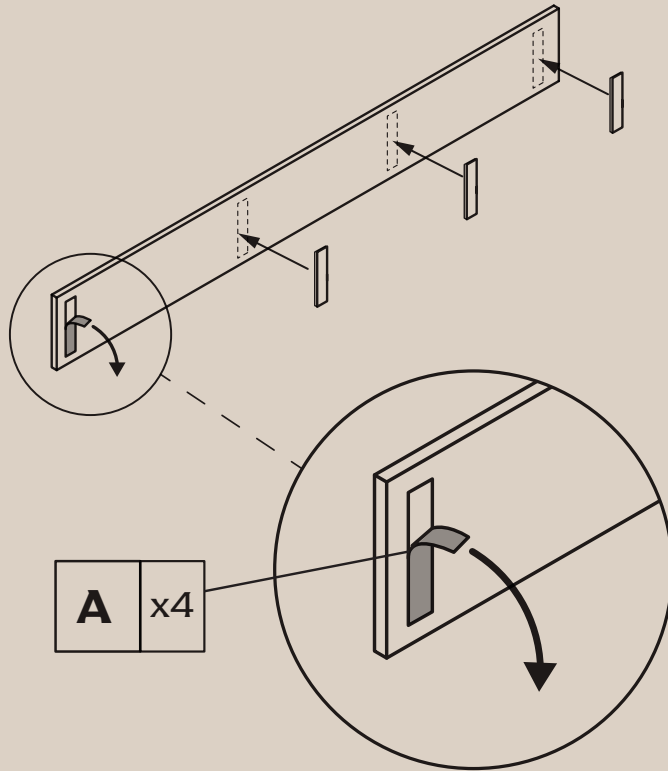


Shack wall

01

A		x 32
1.0		x 8



02

