

Excel 6 Way Vert PDU 6x UK Socket UK Plug

Item Code: D13-6-EXL

excel
without compromise.



✕ Comprehensive choice of sockets

✕ Standard 3m PVC power lead with 13 Amp BS 1363 UK plug

✕ Choice of mounting options

✕ Fully shrouded switch

✕ LED indicator to confirm power to the unit

Product Overview

The Excel range of power distribution units are designed for installation and use within 19" networking cabinets and enclosures. Each unit comprises a high quality aluminium extruded housing into which are loaded up to 12 sockets.

In this particular range each socket is UK style, manufactured in accordance with the BS1363 standard, the 3 metre input lead is terminated with a 13Amp rated 3 pin BS1363 plug top. The sockets are mounted at a 45° angle on the vertical PDUs and a 90° angle on the horizontal PDUs to aid with cable management.

The range of available units includes 19" horizontally mounted, and higher density vertical mounted options, each unit contains a fully shrouded switch to control input power, and a LED indicator to confirm power to the unit.

Product Specifications

Feature	Values
Mounting size	562 mm
Mounting direction	Vertical
Electrical connection	Connecting cord with plug
Type of electric plug connection	British Standard (BS1363)
Cable length	3 m
Number of UK BS1363 sockets	6
Width	44.4 mm
Height	590 mm
Depth	62 mm

Excel 6 Way Vert PDU 6x UK Socket UK Plug



Item Code: D13-6-EXL

Supply voltage	250 V
Surge Protected	no
Switchable	yes
With LED indication	yes
With fuse	yes
With mounting bracket	yes

Additional specifications

Features	Values
Input cable type	3 core 1.5mm cable
PDU Input cable connector	N/A
Rated Voltage	250 V AC 50/60 Hz
Rated current	13 A
Maximum power	3250 W
Unit control	LED indicator. On/off rocker switch
Insulation Resistance	$\geq 5\text{M}\Omega$
Fire resistance	Flame retardant
Operating temperature	-10°C to +45°C
Relative humidity	0% to 90%
Cable entry (horizontal orientation)	Left
Cable entry (vertical orientation)	Top
Socket angle (horizontal orientation)	90°
Socket angle (vertical orientation)	45°
Master Circuit Breaker	NO
Master Switch	Yes
Housing colour	Silver
Housing material	Aluminum

Excel 6 Way Vert PDU 6x UK Socket UK Plug

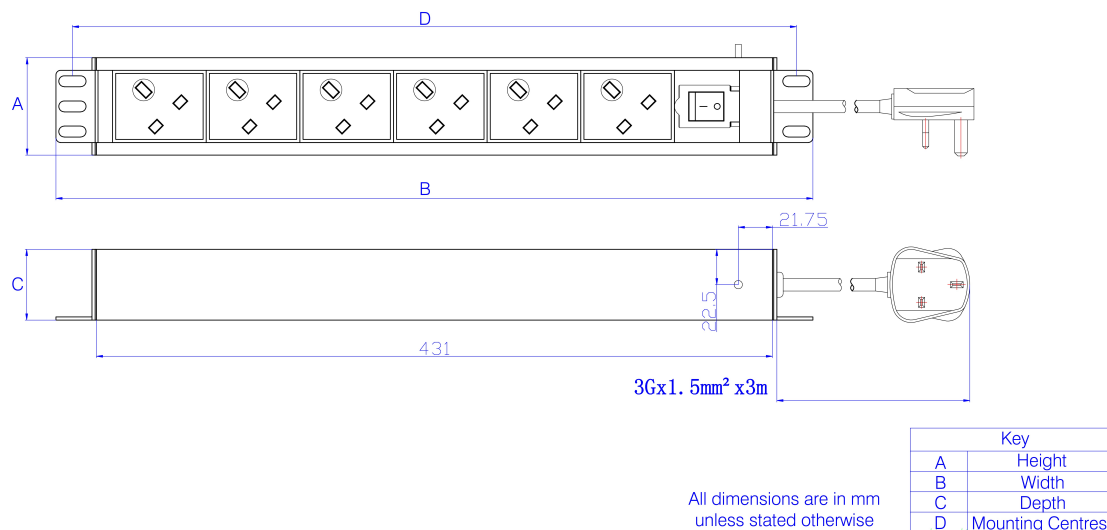


Item Code: D13-6-EXL

Included accessories

Accessories	Quantity
M6 x 4 fixings	x4
user manual	x1
6mm earth cable	x1

Product drawing



Standards

Applicable standard	Detail
RoHS	Compliant to the Restriction of Hazardous Substances
BS 1363-2:1995	13 A plugs, socket-outlets, adaptors and connection units. Specification for 13 A switched and unswitched socket-outlets
WFD	Compliant to Waste Framework Directive
SCIP	Compliant - Does Not Contain Substances of Concern in Products

Item Code: D13-6-EXL

Part Number Table

Part Number	Description
D13-10-EXL	Excel 10 Way Vert PDU 10x UK Socket UK Plug
D13-12-EXL	Excel 12 Way Vert PDU 12x UK Socket UK Plug
D13-4-EXL	Excel 4 Way Vert PDU 4x UK Socket UK Plug
D13-4H-EXL	Excel 4 Way Horiz PDU 4x UK Socket UK Plug
D13-5-EXL	Excel 5 Way Vert PDU 5x UK Socket UK Plug
D13-5H-EXL	Excel 5 Way Horiz PDU 5x UK Socket UK Plug
D13-6-EXL	Excel 6 Way Vert PDU 6x UK Socket UK Plug
D13-6H-EXL	Excel 6 Way Horiz PDU 6x UK Socket UK Plug
D13-7H-EXL	Excel 7 Way Horiz PDU 7x UK Socket UK Plug
D13-8-EXL	Excel 8 Way Vert PDU 8x UK Socket UK Plug

Excel is a world class premium performing end to end infrastructure solution designed, Manufactured, supported and delivered without compromise.

Contact us at sales@excel-networking.com



E&OE. Excel is a registered trade name of Mayflex Holdings Ltd.