

Universal Projector Mount

Aluminum Tube. Tilt and Rotate

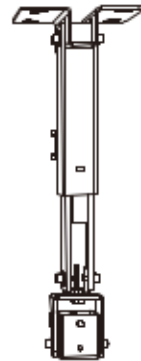
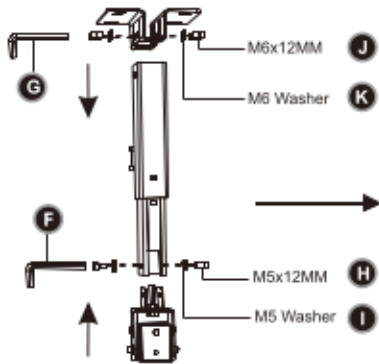
A	M4x8 X4	F	D6 X4	C	Hexagon Screw M5x12mm X6
B	D6 X4	G	L-Bracket D5 X1	D	D5 X6
C	M6x50 X4	H	L-Bracket D6 X1	E	Hexagon Screw M6 X4
D	8x40 X4	I	D6 X4		

No.AR-52-010
No.AR-52-011
No.AR-52-012

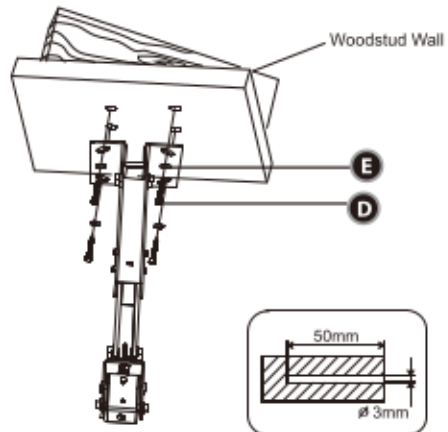
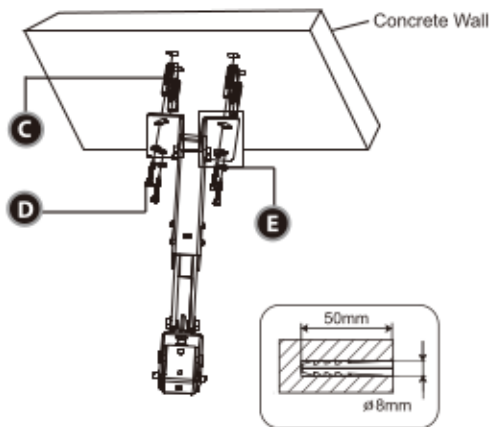
Tools Needed for Installation



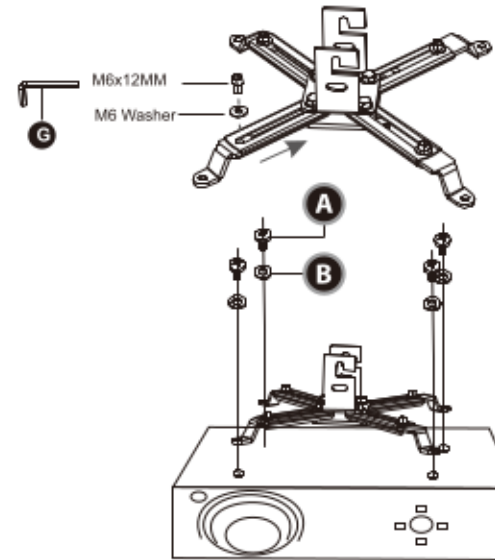
STEP 1



STEP 2



STEP 3



MAXIMUM WEIGHT CAPACITY

STEP 4

