

Trike User Manual



Warning

Please, pay attention to the following safety advice, in order to enjoy a safe riding experience:

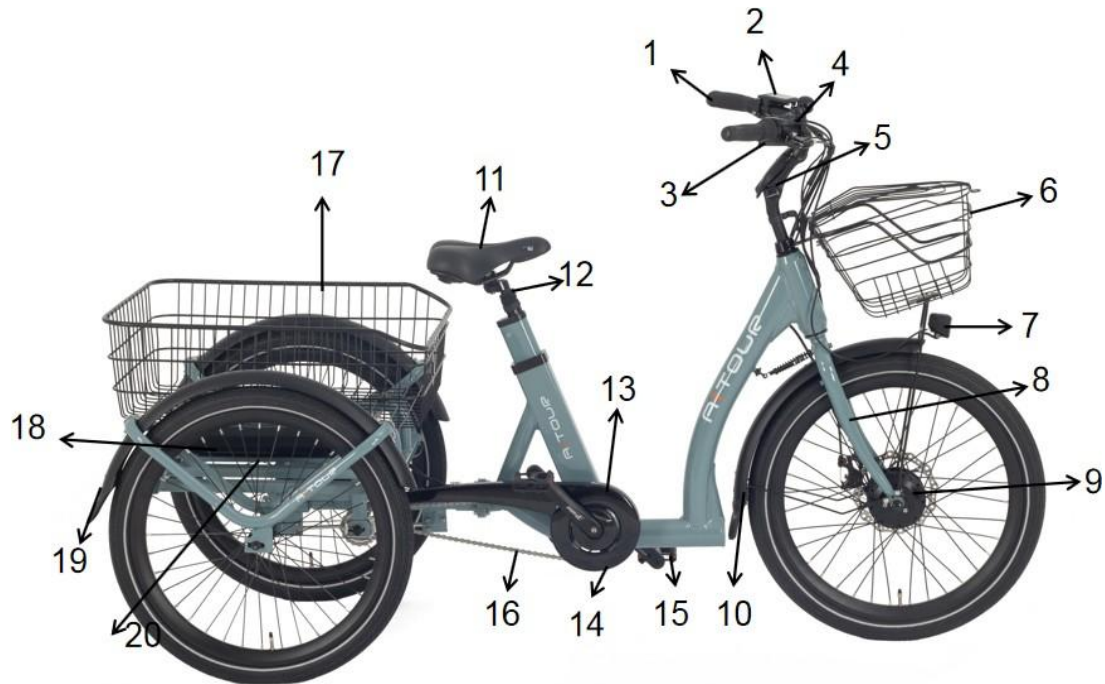
- Wear an approved helmet, which meets local standards. Obey local road rules when riding on public roads.
- Charge your batteries fully before using it. Please charge the battery 8-10 hours for its first charge.
- Read this User Manual carefully, and check if the vehicle is in perfect working condition before riding.
- Do not exceed more than 120 KG load on the bicycle.
- In order to insure the battery's lifespan, a charge should be done after battery is completely discharged.
- This vehicle can run normally, as long as the water level does not exceed the center of the electric motor or the bottom of the controller box, at the risk of water infiltration it will cause short circuits, damages and accidents.
- In order to reduce power consumption and extend the battery lifespan, use the pedals to support the motor during climbs.
- After receiving the E-bike, please keep the keys separate, otherwise you need to exchange the whole battery if you lose all keys

Index

Warning-----	2
Index-----	3
Parts Description -----	4
Front Wheel Installation Notes -----	5
How to Ride -----	5
Battery Charging -----	6
About charging -----	7
Use of Swing function-----	8
About Riding -----	9
Basic Maintenance -----	10
How To Use The LCD Display -----	11
Motor Information -----	12-13
Diagnose And Troubleshooting -----	14
Useful Tips -----	15

Parts Description

In the following paragraph you will see generic images e bikes, which will cover most Common on parts found on modern e bikes. These may not be directly relevant to your model



1	Handlebar	6	Front carrier	11	Saddle	16	Chain
2	Display	7	Front light	12	Seat post	17	Rear carrier
3	Break lever	8	Front fork	13	Chain cover	18	Battery
4	swing lock	9	Motor	14	Crank	19	Rear fender
5	Stem	10	Front fender	15	pedal	20	Reflector

Front Wheel Installation Notes

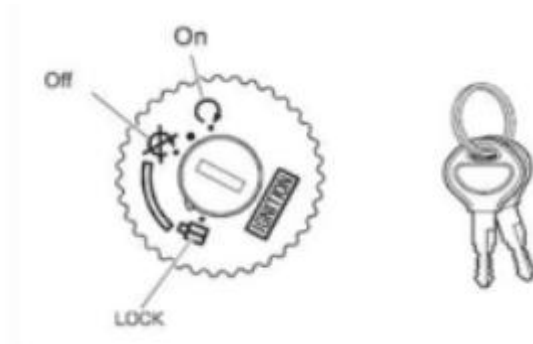
This picture shows how to install the front wheel into the front fork.



How To Ride

How To Start UP The Vehicle

Insert key, press and turn it on the ON position. At this point the charge indicator light will turn on, indicating that the vehicle is powered on.



Battery Charging

Charging Method

The vehicle battery must be recharged when the power level is running low. You can charge the battery, either assembled or removed from the vehicle. Please take proper attention to the following charging methods:

1. Unlock the battery case with the key at its base
2. Pull the bottom of the battery box to remove the battery.

Duration Of Charging

1. When the input and output terminal are connected, the red indication light of the charger will be turned on, showing that the power is being connected.
2. When the battery is charged for the first time, 8-10 hours should be taken for charging. When the green indication light of the charger is turned on, showing that the battery is full and it will switch to trickle charge mode to ensure that over-charging will not occur, it takes 5-7 hours for normal charging.
3. This charger has a protection device to avoid over-charging. Long time charging should not be more than 10 hours if possible but if charged for longer no damage will occur
4. Please fully charge the battery at least once every two month when the E-bike is not in use.

About Charging

Charging The Battery

1. When the battery is removed, do not touch the “+” and “-“ contacts, especially with wet hands or metallic objects.
2. Do not charge the battery with other chargers.
3. Always be sure it is safely stored/placed so that it cannot suffer damage from a fall / impact.
4. Place the charger on a flat, secure place, and connect the output plug(48V/36V terminal) to the socket in the battery box.
5. Connect the input plug(110V/220V terminal) to the power outlet, and the charging will start.
6. After the charging has been completed, first unplug the input plug.
7. Switch off the power and remove the key when the battery is charging on the bike.
8. If you notice a strange smell coming from the charger, or it is too hot, please stop charging, and contact us or your dealer.

Use of Swing Function

Attentions:

1. Tricycle beginners do not recommend using this function.
2. The maximum speed when turning corners is prohibited above 13 km/H.
3. If you need to use this function, make sure to turn the swing lock on for some distance before turning.
4. Please remember to turn off the swing function after use.

Swing method:



The swing lock is near the Grip as the picture shows.

1.How to turn on the Swing function:



Turn the Swing lock counterclockwise, swing function is turned on.

(Attention: please make sure to turn the swing lock on for some distance before turning).

2.How to turn off the Swing function:



Turn the Swing lock clockwise, swing function is turned off.

(Attention: You have to stop the tricycle before turning this function off).

About Riding

Important Tips When Riding

1. Do not push the shifter too fast. The vehicle should accelerate slowly, reducing consumption and risk of damage to the electrical system. It's better to use the pedals to support the motor during difficult road conditions.
2. To increase safety and reduce power consumption, it is advised to avoid sudden stops and start-ups.
3. The vehicle controller has a charge overload protection. If the bike is overload energy will be cut automatically and restored when it returns to normal after restarting.

Important Tips When Parking

1. When pushing the vehicle manually, turn off the power, to avoid accidental acceleration and accidents.
2. It is recommended to park indoors. Do not forget to switch off the power and remove the key.
3. In a public place, the vehicle must be parked in accordance with local traffic rules. Do not forget to switch off the power and remove the key.

Basic Maintenance

For a safe riding experience, please keep your vehicle in perfect condition by maintenance and washing regularly .

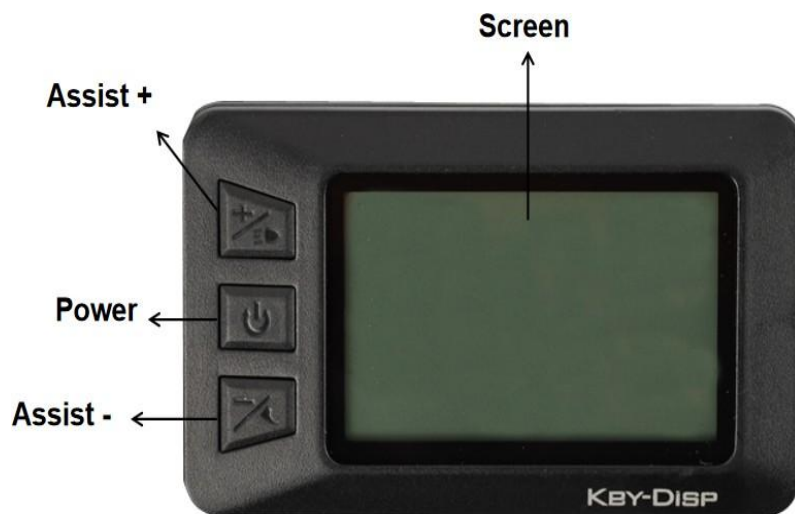
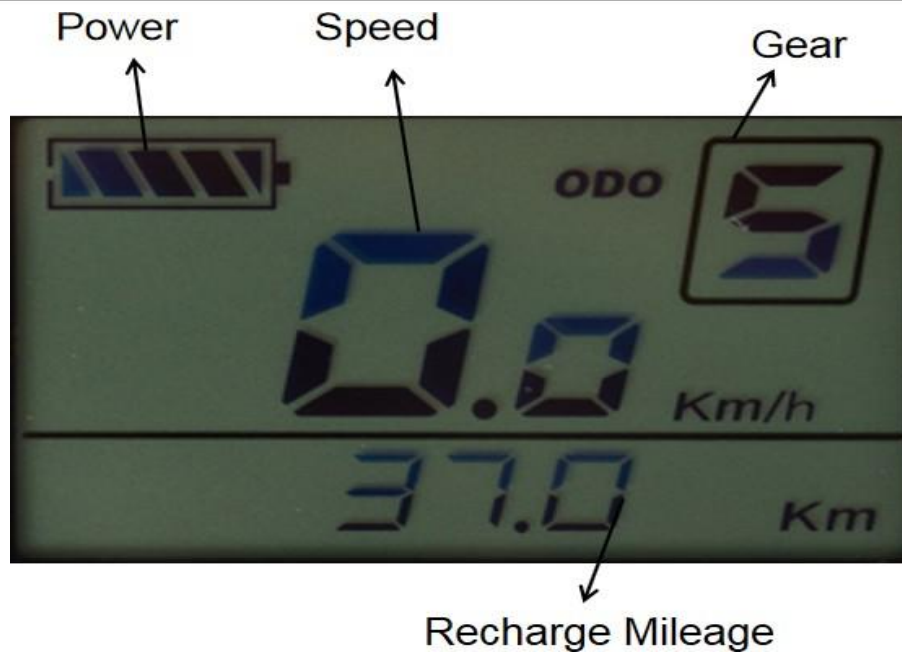
Regular Maintenance Checks

1. Tightening and correct operation of wheels, frame and front fork.
2. Tyre pressure and surface.
3. Motor and LCD Display system is working correctly.
4. Check bell, reflectors and lights.
5. Brakes(including pads, discs, levers and fluid levels (hydraulic option only)
6. When not being used for prolonged periods, charge the battery at least every two month.

Maintenance And Cleaning Tips

1. DO NOT use pressure washers when cleaning. (Risks damage to electrical circuit)
2. Dirt should be removed with hot soapy water and a soft cloth.
3. Lubricate the chain after washing.
4. DO NOT apply lubricant to any part of the brakes, wheel rims, tires, battery or motor controller.

How To Use The LCD Display



Light:

Press assist "+" for two seconds, the screen light on.

Press assist "+" for another 2seconds, the screen light off.

Walk assist: press assist "-" for 2seconds, the bike can be moved by walk, speed at

6km/h

Level: Our motor has 5levels, it can be adjusted by assist+/-, level 5 is the strongest, level 1 is the lowest

Press assist "+" to higher level of motor

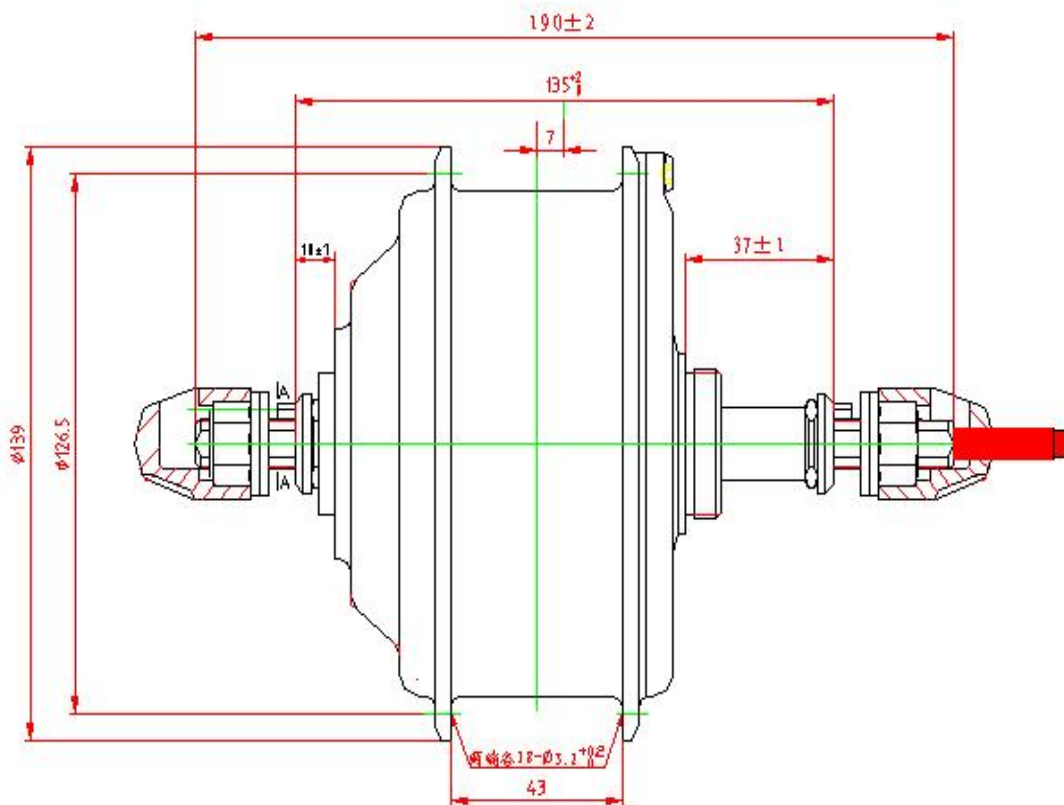
Press assist "-" to lower level of motor

Motor Information

Attentions:

- 1..Inner gear of motor is self-lubricating, no maintenance required.
- 2.Motor waterproof grade is Ip54 and rainproof. The motor should never be submerged fully into water.
- 3.Please keep out of direct sunshine or under the required temperature and humidity range (-20°C ~40°C) /Relative humidity: $\leq 90\%$ at 25°C /Atmosphere: altitude $\leq 1000\text{m}$
- 4.To prevent bearings rusting they should rotated once time each month or powered up and operated for 5 minutes freeload.
- 5.Without professional guidance, please never remove the motor.
- 6.Please don't be stored in the rain, water droplets, or harmful gas or liquid.

Drawing:



Technical information:

condition index	non-load	rated loading	max output
speed	220±5 % rpm	220±5 % rpm	170±5 % rpm
current	≤0.8A	≤6A	≥12A (depend on controller)
Torque		6~7N.m	14~15N.m
Output		180W	≥250W

condition index	non-load	rated loading	max output
EFFICIENCY		≥78 %	≥74 %
CONDITION		S1 WORK CONDITION)	S1 WORK CONDITION)

Diagnose And Troubleshooting

For your safety, do regular maintenance and tightening checks. If you find any abnormality, repair immediately.

Symptoms	Possible Causes	Most Common Solutions
No power	(1)Insufficient battery power (2)Faulty connections (3)Key in wrong position	(1)Charge the battery (2)Clean the connections (3)Turn the key into the correct position
Irregular acceleration And /or reduced top speed	Insufficient battery power	(1)Charge the battery (2)Weld and adjust (3)Take to authorized service center
Reduced range	(1)Low tyre pressure (2)Low or faulty battery charge (3)Riding on too many hills, headwinds, heavy braking , excessive load (4)Battery discharged for long period of Time without regular charges, aged or damaged.	(1)Adjust the tire pressure (2)Check the connections and /or fully charge the battery (3)Use more pedal assist (4)Replace the battery (5)Make a prolonged battery charge
The battery will not accept charge	(1)Charger not correctly connected (2)Fuse blown in battery box (3)Battery wiring disconnected or faulty connection	(1)Re connect charger (2)Replace the fuse (3)Reconnect/repair the wiring
Noise from drive system	(1)Damaged motor bearing (2)Bent or misaligned rim	(1)Replace the faulty bearing (2)Adjust /replace the rim
When powered on, the motor doesn't work	(1)Loose wiring (2)Loose or damaged motor wiring plugs	(1)Repair and/or reconnect (2)Solder and adjust (3)Take to authorized repairer

Useful Tips

1.This user manual is only to explain the vehicle's use and functions

2.The images shown may differ from the actual model presented

3.We reserve the right to change the model without prior notice due to technical improvements

4.This vehicle has a top speed limiter. For security reasons,its removal is strictly prohibited