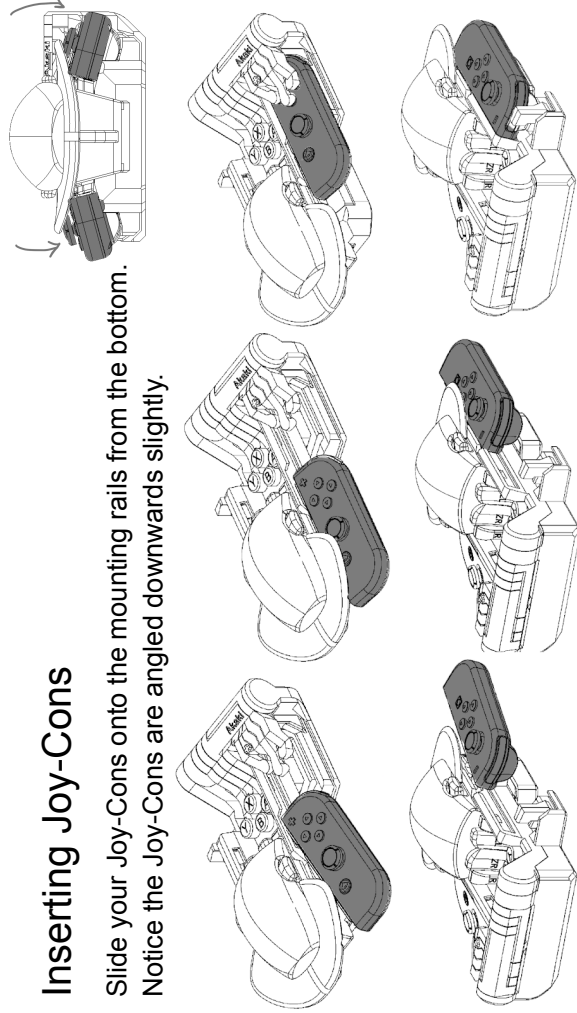
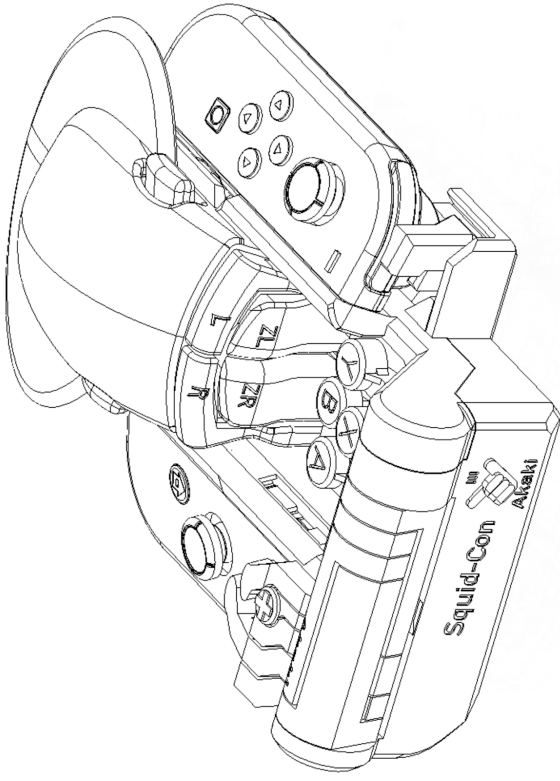


# Squid-Con

A one-handed adapter for Nintendo Switch Joy-Con

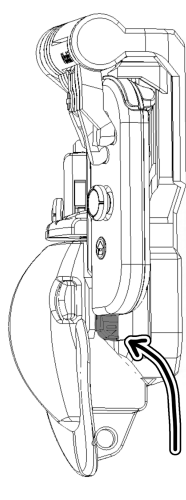
Instructions manual

Akaki Kuumeri | Akaki Controllers | akaki.co | v1.0



## Inserting Joy-Cons

Slide your Joy-Cons onto the mounting rails from the bottom. Notice the Joy-Cons are angled downwards slightly.

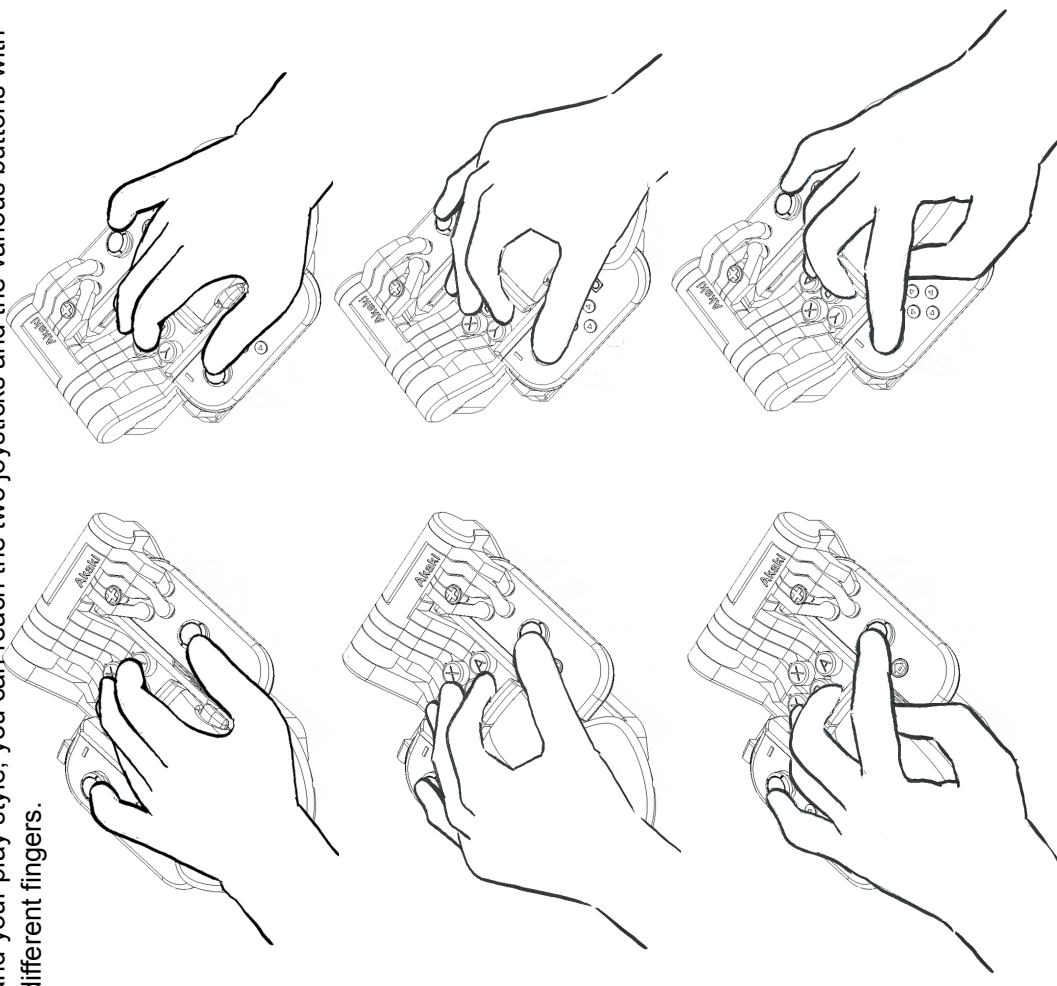


## Ejecting Joy-Cons

Push and hold the eject button, and slide the Joy-Con backwards.

## How to use

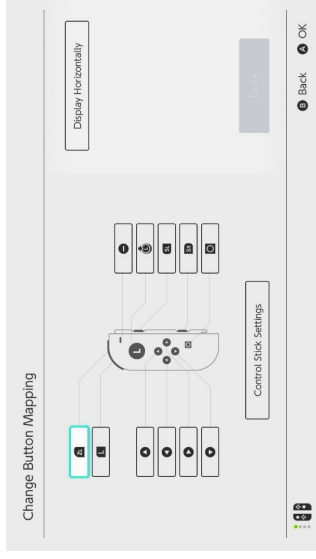
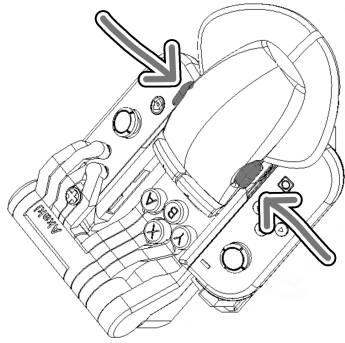
The Squid-Con can be used with either left or right hand. The palm grip is designed to be easy to hold in a few different poses. Depending on the game and your play style, you can reach the two joysticks and the various buttons with different fingers.



## Extra buttons

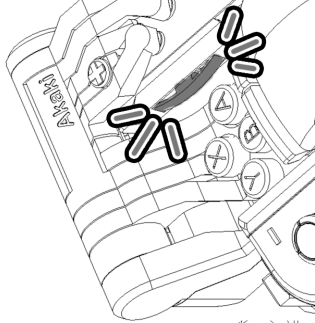
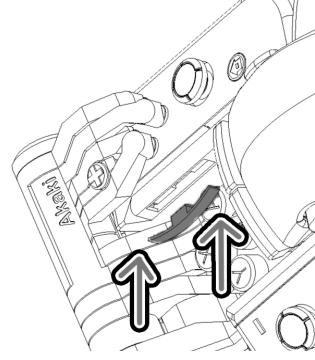
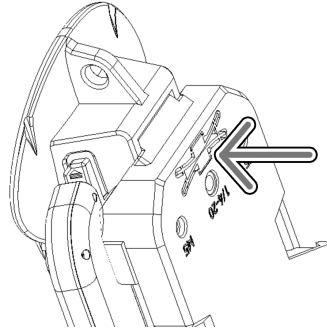
The buttons on the side of the palm grip hit the SL and SR buttons on the two Joy-Cons. Use your Switch settings to assign these buttons to your desired input. The left button hits SL on the **right** Joy-Con. The right button hits SR on the **left** Joy-Con.

**System Settings** → **Controllers and Sensors** → **Change Button Mapping**



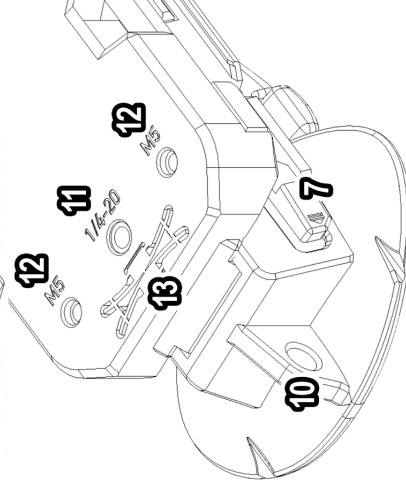
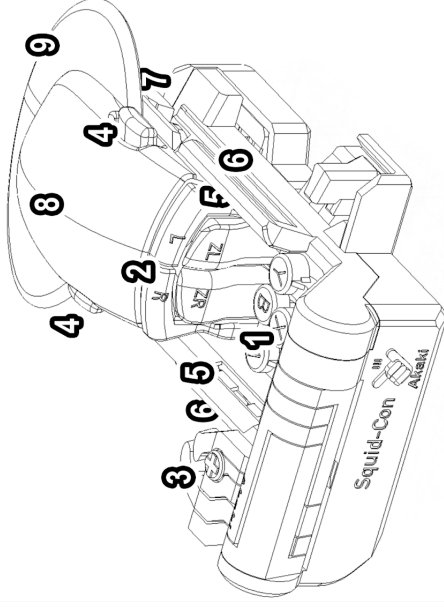
## Extra extra buttons

If you need even more buttons, the device comes with two hidden buttons that can be installed. Please note that they are small and not as ergonomic as the other buttons. Push on this spot underneath the device, and cut the plastic to release two springy components. Insert them into the slots near your face buttons. The buttons hit the two remaining SL and SR buttons on your Joy-Cons.



## Components

1. ABXY face buttons
2. L, ZL, ZR, R shoulder buttons
3. Plus button
4. Extra SL SR side-buttons
5. Extra extra SL SR slots
6. Joy-Con mounting rail
7. Eject button
8. Palm grip
9. Wrist rest
10. Hole for lanyard etc.
11. Tripod mount
12. AMPS mount
13. Extra extra SL SR buttons in storage



## Accessories

- Foam feet
- Instructions manual

## Mounting

The bottom of the device has a tripod thread and an AMPS mounting system. For the tripod mount, use a 1/4"-20 UNC thread.

For the AMPS mounting system, use bolts with an M5 thread.

## Notes

Do not leave the device in direct sunlight or a hot car. The plastic parts may deform.

Do not overtighten the mounting screws.

Contact Akaki if you have questions or comments :)