

WCW-1

Two outdoor wireless products with directional antennas that can be configured for three different modes of operation

WCW-1 Product Specifications

Standard	IEEE802.11b/g/n
Frequency	2.4GHz-2.484GHz
Wireless data rate	300Mbps
WAN	1 port, 10/100Mbps
LAN	1 port, 10/100Mbps
PoE Power	24V POE, 500mA
Antenna	11dBi directional panel
RF Power	100mW
Antenna power	31dBm EIRP
Lightning Level 1	Common mode: ±4KV;
Lightning Level 2	Differential mode ±2KV
ESD Level	Contact: ±6KV, Air: ±8KV
PTP Distance	> 1KM
Operation Mode	Client or Host, selectable

WCW-1 Kit Includes:

Wireless units	2 x WCW-1 client/host products with integrated directional antennas
Power supplies	2 x 24V PoE power adapter
Ethernet cables	2 x LAN cable, 30cm
Installation	4 x Mast mount straps

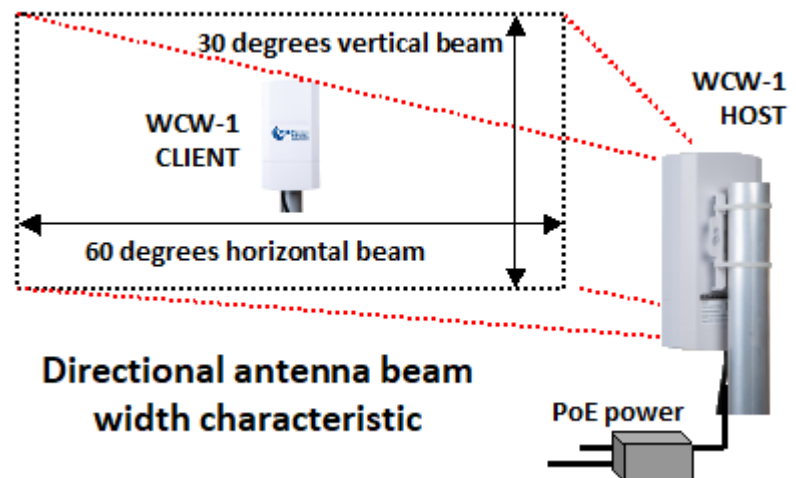
The outdoor Ethernet cable that connects the WCW-1 to the Power over Ethernet (PoE) supply is not included.



WCW-1 pole-mounting installation

The WCW-1 is a kit of two wireless products where each can be configured as a host or a client to implement three network configurations. Point to point communications exceeds 1Km distant with line of sight between the antennas.

The WCW-1 high-performance product is affordable, robust and very reliable with 100Mb/s data speed that integrates with any network product. Self-installation and configuration is easy with simple instructions provided in English and Spanish.



For more information about Wispzone wireless network products please call 1-786-358-5406 or write to: info@wispzone.com.

WCW-1 product configurations

The kit contains two WCW-1 products that can be configured as shown.

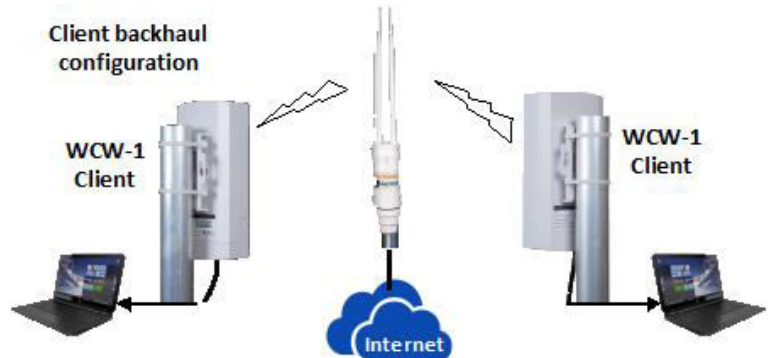
Configuration 1: A point-to-point wireless link.

Configure one WCW-1 as a Host and the other as a Client. Install the Host then configure the Client to connect to the Host



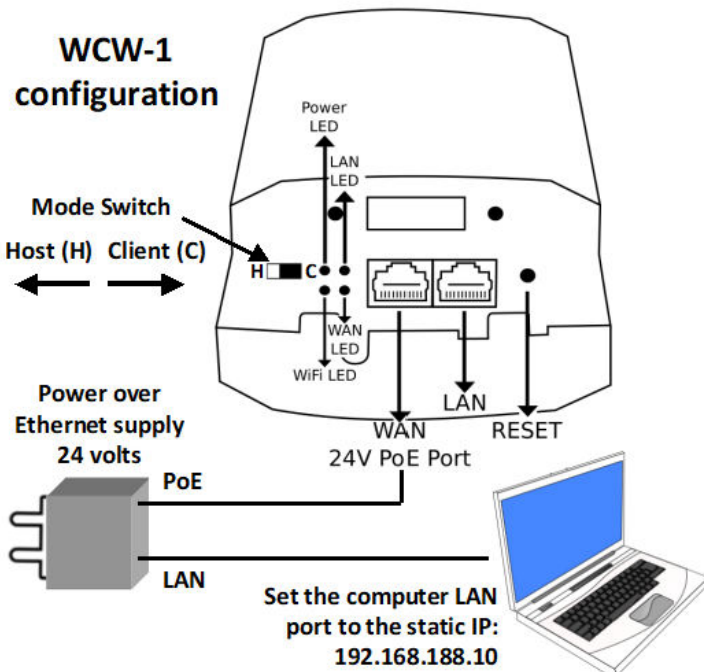
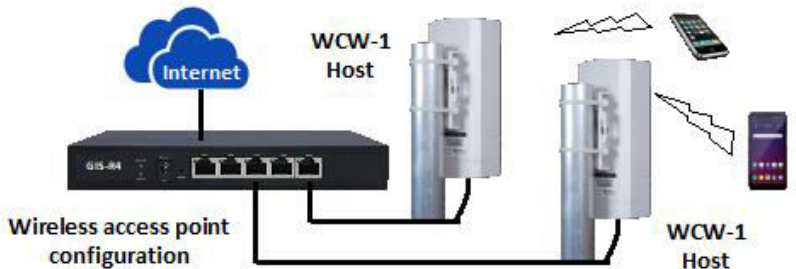
Configuration 2: Two Client premise equipment (CPE) configurations.

Configure both WCW-1's as Clients. Configure each Client to connect to the point-to-multipoint wireless access point.



Configuration 3: Two Host wireless access point (WAP) configurations.

Configure both WCW-1's as point-to-multipoint wireless access point Hosts with or without encryption for hotspot applications. Devices can connect to the Hosts.



WCW-1 Connectors, controls and configuration

Each WCW-1 can be configured as a Host (H) or a Client (C). The Host configuration is a point-to-multipoint wireless access point. The Client configuration is for a client premise equipment (CPE) application.

The Host or Client mode is selected using the switch shown in the diagram. When the mode has been selected then the configuration has to be made by selecting the parameters for that mode.

To configure the WCW-1, connect the computer LAN port to the PoE supply LAN port with an Ethernet cable. Using the operating system utility, change the LAN port setting to a static IP address: 192.168.188.10. Verify that the WAN LED is lit on the WCW-1.

Both Host and Client configurations use the same setup configuration.