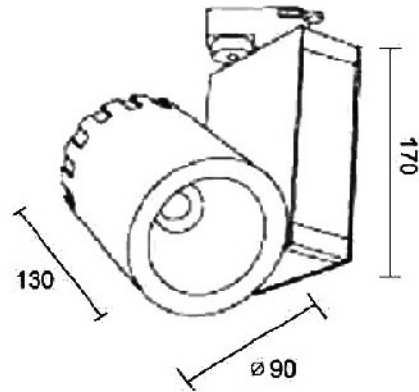


Type	
Project	
Catalog No.	

*Measurement in mm



DESCRIPTION

Low to medium power LED track lighting fixture designed for retail applications replacing halogen and metal halide fixtures. Three beam angles available, one as tight as 12° to focus on objects of interest in the retail environment.

FEATURES

- Quick lock track adapter attached mechanically and electrically anywhere along the track
- Discrete locking tab allows for quick and easy removal
- Die cast aluminum housing incorporates lamp control circuitry
- Luminaire arm allows lamp to be adjusted + - 90° in the vertical plane and 359° in the horizontal.
- LED COB light engine with 3 discrete beam angle options simulating the look of halogen
- High CRI of 82-93
- Efficient thermal management allows lumen maintenance well beyond 50,000 hours
- cULus listed

SPECIFICATIONS

Input Voltage	120-277 VAC (universal)
Wattage	23W / 30W
Colour Temp	2700K / 3000K / 4000K / 5000K
Dimming	Triac or 0-10V
Lumen Output	2100 lm / 2600 lm
CRI	>82; 93 optional
Beam Angle	24° / 60°
Power Factor	0.9
Lamp Life	>50,000 hours
Environment	IP20
Certification	cULus
Warranty	5 years - see published warranty terms for details

* Product specifications subject to change without notice.

ORDERING INSTRUCTIONS

MODEL	WATTAGE	COLOUR TEMP	BEAM ANGLE	FINISH	DRIVER
TR-100					
	23: 23W 30: 30W	27: 2700K 30: 3000K 40: 4000K 50: 5000K	24: 24 Deg 60: 60 Deg	BK: Black WH: White SL: Silver	TR: Triac 10: 0-10 V

Example: TR-100-30-40-60-BK-TR = TR-100, 30W, 4000K, 60 degree beam angle, black finish, triac dimming