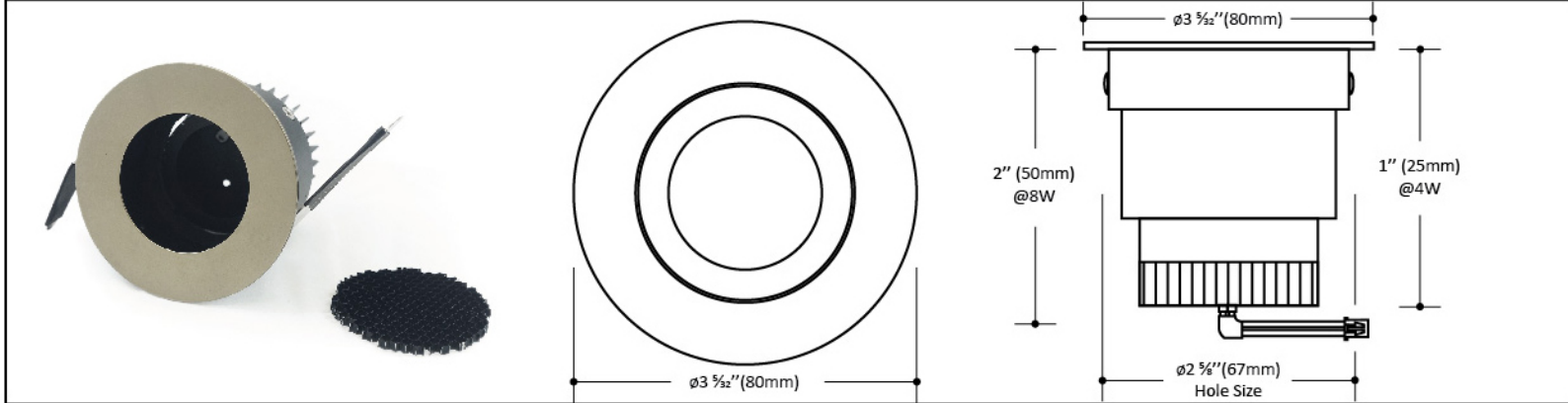


IMAGE & SIZE



DESCRIPTION

- Recessed mounting, high colour rendering fixture
- A cosmetic and optical variant of Gimbal 2, with a highly recessed lens and honeycomb filter to eliminate all glare.
- 20° swivel
- The first with a Single COB LED in 4 CCT
- 3 Beam Angles: 20° / 30° / 45°
- 2 Power outputs: 4W or 8W.
- 8W Version at 800 lumens is truly capable of fully illuminating a display from an 8' height.
- Now with the Revolutionary Constant Voltage Drive (CVD). Allows operation at a simple 24VDC input in either 4W or 8W configurations
- Allows hook up of several Gimbal fixtures to one power supply.
- No more "Hot Plugging" concerns
- No more calculating the Vf for constant current power supplies.

SPECIFICATIONS

Colour Temp	3000K		4000K		5000K	
LED Quantity	1 COB LED					
Input	24VDC					
Wattage	350mA@ 4W / 700mA@ 8W					
Lumen Output	300lm@ 350mA / 720lm@ 700mA		360lm@ 350mA / 800lm@ 700mA		375lm@ 350mA / 820lm@ 700mA	
Efficacy	92 lm/W		102 lm/W		105lm/W	
Beam Angle	20° / 30° / 45°					
Lamp Life	50,000hrs					
Dimensions	ø 3 1/2" (80mm) 4W: 1" (25mm) mounting depth / 8W: 2" (50mm) mounting depth					
Cut-out	ø 2 5/8" (67mm)					
Environment	Dry					
Warranty	5 years - see published warranty terms for details					

* Product specifications subject to change without notice.

ORDERING INSTRUCTIONS

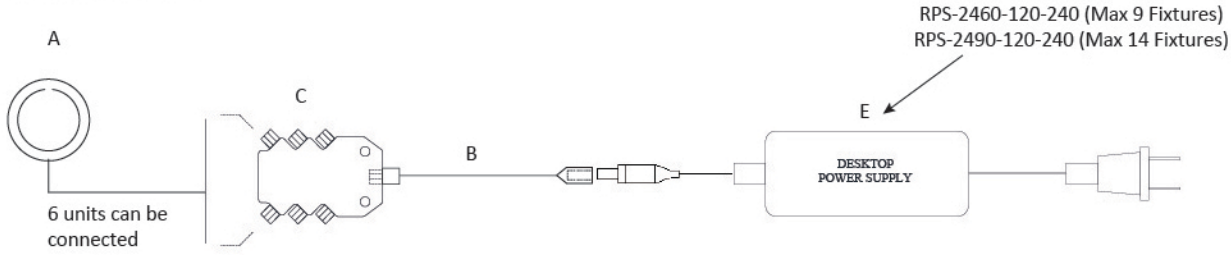
MODEL	WATTAGE	BEAM ANGLE	COLOUR TEMP	FINISH	HONEYCOMB FILTER
30123R	4: 4W 8: 8W	20: 20 Deg 30: 30 Deg 45: 45 Deg	27: 2700K 30: 3000K 35: 3500K 40: 4000K 50: 5000K	BK: Black PL: Polish SL: Silver	Y: Yes N: No

Example: 30123R-4-20-27-BK-Y = 30123R, 4W, 20 degree beam angle, 2700K, black finish, honeycomb filter

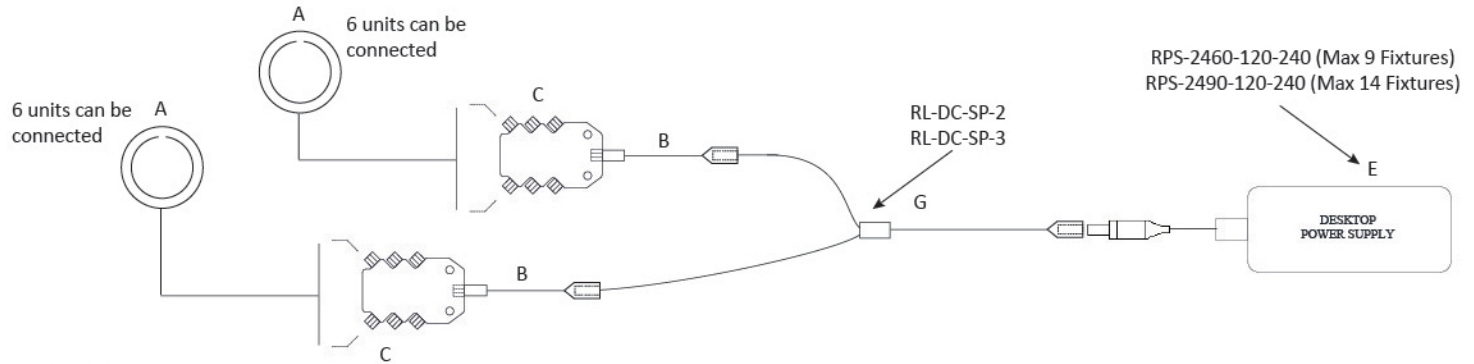
Type	
Project	
Catalog No.	

WIRING DIAGRAM - For reference purposes only. Not for installation. Not to scale.

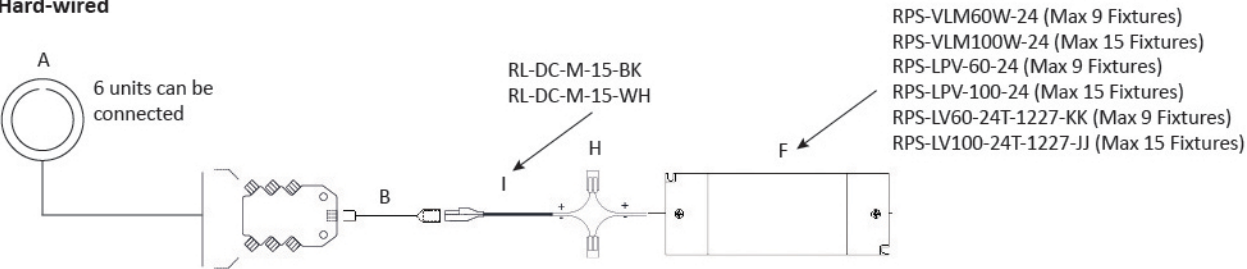
Plug and Play wiring



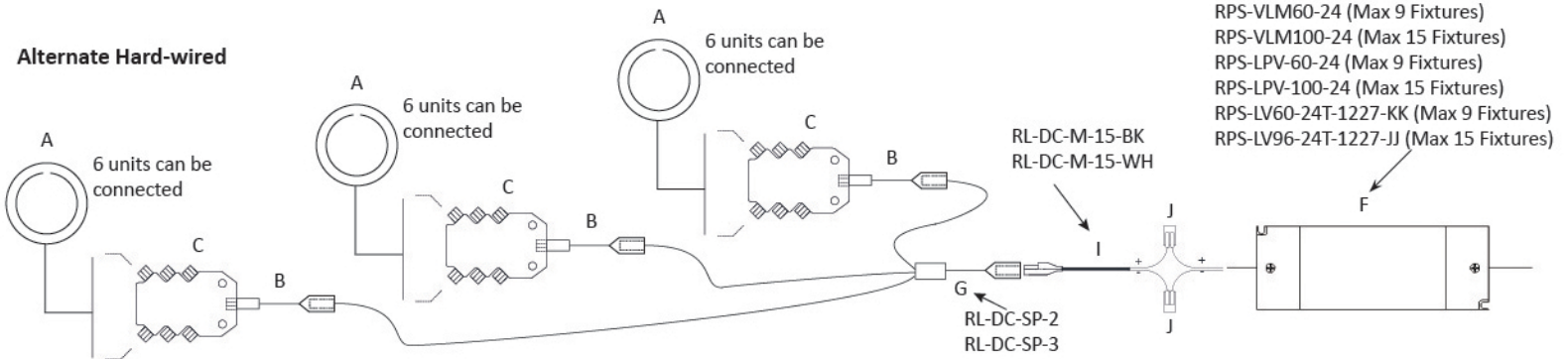
Alternate Plug and Play wiring



Hard-wired



Alternate Hard-wired



Max wiring distance between power supply and fixture is 20 feet (6m). Up to six fixtures can be wired to a single distribution box (CV-6SP-1224)

	length	Description		length	Description
A	Gimbal 4		F	RPS-VLM60W-24, RPS-VLM100W-24, RPS-LPV-100-24, RPS-LPV-60-24, RPS-LV60-24T-1227-KK, RPS-V96-24T-1227-JJ	Hardwire power supplies 60W / 96W / 100W
B	Adapter Cable CV-AD100-2-1224	4" (100mm) 4" Adapter harness for plug and play power supply	G	RL-DC-SP-2, RL-DC-SP3	DC barrel connector double / triple splitter Black / White
C	CV-6SP-1224	Constant voltage splitter box 6 port	H	DL-PS-222-412	Wire clamps
E	RPS-2460-120-240 RPS-2490-120-240	PLUG & PLAY Power supplies 60W / 90W	I	RL-DC-M-15-BK RL-DC-M-15-WH	15" DC Plug male