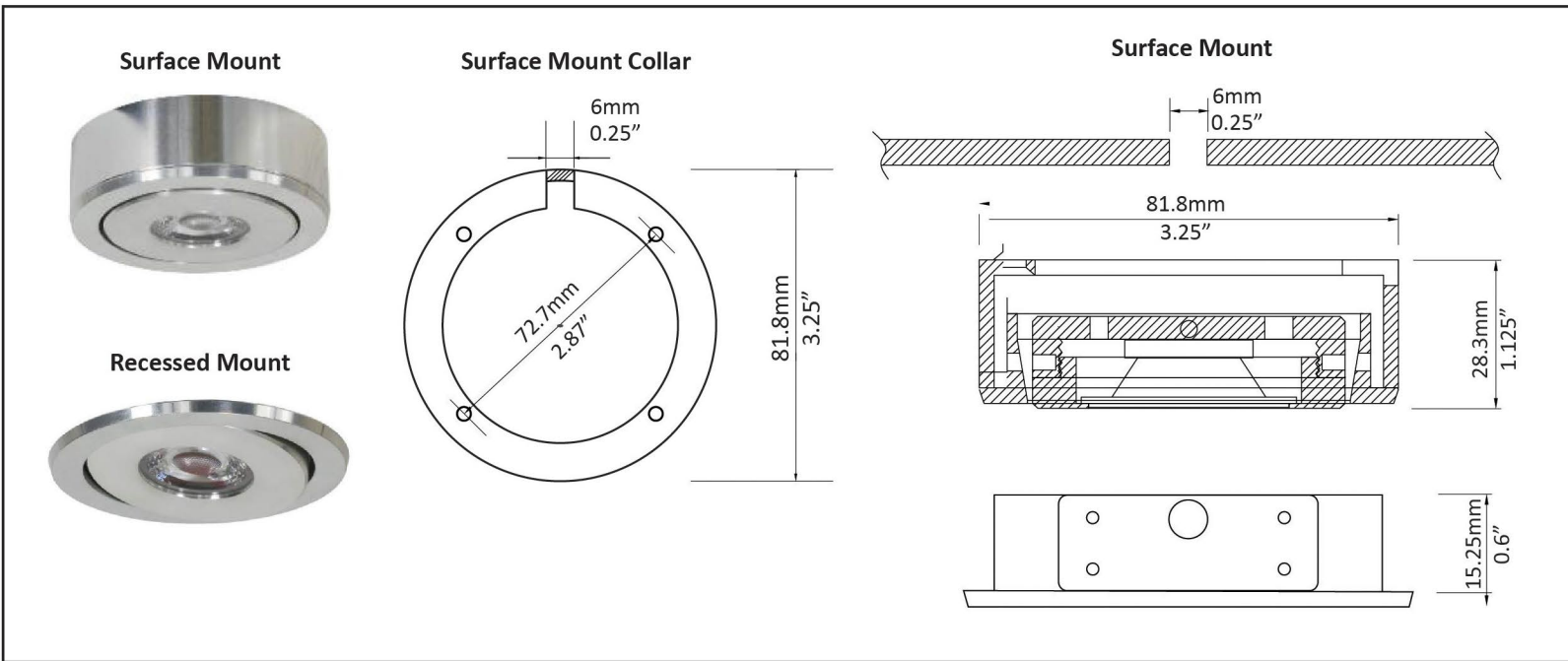


IMAGE & SIZE



DESCRIPTION

- Recessed and surface mounting high colour rendering fixture, designed with adjustable Gimbal.
- A functional variant of Gimbal 2, allowing both recessed and surface mounting capability (with surface mount aluminum housing sold separately)
- Retains all the features of Gimbal 2
- Beam Angle: 40°
- 6W output @ 24VDC and CVD (Constant Voltage Drive)
- 6W Version @ 610 lumens is truly amazing at its price point

SPECIFICATIONS

| Colour Temp | 3000K | 4000K | 5000K |
|--------------|--|----------|---------|
| LED Quantity | 1 COB LED | | |
| Input | 24VDC | | |
| Wattage | 6W | | |
| Lumen Output | 540lm | 610lm | 620lm |
| Efficacy | 90 lm/W | 102 lm/W | 103lm/W |
| Beam Angle | 40° | | |
| Lamp Life | 50,000hrs | | |
| Dimensions | ø 3 1/4" (82mm) | | |
| Cut-out | ø3" (76mm) | | |
| Environment | Dry | | |
| Warranty | 5 years - see published warranty terms for details | | |

* Product specifications subject to change without notice.

ORDERING INSTRUCTIONS



R: Recessed
 *S: Surface mount
 * Surface mount housing at an additional cost.

30: 3000K
 35: 3500K
 40: 4000K
 50: 5000K

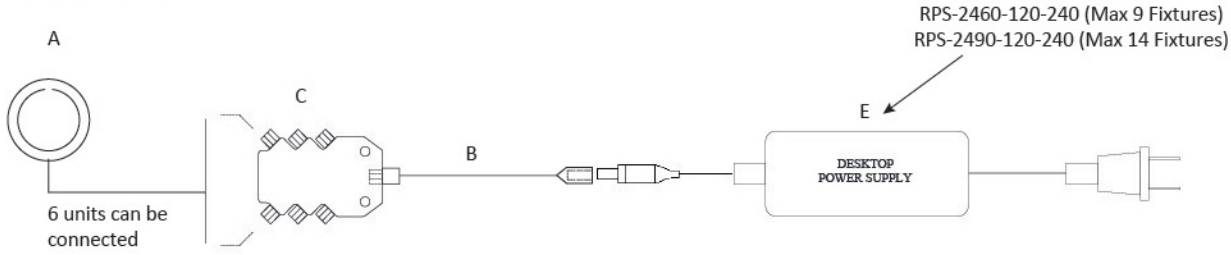
SL: Silver (standard)
 *BK: Black
 *WH: White
 *PL: Polished Aluminum

* Colours are Special Order only

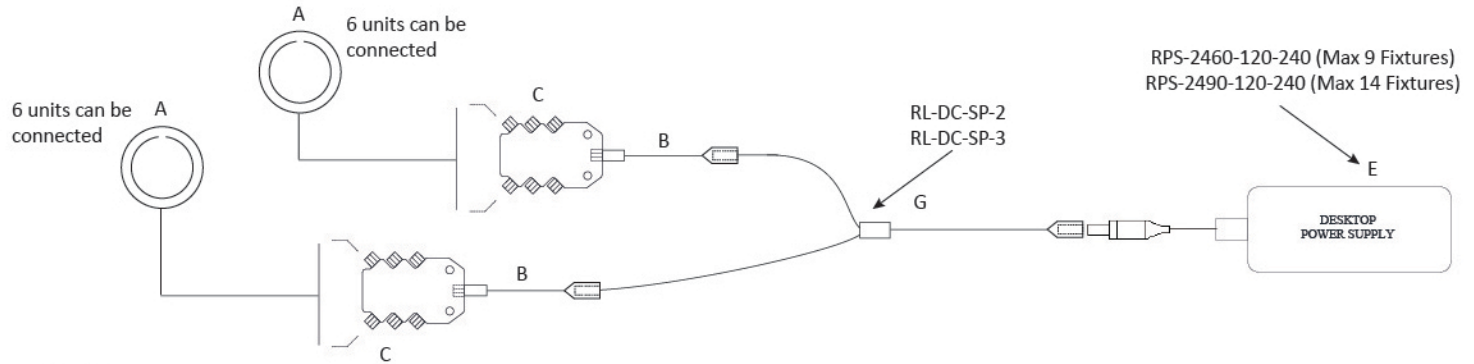
| | |
|-------------|--|
| Type | |
| Project | |
| Catalog No. | |

WIRING DIAGRAM - For reference purposes only. Not for installation. Not to scale.

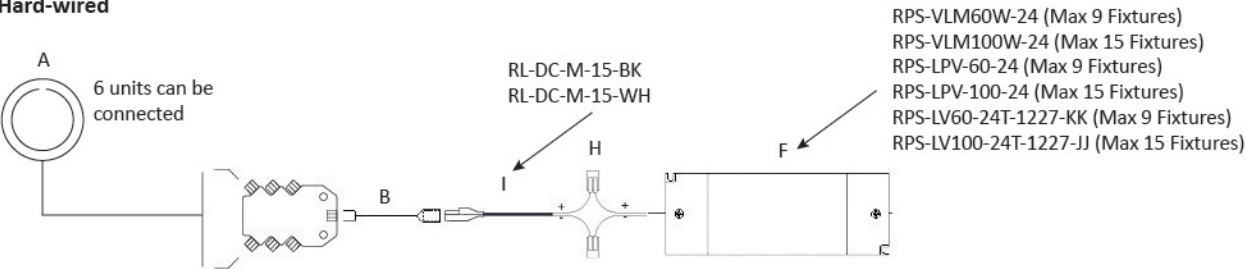
Plug and Play wiring



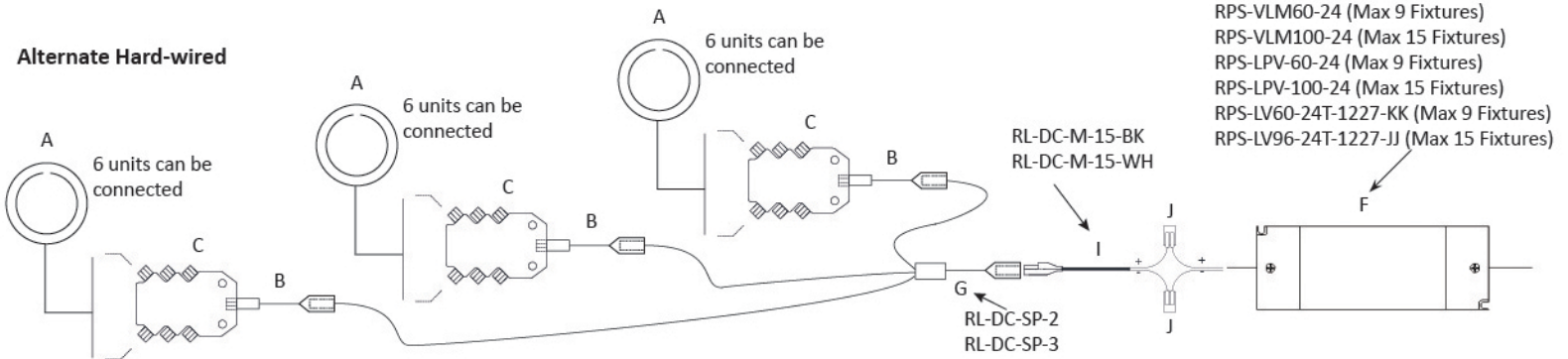
Alternate Plug and Play wiring



Hard-wired



Alternate Hard-wired



Max wiring distance between power supply and fixture is 20 feet (6m). Up to six fixtures can be wired to a single distribution box (CV-6SP-1224)

| | length | Description | | length | Description |
|---|------------|---|---|-------------|---|
| A | | Gimbal 5 | F | | RPS-VLM60W-24, RPS-VLM100W-24, RPS-LPV-100-24, RPS-LPV-60-24, RPS-LV60-24T-1227-KK, RPS-V96-24T-1227-JJ |
| B | 4" (100mm) | 4" Adapter harness for plug and play power supply | G | 15" (380mm) | DC barrel connector double / triple splitter Black / White |
| C | | Constant voltage splitter box 6 port | H | | DL-PS-222-412 |
| E | | RPS-2460-120-240 RPS-2490-120-240 | I | | RL-DC-M-15-BK RL-DC-M-15-WH |