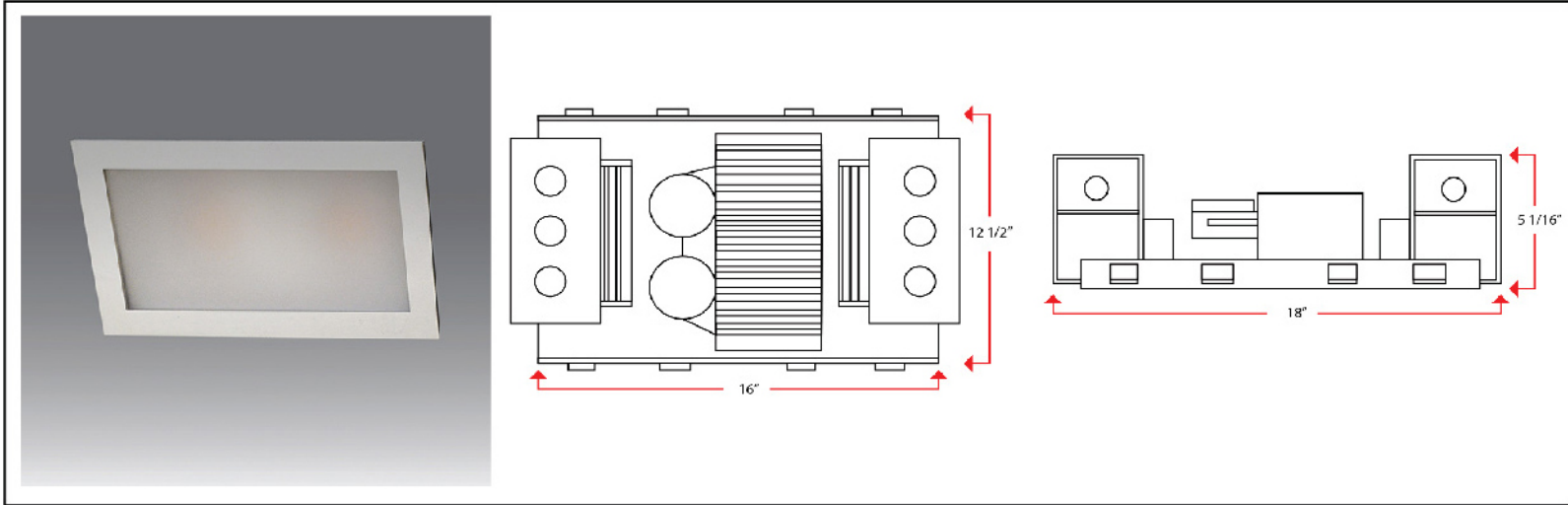


Type	
Project	
Catalog No.	



DESCRIPTION

Designed as a high CRI examination recessed light for medical application. This adjustable fixture delivers over 7600 lumens at >90 CRI with 3 optional beam angles. The light output is delivered by two of the latest generation LED arrays each with a separate power supply to prevent loss of illumination and is completely dimmable with 0-10V dimming controls. This 110W fixture is built with both passive and active cooling systems for the LED arrays ensuring a long life in excess of 50,000 hrs.

FEATURES

- 2 X 55 watt LED arrays, 3000K, CRI > 90
- >7600 delivered lumens
- Three beam angles available
- Proprietary aluminum heat sinks ensuring maximum LED life
- LED power supplies with integral heat sinks suitable for indoor and outdoor use 120-277 VAC input standard
- 0-10 volt dimming standard
- UL and cUL listed for damp locations
- UL listed J-box
- Galvanized plaster frame, junction box with 27" galvanized hanger bars with adjustable butterfly brackets
- Finished with aluminum trim

SPECIFICATIONS

Input Voltage	120-277 VAC (universal)
Wattage	2 X 55W
Colour Temp	3000K / 3500K / 4000K
Dimming	Yes
Lumen Output	>7600 (delivered); 63.9 lm/W (delivered)
CRI	>90
Beam Angle	25° / 32° / 46°
Power Factor	0.98
Lamp Life	50,000 hours
Environment	IP25, indoor, damp
Certification	cULus
Warranty	5 years - see published warranty terms for details

* Product specifications subject to change without notice.

ORDERING INSTRUCTIONS

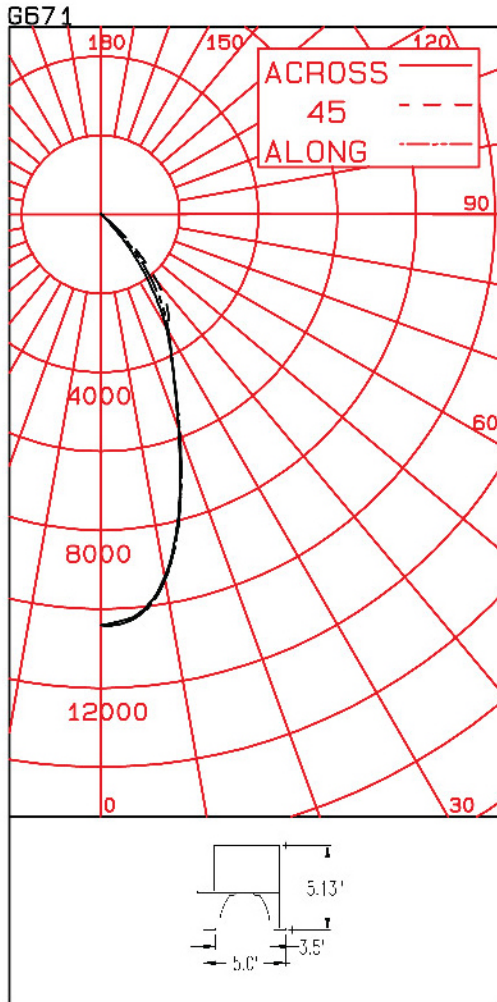
MODEL	COLOUR TEMP	BEAM ANGLE	TAMPER/VANDAL PROOF	TRIM	LENS
L8000-EX	30: 3000K 35: 3500K 40: 4000K	25: 25 Deg 32: 32 Deg 46: 46 Deg	TV: tamper/vandal proof	SL: Silver WH: White	X: 0.125" high impact PC: 0.125" polycarbonate PC2: 0.250" polycarbonate

Example: L8000-EX-30-32-TV-SL-X = L8000-EX, 3000K, 32 deg beam angle, tamper/vandal proof, silver trim, 0.125" high impact lens

Type	
Project	
Catalog No.	

PHOTOMETRICS

REVLITE TECHNOLOGIES 110W LED MEDICAL EXAMINATION LIGHT CAT. NO. L8000EX
 WITH SEMI-SPECULAR REFLECTORS AND CLEAR FRONT LENS
 TWO WHITE ARRAY LEDS. LUMEN OUTPUT = 7623 LMS.
 TWO 120V ELECTRONIC LED DRIVERS



CANDLEPOWER SUMMARY

OUTPUT LUMENS

ANGLE	ALONG 22.5	45	67.5	ACROSS	
0	10411	10411	10411	10411	10411
5	10255	10264	10254	10227	10200 963
10	9411	9418	9406	9377	9336
15	7764	7769	7749	7712	7673 2113
20	5859	5843	5831	5792	5754
25	4372	4360	4359	4324	4325 2021
30	3442	3468	3465	3423	3319
35	2630	2797	2960	2518	2221 1637
40	1731	1953	2220	1507	1162
45	887	1078	1295	579	321 718
50	391	420	496	131	130
55	98	102	89	78	94 114
60	40	41	41	56	76
65	23	23	27	43	61 34
70	13	14	18	33	49
75	5	8	13	25	38 18
80	2	5	9	17	26
85	1	2	3	6	8 5
90	0	0	0	0	0

ZONAL LUMENS AND PERCENTAGES

ZONE	LUMENS	% LAMP	%LUMINAIRE
0-30	5096	66.86	66.86
0-40	6733	88.33	88.33
0-60	7565	99.25	99.25
0-90	7623	100.00	100.00
40-90	889	11.67	11.67
60-90	57	.75	.75
90-180	0	.00	.00
0-180	7623	100.00	100.00

** EFFICACY = 63.9 LMS/WATT **