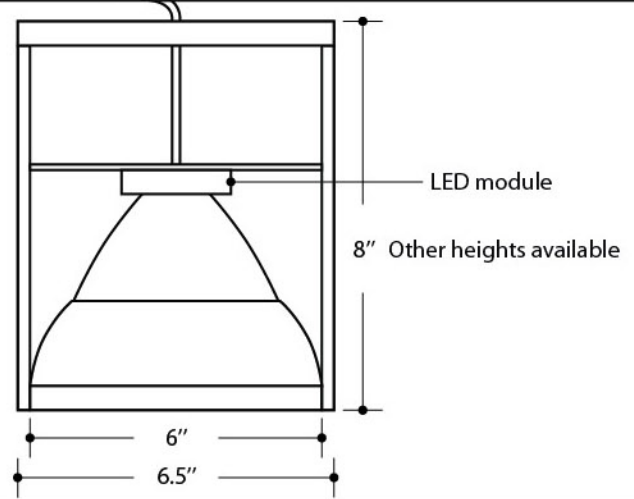


Type	
Project	
Catalog No.	



DESCRIPTION

A rugged multi-functional aluminum cylindrical fixture that may be pendant, wall or ceiling mounted for interior applications. Designed to be fitted with AC LED modules of 20W power outputs for continuous 24/7 use. Available in 3 base colours.

FEATURES

Fixture

- 6.5" diameter extruded heavy gauge aluminum construction for indoor commercial and industrial applications
- Three mounting options available: ceiling mount, pendant mount or wall mount
- Standard cylinder colours are silver, black or white (must be specified when ordering)
- Designed for AC LED modules of 20W

Warranty

- This fixture is covered by 3 years replacement guarantee from date of purchase

Lamp / Electrical

- LED modules 20W of 120VAC input
- Pre-wired at factory for easy installation

Mounting

- Ceiling mount with or without reveal (adjustable), pendant mount or wall mount (hardware included) for mounting to octagonal or rectangular junction box

Labels / Usage

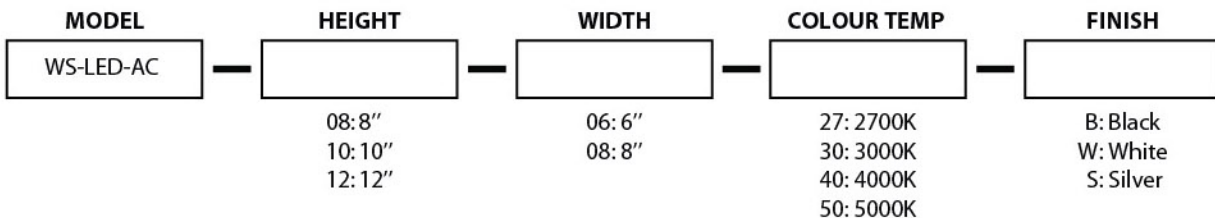
- cULus listed. Suitable for dry or damp locations

SPECIFICATIONS

Voltage	110 – 120 VAC	Input Current	0.1A-0.2A
Lumen Output	2000 lumens	Input Frequency	50/60Hz
Colour Temp	2700K / 3000K / 4000K / 5000K	Fixture Wattage	20W

* Product specifications subject to change without notice.

ORDERING INSTRUCTIONS



Example: WS-LED-AC-08-06-40-B = WS-LED-AC, height of 8", width of 6", 4000K, black finish