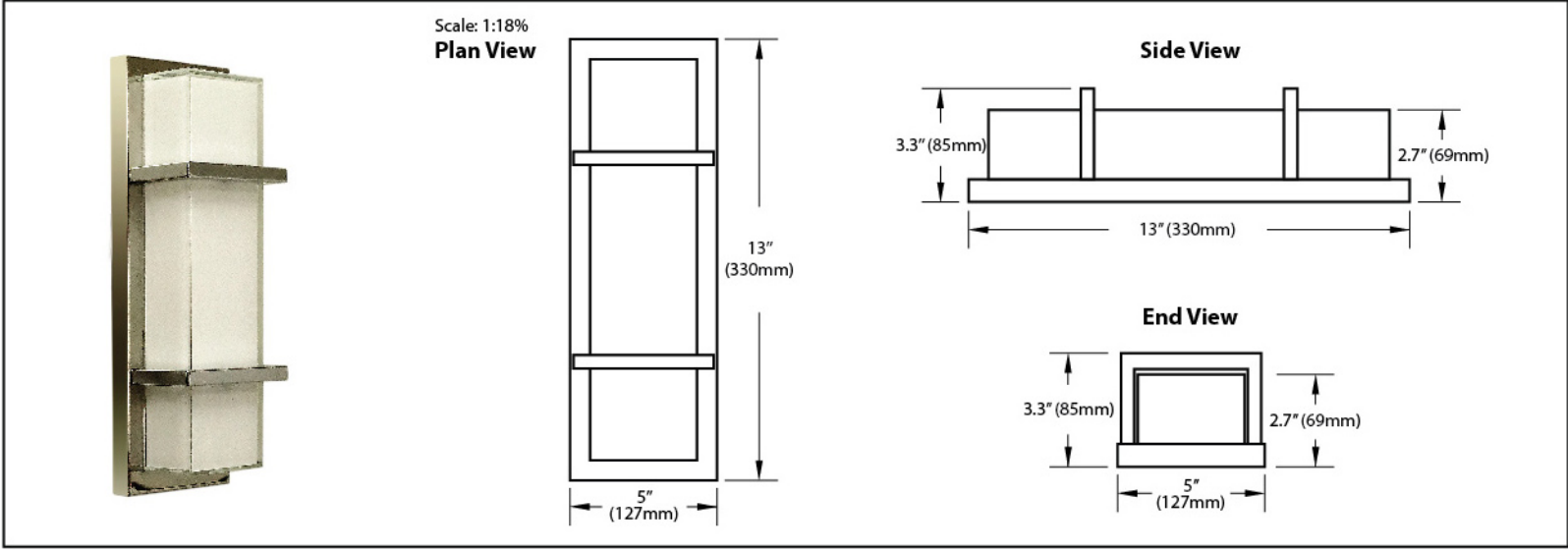


Type	
Project	
Catalog No.	



DESCRIPTION

Designed for new construction and retrofit applications. This 330mm fixed diffuser wall sconce houses direct drive AC LEDs configuration. No driver to fail.

FEATURES

- Mechanical**
 - Housing constructed of 2.0mm thick steel plated for a robust long life luminaire
 - Mounting plate provides direct connection to standard junction boxes
 - UL / CSA certified
- Electrical**
 - 120 VAC input
 - AC LEDs
 - Power consumption: 12W
- Optics**
 - Mitred hardened glass frosted inside
- Listings**
 - Fixture is cULus listed

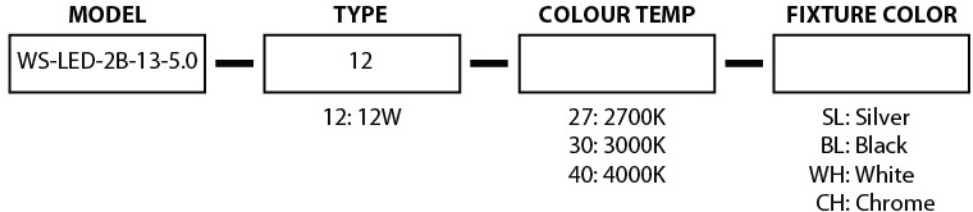
SPECIFICATIONS

Input Voltage	120 VAC (universal)
Wattage	12W
Colour Temp	2700K / 3000K / 4000K
Dimming	Triac
Lumen Output	1080 lumens
CRI	≥ 85
Power Factor	> 0.9
Lamp Life	> 50,000 hours
Environment	IP20
Certification	cULus
Warranty	3 years - see published warranty terms for details

* Product specifications subject to change without notice.

- Warranty**
 - One (1) year warranty against defects in materials and workmanship
 - Warranty period is for 3 years when installed according to Revlite installation instructions and the applicable building codes

ORDERING INSTRUCTIONS



Example: WS-LED-2B-13-5.0-12-30-WH = WS-LED-2B-13-5.0, 12W, 3000K, white fixture color