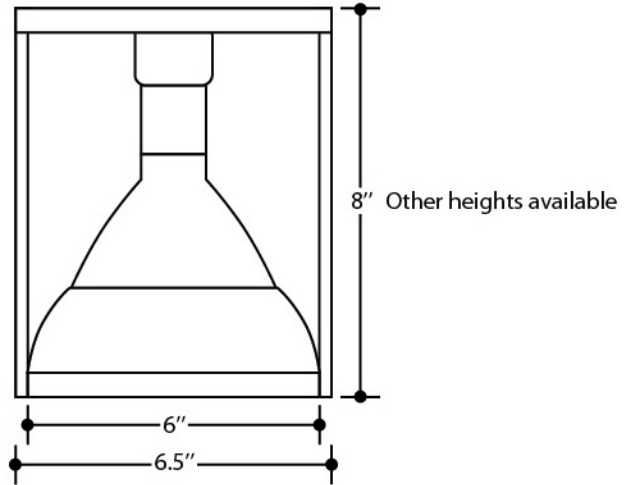


Type	
Project	
Catalog No.	



DESCRIPTION

A rugged multi-functional aluminum cylindrical fixture that may be pendant, wall or ceiling mounted for interior applications. Designed to be fitted with PAR 30/38 LED bulbs from any competent LED bulb manufacturer in an E26 base. Available in 3 base colours.

FEATURES

Fixture

- 6.5" diameter extruded heavy gauge aluminum construction for indoor commercial and industrial applications
- Three mounting options available: ceiling mount, pendant mount or wall mount
- Standard cylinder colours are silver, black or white (must be specified when ordering)
- Designed for LED PAR30 / 38 bulb

Lamp / Electrical

- 12W PAR30 / 38 LED bulb, E26 medium base lamp 110 – 120V
- Pre-wired at factory for easy installation

Mounting

- Ceiling mount with or without reveal (adjustable), pendant mount or wall mount (hardware included) for mounting to octagonal or rectangular junction box

Warranty

- This fixture is covered by 3 years replacement guarantee from date of purchase

Labels / Usage

- cULus listed. Suitable for dry or damp locations

SPECIFICATIONS

Voltage	110 – 120 VAC	Input Current	Varies with LED bulb specified
Lumen Output	Varies with LED bulb specified	Input Frequency	50/60Hz
Colour Temp	2700K / 3000K / 4000K / 5000K	Fixture Wattage	Varies with LED bulb specified

* Product specifications subject to change without notice.

ORDERING INSTRUCTIONS

MODEL	HEIGHT	WIDTH	COLOUR TEMP	FINISH
WS	08: 8" 10: 10" 12: 12"	06: 6" 08: 8"	27: 2700K 30: 3000K 40: 4000K 50: 5000K	B: Black W: White S: Silver

Example: WS-08-06-40-B = WS, height of 8", width of 6", 4000K, black finish