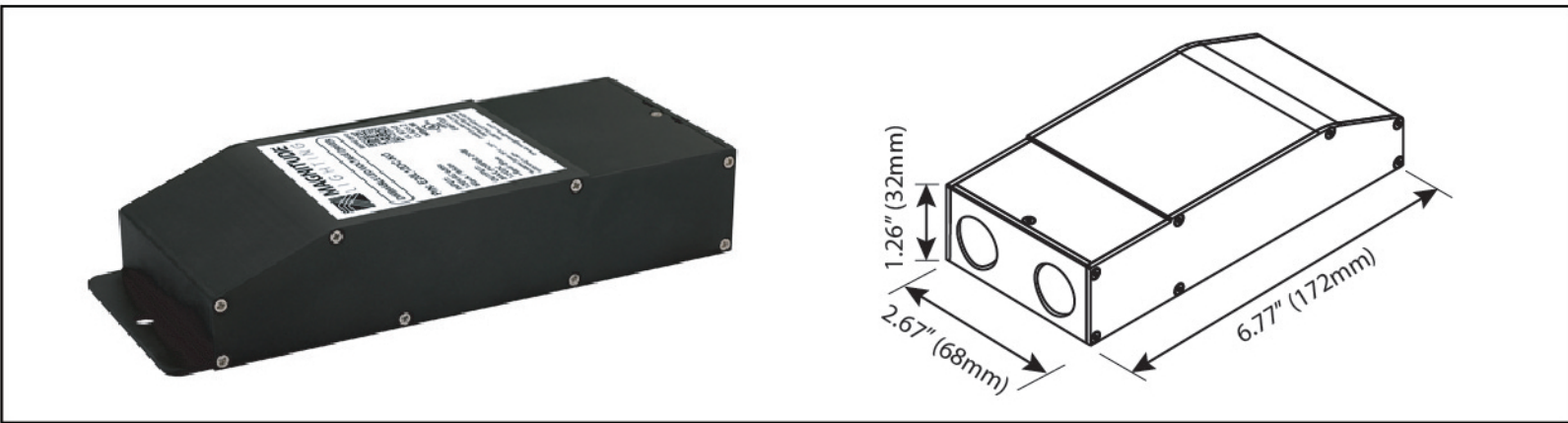


Type	
Project	
Catalog No.	

IMAGE



DESCRIPTION

RevLite's RPS-E60L24DC-KO dimmable voltage LED driver is class 2 rated and designed to operate with any standard MLV/Incandescent TRIAC (Leading edge) dimmer switch. Encased in a low profile aluminum enclosure that includes 2 knock-outs to enable easy installation makes it the perfect choice for under cabinet lights, tape lights and various LED fixtures installations.

Our electrical specification includes Auto Reset, over current and short circuit protection. Efficiency of 90% and higher allows the driver to operate at low temperatures.

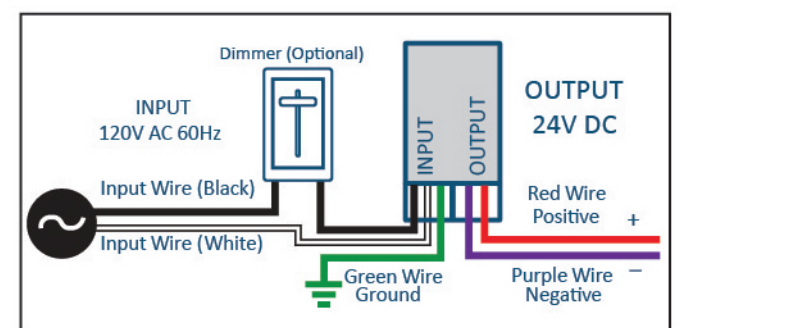
FEATURES

- Dimmable with any standard MLV/Incandescent TRIAC (Leading edge) dimmer switch
- Dim down to 1%
- Super compact ALUMINUM CASE.
- Class 2
- UL 8750
- Nema 3R - Outdoor use
- Auto-Reset Protection for short circuits & over-voltage.
- FCC 15 part 2

SPECIFICATIONS

Input Voltage	120VAC
Power Factor	0.95
Efficiency	>90%
Max Load	60W
Output Voltage	24V DC
Output Current @ Max Load	2.63A
Operating Ambient Temperature	-30°C - 50°C (-22°F - 122°F)
Min Dimming Level	1%
Input Wires (White/Black)	18 AWG
Output Wires (Red/Purple)	14 AWG
Weight	17oz (481grams)
Housing Material	Aluminium
Housing Color	Black
Junction Box	Yes
Mounting	Two Hole Flange Mounting
Certification	cULus
Short Circuit Protection	Yes
Overcurrent Protection	Yes
Over Temperature	Yes
Open Circuit Protection	Yes
Warranty	5 years - see published warranty terms for details

WIRING DIAGRAMS



For smooth dimming 8W minimum load is required

ORDERING INSTRUCTIONS

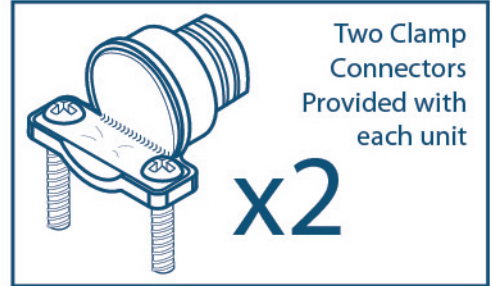
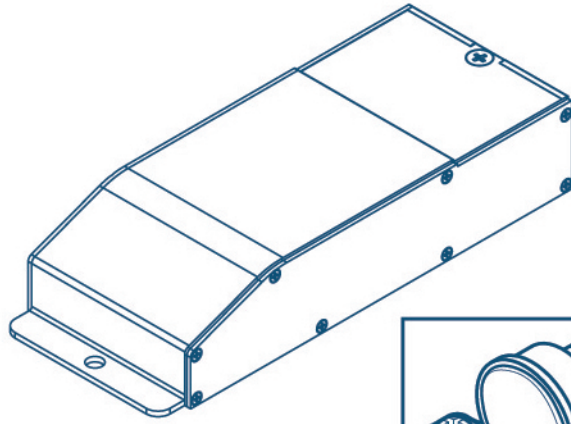
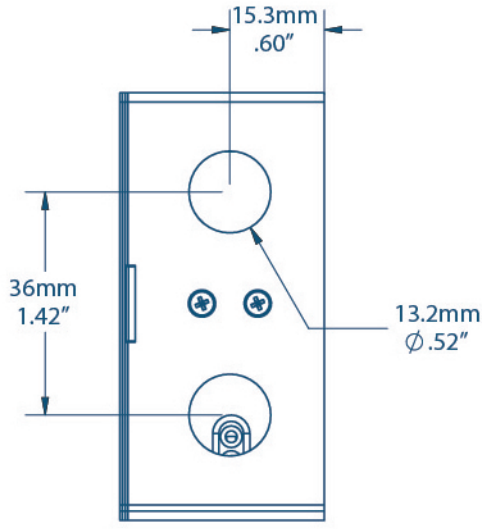
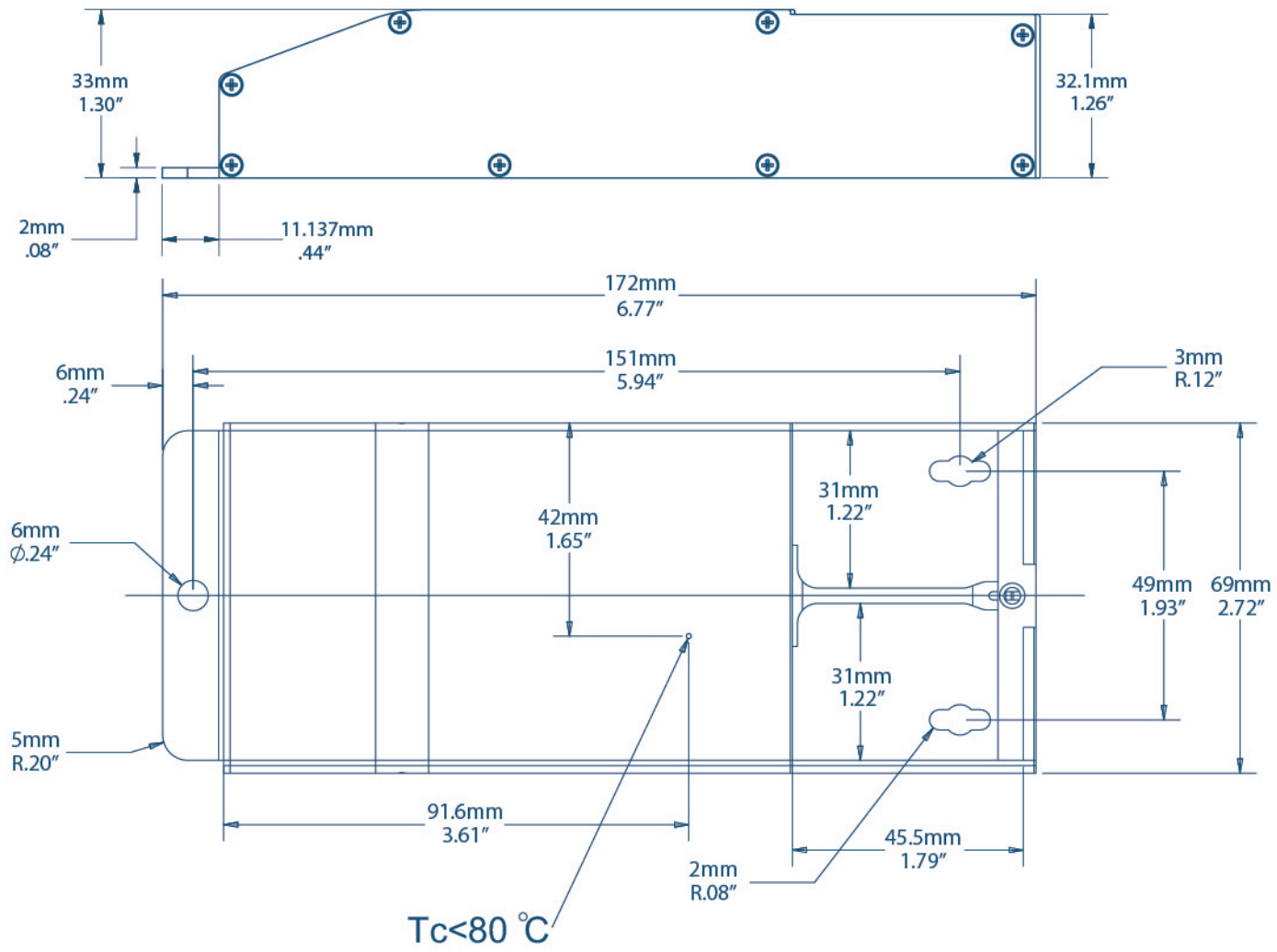
MODEL

RPS-E60L24DC-KO

* Product specifications subject to change without notice.

Type	
Project	
Catalog No.	

MECHANICAL DIAGRAM



The dimmers listed below were tested with Revlite's Voltage LED Drivers. Performance of the Dimmers may vary within the same model or with different LED load types.

Other dimmers may be compatible, please contact Revlite for more information. Compatibility list may change without prior notice.

LUTRON DIMMERS - INCANDESCENT DIMMERS

Lutron Skylark	
S-103P	S-10P
S-103PNL	S-10PNL
S-603P	S-600P
S-603PNL	S-600PNL

Lutron Rotary	
D-603P	DNG-603P
DNG-603PH-DK	DNG-600P
D-600	D-600R

Lutron Maestro	
MA-1000	MSC-1000M
MA-600	MSC-600M

Lutron Nova Dimmer	
N-1500	N-1503P
N-2000	N-2003P
N-1000	N-1003P
N-600	N-603P

Lutron Diva	
DVCL-153PH	DVSCCL-253P
DVCL-153P	DV-103P
DVCL-253P	DVSC-103P
DVSCCL-153P	DVSC-603P
DVSCCL-253P	DV-603P
DV-103P	DV-10P
DVSC-103P	DV-600P
DVSC-603P	DVSC-10P

LUTRON DIMMERS - MLV DIMMERS

Maestro C-L	
MSCL-OP153MH	

Lutron Vareo Dimmer	
V-1000	VETS-1000-S
VETN-1000	VETS-R
V-600	VETS-R-S
VETS-1000	VETS-1000-SL
V-1000-S	VETS-1000-SL-S
VETS-1000-CSA	VETS-A-SL
V-600-S	VETS-A-SL-S
VETN-1000-S	

Lutron Ariadni Dimmer	
AYLV-603P	AYLV-600P-S
AYLV-600P-CSA	AYLV-603P-S
AYLV-603P-CSA	AYLV-600P

Lutron Lyneo Dimmer	
LXLV-103PL	LXLV-10PL
LXLV-603PL	LXLV-600PL

Lutron Nova T Dimmer	
NTLV-1500	NTLV-600
NTLV-1000	NTLV-600-277
NTLV-1000-277	

Lutron Aycl Dimmer	
153-PH	

Lutron Nova Dimmer	
NTLV-1000	NTLV-1503P-S
NTLV-1500	NTLV-2003P-S
NTLV-600	NT-3PS
NTLV-1500-S	NT-3PS-CSA
NTLV-600-S	NT-3PS-S
NTLV-1000-S	NTLV-1003P-S
NTLV-1503P	NTLV-603P-S
NTLV-2003P	NT-4PS
NTLV-1003P	NT-4PS-CSA
NTLV-603P	NT-4PS-S
NTLV-1503P-CSA	NT-1PS
NTLV-1003P-CSA	NT-1PS-CSA
NTLV-603P-CSA	NT-1PS-S

Lutron Ceana Dimmer	
CNLV-603P	CNLV-600P

The dimmers listed below were tested with Revlite's Voltage LED Drivers. Performance of the Dimmers may vary within the same model or with different LED load types.

Other dimmers may be compatible, please contact Revlite for more information. Compatibility list may change without prior notice.

LUTRON DIMMERS - MLV DIMMERS

Lutron Glyder Dimmer	
GLV-600	GLV-600-CSA

Lutron Diva Dimmer	
DVLV-103P	DVLV-10P
DVLV-603P	DVSCLV-10P
DVSCLV-103P	DVSCLV-600P
DVSCLV-603P	DVLV-10P-CSA
DVLV-103P-CSA	DVLV-10P-S
DVLV-603P-CSA	DVLV-10PH-S
DVLV-103P-S	DVSCLV-10P-L
DVLV-603P-S	SC-3PS
DVLV-103PH-S	SC-4PS
DVLV-603PH-S	SC-1PS
DVSCLV-103P-L	SC-3PSNL
DVSCLV-603P-L	SC-4PSNL
DVLV-603V	SC-1PSNL
DVLV-600P	

Lutron Skylark Dimmer	
S-600P	SLV-600P
SLV-603P	SLV-600P-CSA
SLV-603P-CSA	SLV-600PH-CSA
SLV-603PH-CSA	

MLV DIMMERS - LEVITON DIMMERS

Leviton Incandescent oi Dimmer	
OC5504	1C3005

Leviton Illumatech Dimmer	
IPM06-1LZ	IPM10-1LZ
IPM06-1LX	

Leviton Vizia Dimmer	
VPM06-1LZ	

Leviton Mural Dimmer	
MDM06-1LI	MDM10-1LI
MDM06-1LW	MDM10-1LW
MDM06-1LA	MDM10-1LA

Leviton SureSlide Dimmer	
6613-PLT	6613-PLW
6613-PLI	6613-PLA

Leviton ToggleTouch Dimmer	
TGM10-1LI	TGM10-1LA
TGM10-1LI	TGM10-1LT

LEGRAND DIMMERS

Pass and Seymour	
HLV1103PW	CDLV703-PW
CDLV1103-PW	H703P
HLV703PTC	LSLV600-pw
WSLV703PW	LSLV600-W
H703PTUTC	

Adorne whisper	
ADWR700MMTUW2	

FORBES & LOMAX - MLV DIMMERS

Rotary Dimmers	
FLRLV603P	

**FORBES & LOMAX
INCANDESCENT DIMMERS**

Rotary Dimmers	
FLR603P	