

# LED Flood Light

**150**

LM/W



IP66



15°



30°



60°



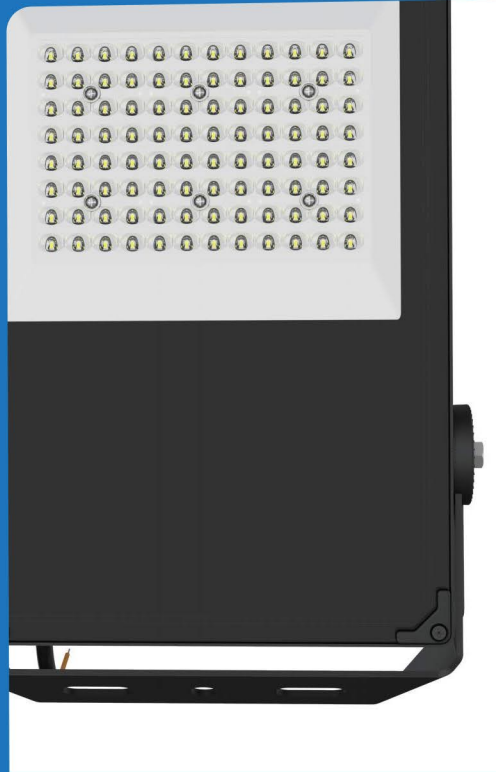
90°



120°

Type3

Type4



Revlite Technologies Inc

www.revlighte.com  
info@revlighte.com  
Phone: 416-299-7211

50 Ironside Crescent, Unit 1  
Toronto, ON M1X 1G4



Type	
Project	
Catalog No.	



Type	
Project	
Catalog No.	

Model NO.	RL-FL04-50W	RL-FL04-100W	RL-FL04-150W	RL-FL04-200W	RL-FL04-300W	RL-FL04-400W	RL-FL04-500W
Wattage	50W	100W	150W	200W	300W	400W	500W
Luminous Efficiency	150LM/W						
Total Lumen	7,500LM	15,000LM	22,500LM	30,000LM	45,000LM	60,000LM	75,000LM
Beam Angle	15°/30°/ 60° / 90° / 120° /Type3/Type4 Optional						
Driver	Meanwell/Philips/Sosen						
PF	>0.95						
Dimming	0-10V / DALI / PWM						
LED	LUMILEDS 3030						
LED Qty	96PCS	160PCS	240PCS	320PCS	480PCS	768PCS	768PCS
CCT	3000K / 4000K / 5000K / 5700K / 6500K Optional						
CRI	>70(80Ra optional)						
Input Voltage	AC90-305V						
IP Rating	IP66						
IK Rating	IK08						
Life span	>50,000hours						
Carton Size (mm)	L375mm x W290mm x H100mm	L390mm x W365mm x H100mm	L445mm x W390mm x H100mm	L505mm x W390mm x H100mm	L670mm x W475mm x H125mm	L775mm x W575mm x H130mm	L775mm x W575mm x H130mm
QTY./CTN.	1pcs/CTN	1pcs/CTN	1pcs/CTN	1pcs/CTN	1pcs/CTN	1pcs/CTN	1pcs/CTN
Net Weight	3Kg	3.75Kg	4.5Kg	5.25Kg	8.8Kg	12.2Kg	12.2Kg
Gross Weight	4Kg	4.95Kg	5.6Kg	6.45Kg	9.9Kg	13.2Kg	13.2Kg
Certificate	CE,CB,SAA,C-tick,ROHS						

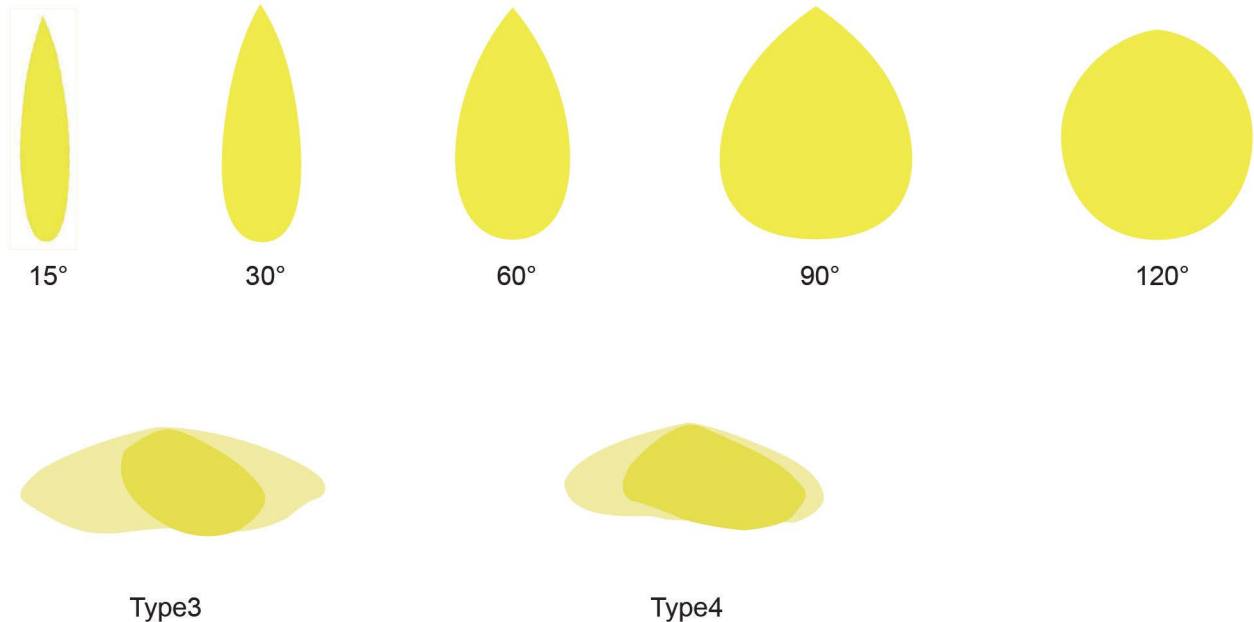
Other specifications shall be confirmed with the sales representative.

Type	
Project	
Catalog No.	

## Features:

- Die casting ADC12 aluminum housing , perfect cooling structure design
- LUMILEDS 3030 LED , CRI > 70 , system efficiency 150LM/W
- Meanwell/Philips/Sosen Driver for option,PF>0.95
- Easy to change different beam angle optical lens
- Available with daylight sensor ( photocell ) , more energy saving
- CE,CB,SAA,C-tick,ROHS

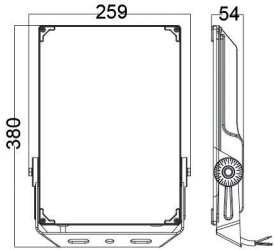
## Distribution Curve:



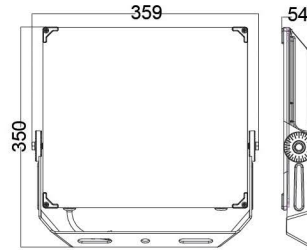


Type	
Project	
Catalog No.	

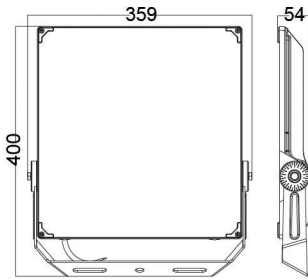
**Technical Drawing :**



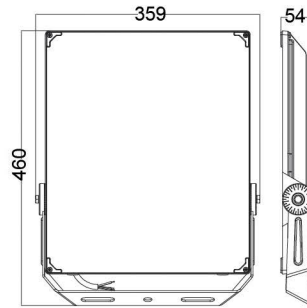
50W



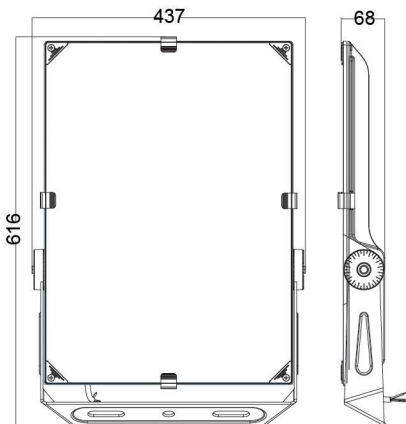
100W



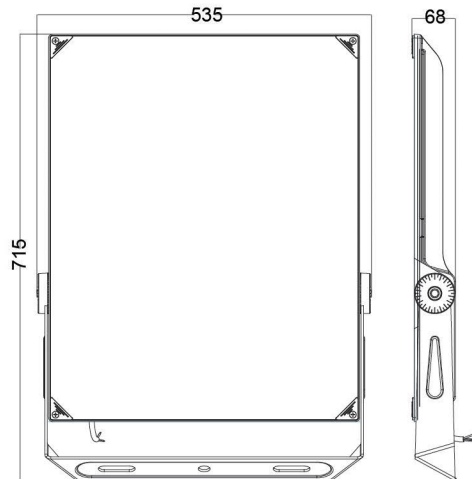
150W



200W



300W



400W/500W