

Type	
Project	
Catalog No.	

Better solutions for Led Solar Street Light



IP66 water-proof



Rotating Solar Panel



Easy Installation



190lm/W

Operating Temp.: -20°C ~+50°C

Storage Temp.: -40°C ~+80°C



Options

CCT 3000K 4000K 5000K 5700K
Beam Angle Type II-S(140*85°)

Application

Pathway, Parking lot, Garden, Schools, Residential area, Villas, Resorts, Factories, Landscape, Architectural decorative lighting, Village roads and other places.

Specifications

Item	RL50W-01-G2	RL90W-01-G2	RL120W-01-G2	RL240W-01-G2
Solar Panel	50W/18V	90W/18V	120W/18V	120W/18V*2
Solar Cell	High Efficiency Monocrystalline Silicon			
Lithium Battery	18AH/12.8V	30AH/12.8V	48AH/12.8V	42AH/25.6V
Luminous Efficacy	190Lm/W			
Lamp Power	30W	50W	80W	100W
Led	SMD5050			
CRI	>70			
Lens	Type II-S(140*85°)			
Lighting time	5-7 Rainy day(full charged)			
Weight	12kg(26.5lbs)	17kg(37.5lbs)	24kg(52.9lbs)	40kg(88.2lbs)
Pole top diameter	Ø50-62mm			
Mounting height	5~15m			
Installation space	10~30m			

Lighting Modes Options

Option 1 :

At night, T1:100%-2hr, T2:60%-2hr, T3: 10%-7hr, T4: 50%-1hr.

Customized modes available.

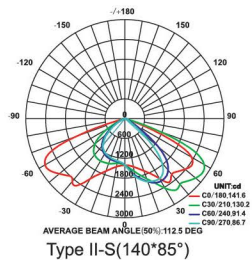
For example, when the led solar panel street light turn-on at 6:00 pm,

T1: 100%-2hr on 6:00pm-8:00pm, T2: 60%-2hr on 8:00pm-10:00pm, T3: 10%-7hr on 10:00pm-5:00am

T4: 50%-1hr on 5:00am-6:00am.

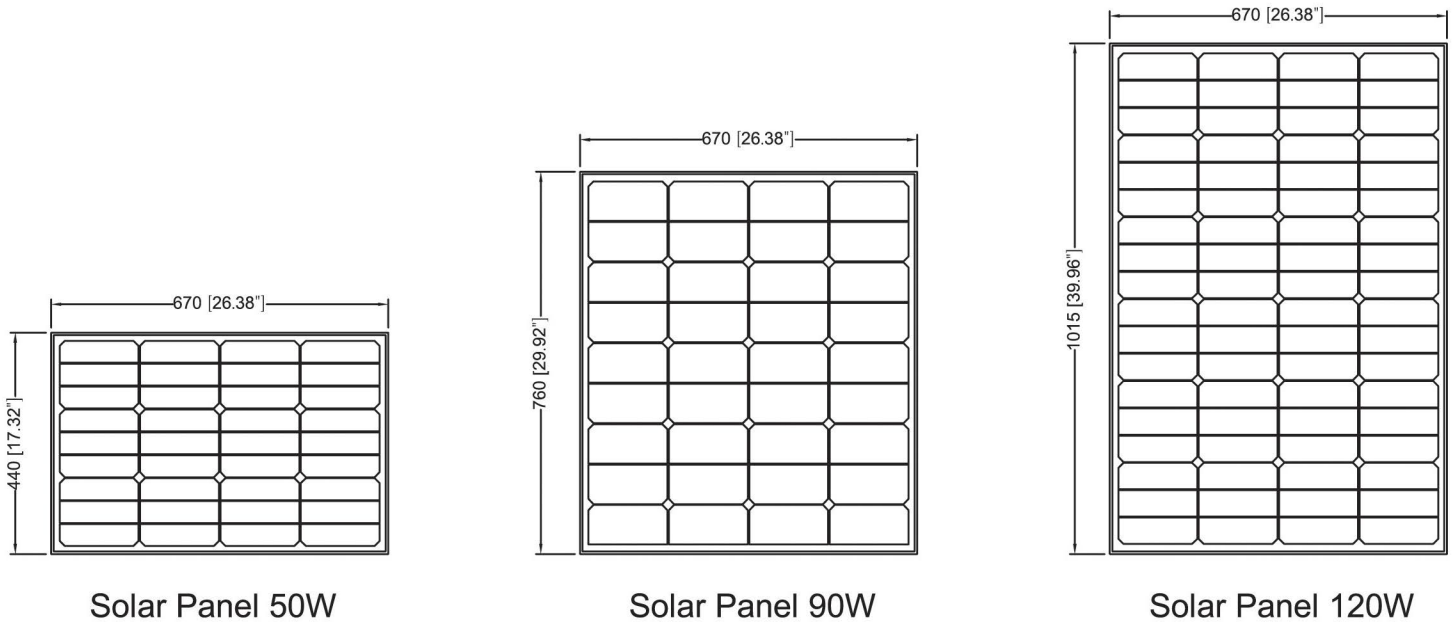
Remarks: The street lights' turn-on time depends on the clients' local time(Turn-on Light Level: <20lux).

Photometry



Type	
Project	
Catalog No.	

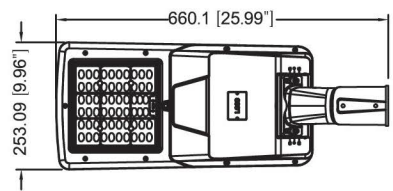
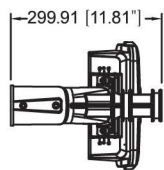
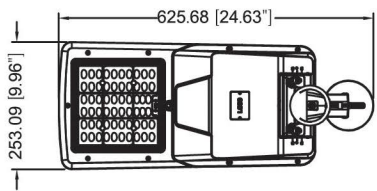
Dimensions (mm)



Solar Panel 50W

Solar Panel 90W

Solar Panel 120W



Street light single pole
(50W/90W/120W)

Street light Arm pole
(50W/90W/120W/240W)

Solar Panel



50W

90W

120W

50W

90W

120W

240W

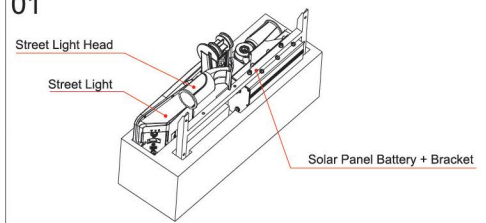
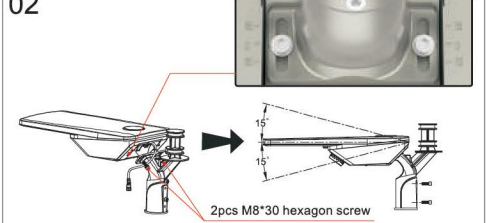
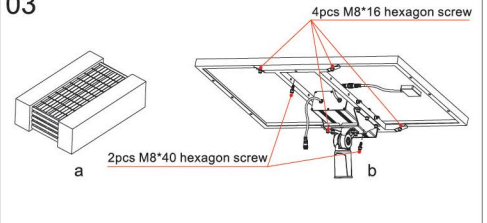
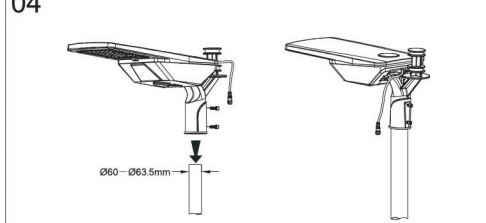
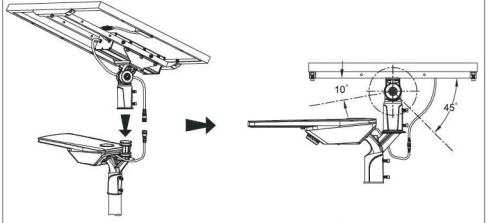
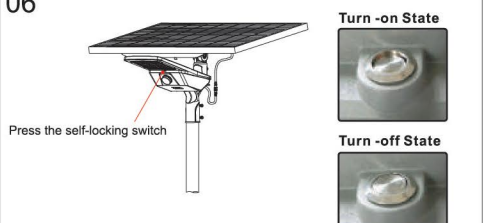
Street light single pole

Street light Arm pole

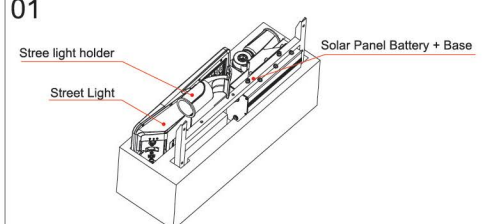
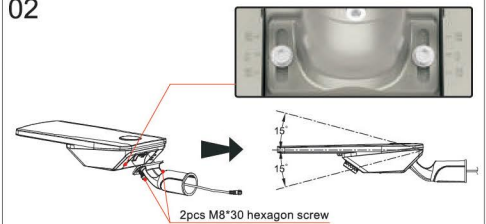
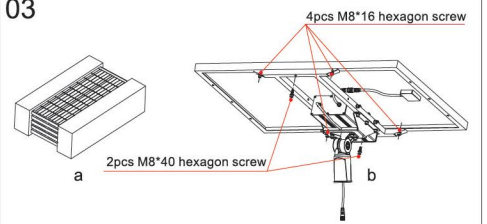
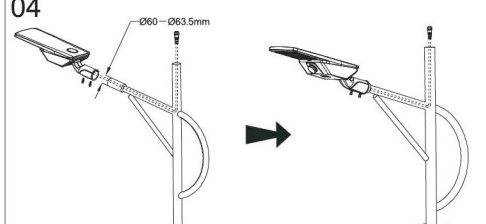
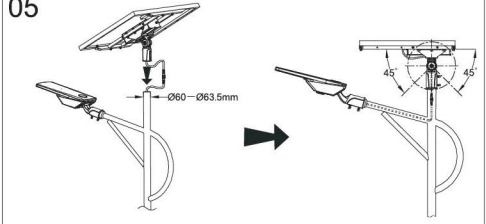
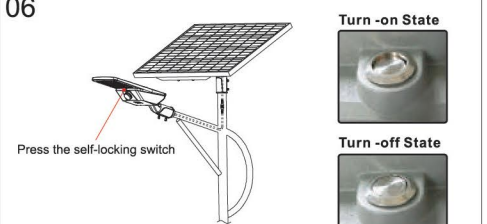
Type	
Project	
Catalog No.	

Installation and use

Street Light Single Pole

<p>01</p>  <p>The standard package include Street light, Solar panel battery + bracket and Street light head.</p>	<p>02</p>  <p>Fix the street lamp head to the lamp body with two M8x30mm hexagon socket screws. Choose the right angle.</p>	<p>03</p>  <p>After opening the solar panel package (Figure a), use the M8 screws shown in Figure b to connect the solar panel battery bracket.</p>
<p>04</p>  <p>Install the whole light on the street light pole and fix it tightly with two M8 * 20mm hex screws.</p>	<p>05</p>  <p>Install the solar panel on the street lamp head and fasten it tightly with two M8x20mm hexagon screws. According to the local latitude, adjust the best angle of the solar panel.</p>	<p>06</p>  <p>Press the self-locking switch to activate the light.</p>

Street light Arm pole

<p>01</p>  <p>The standard package include Street light, Solar panel battery + bracket and Street light head.</p>	<p>02</p>  <p>Fix the street lamp head to the lamp body with two M8x30mm hexagon socket screws. Choose the right angle.</p>	<p>03</p>  <p>After opening the solar panel package (Figure a), use the M8 screws shown in Figure b to connect the solar panel battery bracket.</p>
<p>04</p>  <p>Install the street light on the pole, pull the wire as shown, then tighten the M8 hexagon screw.</p>	<p>05</p>  <p>Install the solar panel on the pole, connect the wires as shown, and fix it tightly with two M8*20 hexagon screws. Adjust the best angle of the solar panel according to the local latitude.</p>	<p>06</p>  <p>Press the self-locking switch to activate the light.</p>

Packing Spec

Item	Box			Carton		
	Measurement(mm)	Gross weight	Pcs/box	Measurement(mm)	Gross weight	Pcs/box
RL50W-01-G2-P1/P2	Solar Panel: L750*W510*H305	18.0kg(39.7lbs)	5	/	/	/
RL90W-01-G2-P1/P2	Solar Panel: L840*W750*H305	30.0kg(66.1lbs)	5	/	/	/
RL120W/240W-01-G2-P1/P2	Solar Panel: L1105*W750*H290	34.0kg(75.0lbs)	4	/	/	/
RL50W/90W/120W-01-G2-P1/P2	Lamp: L795*W275*H525	18kg(39.7lbs)	1	/	/	/
RL240W-01-G2-P2	Lamp: L1215*W585*H525	38.0kg(83.8lbs)	1	/	/	/