

**IMAGE & SIZE**

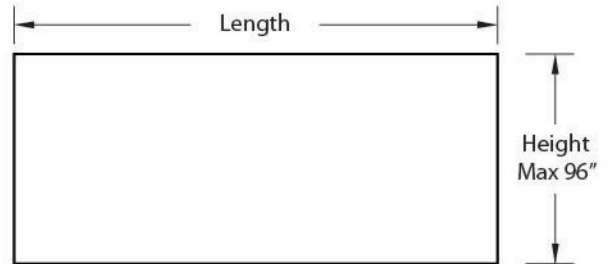


Image size in virtually unlimited length and height.

**DESCRIPTION**

The Fabric Light Box provides bright and even illumination for large graphic prints. This is the ideal lighting solution designed to help elevate your business brand to be the main focus in any commercial area.

**FEATURES**

- Regular back-lit fabric light box:  
Available in virtually unlimited length and height  
Single sided and double sided

**SPECIFICATIONS**

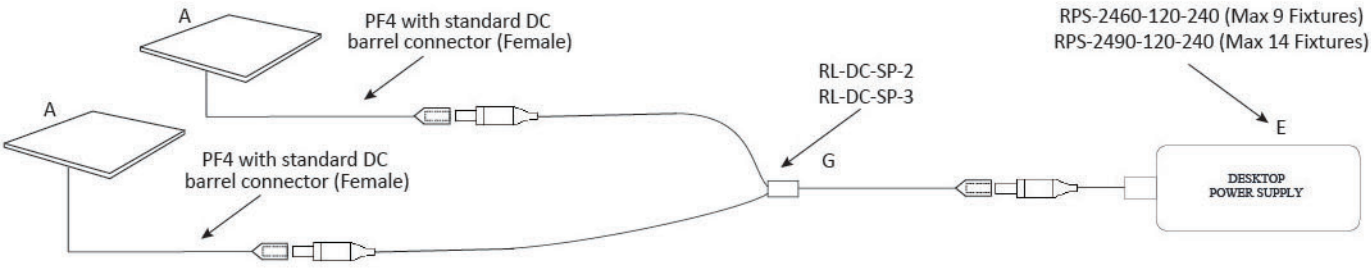
Input Voltage	24V DC
Wattage	8.8W/foot or 28.8W/meter
Colour Temp	3000K / 3500K / 4000K / 5000K / 6000K
Lumen Output	670 lm/ft
CRI	>90
Power Factor	>0.9
Lamp Life	50,000 hours
Environment	IP20
Certification	cULus
Warranty	5 years - see published warranty terms for details

\* Product specifications subject to change without notice.

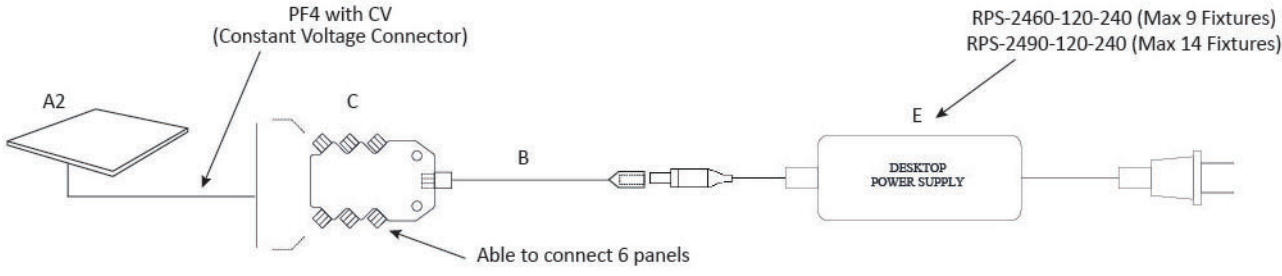
Type	
Project	
Catalog No.	

**WIRING DIAGRAM - For reference purposes only. Not for installation. Not to scale.**

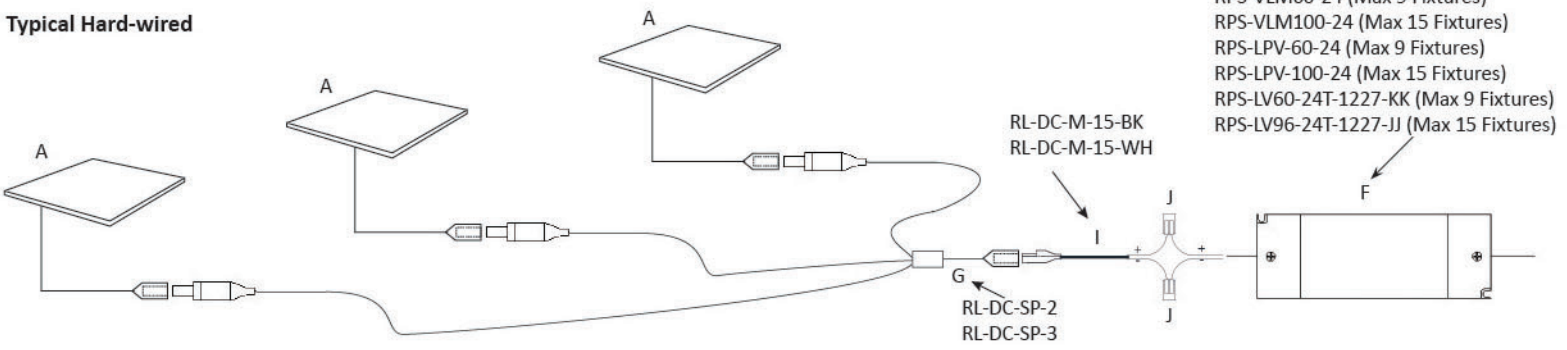
**Typical Plug and Play wiring**



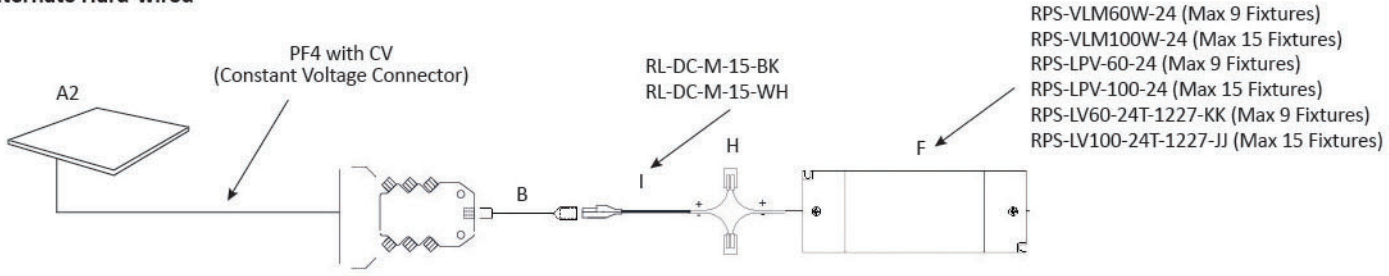
**Alternate Plug and Play wiring**



**Typical Hard-wired**



**Alternate Hard-wired**



Max wiring distance between power supply and fixture is 20 feet (6m). Up to six fixtures can be wired to a single distribution box (CV-6SP-1224)

	length	Description		length	Description
<b>A</b>	1 Meter	PhotoFabric 4" fabric light box With Standard DC Barrel Connector	<b>F</b>		RPS-VLM60W-24, RPS-VLM100W-24, RPS-LPV-100-24, RPS-LPV-60-24, RPS-LV60-24T-1227-KK, RPS-V96-24T-1227-JJ Hardwire power supplies 60W / 96W / 100W
<b>A2</b>	1 Meter	PhotoFabric 4" fabric light box With CV Connector			
<b>B</b>	4" (100mm)	Adapter Cable CV-AD100-2-1224 4" Adapter harness for plug and play power supply	<b>G</b>	15" (380mm)	DC barrel connector double / triple splitter Black / White
<b>C</b>		CV-6SP-1224 Constant voltage splitter box 6 port	<b>H</b>		221-412 Wire clamps
<b>E</b>		RPS-2460-120-240 RPS-2490-120-240 PLUG & PLAY; Power supplies; 60W / 90W	<b>I</b>		RL-DC-M-15-BK RL-DC-M-15-WH 15" DC Plug male

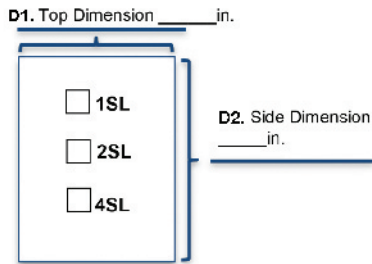
# LED Panel RFQ (Request For Quotation)

Name: \_\_\_\_\_ Date: \_\_\_\_\_  
 Company Name: \_\_\_\_\_ Email: \_\_\_\_\_  
 Project Name: \_\_\_\_\_ Tel: \_\_\_\_\_  
 Billing Address: \_\_\_\_\_ Freight Method:  Air  Ocean  
 Shipping Address: \_\_\_\_\_ Required Receipt Date: \_\_\_\_\_

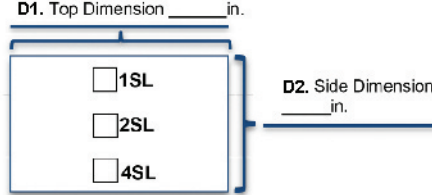
<b>Quantity</b>	
<b>A. Panel Type</b>	<input type="checkbox"/> PSS – (PhotoSurface Slim) <input type="checkbox"/> PSS2 – (PhotoSurface Slim2 - Double Sided) <input type="checkbox"/> PSF – (PhotoSurface Fame) <input type="checkbox"/> PSF2 – (PhotoSurface Fame 2 - Double Sided) <input type="checkbox"/> PF1 – (PhotoFabric 1" Light Box) <input type="checkbox"/> PF3 – (PhotoFabric 3" Light Box) <input type="checkbox"/> PF4 – (PhotoFabric 4" Light Box) <input type="checkbox"/> PM – (Photo Mag) <input type="checkbox"/> PM2 – (Photo Mag2) <input type="checkbox"/> PFUS – (PhotoFabric Ultra Slim)
<b>B. Panel Thickness</b>	<input type="checkbox"/> 4mm (Standard) <input type="checkbox"/> 6mm (Standard for PSS2) <input type="checkbox"/> 8mm
<b>C. Color Temperature</b>	<input type="checkbox"/> 3000K <input type="checkbox"/> 3500K <input type="checkbox"/> 4000K <input type="checkbox"/> 5000K <input type="checkbox"/> 6000K

## D. Panel Dimensions

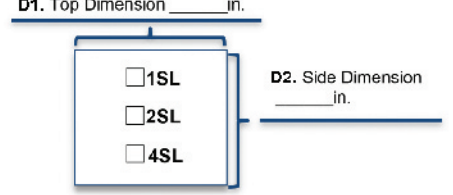
### Vertical Panel Orientation



### Horizontal Panel Orientation



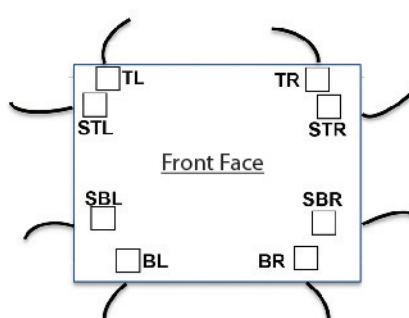
### Square Panel



E. LED Sides  1SL – One Side     2SL – Two Sides     4SL – Four Sides

F.  D – Diffuser     N – No Diffuser

G. Power Cord Length  ST – Standard 2M     CT – Custom Length \_\_\_\_\_ M

<b>H. Power Cord Exit (Check Preferred Location, Cord Exits From the Rear)</b>	<b>I. Power Supply Info</b>
<p>TL – Top Left Corner          TR – Top Right Corner          STL – Side Top Left Corner          STR – Side Top Right Corner          BL – Bottom Left Corner          BR – Bottom Right Corner          SBL – Side Bottom Left Corner          SBR – Side Bottom Right Corner</p> 	<p><input type="checkbox"/> PI – Plug In, DC Jack  <input type="checkbox"/> HW – Hardwired, Bare  <input type="checkbox"/> DHW – Dimmable Hardwired, 0 – 10V</p>

J. Multiple Panel Mounting (Optional)  PC-Pendant Cable Mount     MC-Mirror Clips     ZC-Z Clips  
 KH-Key Hole     SO-Stand Offs     Quantity (Req.) \_\_\_\_\_ pieces

## LED Panel RFQ (Request For Quotation)

Item	Qty	RLP	A Panel Type	B Panel Thickness	C Color Temp	Dimensions		E LED Sides	F Diffuser	G Cord Length	H Cord Placement	I Power Supply	J Mounting (Optional)
						D1 Top	D2 Side						
						1	5						

- PF4 – (PhotoFabric 4" fabric light box)
- 1SL – One Side
- D – Diffuser
- ST – Standard 2M
- TL – Top Left Corner
- PI – Plug In, DC Jack
- PC – Pendant Cable Mount

- B -
  - 4 = 4 mm
  - 6 = 6 mm
  - 8 = 8 mm
  - 0 = No Panel LED Modules

- C -
  - 30 = 3000 K
  - 35 = 3500 K
  - 40 = 4000 K
  - 50 = 5000 K
  - 60 = 6000 K