

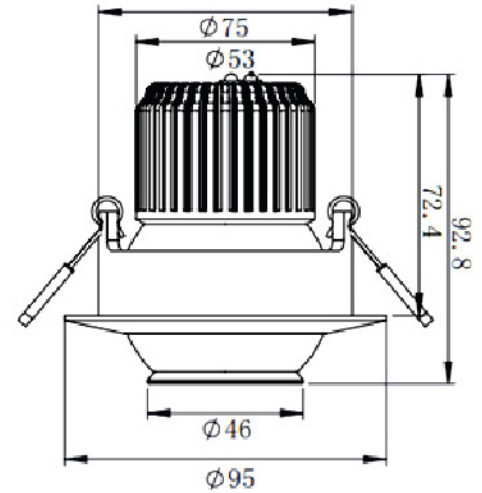


Revlite Technologies Inc

Part # **LR16MS-ZL-12**

Type	
Project	
Catalog No.	

\*Measurement in mm  
\*Cut out: 80mm



### DESCRIPTION

An elegant 12W high efficiency down light fixture with 360° gimbal feature and the ability to zoom focus on objects of interest. Lumen output in excess of 1000 Lumens which surpasses the output of typical 50W halogen MR16s. Lens is infinitely focusable from 15°-90°.

### FEATURES

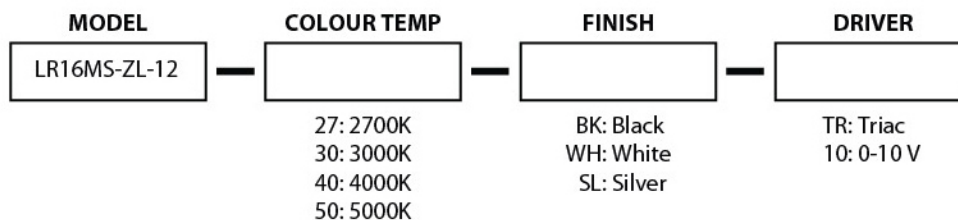
- 12 Watt LED array, CRI>80 @ 3000K
- 1000+ lumens from state of the art LED COB chip
- Continuously variable beam angles from 15°-90°. By pushing or pulling the lens collar, different beam cone size and brightness levels can be realized
- Proprietary ball and socket aluminum heat sink allows 360° rotation and swivel of entire light engine to allow illumination of the wall or objects of interest
- Lens can be rotated continuously 360° in the horizontal plane and up to 30° in the vertical plane
- Heat sink is oversized to ensure maximum LED life
- LED power supplies suitable for indoor and outdoor use 120-277VAC input standard
- Finished with slim line aluminum trim for optimum aesthetics

### SPECIFICATIONS

Input Voltage	120-277 VAC (universal)
Wattage	12W
Colour Temp	2700K / 3000K / 4000K / 5000K
Dimming	0-10V or triac
Lumen Output	>1000 lumens
CRI	≥80
Beam Angle	Adjustable 15°-90°
Power Factor	≥0.9
Lamp Life	>50,000 hours
Environment	IP20
Certification	cULus
Warranty	5 years - see published warranty terms for details

\* Product specifications subject to change without notice.

### ORDERING INSTRUCTIONS



**Example:** LR16MS-ZL-12-40-BK-TR = LR16MS-ZL-12, 4000K, black finish, triac dimming



www.revlite.com  
info@revlite.com  
Phone: 416-299-7211

50 Ironside Crescent, Unit 4  
Toronto, ON M1X 1G4

