



Revlite Technologies Inc

Part #

4003 - STEM - Multi Heads

Type

Project

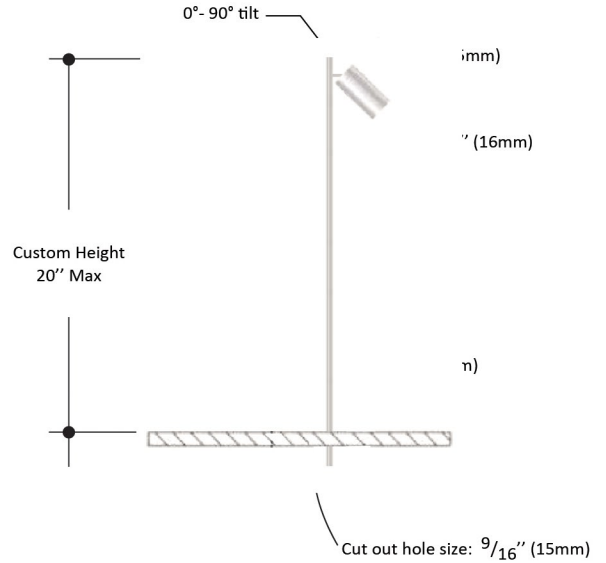
Catalog No.

IMAGE

Single Head

Double Heads

Triple Heads



DESCRIPTION

- Ultra slim 3/8" (9.5mm) stems supporting LED light heads.
- 3 Variants available: Single head, Dual head and Triple head.
- All light heads swivel on a ball and socket joint which enables movement in any direction up to 90° left to right and 0° to 90° up and down.
- Multiple beam angles available with high quality no artefact focussed light.
- High colour accuracy of 90+ CRI.
- Each light head operates at 1.5W providing 158 lumens per light head.
- Custom stem heights available up to a maximum 20"(500mm).
- Cut out hole size 9/16" (15mm).
- cULus Listed.

SPECIFICATIONS

Input Voltage	Remote driver 110 VAC in 350mA out / 500mA out
Wattage	1.0W@350mA / 1.5W@500mA / Per Head
Colour Temp	3000K / 3500K / 4000K / 5000K
Lumen Output	105Lm@350mA / 158Lm@500mA (@3000K); 105Lm/W
CRI	>90
Beam Angle	15° / 30° / 45°
Power Factor	0.93
Lamp Life	>50,000 hours
Environment	IP20
Certification	cULus
Warranty	5 years if driver supplied by Revlite

* Product specifications subject to change without notice.

APPLICATIONS

- Showcase Lighting
- Retail Displays
- Exhibit Lighting

ORDERING INSTRUCTIONS

MODEL	# OF HEADS	HEIGHT	COLOUR TEMP	BEAM ANGLE	FINISH
4003-MH	1: 1 light head 2: 2 light heads 3: 3 light heads	Up to 20" (508mm)	30: 3000K 35: 3500K 40: 4000K 50: 5000K	15: 15 Deg 30: 30 Deg 45: 45 Deg	BK: Black PL: Polished SL: Silver CU: Custom

Example: 4003-MH-2-10-30-15-BK = 4003-MH, 2 light heads, height 10 inches, 3000K, 15 degree beam angle, black finish



www.revlite.com
info@revlite.com
Phone: 416-299-7211

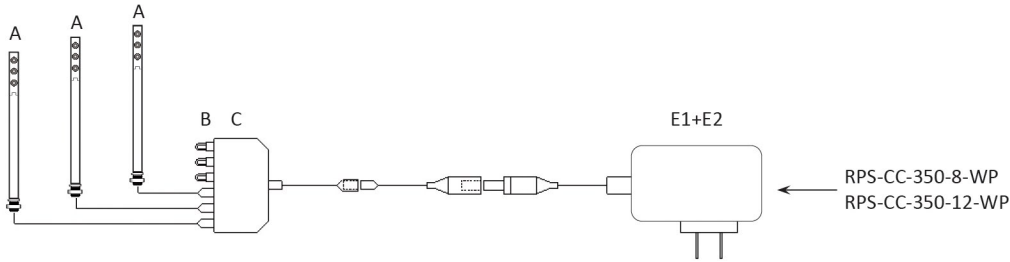
50 Ironside Crescent, Unit 1
Toronto, ON M1X 1G4



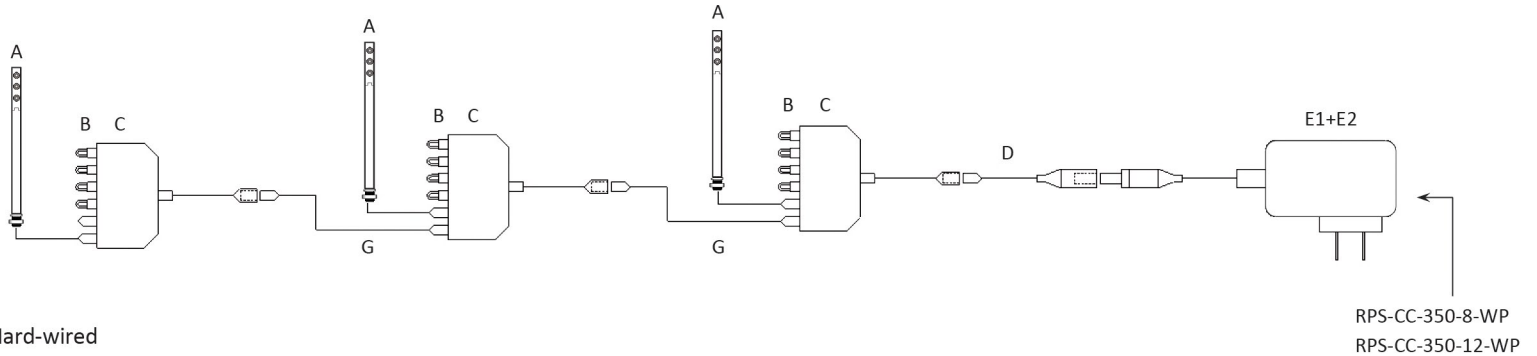
Type	
Project	
Catalog No.	

WIRING DIAGRAM - For reference purposes only. Not for installation. Not to scale.

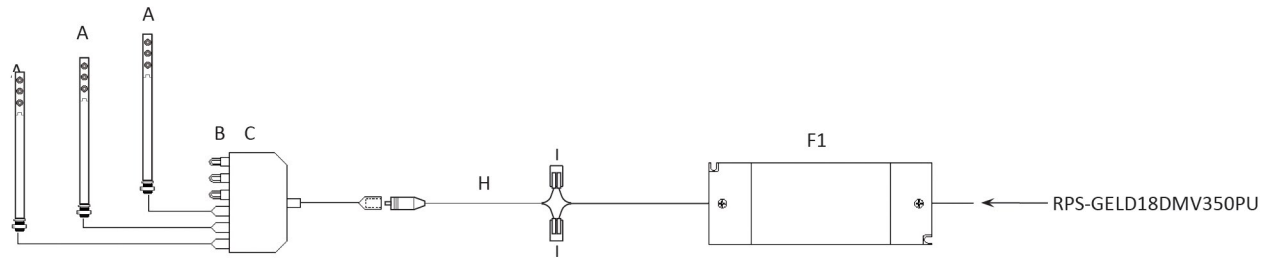
Plug and Play wiring



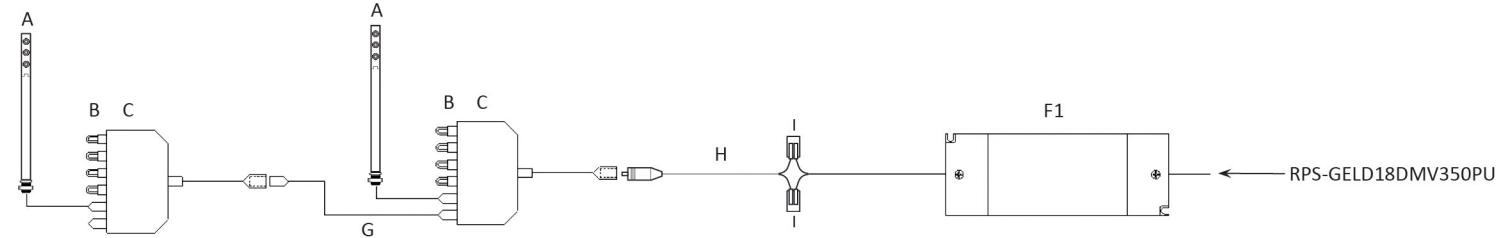
Alternate Plug and Play wiring



Hard-wired



Alternate Hard-wired



Max wiring distance between power supply and fixture is 20 feet. Up to six fixtures can be wired to a single distribution box (CC-6SP-500).

A	4003 - STEM - Multi Heads	F1	RPS-GELD18DMV350PU, Constant Current Power Supply-Hardwire (Min. # fixtures = 1, Max. # fixtures = 16)
B	CC-6SP-JP (Jumper)	G	CC-1000-2, Constant Current extension cables in 1M, 1.5M & 2M CC-1500-2, CC-2000-2
C	CC-6SP-500 (5 jumpers included)	H	CC-100-01M, 4" Constant Current Male with pigtail
D	CC-AD00-2, 4" adapter cable. Male DC converter plug to male constant current	I	221-412, Wire Clamp
E1	RPS-CC-350-8-WP, Constant Current Power Supply- Plug n Play (Max. # fixtures = 7)		
E2	RPS-CC-350-12-WP, Constant Current Power Supply- Plug n Play (Max. # fixtures=10)		