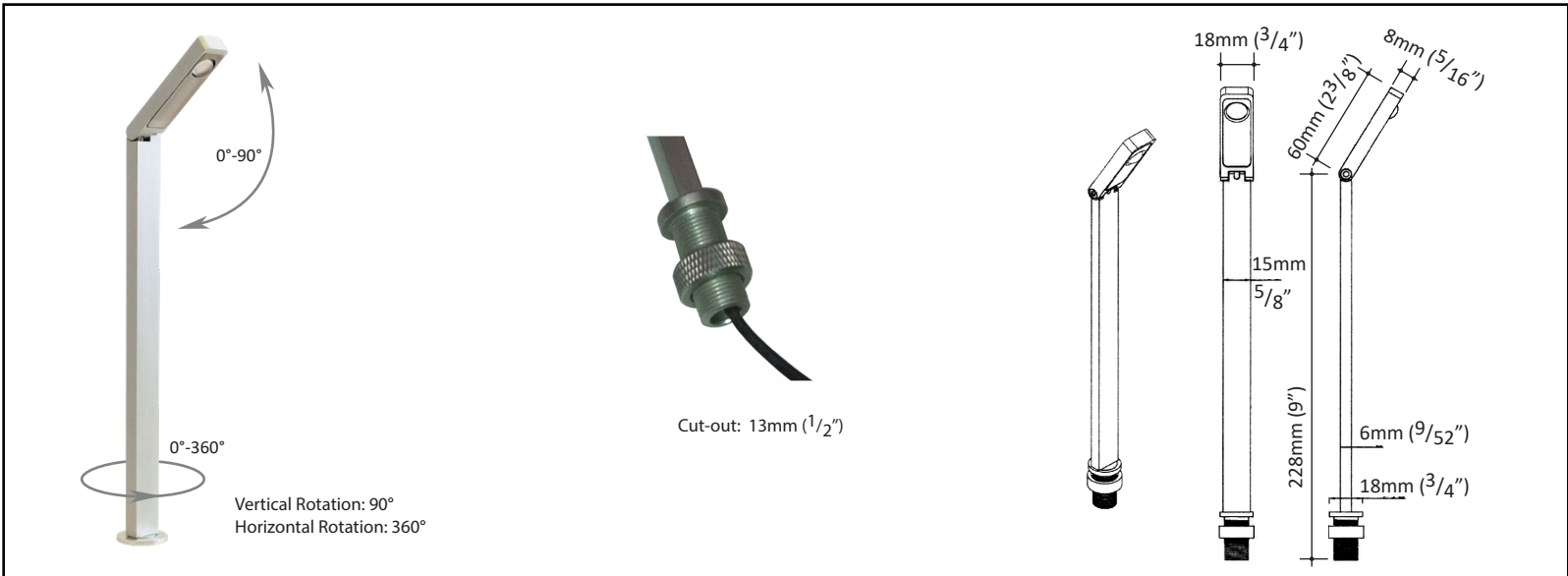


IMAGE



DESCRIPTION

- 4003-COB is a versatile evolutionary variant of the original 4003 stem light now with a single COB LED and lens.
- Even cleaner minimalist design.
- 4W power from a single high CRI LED.
- Revolutionary Constant Voltage Drive (CVD). Fixture input is 24VDC and no longer constant current. This provides many benefits including the ability to daisy chain many fixtures to one power supply. "Hot Plugging" safety.
- Custom finishes available.
- cULus Listed.

SPECIFICATIONS

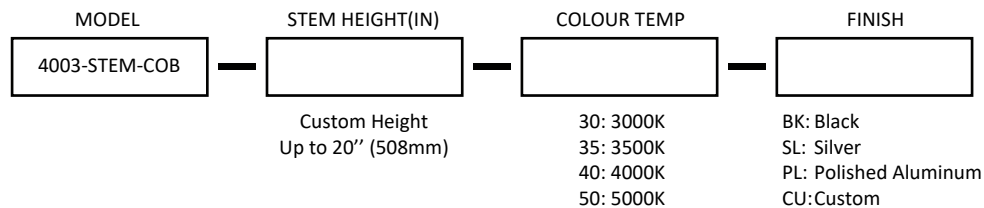
Input Voltage	24V DC
Wattage	4W
Colour Temp	3000K / 3500K / 4000K / 5000K
Lumen Output	412Lm@4000K
CRI	>90
Beam Angle	45°
Power Factor	0.93
Lamp Life	>50,000 hours
Environment	IP20
Certification	cULus
Warranty	5 years if driver supplied by Revlite

* Product specifications subject to change without notice.

APPLICATIONS

- Showcase Lighting
- Retail Displays
- Exhibit Lighting

ORDERING INSTRUCTIONS

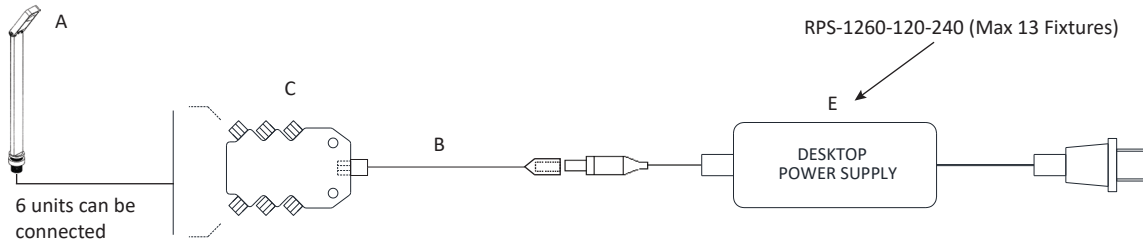


Example: 4003-STEM-COB-12-30-BK = 4003-STEM-COB, stem height 12" (305mm), 3000K, black finish

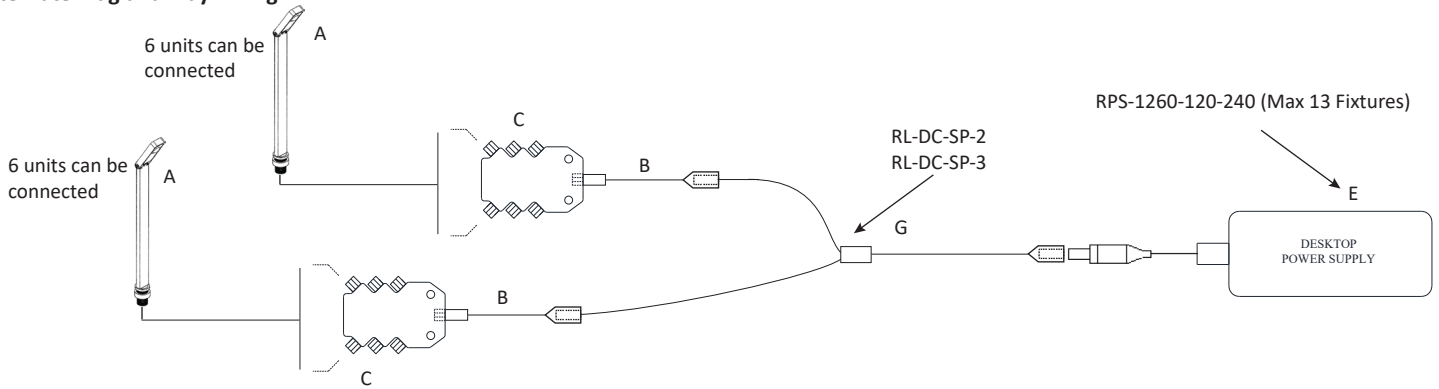
Type	
Project	
Catalog No.	

WIRING DIAGRAM - For reference purposes only. Not for installation. Not to scale.

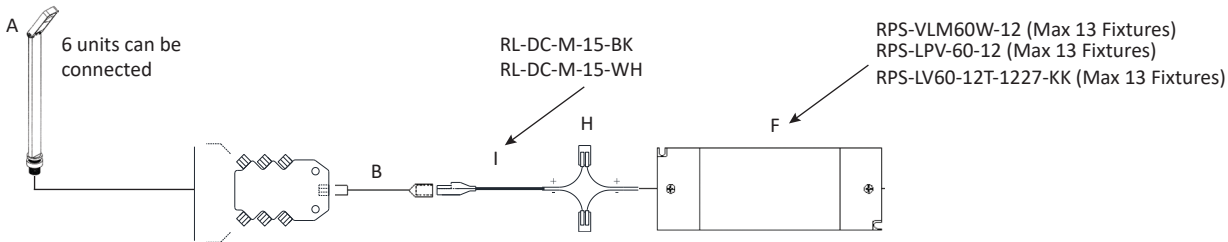
Plug and Play wiring



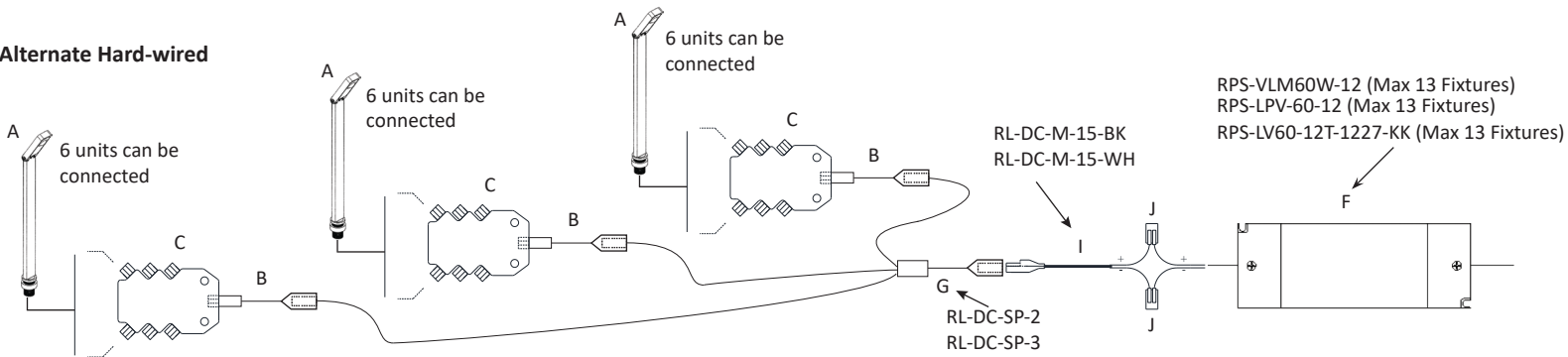
Alternate Plug and Play wiring



Hard-wired



Alternate Hard-wired



Max wiring distance between power supply and fixture is 20 feet (6m). Up to six fixtures can be wired to a single distribution box (CV-6SP-1224)

	length	Description		length	Description
A		Gimbal 2	F		RPS-VLM60W-12, RPS-LPV-20-12, RPS-LPV-60-12, RPS-LV60-12T-1227-KK, RPS-LV60-12T-1227-JJ
B	4" (100mm)	4" Adapter harness for plug and play power supply	G	15" (380mm)	DC barrel connector double / triple splitter Black / White
C		CV-6SP-1224	H		DL-PS-222-412
E		RPS-1260-120-240	I		RL-DC-M-15-BK RL-DC-M-15-WH
		PLUG & PLAY Power supplies 60W			Wire clamps
					15" DC Plug male