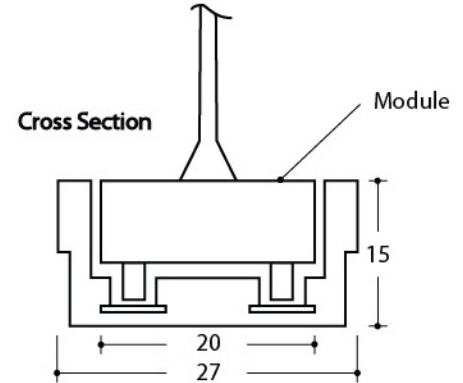
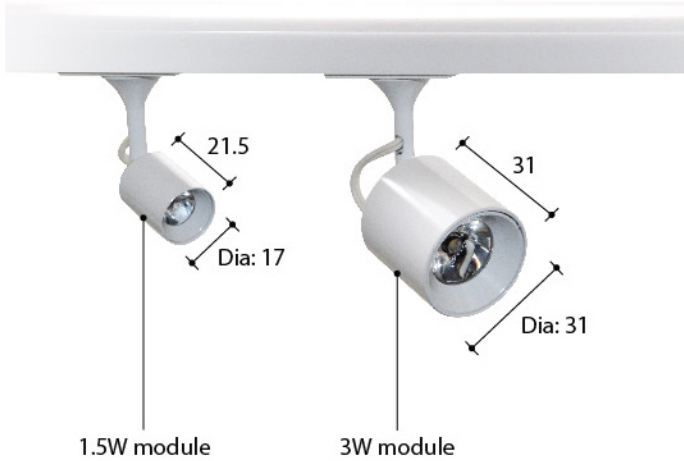


Type	
Project	
Catalog No.	

*Measurement in mm



DESCRIPTION

A unique showcase light that is incredibly compact and versatile by utilizing very efficient spotlights in modules that can be placed as need in the tight rear corners of any display case. Ideal for small showcases with tight design constraints. Modules can be easily removed and placed along any section of the track to accommodate changing lighting demands for product placement changes from day to day. Each of the individual light heads swivel in the vertical and horizontal plane allowing precise focusing of light onto any featured objects.

FEATURES

- The magnetic track system operates on 24 VDC
- Allows removal and placement of modules at any point along the track
- Adjustable light head rotates in the vertical plane and tilts from 0 to 90° in the vertical plane
- 3 optional beam angles

* Product specifications subject to change without notice. ►

SPECIFICATIONS

Input Voltage	24 VDC
Wattage	1.5W / 3W
Colour Temp	2700K / 3000K / 4000K / 5000K
Lumen Output	120 lm/ W @ 3000K
CRI	>90
Beam Angle	10° / 20° / 40°
Power Factor	0.93
Lamp Life	>50,000 hours
Environment	IP20
Certification	cULus
Warranty	5 years - see published warranty terms for details

ORDERING INSTRUCTIONS

Track	MODEL	LENGTH	FINISH		
	4003-TR-Mag	(Length in inches) Max: 72"	BK: Black SL: Silver WH: White		
Module	MODEL	WATTAGE	COLOUR TEMP	BEAM ANGLE	FINISH
	4003-MOD	1: 1.5W 3: 3W	27: 2700K 30: 3000K 40: 4000K 50: 5000K	10: 10 Deg 20: 20 Deg 40: 40 Deg	BK: Black SL: Silver WH: White

This fixture must be ordered as two components: 1. the track 2. the modules

Track example: 4003-TR-Mag-36-BK = 4003-TR-Mag, 36 inches, black finish

Module example: 4003-MOD-1-30-20-BK = 4003-MOD, 1W, 3000K, 20 deg, black finish