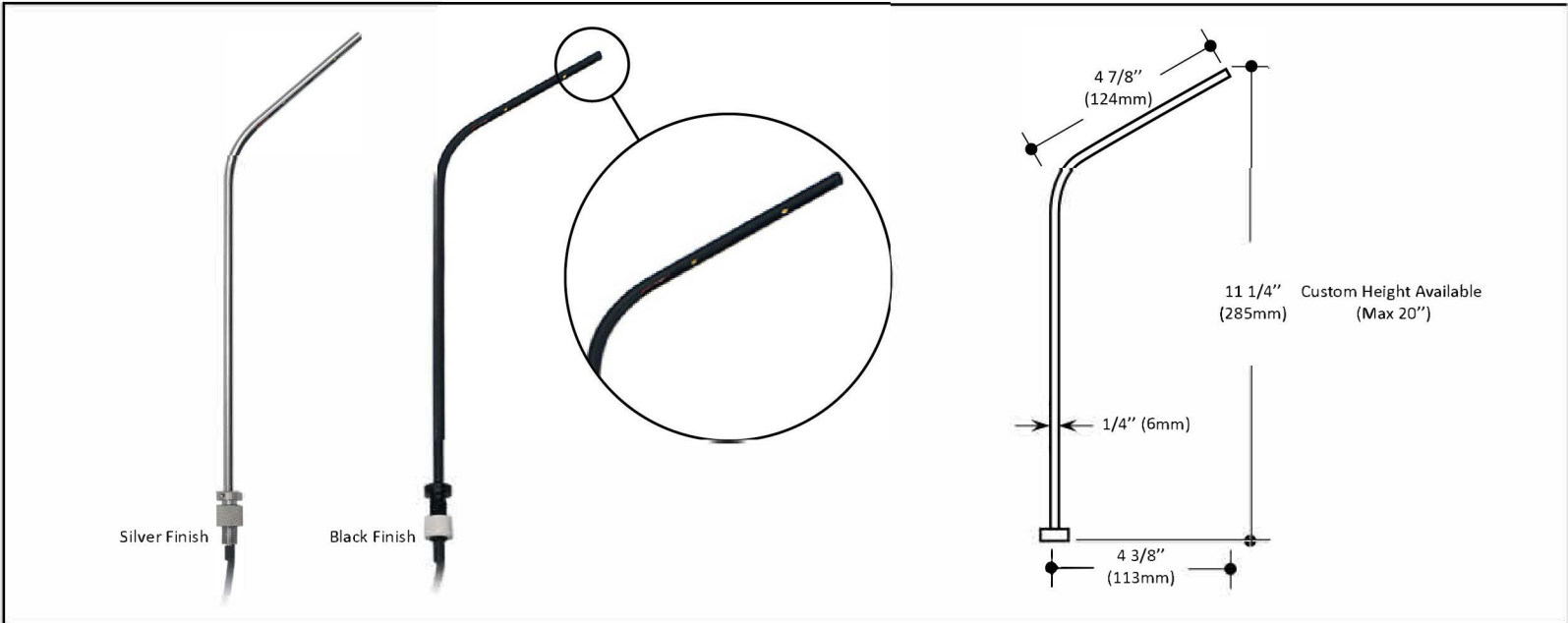


Type	
Project	
Catalog No.	

IMAGE



DESCRIPTION

- Ultra slim 1/4" (6mm) diameter.
- Zen-Like ultra clean minimalist design.
- 100° ultra wide beam angle to cover longer items not requiring a spot focus. Creates an ambience in the showcase.
- High colour accuracy of 90+ CRI.
- 3W total with a 290 lumens of illumination.
- Custom stem heights available up to a maximum of 20".
- Stem height is Tuneable on site for exact site conditions.
- Custom finishes available.
- cULus Listed.

FEATURES

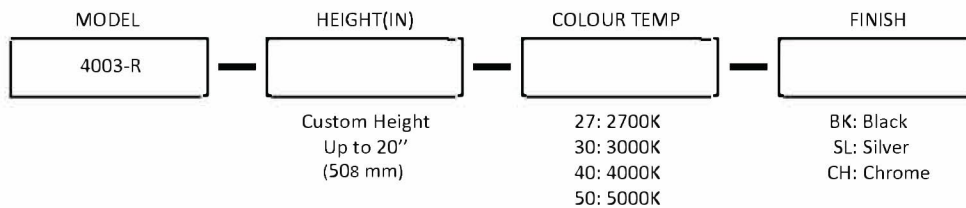
- Showcase Lighting
- Retail Displays
- Exhibit Lighting

SPECIFICATIONS

Input Voltage	Remote driver 110 VAC in 350mA out
Wattage	3W
Colour Temp	2700K / 3000K / 4000K / 5000K
Lumen Output	290 Lm@3000K; 95Lm/W
CRI	>90
Beam Angle	100°
Power Factor	0.93
Lamp Life	>50,000 hours
Environment	IP20
Certification	cULus
Warranty	5 years - see published warranty terms for details

\* Product specifications subject to change without notice.

ORDERING INSTRUCTIONS

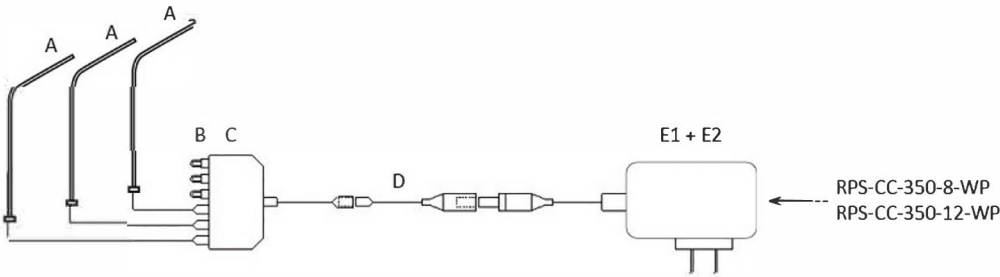


Example: 4003-R-10-30-BK = 4003-R, height 10 inches, 3000K, black finish

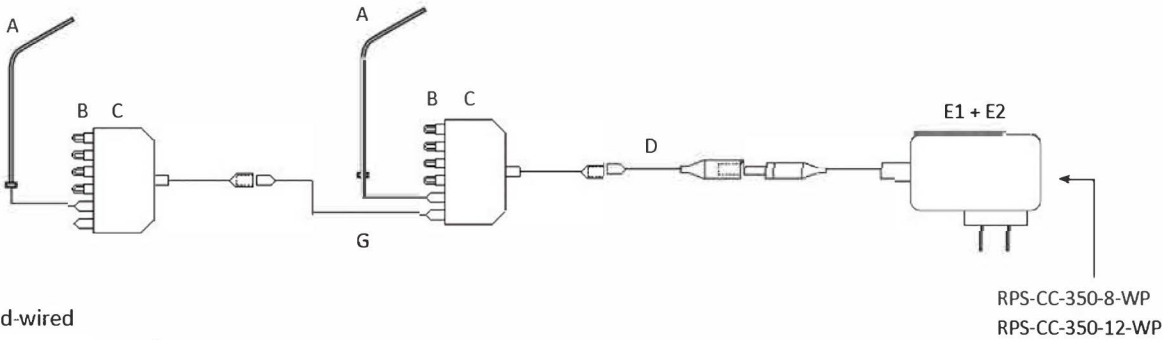
Type	
Project	
Catalog No.	

**WIRING DIAGRAM - For reference purposes only. Not for installation. Not to scale.**

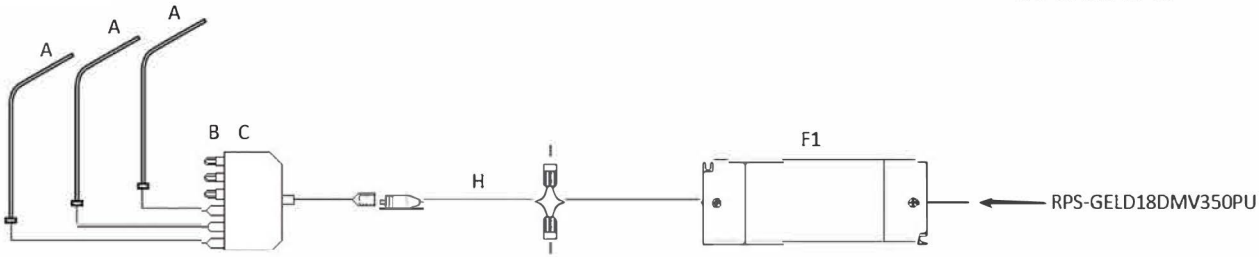
Plug and Play wiring



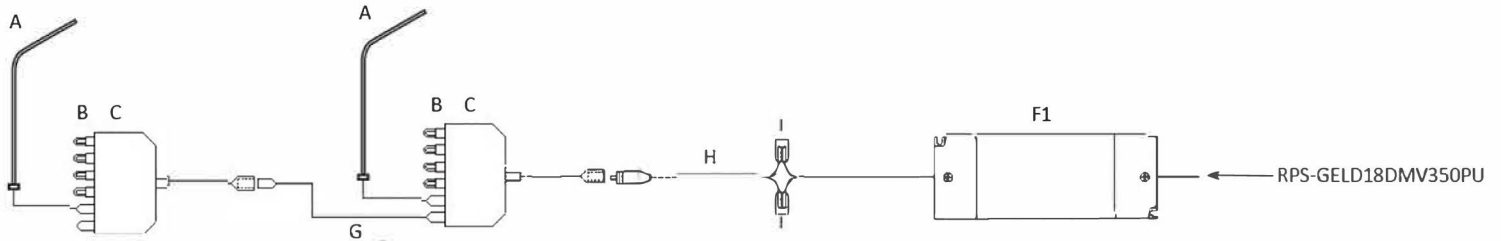
Alternate Plug and Play wiring



Hard-wired



Alternate Hard-wired



Max wiring distance between power supply and fixture is 20 feet. Up to six fixtures can be wired to a single distribution box (CC-6SP-500).

<b>A</b>	Reed Series - Curve	<b>F1</b>	RPS-GELD18DMV350PU, Constant Current Power Supply-Hardwire (Min. # fixtures = 1, Max. # fixtures = 16)
<b>B</b>	CC-6SP-JP (Jumper)	<b>G</b>	CC-1000-2, Constant Current extension cables in 1M, 1.5M & 2M CC-1500-2, CC-2000-2
<b>C</b>	CC-6SP-500 (5 jumpers included)	<b>H</b>	CC-100-01M, 4" Constant Current Male with pigtail
<b>D</b>	CC-AD00-2, 4" adapter cable. Male DC converter plug to male constant current	<b>I</b>	221-412, Wire Clamp
<b>E1</b>	RPS-CC-350-8-WP, Constant Current Power Supply- Plug n Play (Max. # fixtures = 7)		
<b>E2</b>	RPS-CC-350-12-WP, Constant Current Power Supply- Plug n Play (Max. # fixtures=10)		