

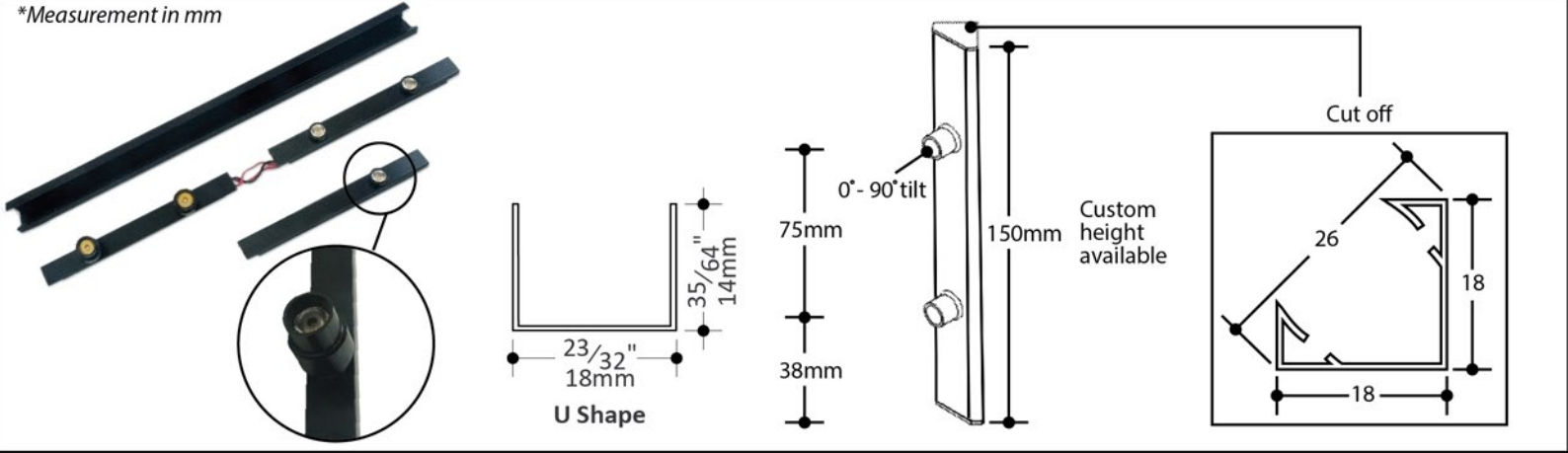


Revlite Technologies Inc

Part # **4003-Track**

Type	
Project	
Catalog No.	

*Measurement in mm



DESCRIPTION

- Designed to be discreetly installed into wooden or metal and glass display cases.
 - Two types of tracks are available; "U" shaped linear channel or "V" shaped corner channel up to 60" in length.
 - Two styles of 6" modules. One with fixed beam LED light heads and one with adjustable LED light heads; linkable.
 - Available in single head or double head.
 - Also a custom module that can be up to 60" in length with continuous LED strip and frosted lens.
 - Modules can slide anywhere along the track with blanks available to conceal the wiring and keep the track tidy.
 - Designed as a CVD (24V Constant Voltage Drive) fixture for convenience, safety and ease of installation.
 - **Adjustable Module Dims:** 6" x 1 3/8" x 19/32" (150mm L x 35mm W x 15mm H)
 - **Fixed Module Dims:** 6" x 3/18" x 19/32" (150mm L x 15mm W x 15mm H)
 - **Single Module Dims:** 6" x 3/18" x 19/32" (150mm L x 15mm W x 15mm H)
 - **Module with track Dims:** custom size available
- * This fixture must be ordered in 2 components: 1. the track 2. the module

APPLICATIONS

- Retail Displays
- Restaurant and Bar shelving, Wine and Liquor Displays
- Showcase Lighting

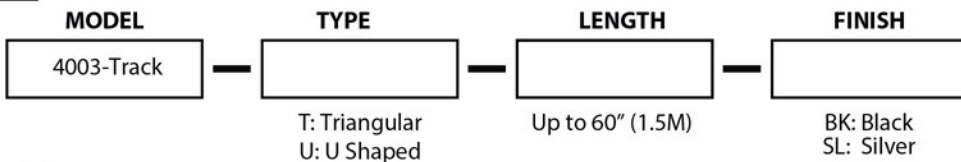
SPECIFICATIONS

Input Voltage	Remote driver 110 VAC in 24VDC
Wattage	1.5W / 3.0W
Colour Temp	3000K / 4000K / 5000K
Lumen Output	120 lumens at 3000K
CRI	>80
Beam Angle	30°
Power Factor	0.93
Lamp Life	>50,000 hours
Environment	IP20
Certification	cULus
Warranty	5 years if driver supplied by Revlite

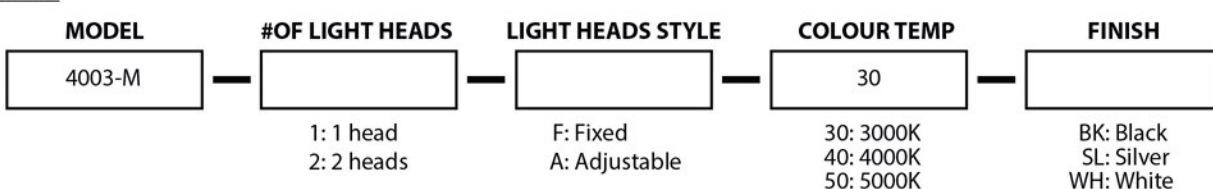
* Product specifications subject to change without notice.

ORDERING INSTRUCTIONS

Track



Module



Example: 4003-TR-T-40-BK = 4003 Track triangular - 40" Black. 4003-M-2-A-30-BK = 4003 2 Head module adjust 3000K - Black



www.revlite.com
info@revlite.com
Phone: 416-299-7211

50 Ironside Crescent, Unit 4
Toronto, ON M1X 1G4

