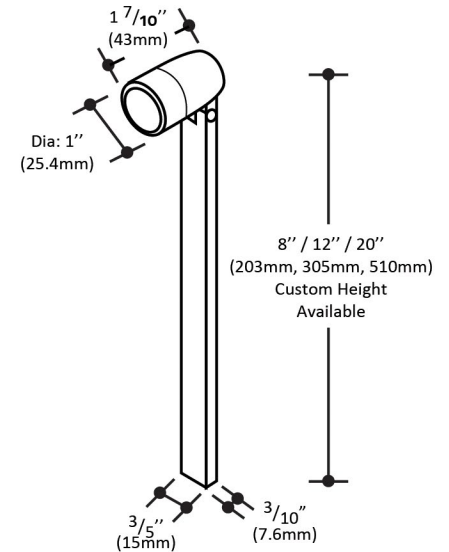


*Measurement in inches



DESCRIPTION

- Design brief was to produce a showcase fixture that would ensure illumination of objects in showcases where the product mix changes without requiring a change of fixture or other modification to an expensive showcase.
- A versatile variant of the original 4003 stem light now with a zoom light beam function.
- Similar architecture and functionality as the 4003 original.
- Additional articulation at the joint allows light beam control from 0° to 90° in the vertical direction.
- Shade of light head extends to control the beam angle from a wide angle of 60° to a spot of 20°.
- Zen-Like ultra clean minimalist design.
- High colour accuracy of 90+ CRI.
- 3.6W total with 300 lumens of illumination.
- Fixed stem heights of 8", 12" 20" (203mm, 305mm, 510mm) or Custom stem heights available up to a maximum of 20" (510mm).
- Custom finishes available.
- cULus Listed.

APPLICATIONS

- Showcase Lighting
- Retail Displays
- Exhibit Lighting

SPECIFICATIONS

Input Voltage	120-277VAC(universal); 350mA or 500mA
Wattage	3.6W
Colour Temp	2700K / 3000K / 3500K / 4000K / 5000K
Lumen Output	300Lm; 84Lm/W
CRI	>90
Beam Angle	20°- 60°
Power Factor	0.93
Lamp Life	>50,000 hours
Environment	IP20
Certification	cULus
Warranty	5 years - see published warranty terms for details

* Product specifications subject to change without notice.

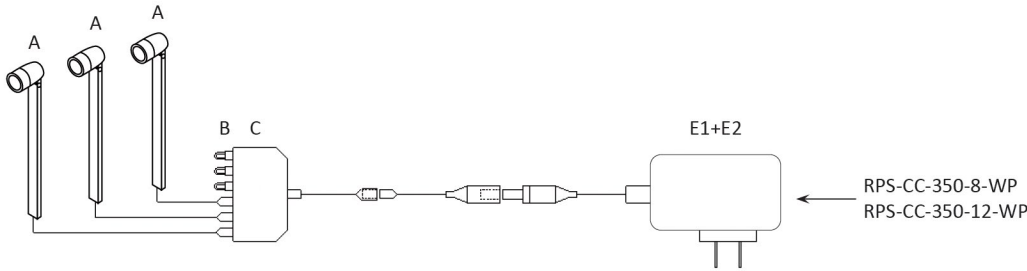
ORDERING INSTRUCTIONS

MODEL	STEM HEIGHT(IN)	COLOUR TEMP	FINISH
4003-STEM-Zoom	Custom Height Up to 20" (510mm) Increments: 1/16" (1.6mm)	27: 2700K 30: 3000K 35: 3500K 40: 4000K 50: 5000K	BK: Black SL: Silver PL: Polished WH: White CU: Custom

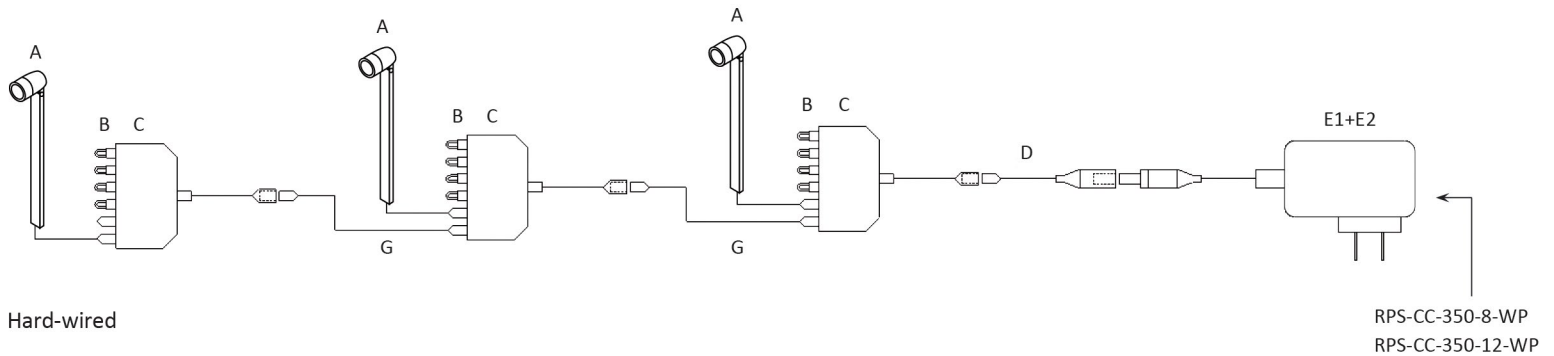
Example: 4003-STEM-Zoom-12-30-BK = 4003-STEM-Zoom, stem height 12 inches, 3000K, black finish

WIRING DIAGRAM - For reference purposes only. Not for installation. Not to scale.

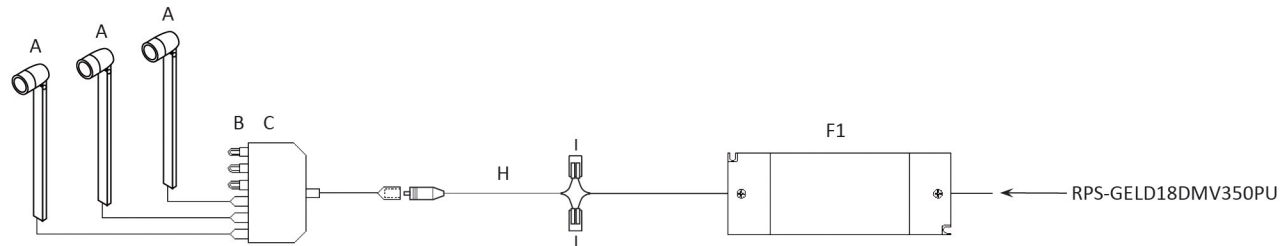
Plug and Play wiring



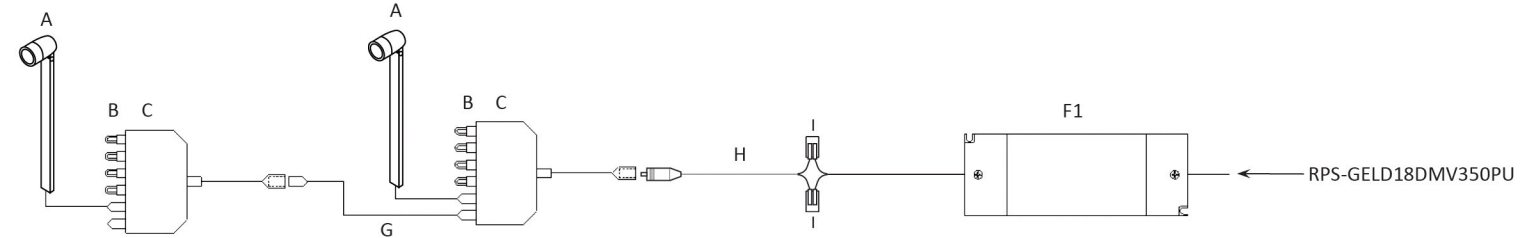
Alternate Plug and Play wiring



Hard-wired



Alternate Hard-wired



Max wiring distance between power supply and fixture is 20 feet. Up to six fixtures can be wired to a single distribution box (CC-6SP-500).

A	4003-STEM- Zoom	F1	RPS-GELD18DMV350PU, Constant Current Power Supply-Hardwire (Min. # fixtures = 1, Max. # fixtures = 16)
B	CC-6SP-JP (Jumper)	G	CC-1000-2, Constant Current extension cables in 1M, 1.5M & 2M CC-1500-2, CC-2000-2
C	CC-6SP-500 (5 jumpers included)	H	CC-100-01M, 4" Constant Current Male with pigtail
D	CC-AD00-2, 4" adapter cable. Male DC converter plug to male constant current	I	221-412, Wire Clamp
E1	RPS-CC-350-8-WP, Constant Current Power Supply- Plug n Play (Max. # fixtures = 7)		
E2	RPS-CC-350-12-WP, Constant Current Power Supply- Plug n Play (Max. # fixtures=10)		