

## DESCRIPTION

- Ultra slim 1/4'' (6mm) diameter stem.
- Zen-Like ultra clean minimalist design.
- 3 separate soft focus beam angles of 20°, 40° and 60° available.
- High colour accuracy of 90+ CRI.
- 1.5W total with 120 lumens of illumination delivered onto the object.
- Stems are fully height adjustable from 4'' (100mm) to 11 3/4'' (300mm) however Custom stem heights available up to a maximum of 20'' (500mm).
- Fixture rotates 350 degrees and the light head is adjustable 40° downward from the horizontal.
- Stem height is fine Tuneable on site for exact site conditions.
- 3 standard finishes but custom colors are available upon request.
- Custom finishes available.
- cULus Listed.

## SPECIFICATIONS

|               |  |
|---------------|--|
| Input Voltage | 120-277VAC(universal); 350mA or 700mA              |
| Wattage       | 1W / 2W  |
| Colour Temp   | 3000K / 3500K / 4000K / 5000K                      |
| Lumen Output  | 90Lm / 180Lm; 90Lm/W                               |
| CRI           | >90  |
| Beam Angle    | 20° / 40° / 60°                                    |
| Power Factor  | 0.93   |
| Lamp Life     | >50,000 hours                                      |
| Environment   | IP20   |
| Certification | cULus  |
| Warranty      | 5 years - see published warranty terms for details |

\* Product specifications subject to change without notice.

## APPLICATIONS

- Showcase Lighting
- Retail Displays
- Exhibit Lighting

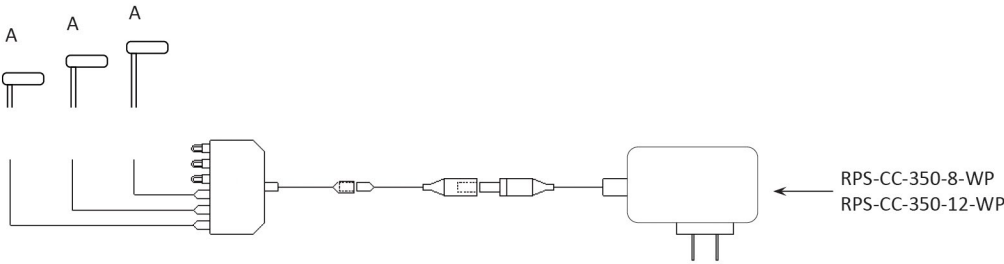
## ORDERING INSTRUCTIONS

| MODEL               | COLOUR TEMP                                      | BEAM ANGLE                             | FINISH                                  | HEIGHT(IN)                      |
|---------------------|--|--|---|---------------------------------|
| 4003-STEM-Spot-Mini |  |  |   |                                 |
|                     | 30: 3000K<br>35: 3500K<br>40: 4000K<br>50: 5000K | 20: 20 Deg<br>40: 40 Deg<br>60: 60 Deg | BK: Black<br>SL: Silver<br>PL: Polished | Custom Height<br>4'' - 11 3/4'' |

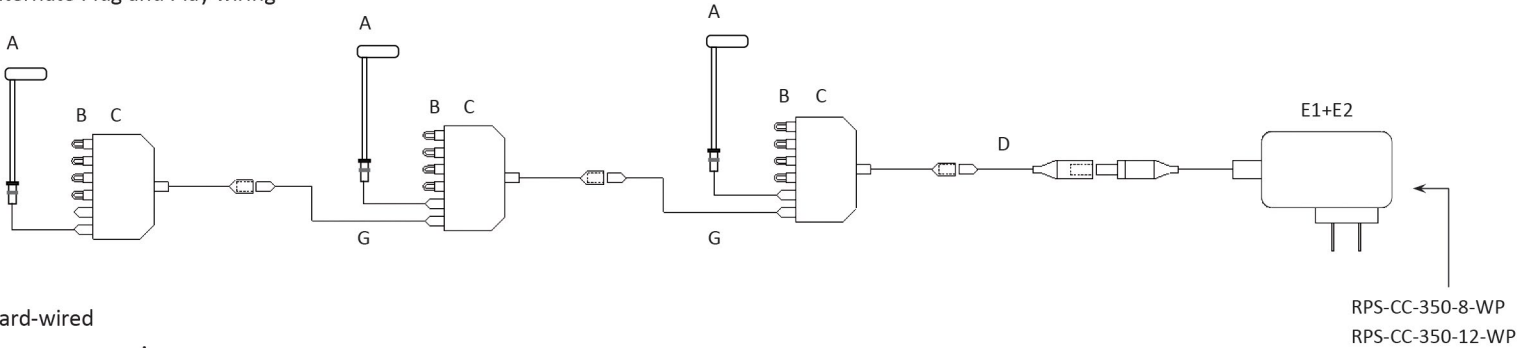
Example: 4003-STEM-Spot-Mini-30-20-BK-8 = 4003-STEM-Spot-Mini, 3000K, 20 degree beam angle, black finish, height 8 inches

**WIRING DIAGRAM - For reference purposes only. Not for installation. Not to scale.**

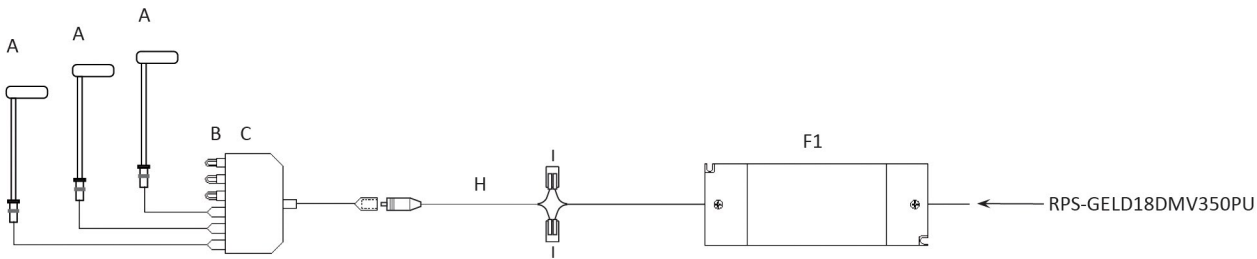
Plug and Play wiring



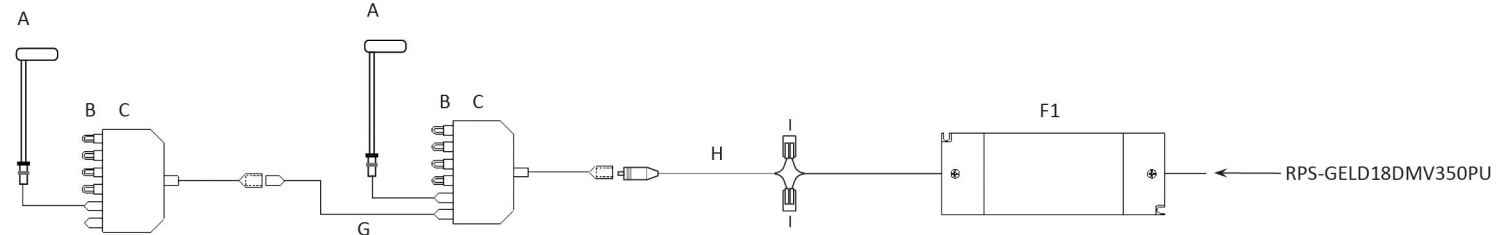
Alternate Plug and Play wiring



Hard-wired



Alternate Hard-wired



Max wiring distance between power supply and fixture is 20 feet. Up to six fixtures can be wired to a single distribution box (CC-6SP-500).

|           |   |           |  |
|-----------|---|-----------|--|
| <b>A</b>  | 4003-STEM-Spot-Mini   | <b>F1</b> | RPS-GELD18DMV350PU, Constant Current Power Supply-Hardwire (Min. # fixtures = 1, Max. # fixtures = 16) |
| <b>B</b>  | CC-6SP-JP (Jumper)  | <b>G</b>  | CC-1000-2, Constant Current extension cables in 1M, 1.5M & 2M<br>CC-1500-2, CC-2000-2                  |
| <b>C</b>  | CC-6SP-500 (5 jumpers included)   | <b>H</b>  | CC-100-01M, 4" Constant Current Male with pigtail  |
| <b>D</b>  | CC-AD00-2, 4" adapter cable. Male DC converter plug to male constant current      | <b>I</b>  | 221-412, Wire Clamp  |
| <b>E1</b> | RPS-CC-350-8-WP, Constant Current Power Supply- Plug n Play (Max. # fixtures = 7) |           |  |
| <b>E2</b> | RPS-CC-350-12-WP, Constant Current Power Supply- Plug n Play (Max. # fixtures=10) |           |  |