



| | |
|-------------|----------------|
| Type | |
| Project | |
| Catalog No. | |
| Date | February, 2021 |

30600-F

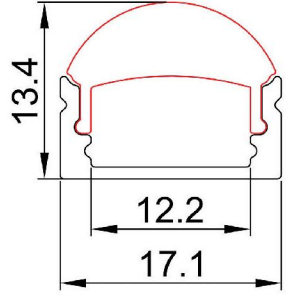
**Measurement in mm*



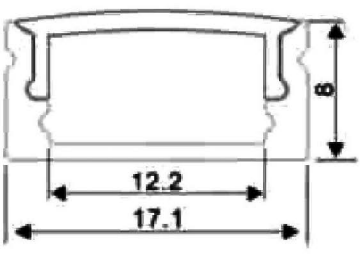
Shown With
Domed Frosted Lens
DFR



Shown With
Domed Frosted Lens
DFR



Profile With
Domed Frosted Lens
DFR



Profile With
Flat Frosted Lens
FFR

30600-F ACCESSORIES



End Cap with Hole
30600-F-ECH
End Cap without Hole
30600-F-ECNH



Aluminum Profile
30600-F-17-8



PMMA Domed Frosted Lens
30600-F-DFR
PC Flat Frosted Lens
30600-F-FR



30600-F Dome End Cap



Mounting Clip (Metal)
RL-2.5-002-MC



Adjustable Mounting Clip
RL-2.5-002-RC



| | |
|-------------|----------------|
| Type | |
| Project | |
| Catalog No. | |
| Date | February, 2021 |

DESCRIPTION

- As a custom house Revlite offers this fixture as a totally customized piece for the price of Off-the-Shelf.
- Available in several power options: from 1.3W/Ft to a very bright 6W/Ft.
- High Density (HD at 240 LEDs/M; 73 LEDs/Ft) LED architecture and high diffusion optics ensures the elimination of any hot spots and results in a monolithic appearance of a stream of light.
- Optional lenses; two flush lenses in frosted or high diffusion opal or a raised dome 60° narrower diffusion lens.
- High colour accuracy with 90+ CRI
- Custom lengths up to 8' (2.5m) in increments of 1/16" (1.6mm).
- Input and output connectors configured to customers choice of plug and play or hardwire power supply options.
- All parts are stocking items ensuring rapid build and shipping to site. On-site hook ups are DIY simple.
- 30600-F can easily be mounted using self adhesive tape, magnets or adjustable mounting clips.
- cULus Listed.

FEATURES

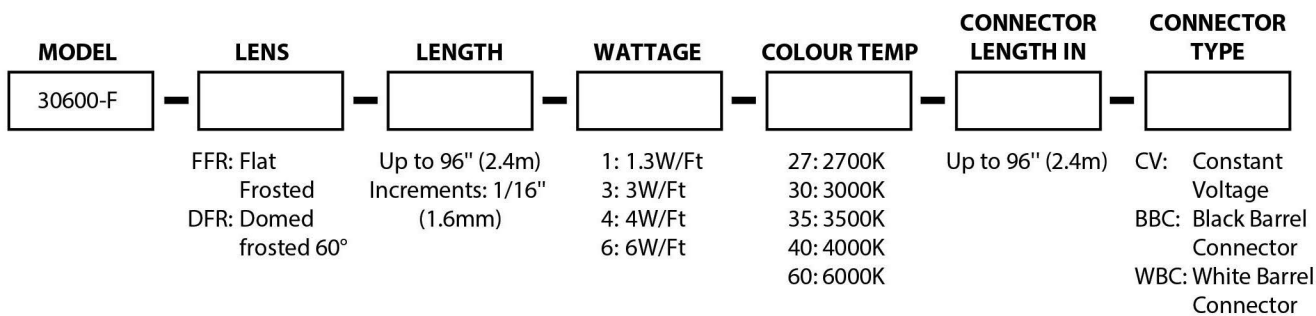
The fixtures come in custom lengths with quick connect cables and power feeds. Available in 4 different color temperature: 2700K; 3000K; 3500K; 4000K; 6000K

SPECIFICATIONS

| | |
|---------------|---|
| Input Voltage | 24V DC |
| Wattage | 6W/ft |
| Colour Temp | 2700K / 3000K / 3500K / 4000K / 6000K |
| Dimming | Yes |
| Lumen Output | 130 Lumens / Ft @ 1.3W/Ft, 300 Lumens / Ft @ 3W/Ft, 400 Lumens / Ft @ 4W/Ft, 560 Lumens @ 6W/Ft. Measured @ 4000K |
| CRI | >90+ |
| Beam Angle | 120° |
| Power Factor | >0.9 |
| Lamp Life | 50,000 hours |
| Environment | IP20 |
| Certification | cULus |
| Warranty | 5 years - see published warranty terms for details |

* Product specifications subject to change without notice.

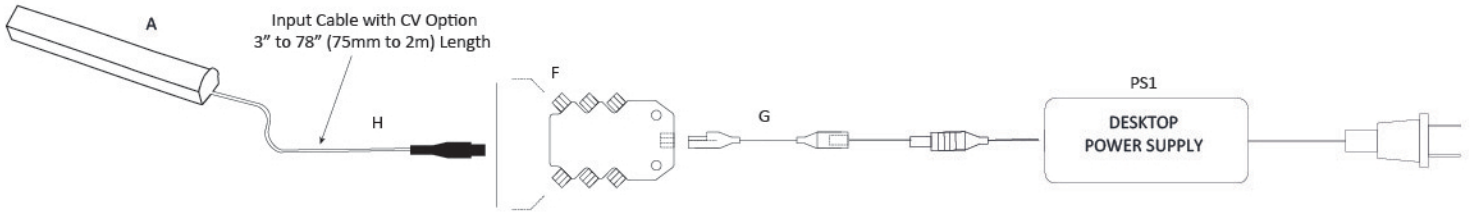
ORDERING INSTRUCTIONS



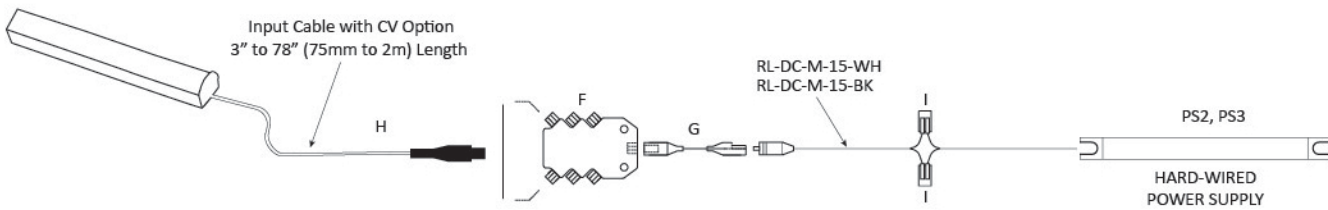
| | |
|-------------|----------------|
| Type | |
| Project | |
| Catalog No. | |
| Date | December, 2018 |

WIRING DIAGRAM - For reference purposes only. Not for installation. Not to scale.

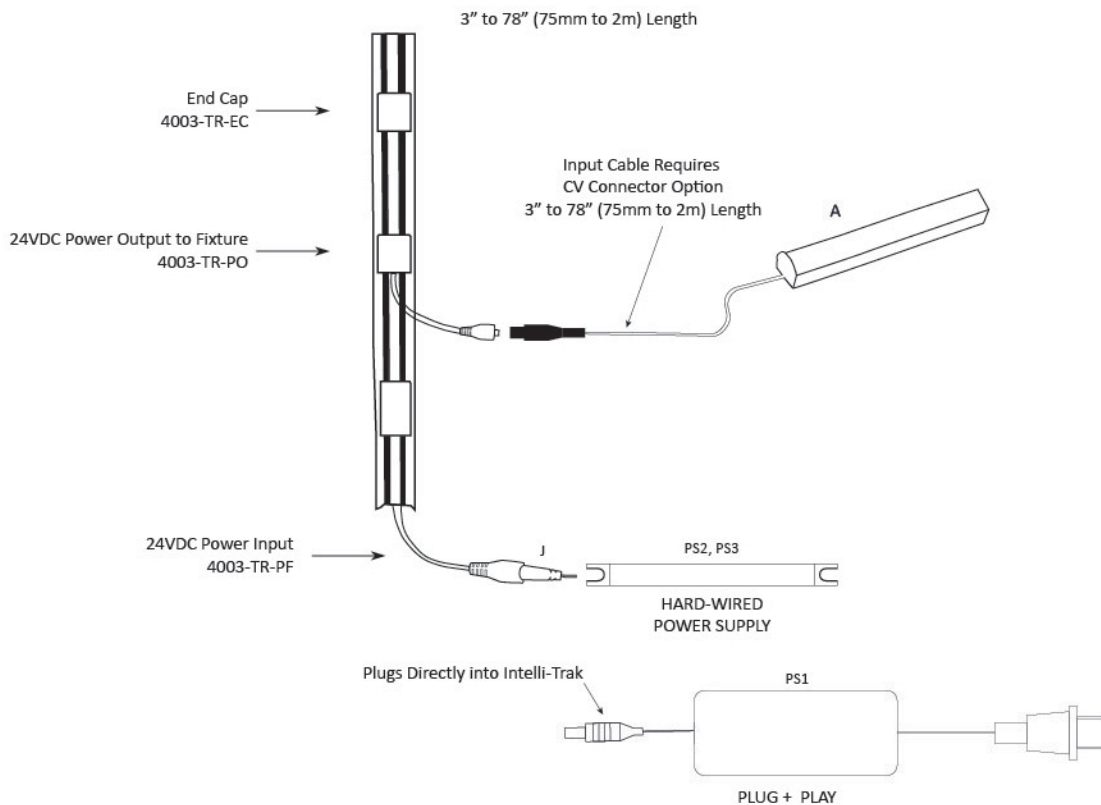
Option #1: Plug & Play to constant voltage 6 port junction box. Desktop power supply Wiring Diagram



Option #1: Hardwire. Hard-Wired Wiring Diagram to constant voltage 6 port junction box



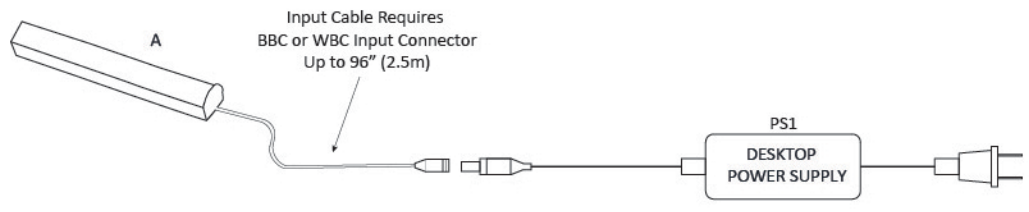
Option #3: Installation with Intelli-Trak



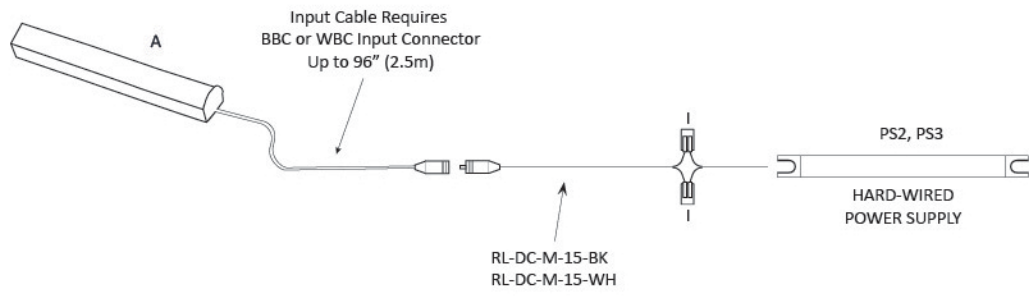
| | |
|-------------|----------------|
| Type | |
| Project | |
| Catalog No. | |
| Date | December, 2018 |

WIRING DIAGRAM - For reference purposes only. Not for installation. Not to scale.

Option #2: Plug & Play. Desktop power supply Wiring Diagram



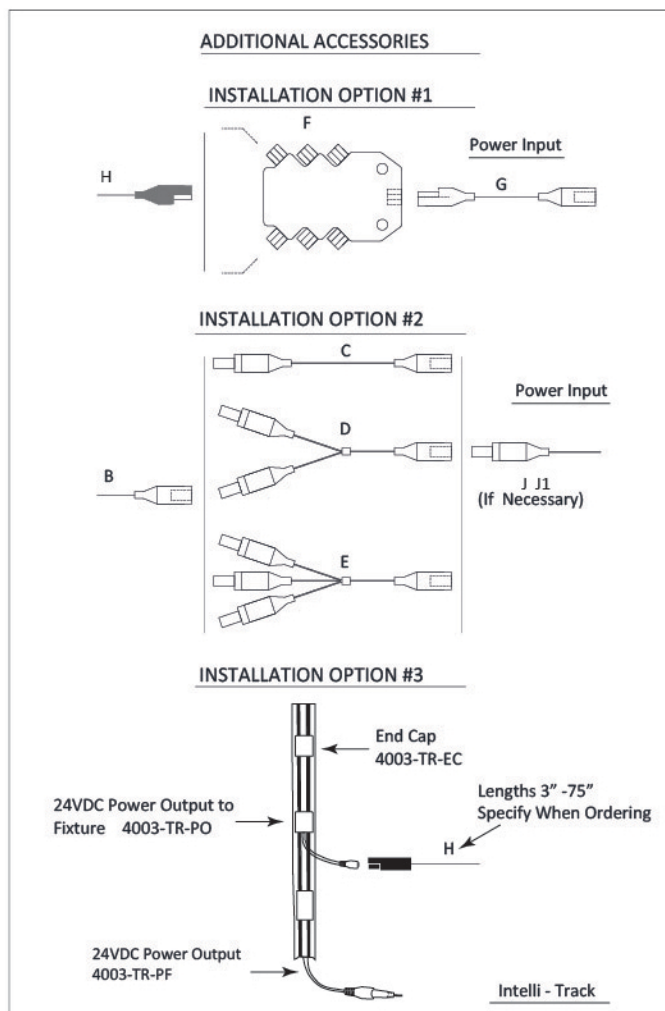
Option #2: Hardwire. Hard-Wired Wiring Diagram



| | |
|-------------|----------------|
| Type | |
| Project | |
| Catalog No. | |
| Date | December, 2018 |

PARTS LIST

| Part# | length | Description |
|-------|--|--|
| A | 8" - 48" (0.23m - 1.2m) | Linear LED light fixture |
| B | 18" (450mm) | Female DC barrel connector Black / White |
| C | 36" (915mm) | DC barrel connector extension Black / White |
| D | 15" (380mm) | DC barrel connector double splitter Black / White |
| E | 15" (380mm) | DC barrel connector triple splitter Black / White |
| F | | Constant voltage splitter box 6 port |
| G | 4" (100mm) | 4" (100mm) Adapter harness for plug and play power supply |
| G2 | 39" (1m) | Hardwire |
| H | 3" (75mm) | 3" (75mm) CV connector |
| I | | Wire clamp for hardwire connection |
| J | 15" (380mm) | 15" (380mm) hardwire adapter to DC barrel connector |
| J1 | | |
| | | Max. fixture (s) length @ 4 W/ft 13 W/M |
| PS1 | RPS-2424-120-240 RPS-2460-120-240 RPS-2490-120-240 | 6 ft (1.8m) 15 ft (4.5m) 22 ft (6.75m) |
| PS2 | RPS-VLM60W-24 RPS-VLM100W-24 RPS-LPV60-24 RPS-LPV100-24 | 15 ft (4.5m) 23.5 ft (7m) 15 ft (4.5m) 23.5 ft (7m) |
| PS3 | RPS-LV60-24T-1227-KK RPS-LV96-24T-1227-JJ | 15 ft (4.5m) 23.5 ft (7m) |



Note: Maximum fixture length is 8'(2.4m) with center support. Longer fixture lengths are shown in the chart in case customer needs to connect 3" more than one fixture per driver.

FIXTURE WIRING ACCESSORIES - INSTALLATION OPTION #1



CV-1000-2-1224

39" (1M) extension cable with PD connectors.



CV-6SP-1224

DC 6-port constant voltage distribution box with PD in/out connector.



CV-AD100-2-1224

12VDC 3"(75mm) adapter cable DC to female PD connector.



221-412

2 Conductor Lever Nut

- 28 to 12 AWG (stranded or solid)
- 600V / 20A Max
- Strip length: 3/8" (10mm)
- Operating temperature: 221 deg F
- cULus Class listed

| | |
|-------------|----------------|
| Type | |
| Project | |
| Catalog No. | |
| Date | December, 2018 |

FIXTURE WIRING ACCESSORIES - INSTALLATION OPTION #2



RL-DC-1-WH
RL-DC-1-BK
RL-DC-2.5-WH
RL-DC-2.5-BK

- 39" (1M) LED Driver Extension Cable. (RL-DC-1-BK, WH)
- 8' (2.5M) LED Driver Extension Cable. (RL-DC-2.5-BK, WH)



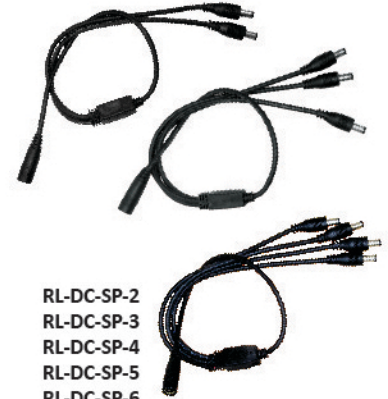
RL-DC-F-15-BK
RL-DC-F-15-WH

- 12" (305mm) Female 2-Wire Input Power Connector
- For connecting plug-and-play supplies to hard-wire equipment or lighting controllers



RL-DC-M-15-BK
RL-DC-M-15-WH

- 12" (305mm) Male 2-Wire Output Power Connector
- For connecting plug-and-play supplies to hard-wire equipment or lighting controllers



RL-DC-SP-2
RL-DC-SP-3
RL-DC-SP-4
RL-DC-SP-5
RL-DC-SP-6

- 15" (380mm) total length
- 2-Way split power feed
- 3-Way split power feed
- 4-Way split power feed
- 5-Way split power feed
- 6-Way split power feed



RPS-VLM60W-24

- Hard Wire DC Power Supply
- Non dimmable
- 5 1/4"L x 3/4"W x 3/4"H (133mm x 19mm x 19mm)
- Input / Output: 120-277VAC / 24VDC
- Wattage: 60W Max
- c-UL-us listed, Class 2



RPS-VLM100W-24

- Hard Wire DC Power Supply
- Non dimmable
- 5 3/8"L x 1.0"W x 3/4"H (137mm x 25mm x 19mm)
- Input / Output: 120-277VAC / 24VDC
- Wattage: 96W Max
- c-UL-us listed, Class 2



RPS-LPV-100-24
RPS-LPV-60-24

- Hard Wire DC Power Supply
- Non dimmable, auto reset
- 7 1/2" L x 2"W x 1 1/2"H (190mm x 51mm x 38mm)
- Input / Output: 120-264VAC / 24VDC
- Wattage: 60W Max; 100W Max
- c-UL-us listed, Class 2
- IP 67



RPS-2424-120-240

- Desktop Power Supply
- May be dimmed with RL-DIM-PWM
 - 3 1/2"L x 1 7/8"W x 1 1/4"H (89mm x 48mm x 31mm)
 - Input/Output: 100-240V AC / 24V DC
 - Wattage: 24W Max.
 - cULus listed. LPS



RPS-2460-120-240

- Desktop Power Supply
- May be dimmed with RL-DIM-PWM
 - 4 1/2"L x 2"W x 1 1/4"H (114mm x 51mm x 31mm)
 - Input/Output: 100-240V AC / 24V DC
 - Wattage: 60W Max.
 - cULus listed. LPS



RPS-2490-120-240

- Desktop Power Supply
- May be dimmed with RL-DIM-PWM
 - 5 5/8"L x 2 1/2"W x 1 1/2"H (143 mm x 63mm x 38mm)
 - Input/Output: 100-240V AC / 24V DC
 - Wattage: 90W Max.
 - cULus listed. LPS.



RPS-LV60-24T-1227-KK (Dimmable)

- Hard Wire DC Power Supply
- Dimmable with RL-DIM-DVLLV-W1, auto reset, Triac Dimmable
- 7 1/2"L x 2"W x 1 1/2"H (191mm x 51mm x 38mm)
- Input / Output: 120-264VAC / 24VDC
- Wattage: 60W Max
- cULus listed, Class 2
- IP 67



RPS-LV96-24T-1227-JJ (Dimmable)

- Hard Wire DC Power Supply
- Dimmable with RL-DIM-DVLLV-W1 dimmer, Triac Dimmable
- Resettable
- 10"L x 3.3"W x 3"H (254mm x 86mm x 75mm)
- Input / Output: 120-277VAC / 24VDC
- Wattage: 100W Max
- cULus listed, Class 2
- Equipped with rain tight junction box rated for outdoor use