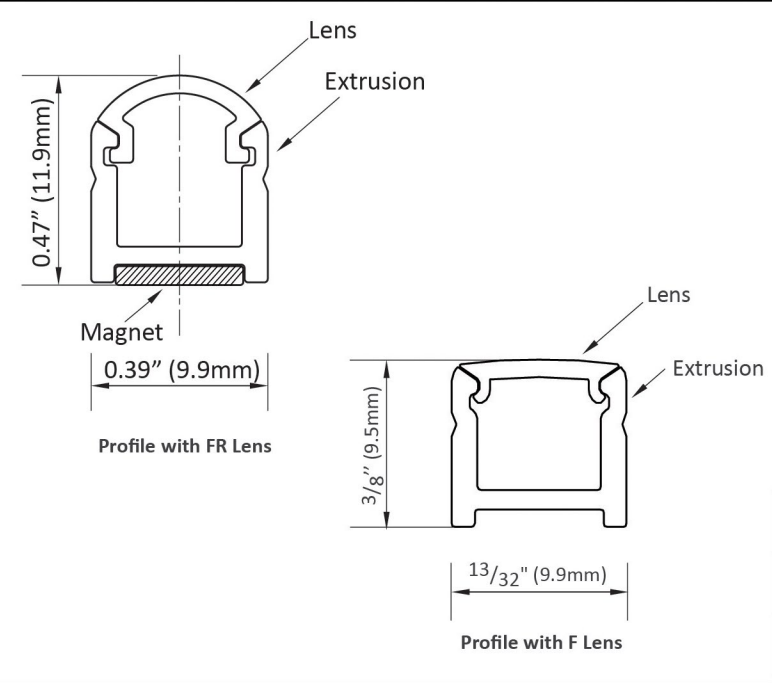
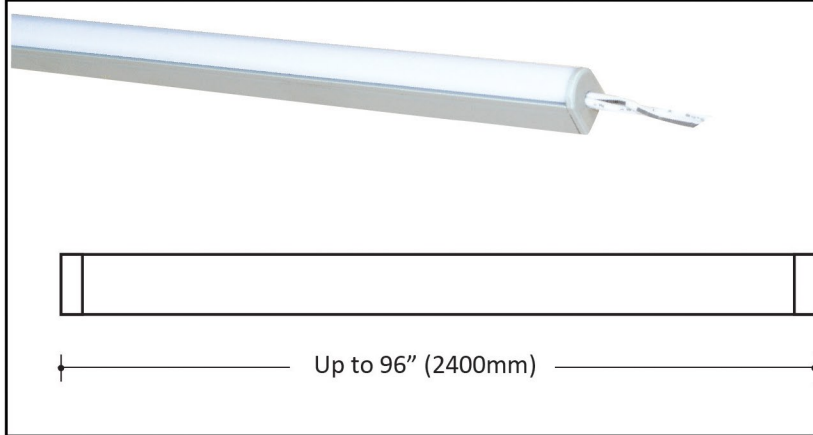


Type	
Project	
Catalog No.	



### DESCRIPTION

- A customizable Ultra Slim light fixture designed to manufactured in custom lengths up to 8' (2.5m) long.
- For longer lengths consult factory.
- A miniature extrusion profile of 10mm (less than 7/16") with optics delivering a 90° beam angle.
- Two lenses.
- Customizable with Ultra High-Density LEDs (UHD-LED@ 60LEDs/Ft or 180 LEDs/M) ensure monolithic light beam in a tiny extrusion.
- Fixtures are connected using polarized connecting cables 3"(76.2mm) - 48"(1219mm) to ensure a path around objects in a display.
- Intelli-Trak compatible.
- Multiple installation options available including, clips, rotatable clips (30° rotation), magnets allowing either horizontal or vertical installation.
- Custom lengths up to 8' (2.5m) in increments of 1/16" (1.59mm). When ordering, please use a Revlite Lumina Series order form \*\*\*.
- Two power / illumination level options: 4W/Ft and 6W/Ft.
- High color accuracy of 90+ CRI
- Highly engineered thermal management in a fixture with this small a cross section and with UHD LED in a 6W/ft. configuration.
- An extensive list of accessories and connectors available plus Intelli-Trak compatibility make this fixture one of the most versatile linear's in the market today.
- cULus Listed.

### APPLICATIONS

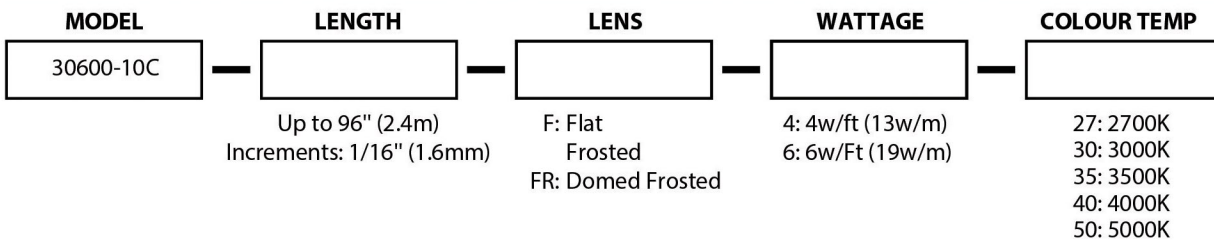
- Retail Displays
- Cove Lighting
- Signage
- Shelf Lighting
- Showcase Lighting
- Under Cabinet Lighting
- Backlighting
- Toe Kick Lighting

### SPECIFICATIONS

Input Voltage	24V DC
Wattage	4w/ft (13w/m), 6w/ft (19w/m)
Colour Temp	2700K / 3000K / 3500K / 4000K / 5000K
Dimming	Optional
Lumen Output	570 lumens/ft (1870 lumens/m)
CRI	>90
Beam Angle	90°
Power Factor	>0.9
Lamp Life	50,000 hours
Environment	IP20
Certification	cULus
Warranty	5 years - see published warranty terms for details

\* Product specifications subject to change without notice.

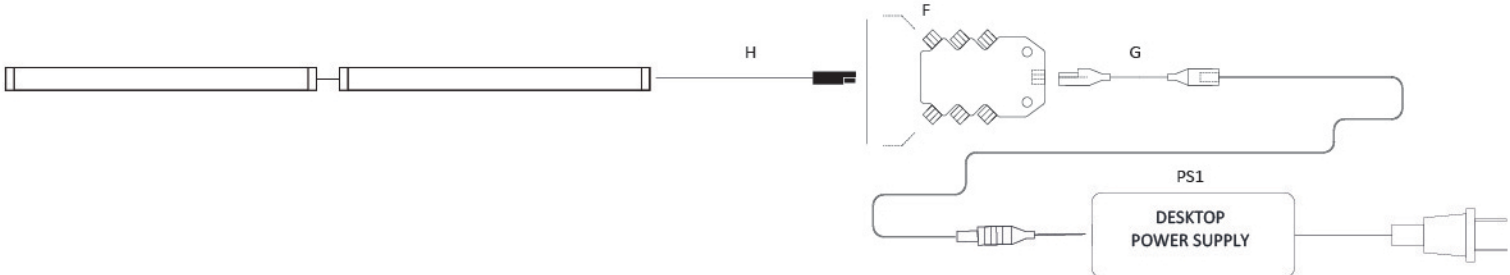
### ORDERING INSTRUCTIONS



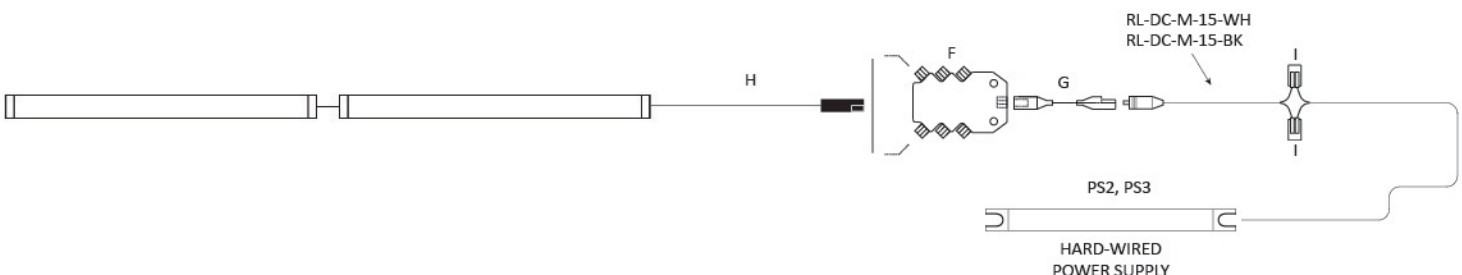
Type	
Project	
Catalog No.	

**WIRING DIAGRAM - For reference purposes only. Not for installation. Not to scale.**

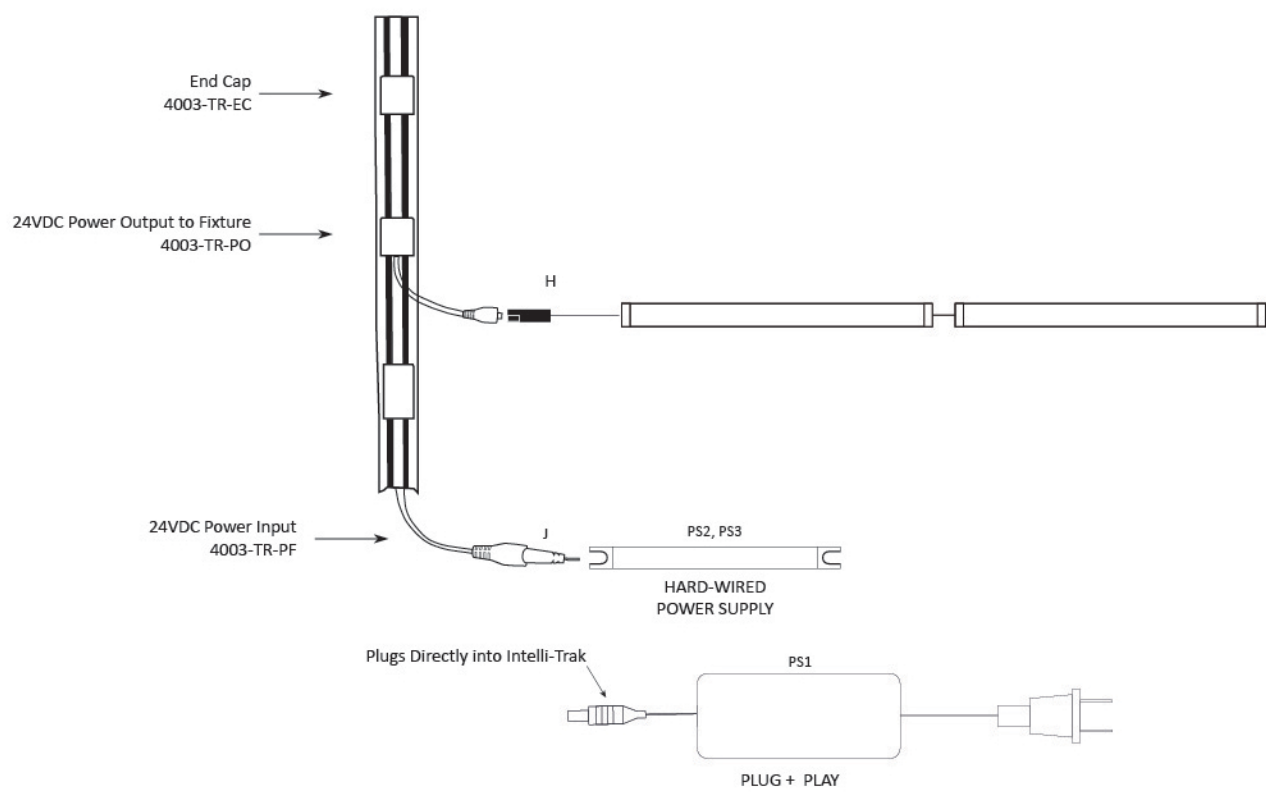
Option #1: Plug & Play to constant voltage 6 port junction box. Desktop power supply Wiring Diagram



Option #1: Hardwire. Hard-Wired Wiring Diagram to constant voltage 6 port junction box



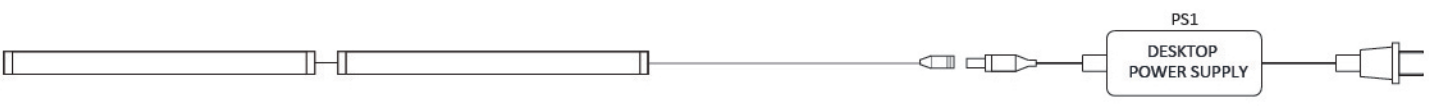
Option #3: Installation with Intelli-Trak



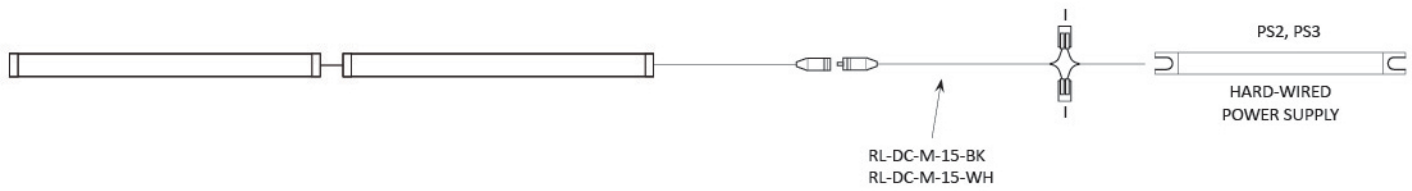
Type	
Project	
Catalog No.	

**WIRING DIAGRAM - For reference purposes only. Not for installation. Not to scale.**

Option #2: Plug & Play. Desktop power supply Wiring Diagram

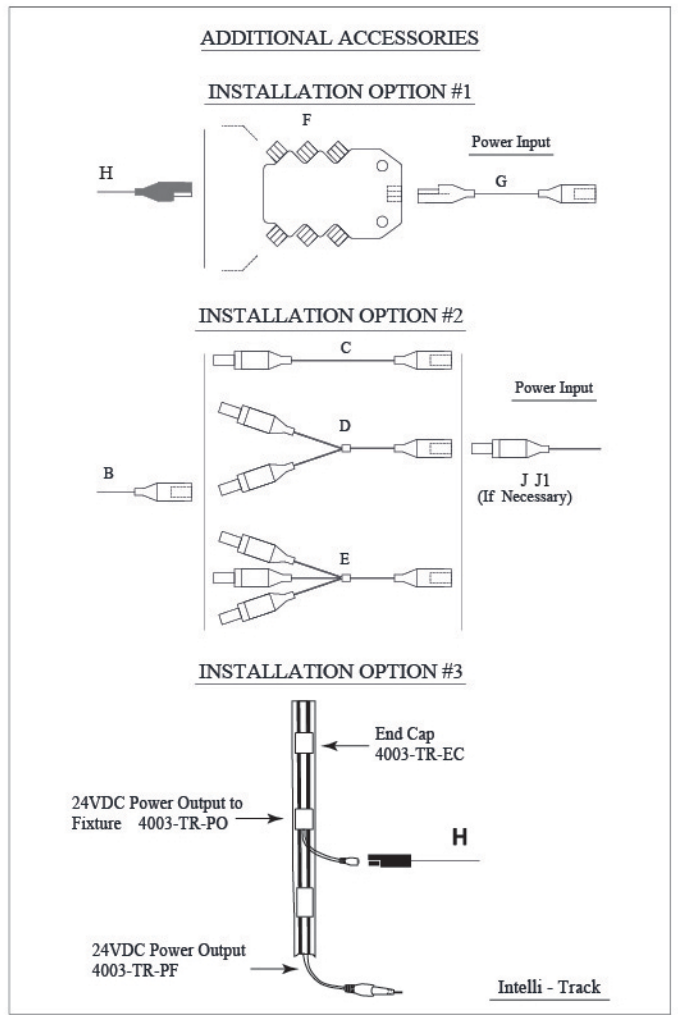


Option #2: Hardwire. Hard-Wired Wiring Diagram



**PARTS LIST**

Part#	length	Description
A	30600-10	8" - 48" (0.23m - 1.2m) Linear LED light fixture
B	30600-18-DC-WH	18" (450mm) Female DC barrel connector Black / White
C	RL-DC-1-BK RL-DC-1-WH	36" (915mm) DC barrel connector extension Black / White
D	RL-DC-SP-2	15" (380mm) DC barrel connector double splitter Black / White
E	RL-DC-SP-3	15" (380mm) DC barrel connector triple splitter Black / White
F	CV-6SP-1224	Constant voltage splitter box 6 port
G	CV-AD100-2-1224	4" (100mm) Adapter harness for plug and play power supply
G2	CV-75-EC-24W	39" (1m) Hardwire
H	CV-75-EC-24B	3" (75mm) CV connector
I	221-412	Wire clamp for hardwire connection
J	RL-DC-M-15-BK RL-DC-M-15-WH	15" (380mm) hardwire adapter to DC barrel connector
J1		
		Max. fixture (s) length @ 4 W/ft 13 W/M
PS1	RPS-2424-120-240 RPS-2460-120-240 RPS-2490-120-240	6 ft (1.8m) 15 ft (4.5m) 22 ft (6.75m)
PS2	RPS-VLM60W-24 RPS-VLM100W-24 RPS-LPV60-24 RPS-LPV100-24	15 ft (4.5m) 23.5 ft (7m) 15 ft (4.5m) 23.5 ft (7m)
PS3	RPS-LV60-24T-1227-KK RPS-LV96-24T-1227-JJ	15 ft (4.5m) 23.5 ft (7m)



**Note:** Maximum fixture length is 8'(2.4m) with center support. Longer fixture lengths are shown in the chart in case customer needs to connect more than one fixture per driver.

**FIXTURE WIRING ACCESSORIES - INSTALLATION OPTION #1**



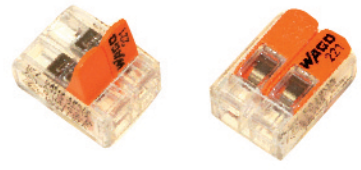
**CV-1000-2-1224**  
39" (1M) extension cable with PD connectors.



**CV-6SP-1224**  
DC 6-port constant voltage distribution box with PD in/out connector.



**CV-AD100-2-1224**  
12VDC 3"(75mm) adapter cable DC to female PD connector.



**221-412**  
2 Conductor Lever Nut  
• 28 to 12 AWG (stranded or solid)  
• 600V / 20A Max  
• Strip length: 3/8" (10mm)  
• Operating temperature: 221 deg F  
• cULus Class listed



Type	
Project	
Catalog No.	

**FIXTURE WIRING ACCESSORIES - INSTALLATION OPTION #2**



**RL-DC-1-WH**  
**RL-DC-1-BK**  
**RL-DC-2.5-WH**  
**RL-DC-2.5-BK**

- 39" (1M) LED Driver Extension Cable. (RL-DC-1-BK, WH)
- 8' (2.5M) LED Driver Extension Cable. (RL-DC-2.5-BK, WH)



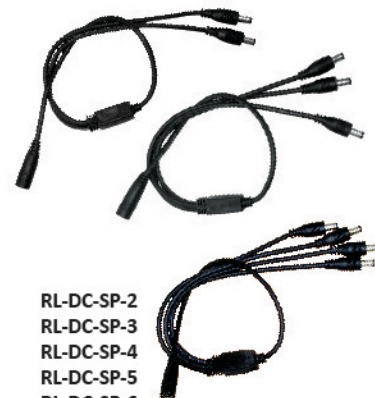
**RL-DC-F-15-BK**  
**RL-DC-F-15-WH**

- 12" (305mm) Female 2-Wire Input Power Connector
- For connecting plug-and-play supplies to hard-wire equipment or lighting controllers



**RL-DC-M-15-BK**  
**RL-DC-M-15-WH**

- 12" (305mm) Male 2-Wire Output Power Connector
- For connecting plug-and-play supplies to hard-wire equipment or lighting controllers



**RL-DC-SP-2**  
**RL-DC-SP-3**  
**RL-DC-SP-4**  
**RL-DC-SP-5**  
**RL-DC-SP-6**

- 15" (380mm) total length
- 2-Way split power feed
- 3-Way split power feed
- 4-Way split power feed
- 5-Way split power feed
- 6-Way split power feed



**RPS-VLM60W-24**

- Hard Wire DC Power Supply
- Non dimmable
- 5 1/4" L x 3/4" W x 3/4" H (133mm x 19mm x 19mm)
- Input / Output: 120-277VAC / 24VDC
- Wattage: 60W Max
- c-UL-us listed, Class 2



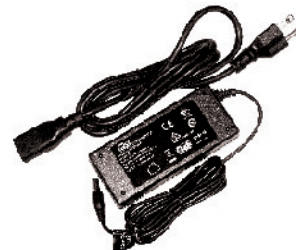
**RPS-VLM100W-24**

- Hard Wire DC Power Supply
- Non dimmable
- 5 3/8" L x 1.0" W x 3/4" H (137mm x 25mm x 19mm)
- Input / Output: 120-277VAC / 24VDC
- Wattage: 96W Max
- c-UL-us listed, Class 2



**RPS-LPV-100-24**  
**RPS-LPV-60-24**

- Hard Wire DC Power Supply
- Non dimmable, auto reset
- 7 1/2" L x 2" W x 1 1/2" H (190mm x 51mm x 38mm)
- Input / Output: 120-264VAC / 24VDC
- Wattage: 60W Max; 100W Max
- c-UL-us listed, Class 2
- IP 67



**RPS-2424-120-240**

- Desktop Power Supply
- May be dimmed with RL-DIM-PWM
  - 3 1/2" L x 1 7/8" W x 1 1/4" H (89mm x 48mm x 31mm)
  - Input/Output: 100-240V AC / 24V DC
  - Wattage: 24W Max.
  - cULus listed. LPS



**RPS-2460-120-240**

- Desktop Power Supply
- May be dimmed with RL-DIM-PWM
  - 4 1/2" L x 2" W x 1 1/4" H (114mm x 51mm x 31mm)
  - Input/Output: 100-240V AC / 24V DC
  - Wattage: 60W Max.
  - cULus listed. LPS



**RPS-2490-120-240**

- Desktop Power Supply
- May be dimmed with RL-DIM-PWM
  - 5 5/8" L x 2 1/2" W x 1 1/2" H (143mm x 63mm x 38mm)
  - Input/Output: 100-240V AC / 24V DC
  - Wattage: 90W Max.
  - cULus listed. LPS.



**RPS-LV60-24T-1227-KK (Dimmable)**

- Hard Wire DC Power Supply
- Dimmable with RL-DIM-DVLL-W1, auto reset, Triac Dimmable
- 7 1/2" L x 2" W x 1 1/2" H (191mm x 51mm x 38mm)
- Input / Output: 120-264VAC / 24VDC
- Wattage: 60W Max
- cULus listed, Class 2
- IP 67



**RPS-LV96-24T-1227-JJ (Dimmable)**

- Hard Wire DC Power Supply
- Dimmable with RL-DIM-DVLL-W1 dimmer, Triac Dimmable
- Resettable
- 10" L x 3.3" W x 3" H (254mm x 86mm x 75mm)
- Input / Output: 120-277VAC / 24VDC
- Wattage: 100W Max
- cULus listed, Class 2
- Equipped with rain tight junction box rated for outdoor use