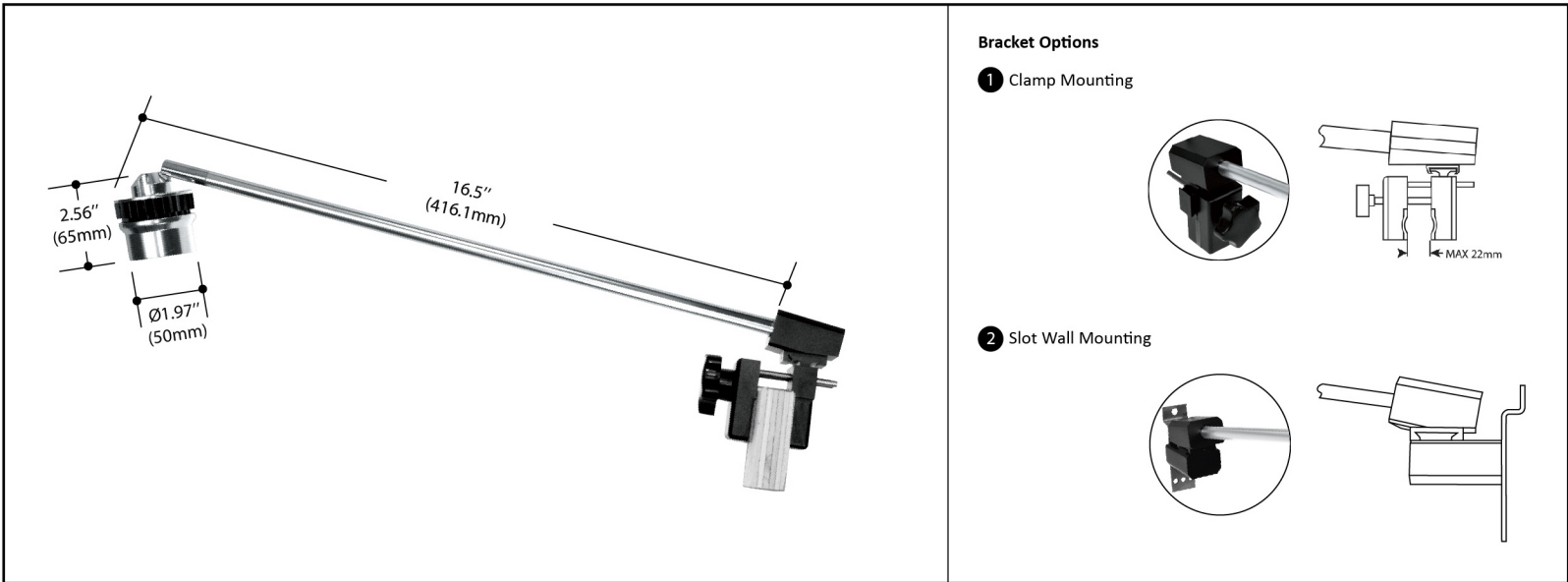


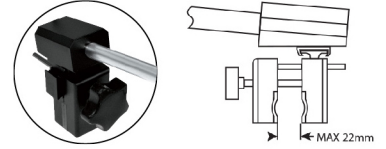
Type	
Project	
Catalog No.	

IMAGE

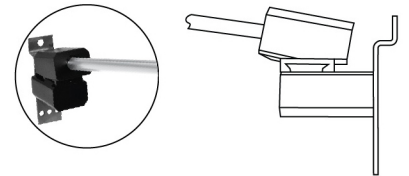


Bracket Options

1 Clamp Mounting



2 Slot Wall Mounting



DESCRIPTION

- Designed specifically for trade shows and or retail applications where slot wall is commonly used.
- A high output COB LED with adjustable light head
 - High CRI LED
 - Two power outputs at 4W & 8W (473 lumens / 820 lumens)
 - Supplied with mounting bracket for Slot Wall or Clamp bracket for shelving or tubing

APPLICATIONS

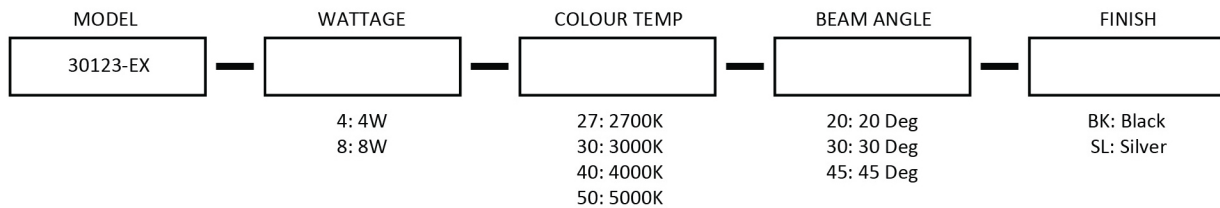
- Exhibit Lighting
- Retail Display Lighting
- Tradeshow Booths
- Kiosks
- Show Window Displays

SPECIFICATIONS

Input Voltage	24V DC
Wattage	4W / 8W
Colour Temp	2700K / 3000K / 4000K / 5000K
Lumen Output	473Lm (4W) / 820Lm (8W); 124Lm/W
CRI	90
Beam Angle	20° / 30° / 45°
Power Factor	0.93
Lamp Life	>50,000 hours
Environment	IP22
Certification	cULus
Warranty	5 years if driver supplied by Revlite

* Product specifications subject to change without notice.

ORDERING INSTRUCTIONS



Example: 30123-EX-4-30-20-BK = 30123-EX, 4W, 3000K, 20 degree beam angle, black finish