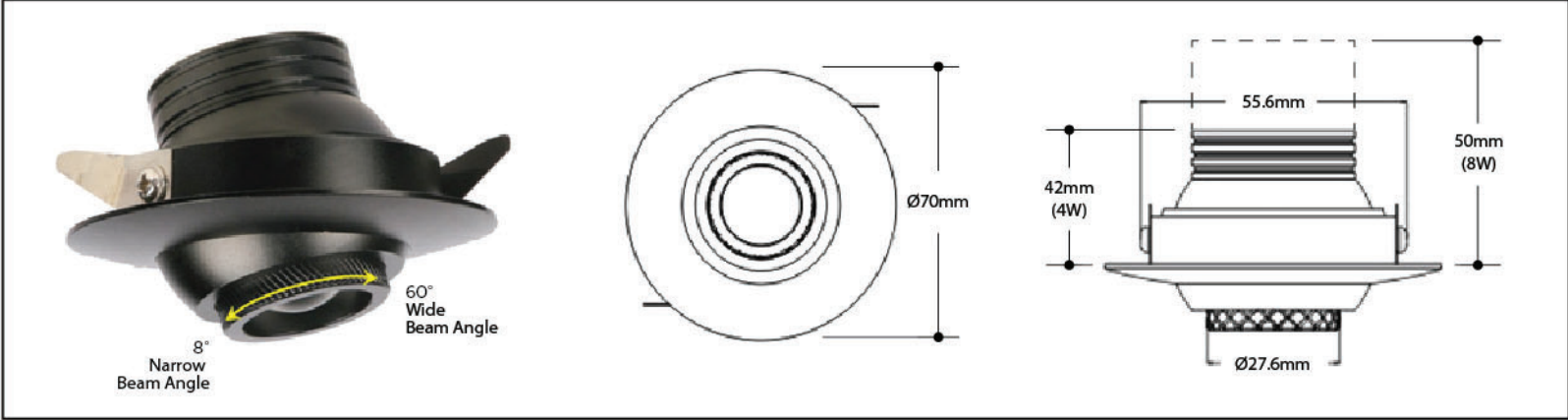


Type	
Project	
Catalog No.	



DESCRIPTION

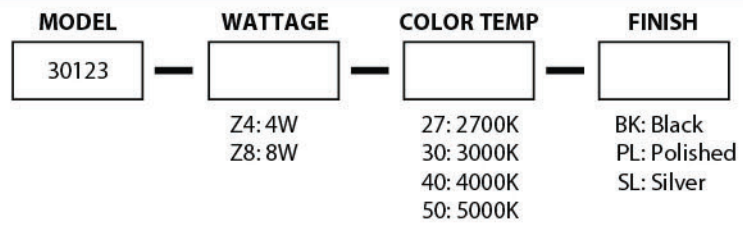
- For interior applications such as display cabinets and counters
- Recessed mounting springs – no tools required
- 42mm or 50mm mounting depth
- Power for this fixture is a constant voltage power supply of 12VDC making the unit very user and installer friendly and allowing as many as 12 units (4W) to be connected to one Class 2 power supply. No need for finicky constant current power supplies.
- Gimbal allows focusing of light upon desired products
- Infinitely variable zoom

SPECIFICATIONS

Input	12VDC	12VDC
Colour	3000K	4000K
LED Quantity	1 COB LED	1 COB LED
Wattage	4W / 8W	4W / 8W
Lumens	368 lm @ 4W / 720 lm @ 8W	408 lm @ 4W / 800 lm @ 8W
Efficacy	92 lm/W	102 lm/W
Lamp Life	50,000 hrs	50,000 hrs
Dimensions	70mm Dia	70mm Dia
	For 4W 41.5mm mounting depth	For 4W 41.5mm mounting depth
	For 8W 50mm mounting depth	For 8W 50mm mounting depth
Cut-Out	58mm	58mm
Environment	Dry	Dry
Beam Angle	8° - 60°	8° - 60°
Warranty	5 years	5 years

* Product specifications subject to change without notice.

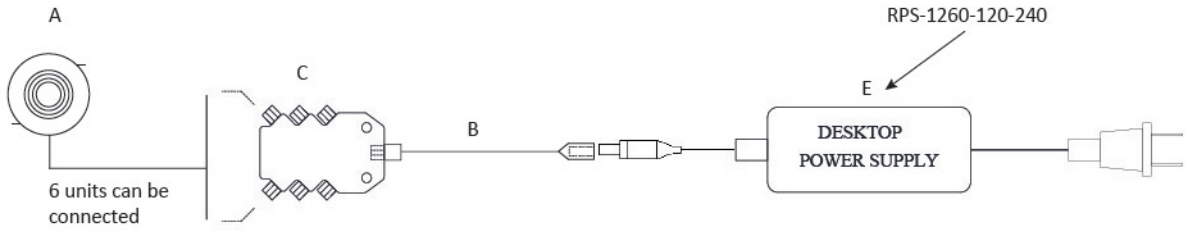
ORDERING INSTRUCTIONS



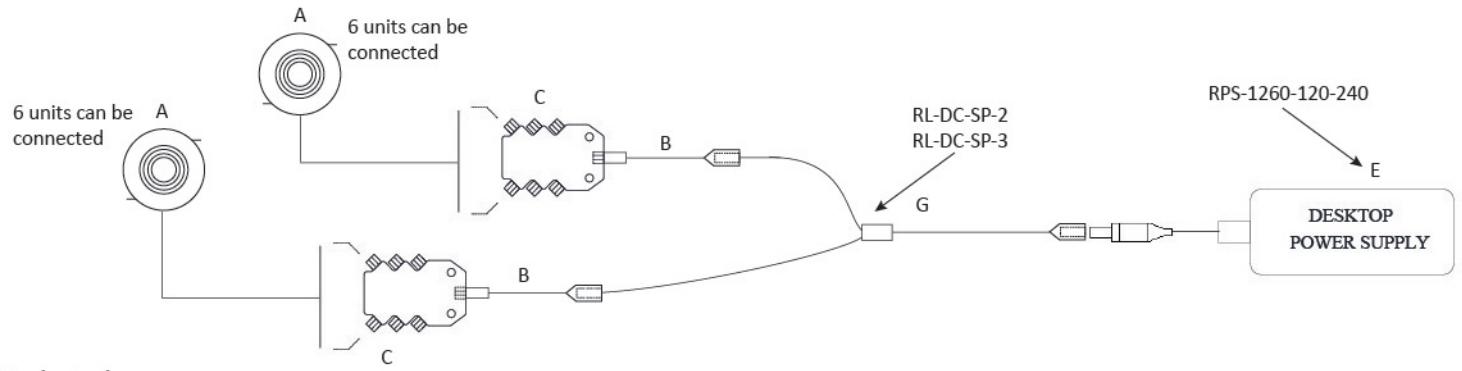
Example: 30123-Z4-30-BK = 30123, 4W, 3000K, black finish

WIRING DIAGRAM - For reference purposes only. Not for installation. Not to scale.

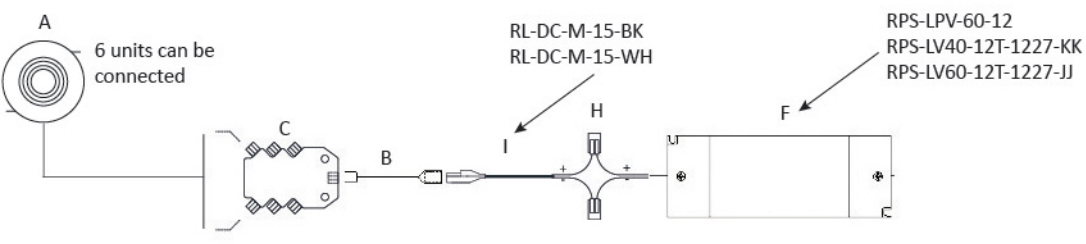
Plug and Play wiring



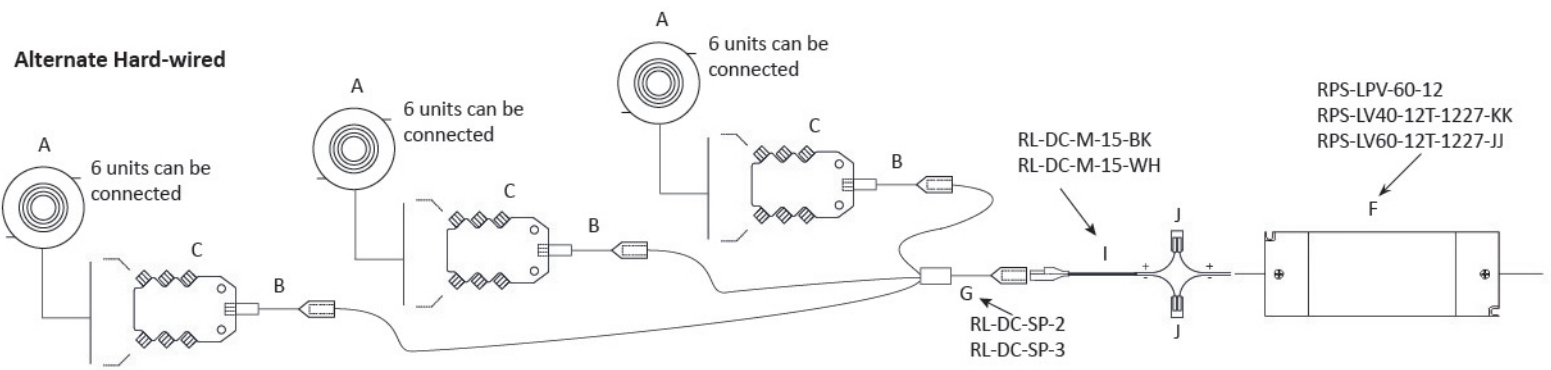
Alternate Plug and Play wiring



Hard-wired



Alternate Hard-wired



Max wiring distance between power supply and fixture is 20 feet (6m). Up to six fixtures can be wired to a single distribution box (CV-6SP-1224)

	length	Description		length	Description
A		30123-Z4 & 30123-Z8	F		RPS-LPV-60-12, RPS-LV40-12T-1227-KK, RPS-LV60-12T-1227-JJ Hardwire power supplies 60W
B	4" (100mm)	4" Adapter harness for plug and play power supply	G	15" (380mm)	RL-DC-SP-2, RL-DC-SP3 DC barrel connector double / triple splitter Black / White
C		CV-6SP-1224 Constant voltage splitter box 6 port	H		DL-PS-222-412 Wire clamps
E		RPS-1260-120-240 PLUG & PLAY Power supplies 60W	I		RL-DC-M-15-BK RL-DC-M-15-WH 15" DC Plug male