

Pulvérisateur agricole

Agricultural sprayer

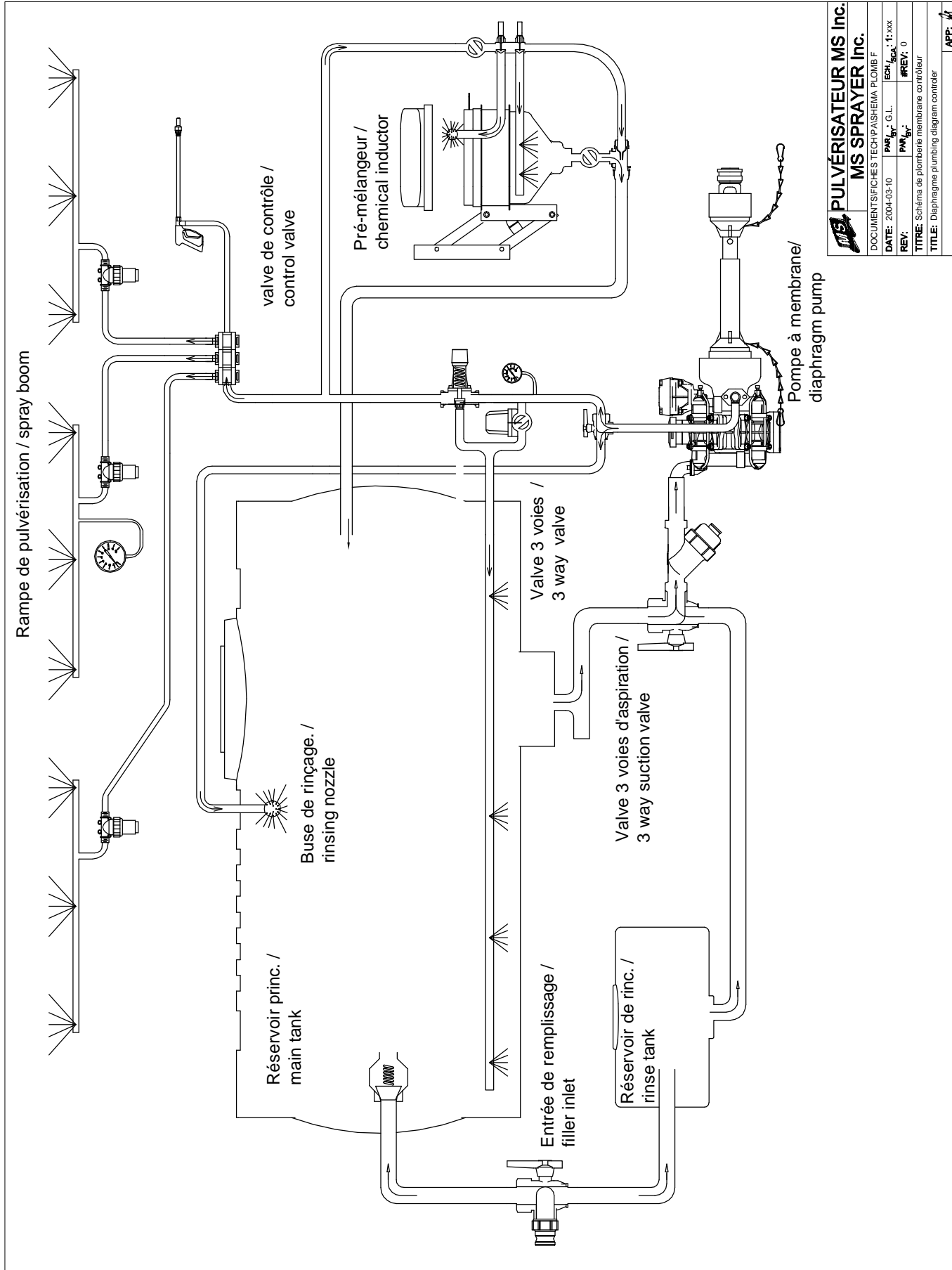
Modèle ● Model

T500H & T750JL

MS Gregson Inc.

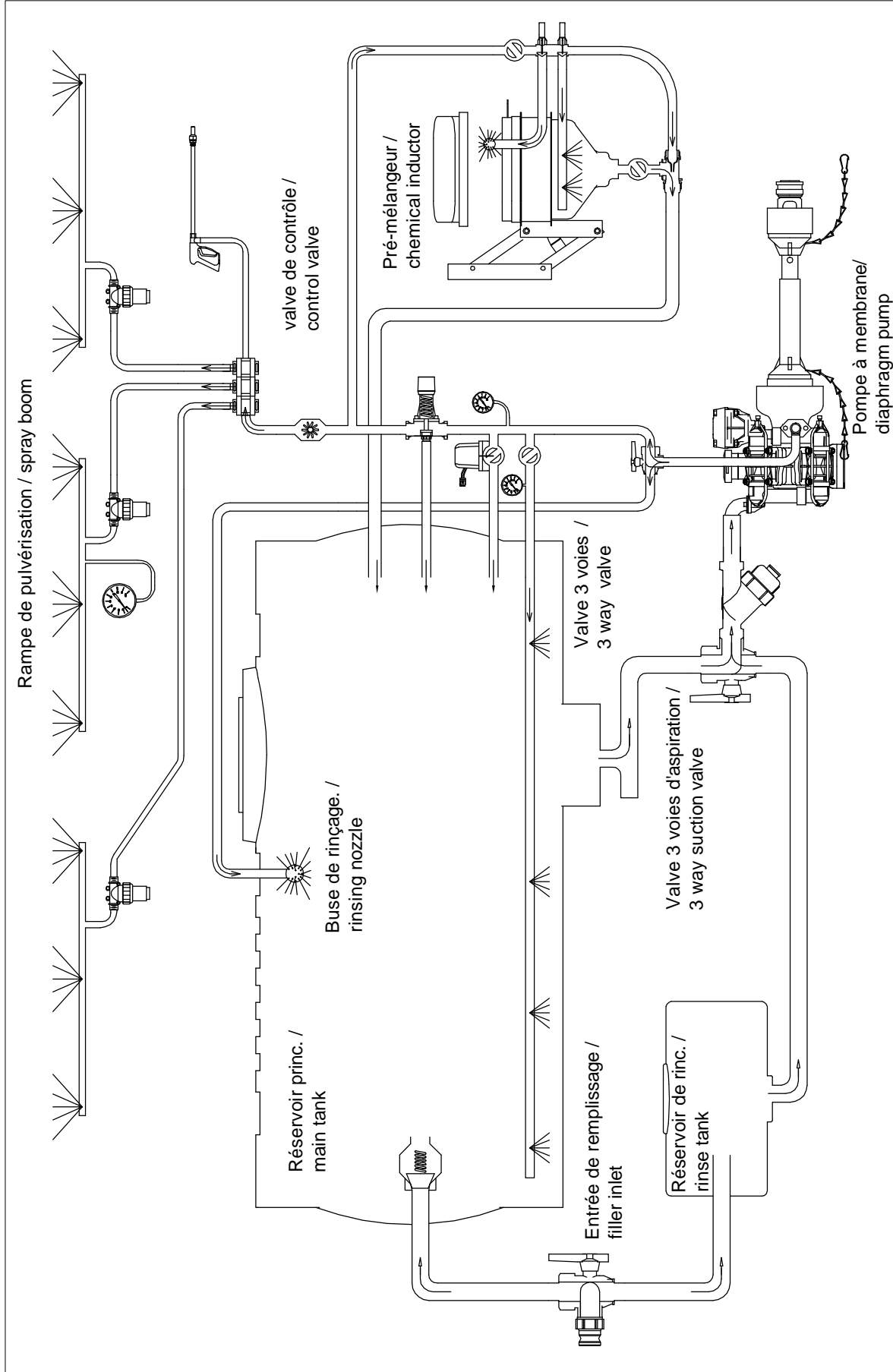
4300 Vachon
Drummondville
Qc, Canada, J2B 6V4

Tel. 819-474-1910
Fax 819-474-5317
info@msgregson.com
www.msgregson.com



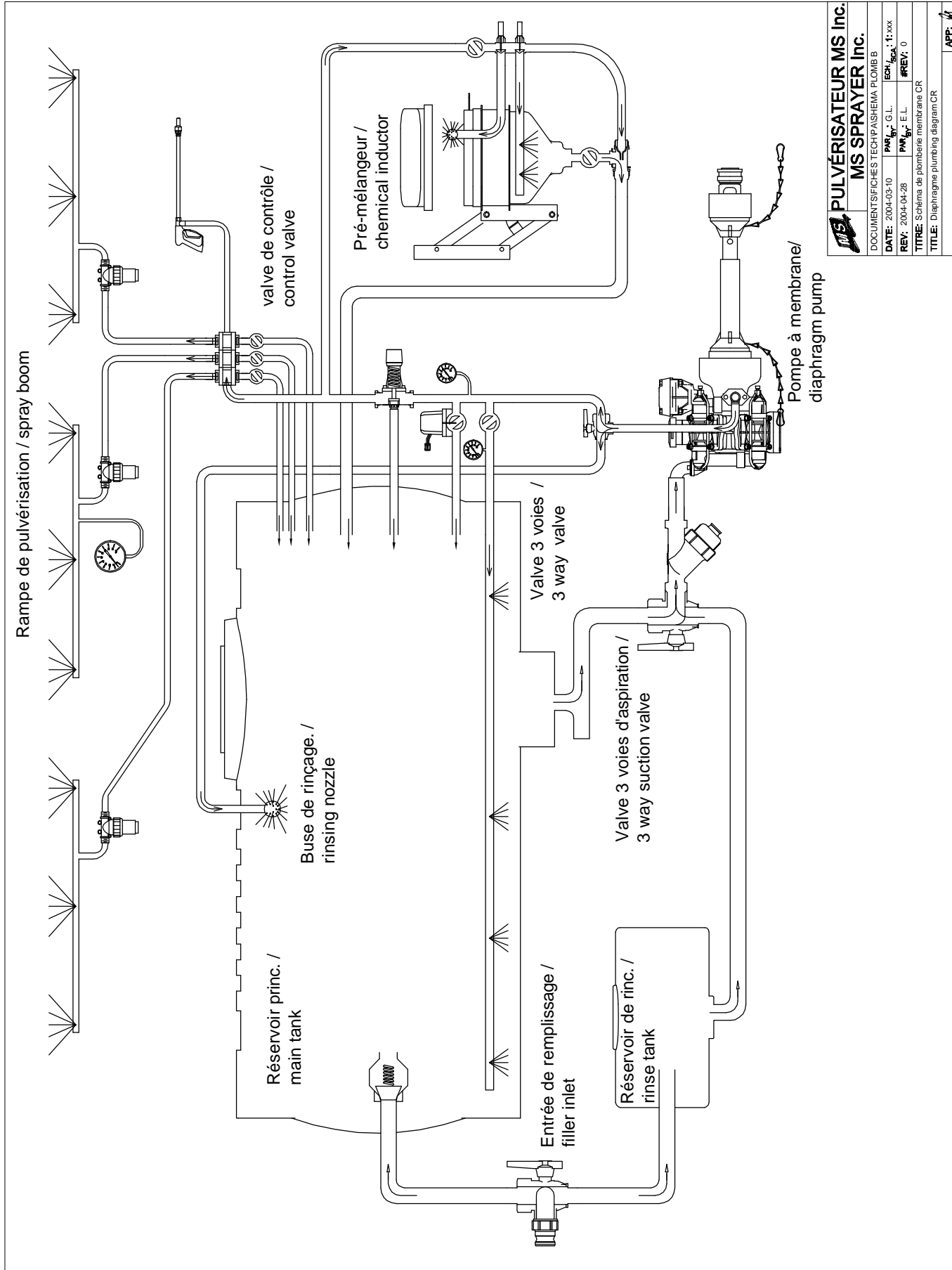
IMPRIME LE: 2004-05-20 15:57 PAR: LANOIEG

| | |
|--|------------|
| MS PULVÉRISATEUR MS Inc. | |
| MS SPRAYER Inc. | |
| DOCUMENTS/FICHES TECH/PASHEMA PLOMB F | |
| DATE: 2004-03-10 | PAR: G.L. |
| REV: 0 | ÉCH: 1:xxx |
| PAR: 0 | REV: 0 |
| TITRE: Schéma de plomberie membrane contrôleur | |
| TITLE: Diaphragm plumbing diagram controller | |
| APP: <i>[Signature]</i> | |



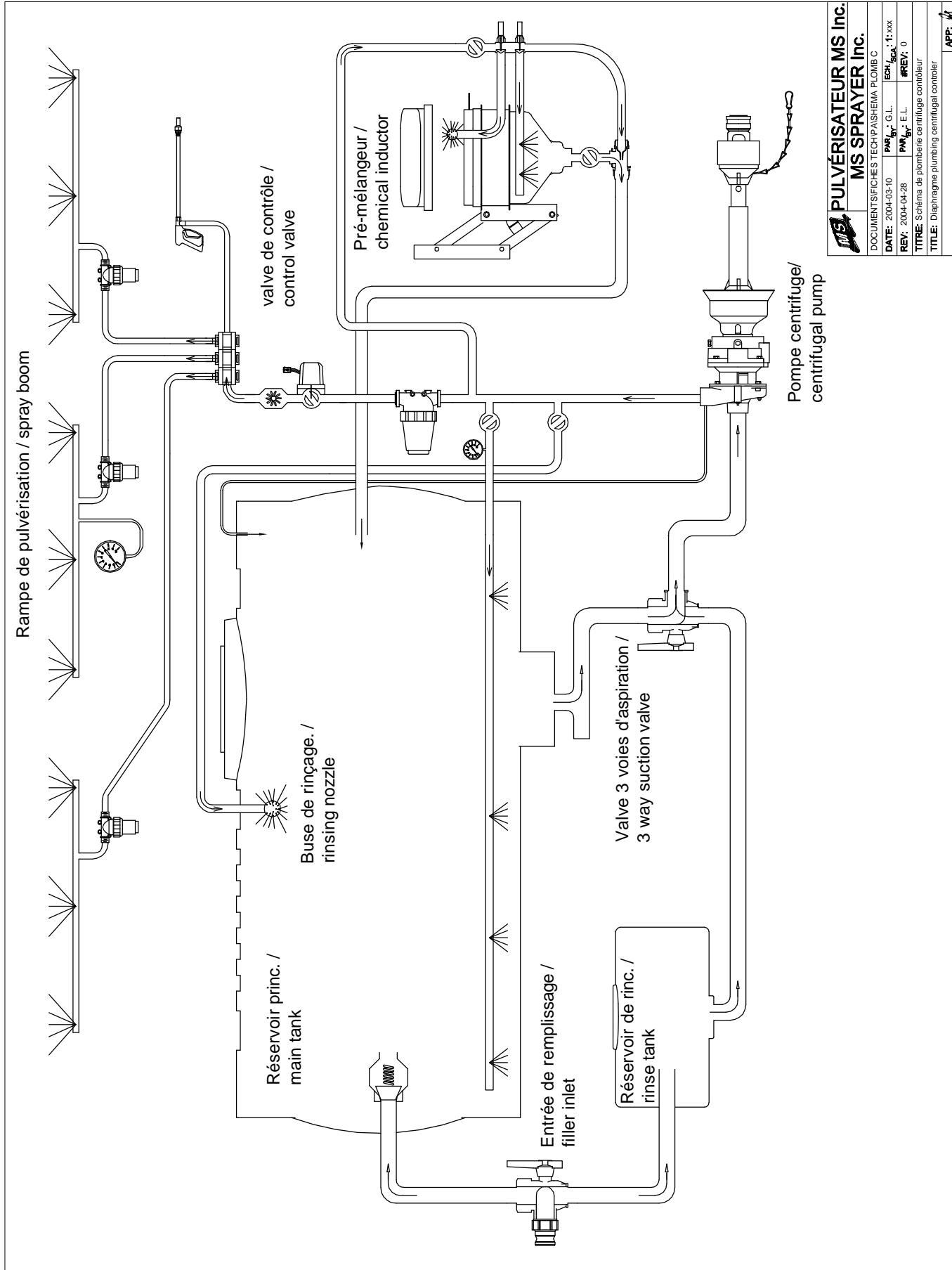
| | |
|--|--------------------|
| PULVÉRISATEUR MS Inc. | |
| MS SPRAYER Inc. | |
| DOCUMENTS/FICHES TECH/PAISHEMA PLOMB A | EXM / Séq. : 1:xxx |
| DATE: 2004-03-10 | PAR / Séq. : G.L. |
| REV: 2004-04-28 | PAR / Séq. : E.L. |
| #REV: 0 | |
| TITRE: Schéma de plomberie membrane contrôleur | |
| TITLE: Diaphragm plumbing diagram controler | |
| APP: <i>[Signature]</i> | |

IMPRIME LE: 2004-05-20 15:59:17 PAR: LANOIEG



IMPRIME LE: 2004-05-20 15:59:02 PAR: LANOIEG

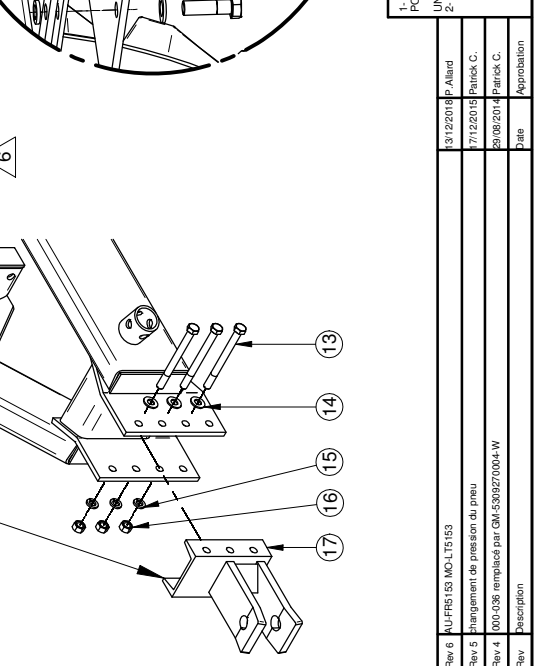
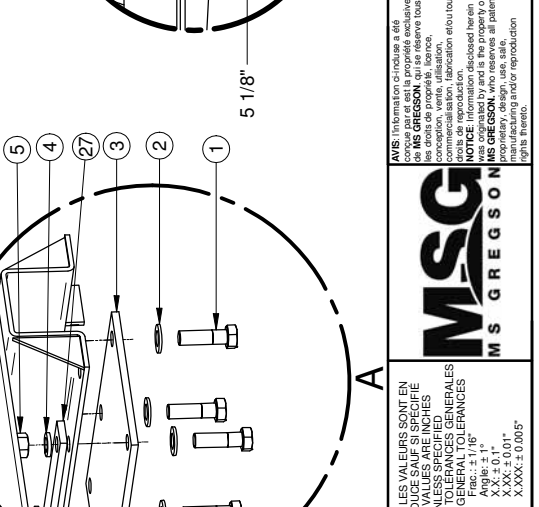
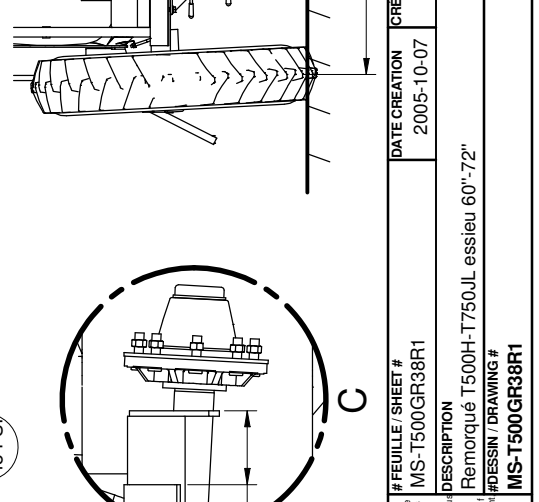
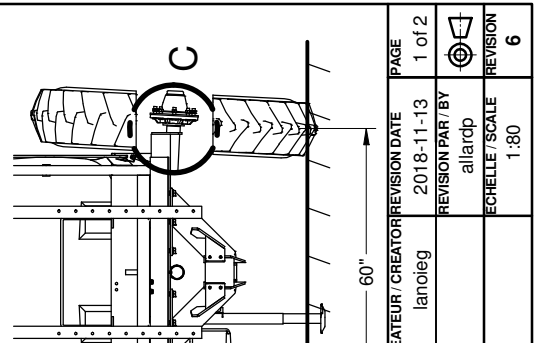
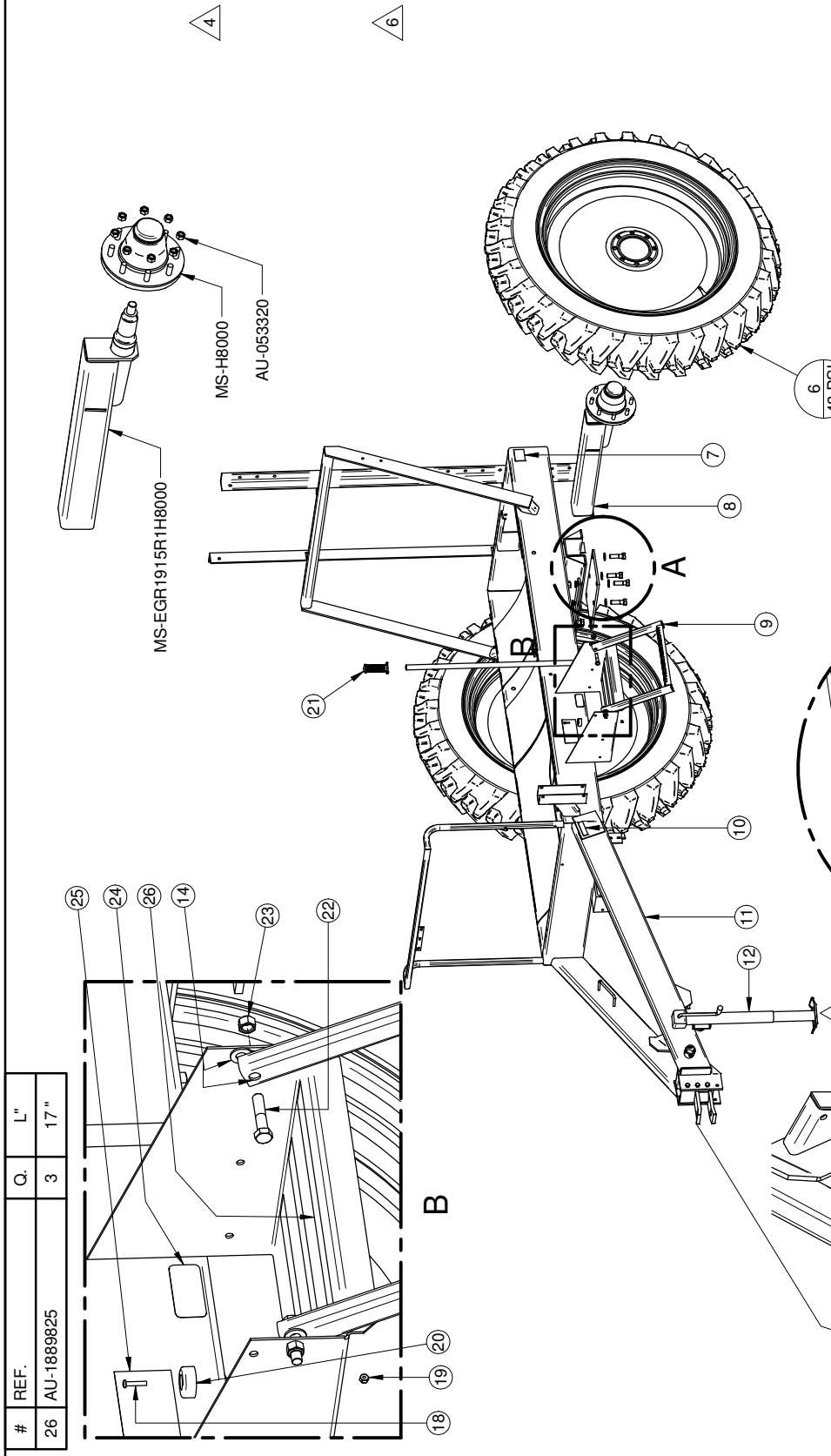
| | | | |
|--|-----------|------------|--|
| PULVÉRISATEUR MS Inc. | | | |
| MS SPRAYER Inc. | | | |
| DOCUMENTS/FICHES TECH/PASHEMA PLOMB B | | | |
| DATE: 2004-03-10 | PAR: G.L. | ÉCH: 1:xxx | |
| REV: 2004-04-28 | PAR: E.L. | REV: 0 | |
| TITRE: Schéma de plomberie membrane CR | | | |
| TITLE: Diaphragm plumbing diagram CR | | | |
| APP: <i>[Signature]</i> | | | |



IMPRIME LE: 2004-05-20 15:58:48 PAR: LANOIEG

| | | | |
|--|-----------|------------|--|
| PULVÉRISATEUR MS Inc. | | | |
| MS SPRAYER Inc. | | | |
| DOCUMENTS/FICHES TECH/PASHEMA PLOMB C | | | |
| DATE: 2004-03-10 | PAR: G.L. | ECH: 1:xxx | |
| REV: 2004-04-28 | PAR: E.L. | REV: 0 | |
| TITRE: Schéma de plomberie centrifuge contrôleur | | | |
| TITLE: Diaphragm plumbing centrifugal controller | | | |
| APP: <i>[Signature]</i> | | | |

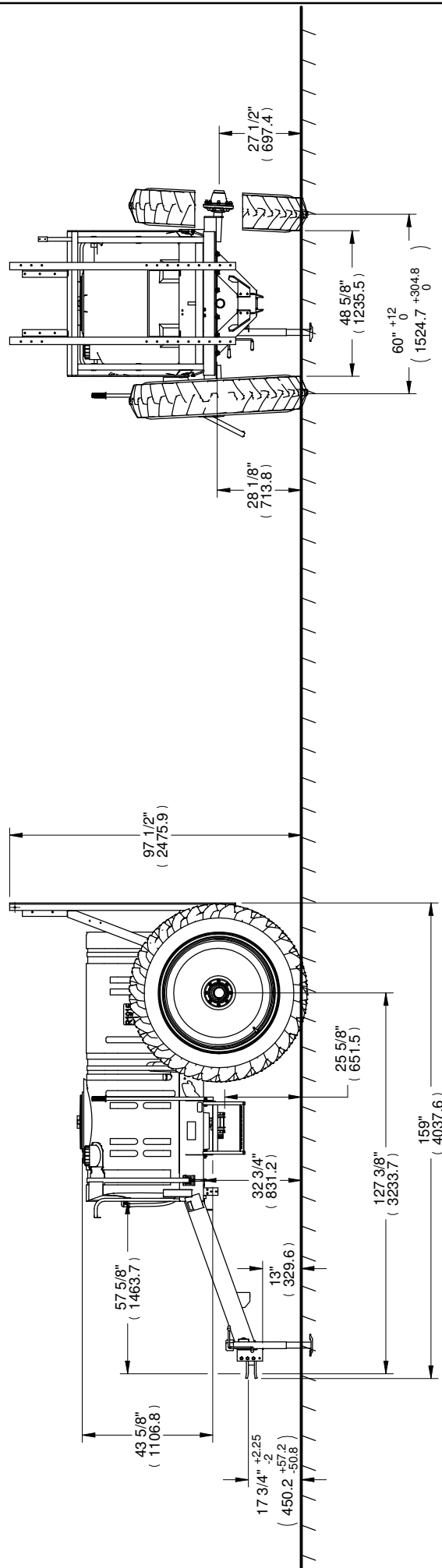
| # | REF. | Q. |
|----|---------------------|----|
| 1 | BT-34212 | 12 |
| 2 | BT-FW34SAE | 12 |
| 3 | A050-0017 | 2 |
| 4 | BT-LW34 | 12 |
| 5 | BT-N34 | 12 |
| 6 | GM-5309270004-W | 2 |
| 7 | MS-AC2X3R | 2 |
| 8 | MS-EGR1915ASS38R1H8 | 2 |
| 9 | MS-ECH1915 | 1 |
| 10 | MS-AC2X3J | 2 |
| 11 | MS-BAV1915M-G | 1 |
| 12 | AU-FR5153 | 1 |
| 13 | BT-12512 | 3 |
| 14 | BT-FW12 | 5 |
| 15 | BT-LW12 | 3 |
| 16 | BT-N12 | 3 |
| 17 | MS-ATT1915 | 1 |
| 18 | BT-10241RS | 1 |
| 19 | BT-LN316SS | 1 |
| 20 | SN-RB115 | 1 |
| 21 | CA-6810B | 1 |
| 22 | BT-12214 | 2 |
| 23 | BT-LN12 | 2 |
| 24 | AU-DECDRAIN | 1 |
| 25 | AU-DECMSLOGOA-G | 2 |
| 27 | A050-0019 | 4 |



| # FEUILLE / SHEET # | CREATEUR / CREATOR | REVISION DATE | PAGE |
|---|--------------------------------|---------------|-------------------|
| MS-T500GR38R1 | latnoleg | 2005-10-07 | 1 of 2 |
| DESCRIPTION | | | REVISION PAR / BY |
| Remorqué T500H-T750JL essieu 60"-72" | | | allardp |
| #DESSIN / DRAWING # | | | ECHELLE / SCALE |
| MS-T500GR38R1 | | | 1:80 |
| AVIS: L'information ci-dessus a été fournie par le fabricant et est le droit de propriété, licence, commercialisation, fabrication et tous droits de reproduction. MS GREGGON, qui réserve all patent rights thereon. | | | REVISION |
| 1-LES VALEURS SONT EN POUCES SAUF SI SPECIFIE | | | 6 |
| 2-TOLERANCES GENERALES | | | |
| Frac.: ± 1/16" | | | |
| X.X: ± 0.01" | | | |
| X.XXX: ± 0.005" | | | |
| 31/22018 | P. Allard | Date | Approbation |
| 31/22015 | Patrick C. | | |
| 20/092014 | Patrick C. | | |
| 000-038 | remplacé par GM-5309270004-W | | |
| Rev 5 | Changement de pression du pneu | | |
| Rev 4 | | | |
| Rev 3 | | | |
| Rev 2 | | | |
| Rev 1 | | | |

T500H - GR38

Unité de mesure: pouce (mm)
 précision: ± 1/8" de pouce (3 mm)
 matière à changement sans préavis
 mesure unit: inches (mm)
 precision: ± 1/8 of an inch (3 mm)
 specification subject to change



| Rev | Description | Date | Approbation |
|-------|--|------------|-------------|
| Rev 6 | AU-FR5153 MOULTI 153 | 19/12/2018 | P. Allard |
| Rev 5 | Changement de pression du pneu | 17/12/2015 | Patrick C. |
| Rev 4 | 000-038 remplacé par 00A-530927/00A-1W | 20/09/2014 | Patrick C. |
| Rev | | | |

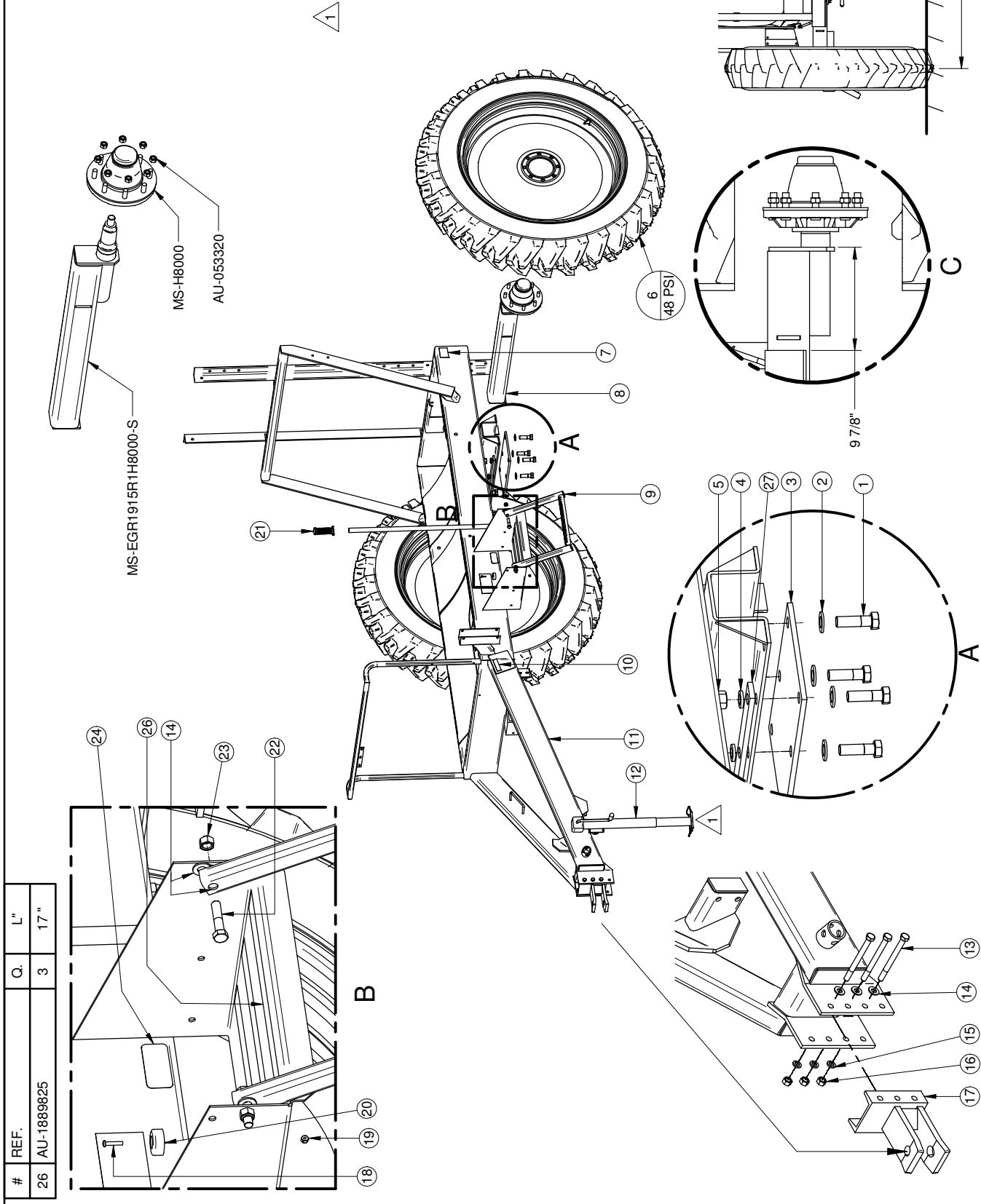
| # FEUILLE / SHEET # | DATE CREATION | CREATEUR / CREATOR | REVISION DATE | PAGE |
|---------------------|---------------|--------------------|---------------|--------|
| DTPA-T500H | 2005-10-07 | lanoieg | 2018-11-13 | 2 of 2 |

| DESCRIPTION | REVISION PAR / BY | ECHELLE / SCALE | REVISION |
|--------------------------------------|-------------------|-----------------|----------|
| Remorqué T500H-T750JL essieu 60"-72" | allardp | | |
| #DESSIN / DRAWING # | | | |
| MS-T500GR38R1 | | | 6 |

| AVIS / Information c-produit a été |
|--|
| MS GREGSON ne prend aucune responsabilité pour les droits de propriété, licence, commercialisation, fabrication et/ou droits de reproduction. MS GREGSON, who reserves all patent rights in the design and manufacturing and/or reproduction rights thereof. |

1- LES VALEURS SONT EN POUCE SAUF SI SPECIFIE
 1- VALUES ARE INCHES UNLESS OTHERWISE SPECIFIED
 2- TOLERANCES GENERALES
 FRA.: ± 1/16"
 X.X: ± 0.1"
 X.XX: ± 0.01"
 X.XXX: ± 0.005"

| # | REF. | Q. |
|-----|-----------------------|----|
| 1 | BT-34212 | 12 |
| 2 | BT-FW34SAE | 12 |
| 3 | A050-0017 | 2 |
| 4 | BT-LW34 | 12 |
| 5 | BT-N34 | 12 |
| 6 | GM-5309270004-W | 2 |
| 7 | MS-AC2X3R | 2 |
| 8 | MS-EGR1915ASS38R1H8-S | 2 |
| 9 | MS-ECH1915 | 1 |
| 10 | MS-AC2X3J | 2 |
| 11 | MS-BAV1915M-G | 1 |
| 12 | AU-FR5153 | 1 |
| 13 | BT-12512 | 3 |
| 14 | BT-FW12 | 5 |
| 15 | BT-LW12 | 3 |
| 16 | BT-N12 | 3 |
| 17 | MS-ATT1915 | 1 |
| 18 | BT-10241RS | 1 |
| 19 | BT-LN316SS | 1 |
| 20 | SN-RB115 | 1 |
| 21 | CA-6810B | 1 |
| 22 | BT-12214 | 2 |
| 23 | BT-LN12 | 2 |
| 24 | AU-DECDRAIN | 1 |
| 25* | AU-DECMSLOGO-G | 2 |
| 27 | A050-0019 | 4 |



| # | REF. | Q. | L" |
|----|------------|----|-----|
| 26 | AU-1889825 | 3 | 17" |

| # FEUILLE / SHEET # | DATE CREATION | CREATEUR / CREATOR | REVISION DATE | PAGE |
|---------------------|---------------|--------------------|---------------|--------|
| MS-T500GR38R1-S | 2005-10-07 | cyrennep | 2018-11-13 | 1 of 2 |

| REVISION | REVISION PAR / BY | REVISION |
|----------|-------------------|----------|
| 1 | allardp | 1 |

| DESCRIPTION | REVISION |
|--------------------------------------|----------|
| Remorqué T500H-T750JL essieu 72"-90" | 1 |
| #DESSIN / DRAWING # | 1 |
| MS-T500GR38R1-S | 1 |

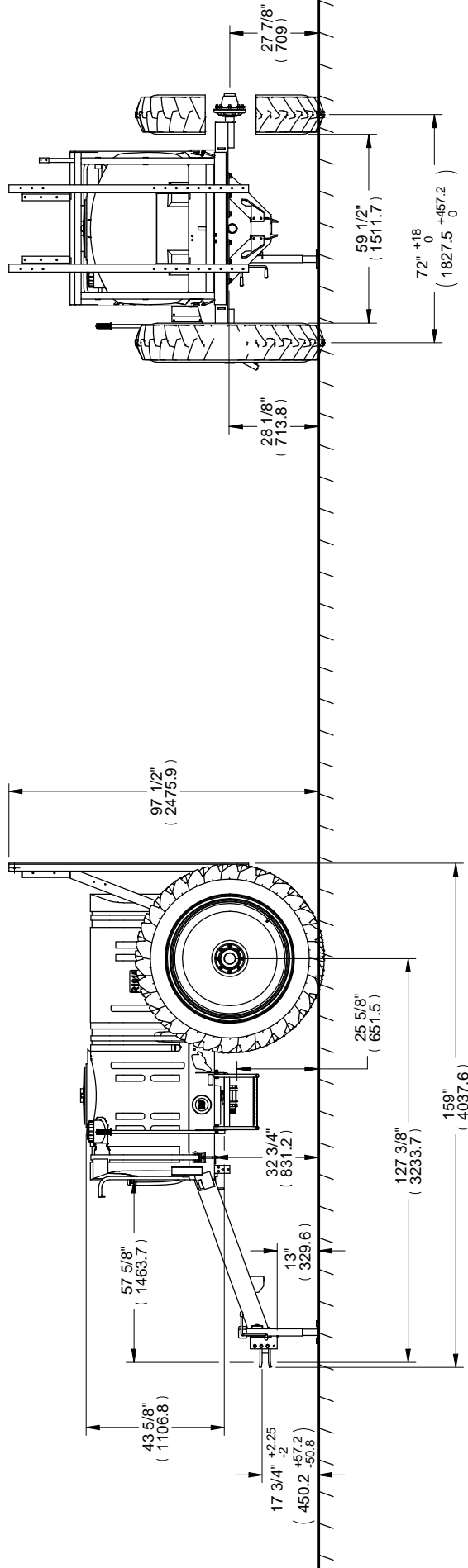
| Rev | Description | Date | Approbation |
|------|------------------------------|------------|-------------|
| rev1 | AU-FR5153 (dilat. MO-L15153) | 03/11/2018 | P.Allard |

AVIS: L'information ci-incluse a été fournie par le fabricant et n'est pas une garantie de performance. Les droits de propriété, licence, brevet, droits de reproduction, droits de diffusion, droits de distribution, droits de vente, droits de commercialisation, fabrication et tous autres droits réservés sont réservés à M.S. GREGGON, qui conserve all patent rights thereon.

MS GREGGON

1- LES VALEURS SONT EN POUCES SAUF SI SPECIFIE
 2- TOLERANCES GENERALES
 Fra.: ± 1/16"
 X.X: ± 0.01"
 X.XX: ± 0.005"

T500H - GR38



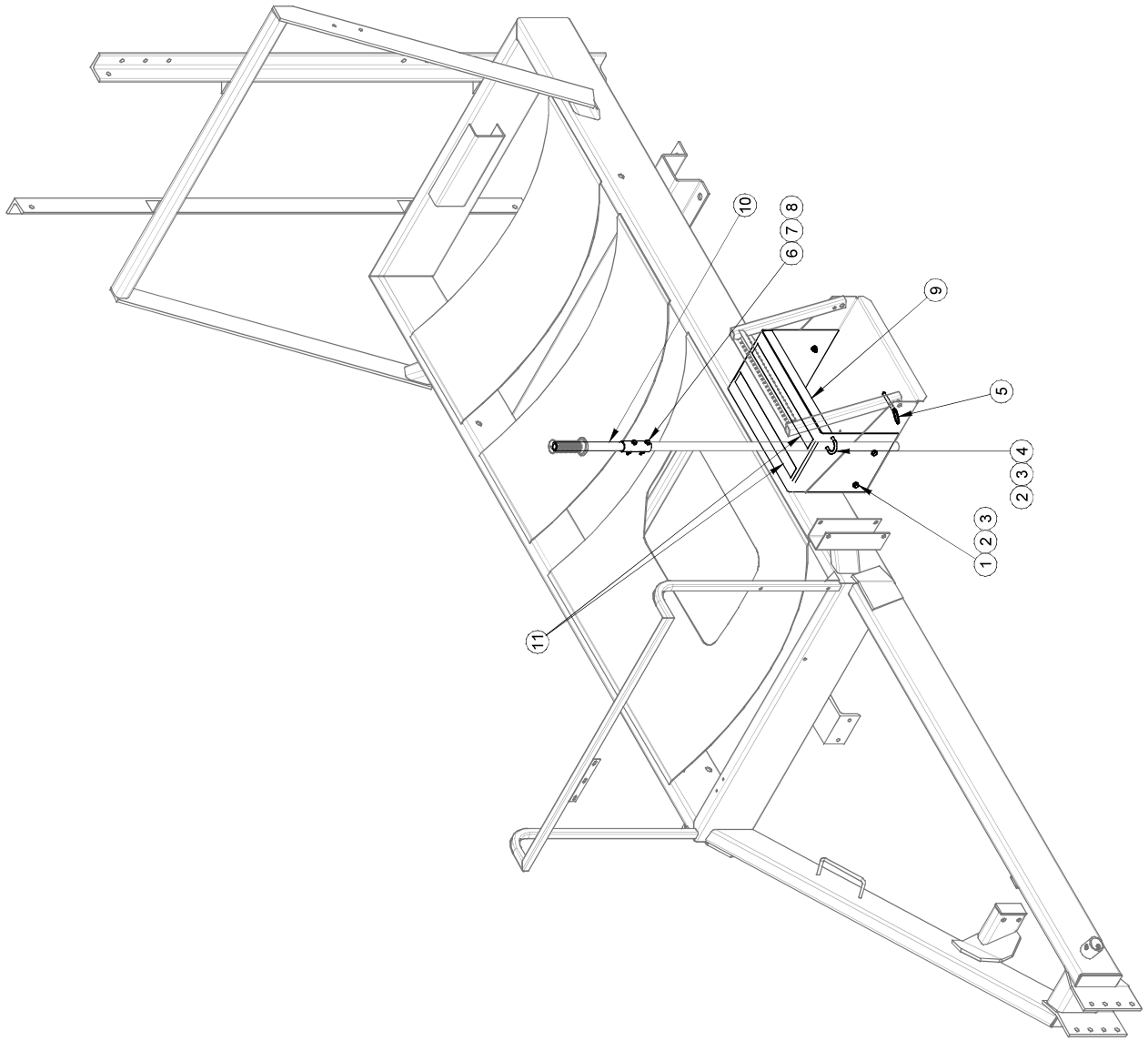
Unité de mesure: pouce (mm)
 précision: ± 1/8" de pouce (3 mm)
 matière à changement sans préavis
 me sure unit: inches (mm)
 précision: ± 1/8" of an inch (3 mm)
 specification subject to change

1- LES VALEURS SONT EN
 POUCES SAUF SI SPECIFIÉ
 UNITS ARE IN INCHES
 UNLESS OTHERWISE SPECIFIED
 2- TOLERANCES GENERALES
 GENERAL TOLERANCES
 FRA.: ± 1/16"
 X: ± 0.01"
 X.X: ± 0.01"
 X.XXX: ± 0.005"

| | | | | | | | | | | | |
|-----|-------------|------|-------------|--------------------------|---|----------------------------------|---|---------------|--------------------|---------------|-----------------|
| Rev | Description | Date | Approbation | MSG M S G R E G S O N | 1- LES VALEURS SONT EN POUCES SAUF SI SPECIFIÉ UNITS ARE IN INCHES UNLESS OTHERWISE SPECIFIED 2- TOLERANCES GENERALES GENERAL TOLERANCES FRA.: ± 1/16" X: ± 0.01" X.X: ± 0.01" X.XXX: ± 0.005" | #FEUILLE / SHEET # DTPA-T500H | #DESSIN / DRAWING # Remorqué T500H-T750JL essieu 72"-90" | DATE CREATION | CREATEUR / CREATOR | REVISION DATE | PAGE |
| | | | | | | | | 2005/10/07 | cyrennep | 2015/12/17 | 2 of 2 |
| | | | | | | | | | | cyrennep | REVISION |
| | | | | | | | | | | | ECHELLE / SCALE |
| | | | | | | | | | | | REVISION |
| | | | | | | | | | | | 0 |

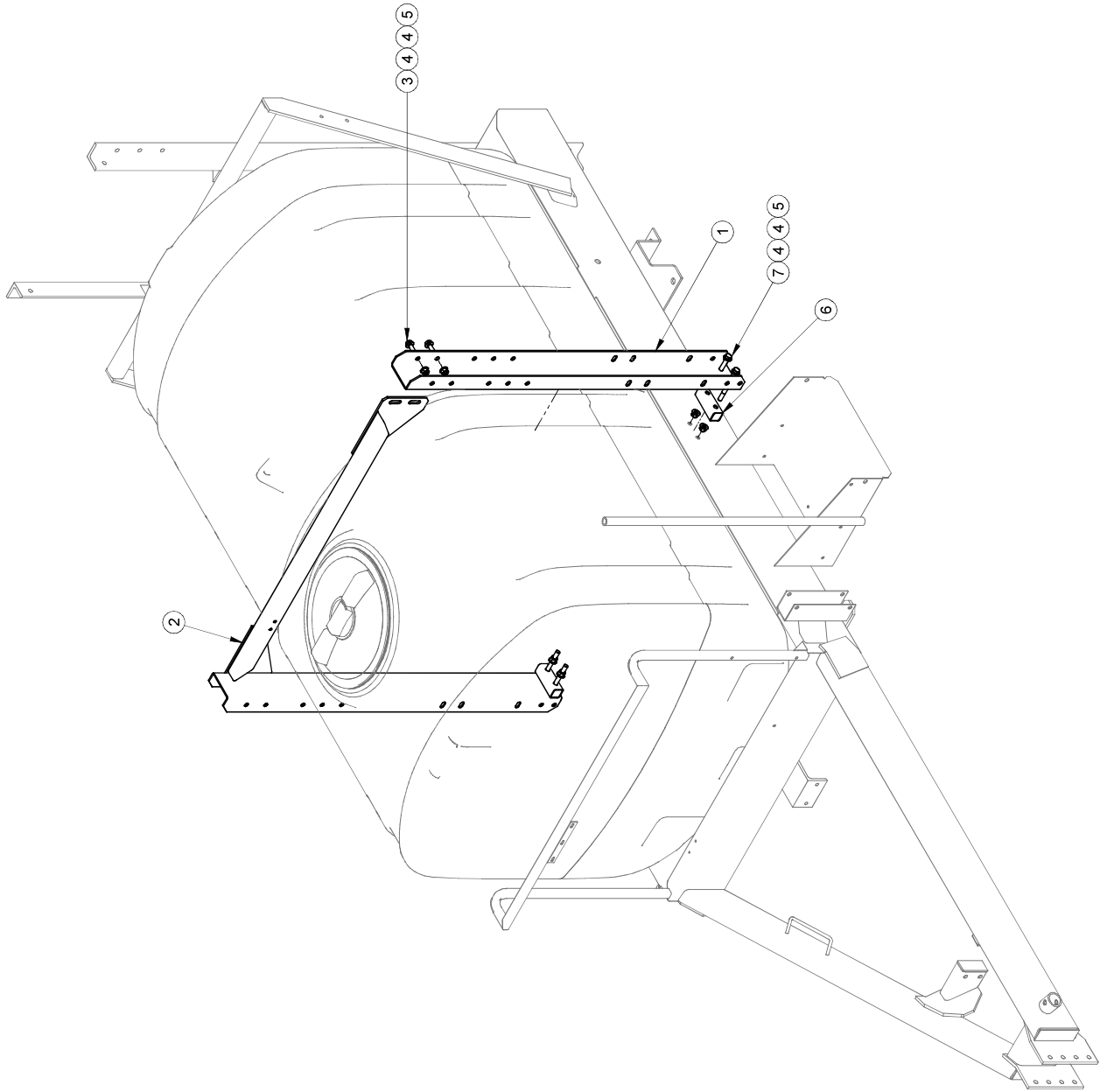
| # | REF. | Q. | L" |
|----|------------|----|-----------|
| 11 | AU-1889825 | 2 | 16.5000 " |

| # | REF. | Q. |
|----|-----------------|----|
| 1 | BT-5161 | 4 |
| 2 | BT-FW516 | 10 |
| 3 | BT-LN516 | 6 |
| 4 | AU-UBR516138214 | 1 |
| 5 | SN-233-289 | 1 |
| 6 | BT-142 | 2 |
| 7 | BT-FW14 | 4 |
| 8 | BT-LN14 | 2 |
| 9 | A070-0002 | 1 |
| 10 | A070-0003 | 1 |



| | |
|------------|--------|
| 2010/04/20 | Pg:1-1 |
| AR070-0001 | Rev: 0 |

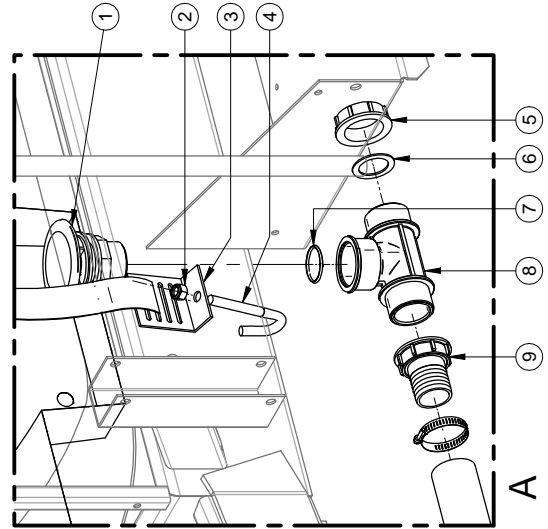
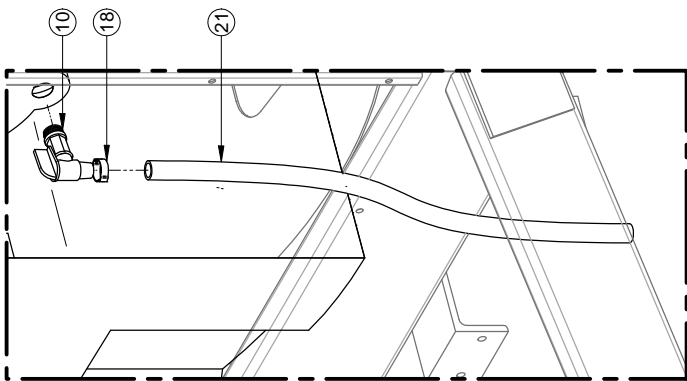
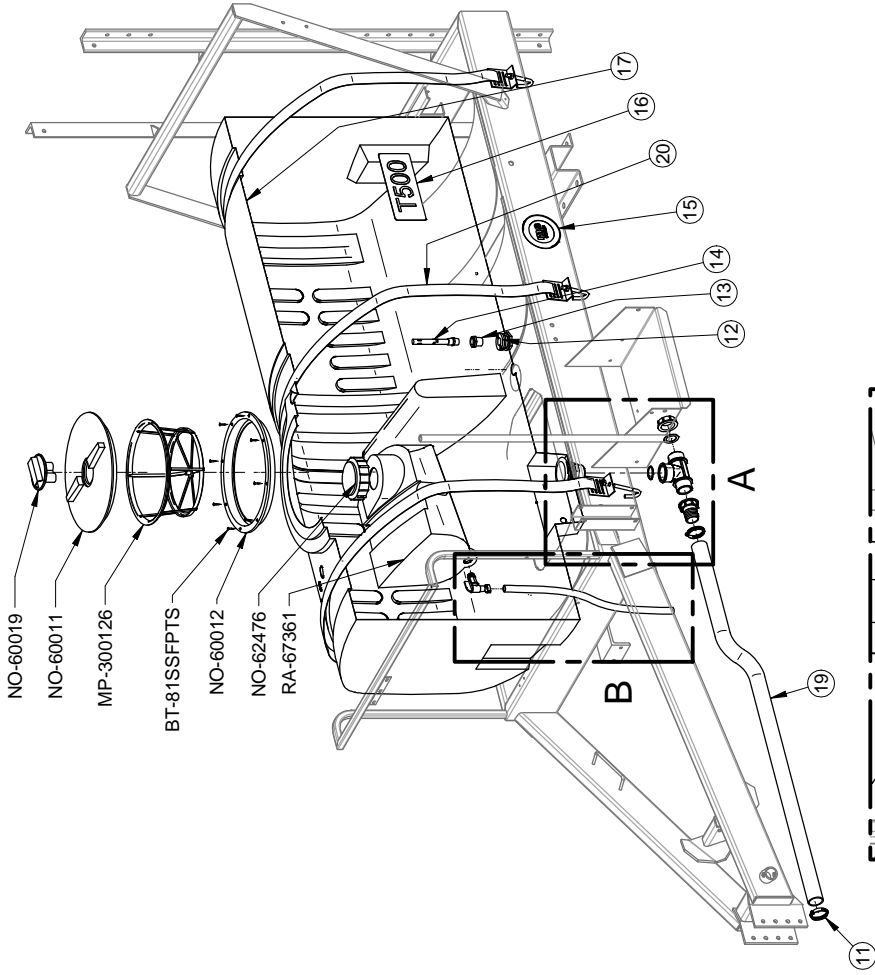
| # | REF. | Q. |
|---|-----------|----|
| 1 | A080-0015 | 2 |
| 2 | A080-0012 | 1 |
| 3 | BT-12112 | 4 |
| 4 | BT-FW12 | 16 |
| 5 | BT-LN12 | 8 |
| 6 | A080-0025 | 2 |
| 7 | BT-125 | 4 |



| | |
|---------------|--------|
| 2011/03/09 | Pg:1-1 |
| AR080-0014-JL | Rev: 0 |

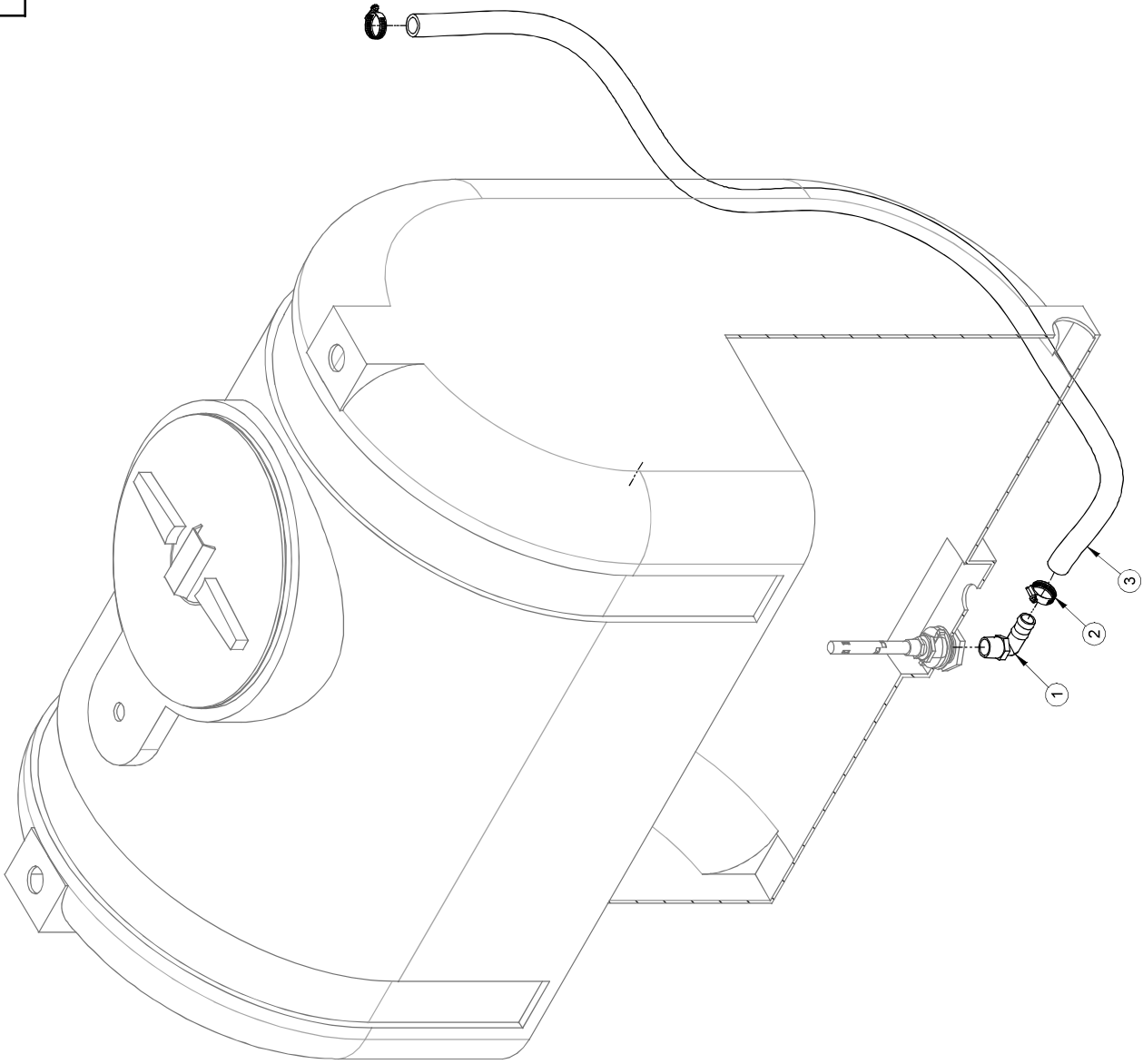
| # | Ref. | Q. | " |
|----|----------|----|--------|
| 19 | LV-2PVC | 1 | (65") |
| 20 | SN-TS198 | 3 | (101") |
| 21 | AS-CV34 | 1 | (27") |

| # | Ref. | Q. |
|----|-----------------|----|
| 1 | MP-5041071 | 1 |
| 2 | BT-LN12 | 6 |
| 3 | MS-AC01 | 6 |
| 4 | MS-PA0035 | 6 |
| 5 | MP-210070 | 1 |
| 6 | MP-G40005 | 1 |
| 7 | MP-G10062 | 1 |
| 8 | MP-132070 | 1 |
| 9 | MP-1067501 | 1 |
| 10 | RA-5444R | 1 |
| 11 | DA-HS32 | 2 |
| 12 | RA-5034P | 1 |
| 13 | JB-RB10034NY | 1 |
| 14 | JB-33710019 | 1 |
| 15 | AU-DECMSLOGOA-G | 2 |
| 16 | AU-DECT500 | 2 |
| 17 | RA-10979 | 1 |
| 18 | LV-2327 | 1 |



| # | Ref. | Q. | " |
|---|--------|----|-------|
| 3 | LV-12N | 1 | (78") |

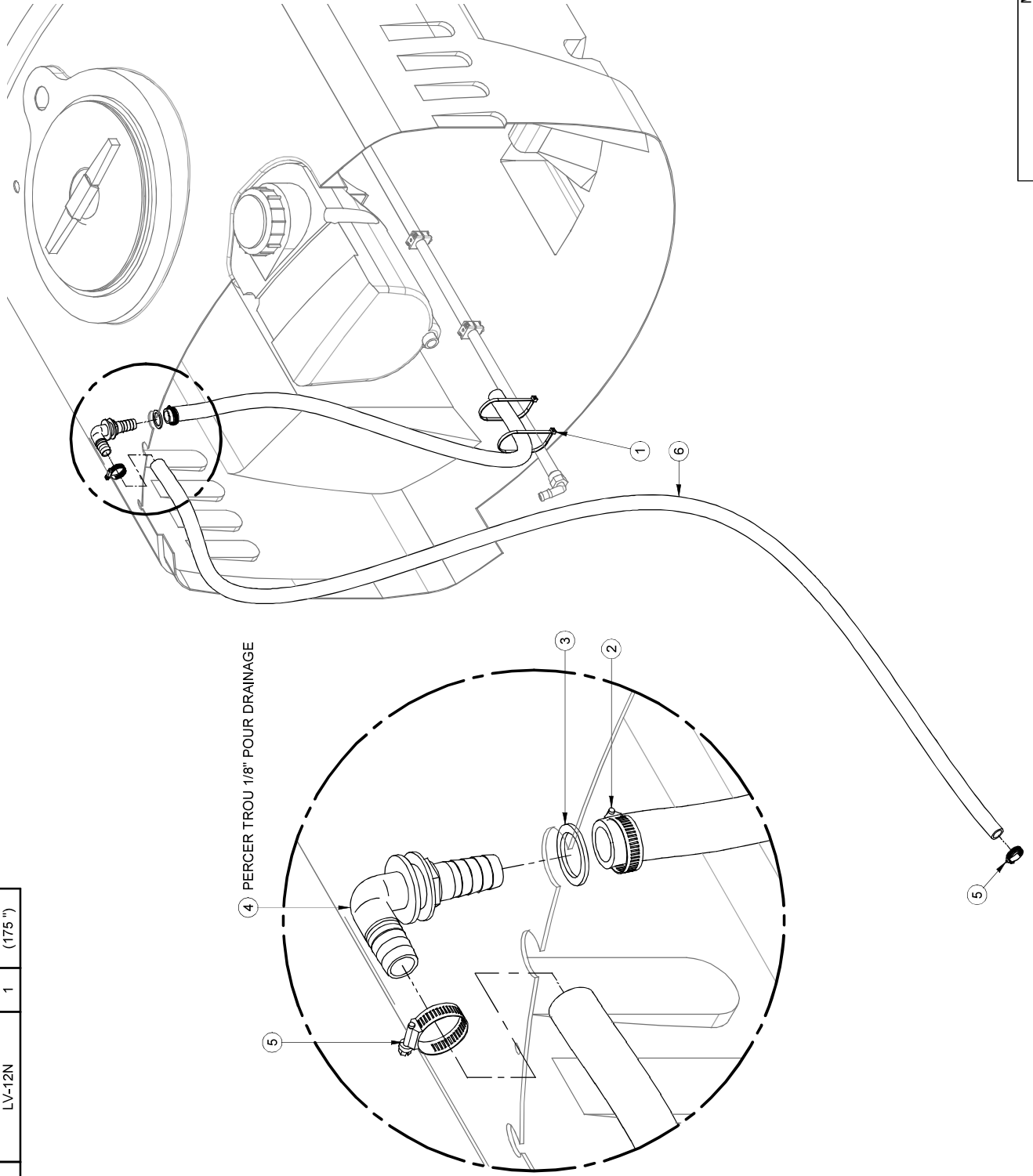
| # | Ref. | Q. |
|---|-------------|----|
| 1 | JB-EL1010NY | 1 |
| 2 | DA-HS16 | 2 |



| | | | |
|------------|----------------|--------|-----------|
| 2007/11/01 | MS-AGIT100.asm | Rev. 0 | Pg:1-1 |
| | MS-AGIT100.dft | | Explose 1 |

| # | Ref. | Q. | " |
|---|--------|----|--------|
| 6 | LV-12N | 1 | (175") |

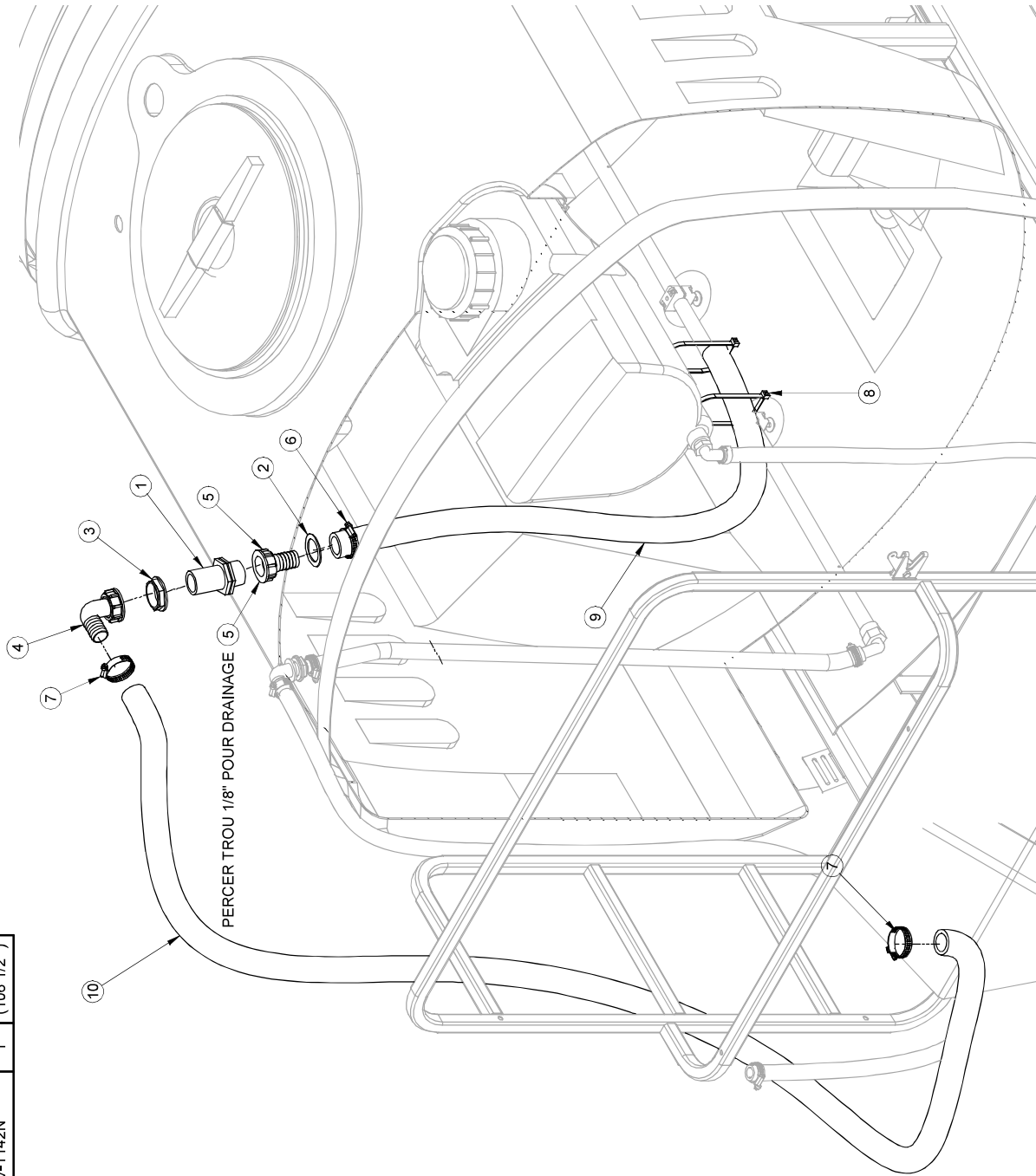
| # | Ref. | Q. |
|---|-------------|----|
| 1 | AU-L141200M | 2 |
| 2 | DA-SHAS16 | 1 |
| 3 | MP-G40004 | 1 |
| 4 | MP-118426 | 1 |
| 5 | DA-HS16 | 2 |



| | | |
|-------------|-------------|---------|
| 2007/10/30 | MS-RET1.asm | Pg:1-1 |
| MS-RET1.dft | Rev: 0 | Sheet 1 |

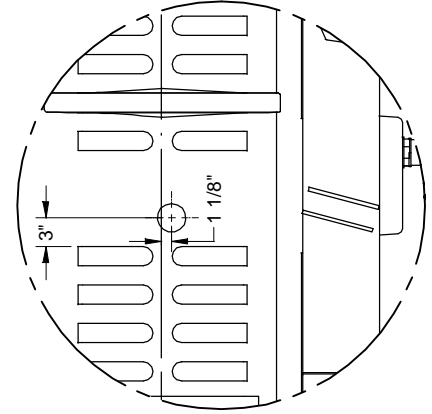
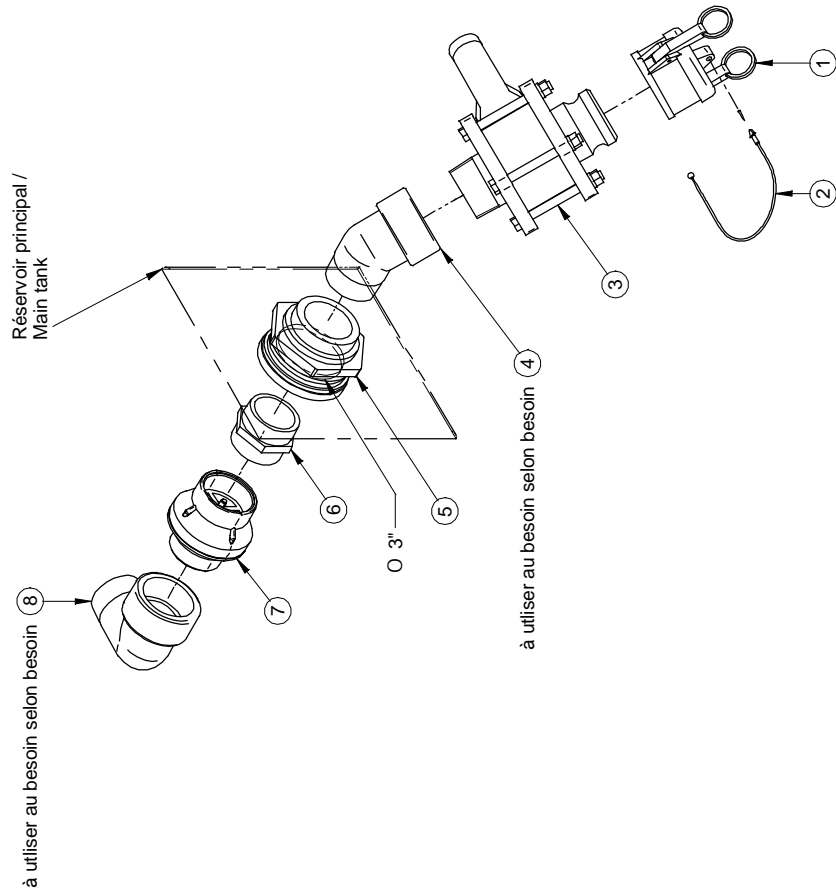
| # | Ref. | Q. | " |
|----|----------|----|------------|
| 9 | LV-1142N | 1 | (57") |
| 10 | LV-1142N | 1 | (106-1/2") |

| # | Ref. | Q. |
|---|-------------|----|
| 1 | MP-250051 | 1 |
| 2 | MP-G40005 | 1 |
| 3 | MP-205050 | 1 |
| 4 | MP-1165331 | 1 |
| 5 | MP-1065301 | 1 |
| 6 | DA-SHAS24 | 1 |
| 7 | DA-HS24 | 2 |
| 8 | AU-L141200M | 2 |

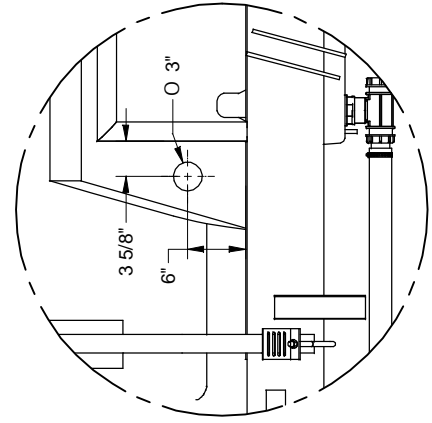


| | | | |
|------------|-----------------|--------|---------|
| 2008/03/25 | MS-RET114R1.asm | Rev. 0 | Pg:1-1 |
| | MS-RET114R1.dft | | Sheet 1 |

| # | Ref. | Q. |
|---|------------|----|
| 1 | JB-DC2PG40 | 1 |
| 2 | BJ-V20207 | 1 |
| 3 | NO-62288 | 1 |
| 4 | BJ-SL20045 | 1 |
| 5 | RA-5042P | 1 |
| 6 | JB-M2000NY | 1 |
| 7 | MP-504019 | 1 |
| 8 | JB-SE200NY | 1 |



DETAIL T750

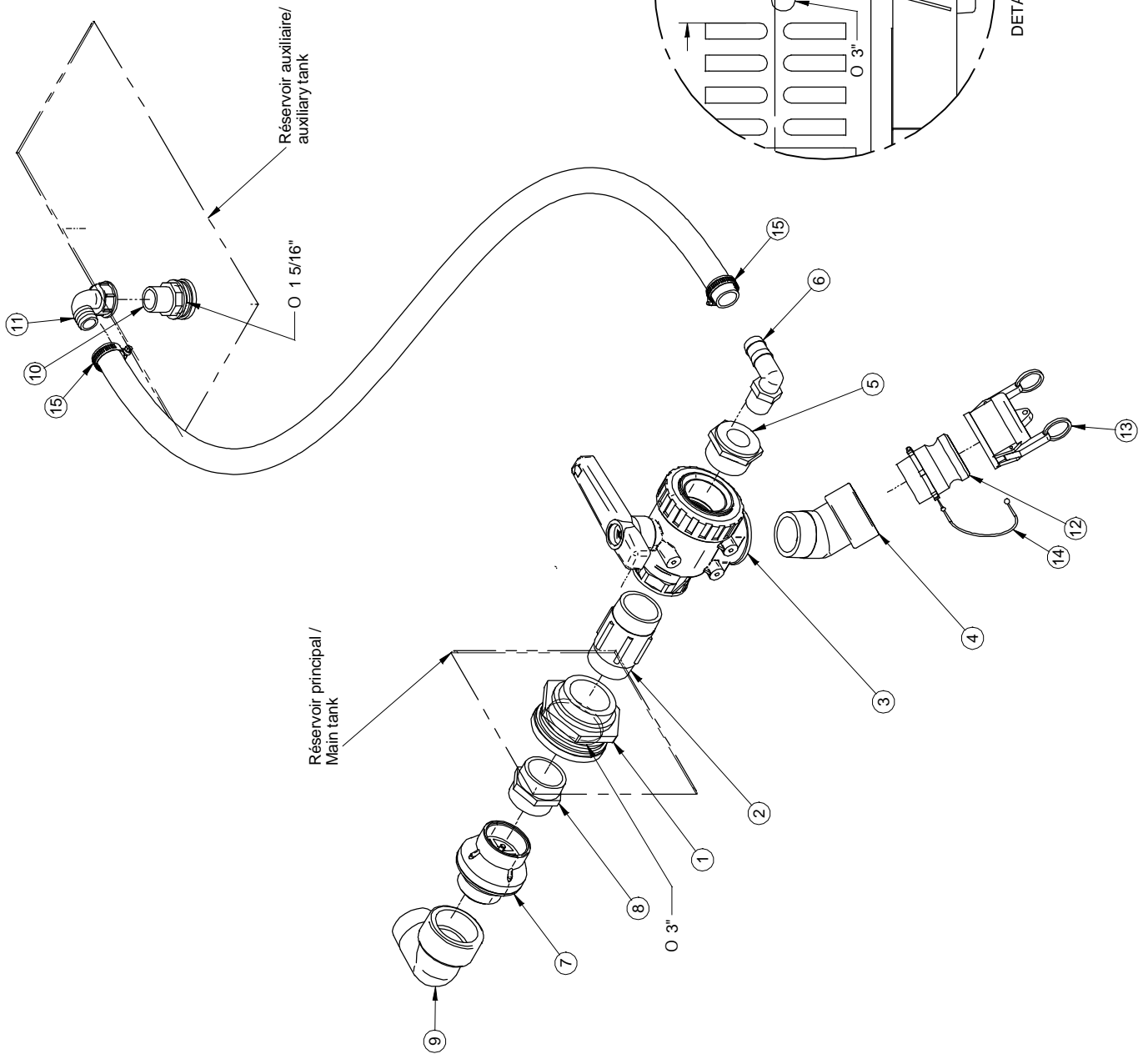


DETAIL T1000 / T1300

| | | |
|------------|--------------|----------|
| 2009/03/20 | RE-REMP2.asm | Pg:1-1 |
| | Rev: 0 | RE-REMP2 |
| | RE-REMP2.dft | |

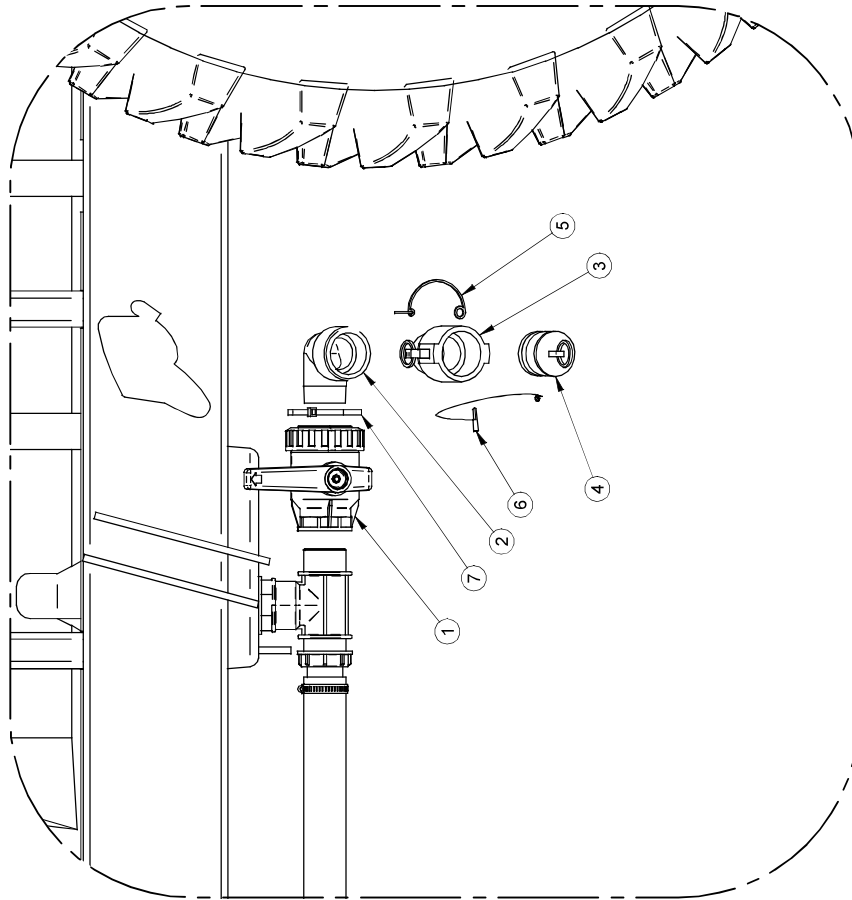
| | | | |
|----|---------|----|------|
| # | Ref. | Q. | " |
| 16 | LV-1PVC | 1 | 180" |

| # | Ref. | Q. |
|----|----------------|----|
| 1 | RA-5042P | 1 |
| 2 | JB-M2000NYL | 1 |
| 3 | JB-PBVH2002003 | 1 |
| 4 | BJ-SL20045 | 1 |
| 5 | JB-RB200100NY | 1 |
| 6 | JB-EL1010NY | 1 |
| 7 | MP-504019 | 1 |
| 8 | JB-M2000NY | 1 |
| 9 | JB-SE200NY | 1 |
| 10 | MP-2200401 | 1 |
| 11 | MP-1164251 | 1 |
| 12 | JB-F2PG | 1 |
| 13 | JB-DC2PG40 | 1 |
| 14 | BJ-V20207 | 1 |
| 15 | DA-HS16 | 2 |
| 16 | LV-1PVC | 1 |



| | | |
|------------|-----------------|----------|
| 2007/09/24 | RE-REMP2RIN.asm | Pg:1-1 |
| Rev: 0 | RE-REMP2RIN.dft | Feuillet |

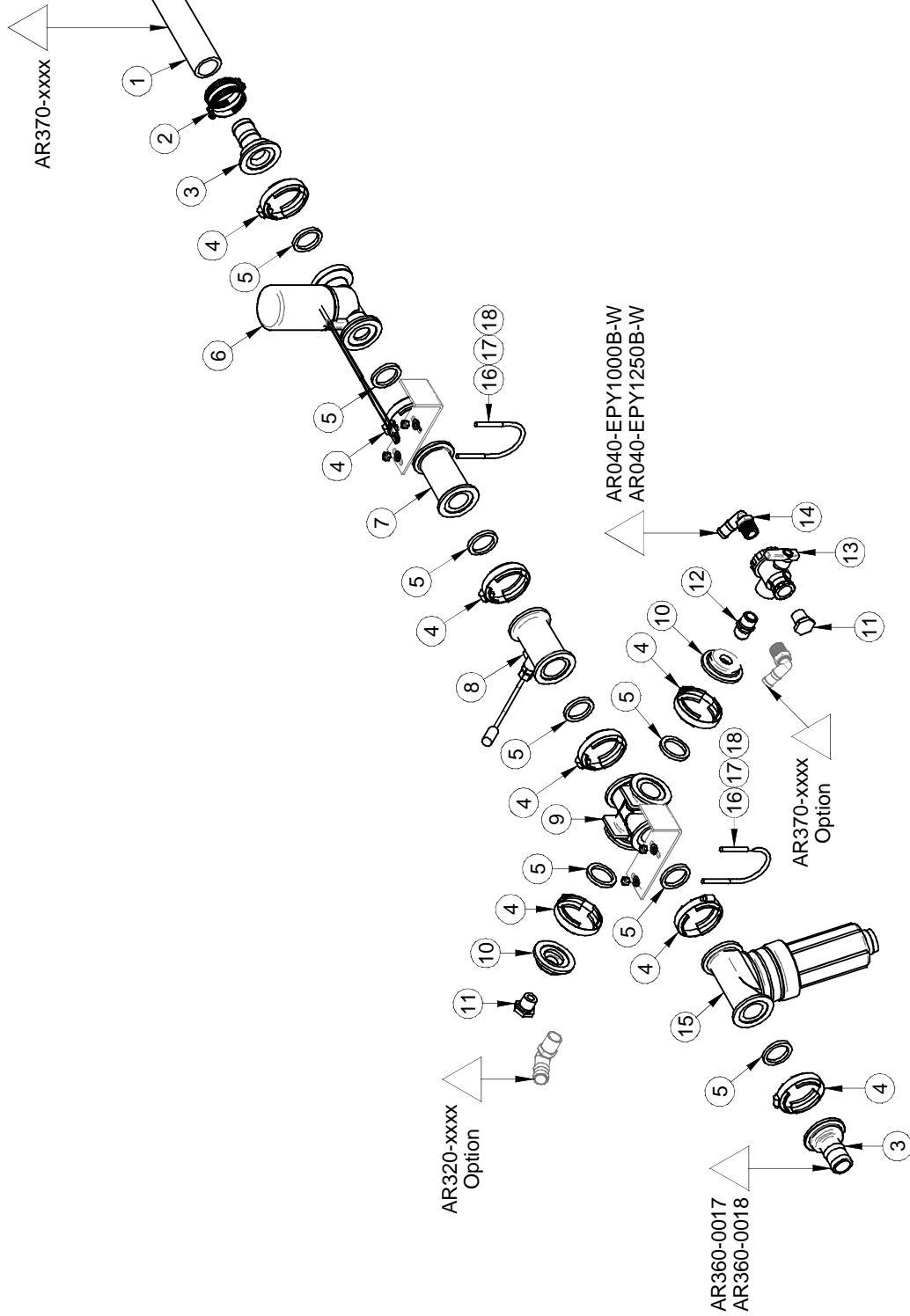
| # | Ref. | Q. |
|---|--------------|----|
| 1 | MP-S301630PP | 1 |
| 2 | JB-SE200NY | 1 |
| 3 | JB-B2PG | 1 |
| 4 | JB-DP2PG40 | 1 |
| 5 | MP-181070 | 1 |
| 6 | RA-5193R | 1 |
| 7 | AU-L141200M | 1 |



| | | | |
|----------------|----------------|--------|--------|
| 2006/11/07 | MS-ENSV2QC.asm | Rev. 0 | Pg:1-1 |
| MS-ENSV2QC.dft | | | Feuil1 |

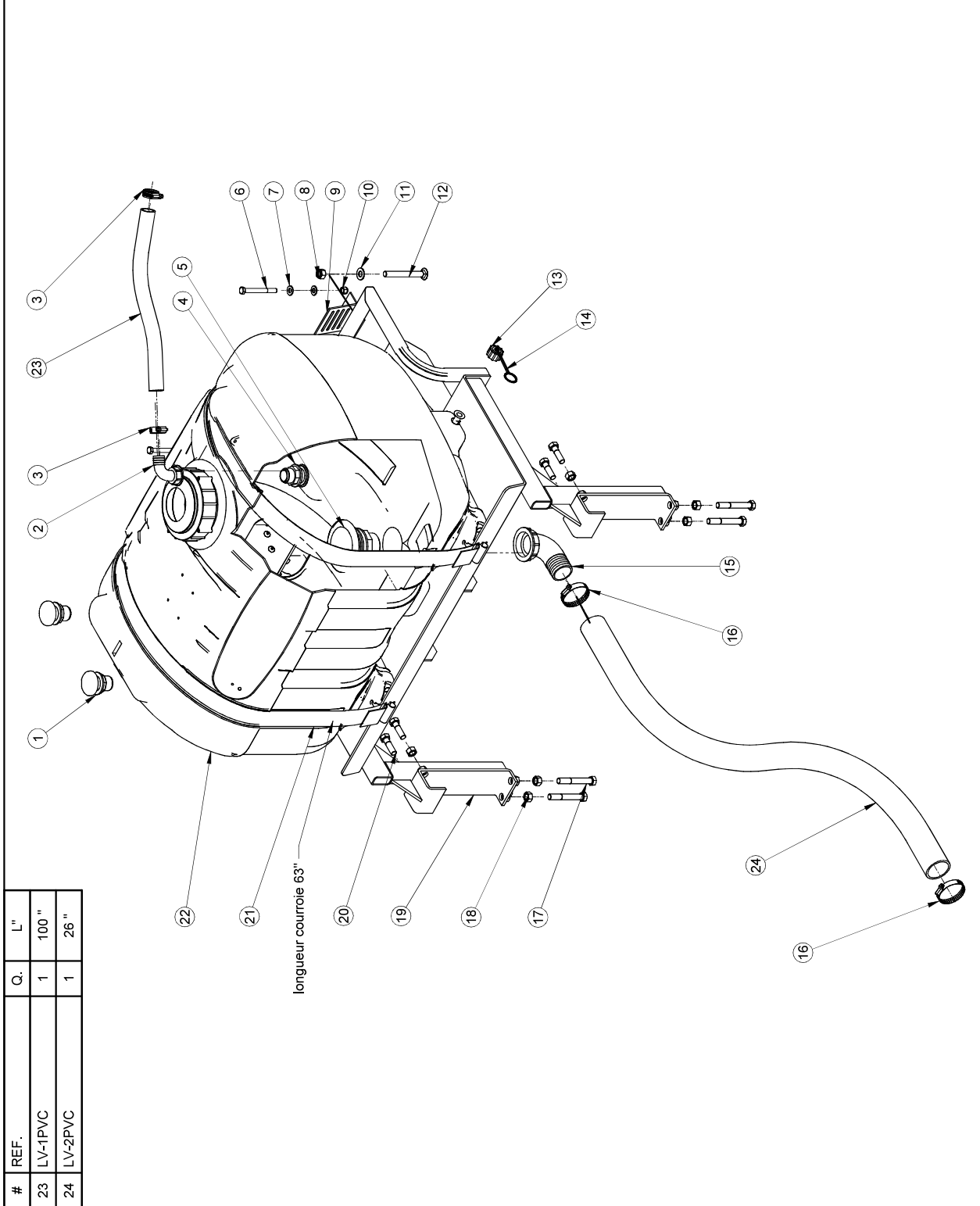
| # | REF. | Q. | L" |
|---|----------|----|------|
| 1 | LV-1122N | 1 | 132" |




| # | REF. | Q. |
|----|-----------------|----|
| 2 | DA-SHAS32 | 2 |
| 3 | BJ-M200150BRB | 2 |
| 4 | BJ-FC200 | 8 |
| 5 | BJ-150G | 8 |
| 6 | RA-0630171894 | 1 |
| 7 | BJ-M200CPG | 1 |
| 8 | RA-0630171793 | 1 |
| 9 | BJ-M200CR | 1 |
| 10 | BJ-M200PLG075 | 2 |
| 11 | JB-VMM0006NY | 2 |
| 12 | JB-M3400NY | 1 |
| 13 | JB-PBVH34343 | 1 |
| 14 | JB-EL3434NY | 1 |
| 15 | BJ-MLST15050 | 1 |
| 16 | AU-UBR516278412 | 2 |
| 17 | BT-FW516 | 4 |
| 18 | BT-LN516 | 4 |



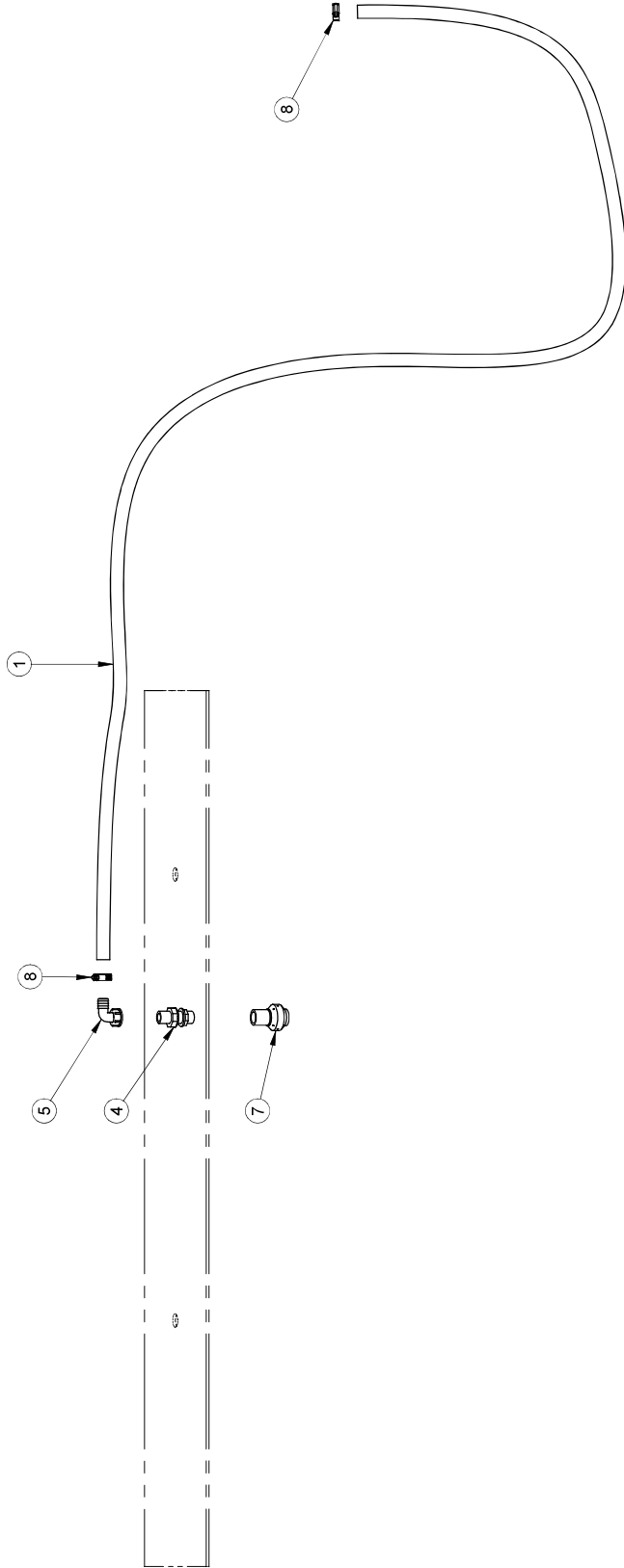
| # | REF. | Q. | L" |
|----|---------|----|------|
| 23 | LV-1PVC | 1 | 100" |
| 24 | LV-2PVC | 1 | 26" |

| # | REF. | Q. |
|----|-----------------------|----|
| 1 | MP-504203 | 2 |
| 2 | MP-1164251 | 1 |
| 3 | DA-SHAS12 | 2 |
| 4 | MP-2200401 | 1 |
| 5 | MP-5041071 | 1 |
| 6 | BT-38312 | 2 |
| 7 | BT-FW38 | 4 |
| 8 | BT-LN12 | 2 |
| 9 | MS-AC01 | 2 |
| 10 | BT-LN38 | 2 |
| 11 | BT-FW12 | 2 |
| 12 | BT-124FL | 2 |
| 13 | AC-19010 | 1 |
| 14 | AC-19009 | 1 |
| 15 | MP-1167521 | 1 |
| 16 | DA-SHAS32 | 2 |
| 17 | BT-12312 | 4 |
| 18 | BT-N12 | 8 |
| 19 | A310-0005 | 1 |
| 20 | BT-12134 | 4 |
| 21 | AR040-EPY0060B-W-A010 | 2 |
| 22 | AC-SB60WPDR | 1 |



| DESCRIPTION DE LA RÉVISION / REVISION DESCRIPTION | # FEUILLE / SHEET # | DATE CREATION | CRÉATEUR / CREATOR | REVISION PAR / BY | REVISION DATE | PAGE |
|--|---------------------|---|--------------------|--|---------------|----------|
| | AR040-EPY0060B-W | 2013-10-15 | satim | allardp | 2013-10-17 | 1 of 1 |
| | DESCRIPTION | | | | | |
| | #DESSIN / DRAWING # | | | | | |
| | AR040-EPY0060B-W | | | | | |
| <p>1- LES VALEURS SONT EN POUCE SAUF S'ILS SONT SPECIFIE EN MILLIMETRES UNLESS SPECIFIED IN MILLIMETERS</p> <p>2- TOLERANCES GENERALES</p> <p>3- TOLERANCES SPECIQUES</p> <p>Angles: ± 1°</p> <p>XX: ± 0.01"</p> <p>XXX: ± 0.01"</p> <p>XXXX: ± 0.005"</p> | | <p>AVIS: Toute information technique relative à ce produit est la propriété exclusive de RAD TECHNOLOGIES INC. qui se réserve tous droits de brevet, de commerce, de fabrication, de vente, d'utilisation, de commercialisation, de fabrication et/ou de distribution.</p> <p>NOTICE: Information disclosed herein is the property of RAD TECHNOLOGIES INC. who reserves all patent, proprietary, design, trademark, copyright, and other intellectual property rights therein.</p> | |  <p>DIVISION OF</p>  | | |
| | | | |  | | REVISION |
| | | | | ECHELLE / SCALE | | 1:1.2.5 |
| | | | | REVISION | | 0 |

| # | Ref. | Q. | " |
|---|------------------|----|------------|
| 1 | AS-341N | 1 | (125 1/2") |
| 4 | MP-2500301 | 1 | |
| 5 | MP-1163201 | 1 | |
| 7 | JB-552703/418POM | 1 | |
| 8 | DA-HS12 | 2 | |





PULVÉRISATEUR MS
Div. de RAD Technologies Inc.
4300 rue Vachon, Drummondville QC J2B 6V4, Canada
Tél.: 819-474-1910 Fax: 819-474-5317 sales@msspray.com

BOM

MS-REAPYR6

REVISION

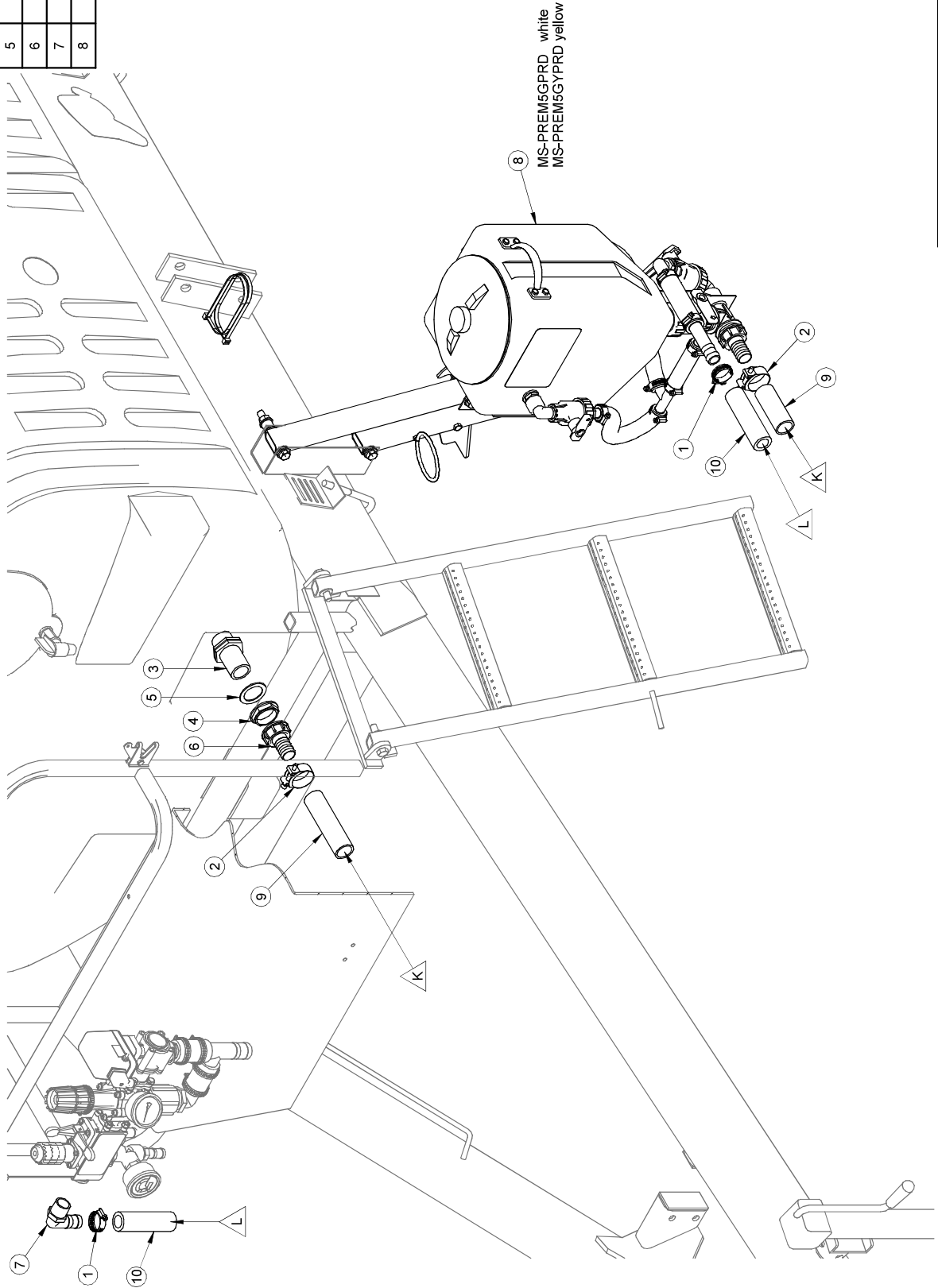
0

Desc. Française **Ensemble de réservoir à eau propre 11 l, 3 gal. pour T500**
English Desc. **11l , 3 gal. clear water tank kit for T500**

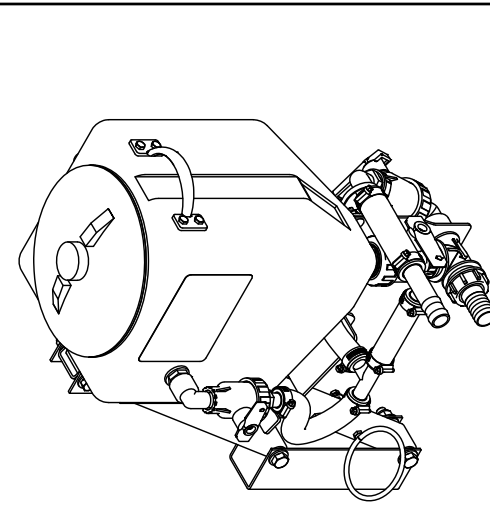
| Réf. | Quantité | Produit | Description française | English Description |
|------|----------|-------------|---|---|
| 35 | 1.00 | MS-SREP4 | Plaque montage reser. eau prop / R1915 | Clean water tank mount. plate / R1915 |
| 36 | 1.00 | AC-SP0003RT | Rés. utilit. 11 l, 3 gal., 7"x14"x12", poly blanc | Utility tank 11 l, 3 gal., 7"x14"x12", White poly |
| 37 | 1.00 | JB-SE34NY | Adapt. coudé 3/4"mnpt x 3/4"fnpt céd.80 ny | Elbow adapt. 3/4"mnpt x 3/4"fnpt ced.80 ny |
| 38 | 1.00 | RA-5444R | Valve 3/4"mnpt rés. eau propre | Valve 3/4"mnpt clean water tank |

| # | Ref. | Q. | " |
|----|-----------|----|-----|
| 9 | LV-114PVC | 1 | 79" |
| 10 | LV-12N300 | 1 | 85" |

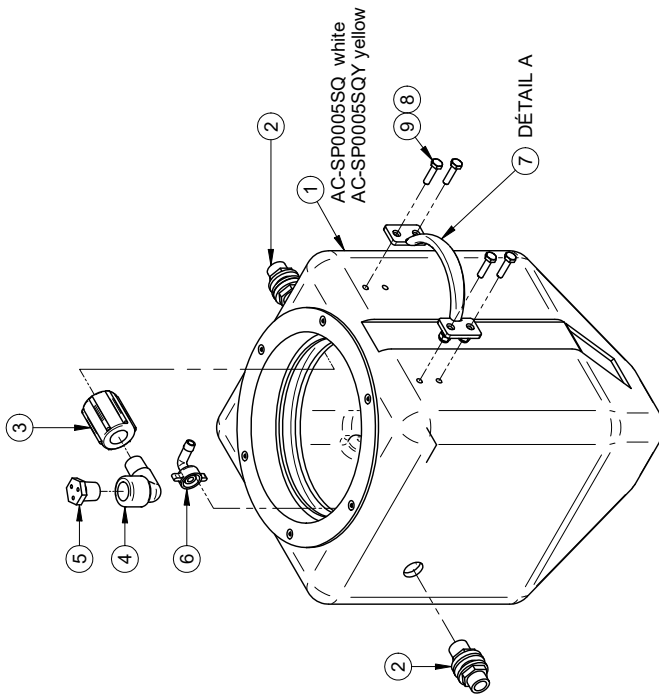
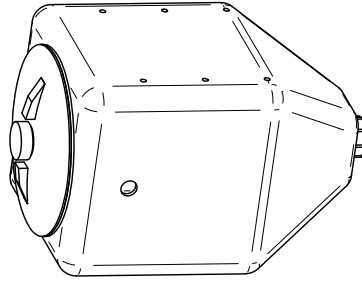
| # | Ref. | Q. |
|---|--------------|----|
| 1 | DA-SHAS16 | 2 |
| 2 | AS-4043 | 2 |
| 3 | MP-250051 | 1 |
| 4 | MP-205050 | 1 |
| 5 | MP-G40005 | 1 |
| 6 | MP-1065301 | 1 |
| 7 | JB-EL1010NY | 1 |
| 8 | MS-PREM5GPRD | 1 |



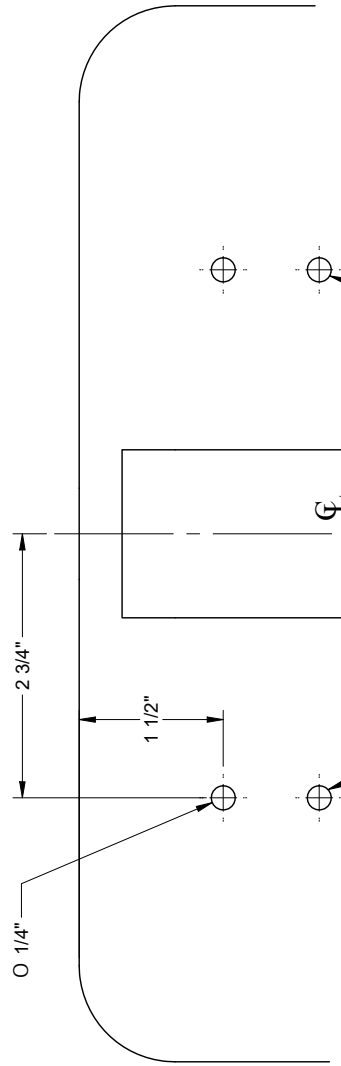
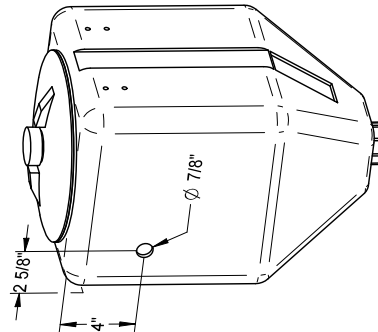
| # | Ref. | Q. |
|---|---------------|----|
| 1 | AC-SP0005SQ | 1 |
| 2 | MP-2500Z11 | 2 |
| 3 | JB-FC1200NY40 | 1 |
| 4 | JB-SE12NY | 1 |
| 5 | MS-JETTRINC12 | 1 |
| 6 | MP-1636044 | 1 |
| 7 | AU-94015 | 1 |
| 8 | BT-LN14SS | 4 |
| 9 | BT-141SS | 4 |



Gabarit AG04



Gabarit AG03



Positionner les autres trous avec la poignée comme gabarit.

DETAIL A

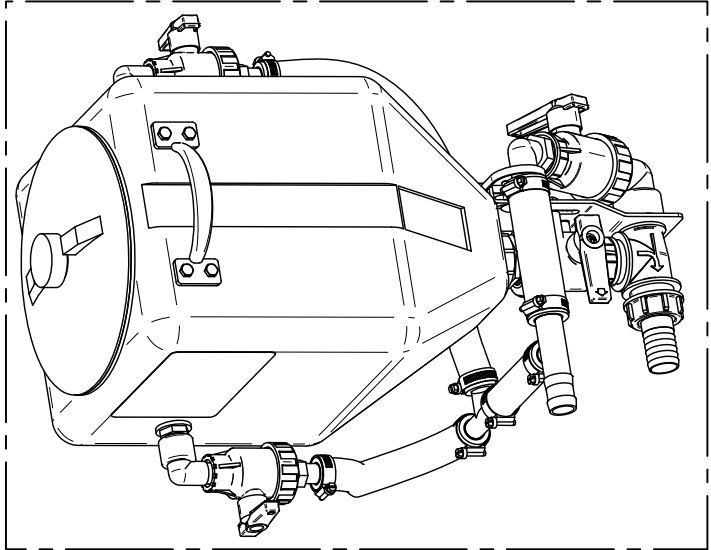
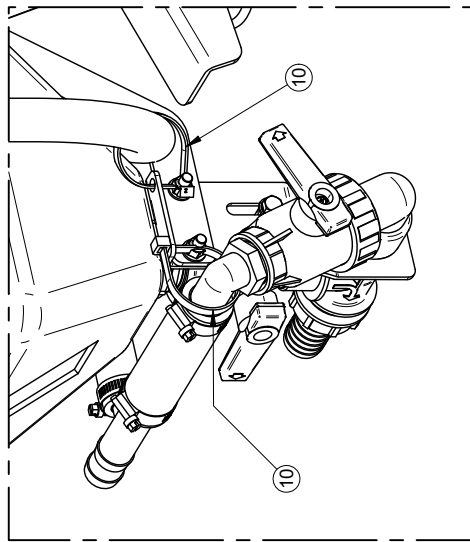
| Rev | Description | Date | Approbation |
|-------|--|---------------------|-------------|
| Rev 2 | Nouvel barre de fixation A320-0010, A320-0009 Alu et A320-0002 | 2019-11-08 [trudej] | |

| # FEUILLE / SHEET # | DATE CREATION | CREATEUR / CREATOR | REVISION DATE | PAGE |
|---------------------|---------------|--------------------|---------------|--------|
| MS-PREM5GPRD | 2006-12-15 | lanolieg | 2019-11-08 | 1 of 3 |

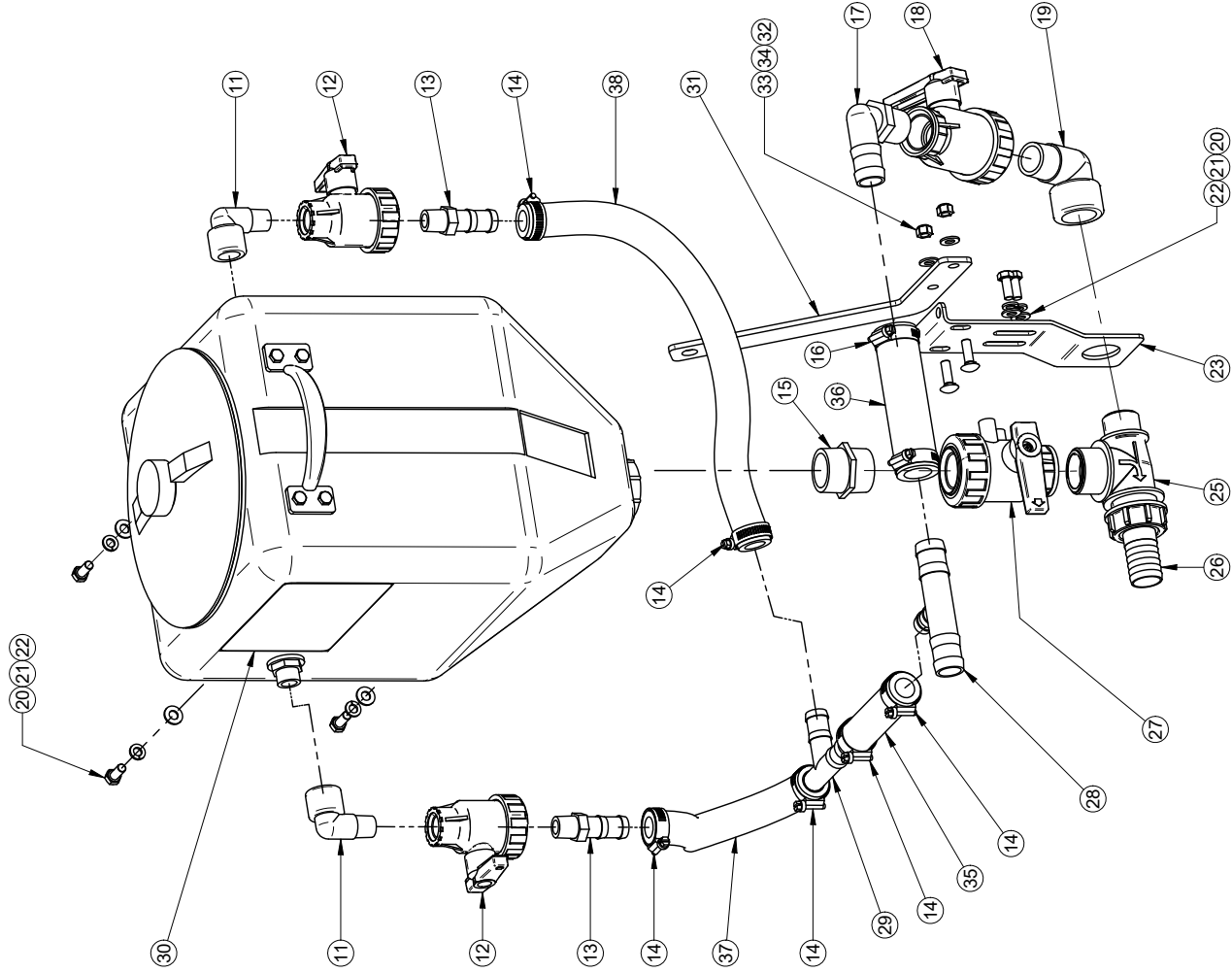
| DESCRIPTION | REVISION PAR /BY | REVISION DATE | REVISION |
|--|------------------|---------------|----------|
| Pré-mélangeur 19 L (5 gal) avec relevage | trudej | | 1 |
| #DESSIN / DRAWING # | ECHELLE / SCALE | | 2 |
| MS-PREM5GPRD | 1:10 | | |

| | |
|--|--|
| <p>1- LES VALEURS SONT EN POUCE SAUF SI SPECIFIÉ</p> <p>VALUES ARE INCHES UNLESS OTHERWISE SPECIFIED</p> <p>2- TOLERANCES GENERALES</p> <p>GENERAL TOLERANCES</p> <p>Frac.: ± 1/16"</p> <p>XX: ± 0.01"</p> <p>XXX: ± 0.005"</p> | |
| <p>AVIS: L'information ci-incluse a été fournie par le fabricant et n'est pas une garantie de performance. MS GREGGON n'est pas responsable des dommages matériels ou corporels résultant de l'utilisation de ce produit. MS GREGGON se réserve tous les droits de propriété, licence, brevet, droit de reproduction, droit de distribution, fabrication et tous droits de reproduction. MS GREGGON, le logo et le nom sont des marques déposées et sont la propriété de MS GREGGON, qui se réserve all patent rights in the design and/or reproduction thereof.</p> | |

| # | REF. | Q. | L" |
|----|------------|----|---------|
| 35 | LV-342N300 | 1 | 3 1/2" |
| 36 | LV-12N300 | 1 | 4 1/2" |
| 37 | LV-342N300 | 1 | 9" |
| 38 | LV-342N300 | 1 | 17 1/2" |



| # | REF. | Q. |
|----|--------------|----|
| 10 | AU-L141200M | 4 |
| 11 | JB-SE12NY | 2 |
| 12 | MP-S301200PP | 2 |
| 13 | JB-IMB0406NY | 2 |
| 14 | DA-SHAS12 | 6 |
| 15 | JB-M1140NY | 1 |
| 16 | DA-SHAS16 | 2 |
| 17 | JB-EL1010NY | 1 |
| 18 | MP-S301320PP | 1 |
| 19 | JB-SE100NY | 1 |
| 20 | BT-51634SS | 6 |
| 21 | BT-LW516SS | 6 |
| 22 | BT-FW516SS | 6 |
| 23 | A320-0009 | 1 |
| 25 | MP-135542 | 1 |
| 26 | MP-1066301 | 1 |
| 27 | MP-S301400PP | 1 |
| 28 | BJ-HBT100075 | 1 |
| 29 | JB-T34NY | 1 |
| 30 | AU-DECPREMR2 | 1 |
| 31 | A320-0010 | 1 |
| 32 | BT-CAR5161 | 2 |
| 33 | BT-LN516 | 2 |
| 34 | BT-FW516 | 2 |



1- LES VALEURS SONT EN POUCES SAUF SI SPECIFIÉ
 1- VALUES ARE INCHES UNLESS OTHERWISE SPECIFIED
 2- TOLERANCES GENERALES
 F: ± 1/16"
 X: ± 0.01"
 XX: ± 0.01"
 XXX: ± 0.005"

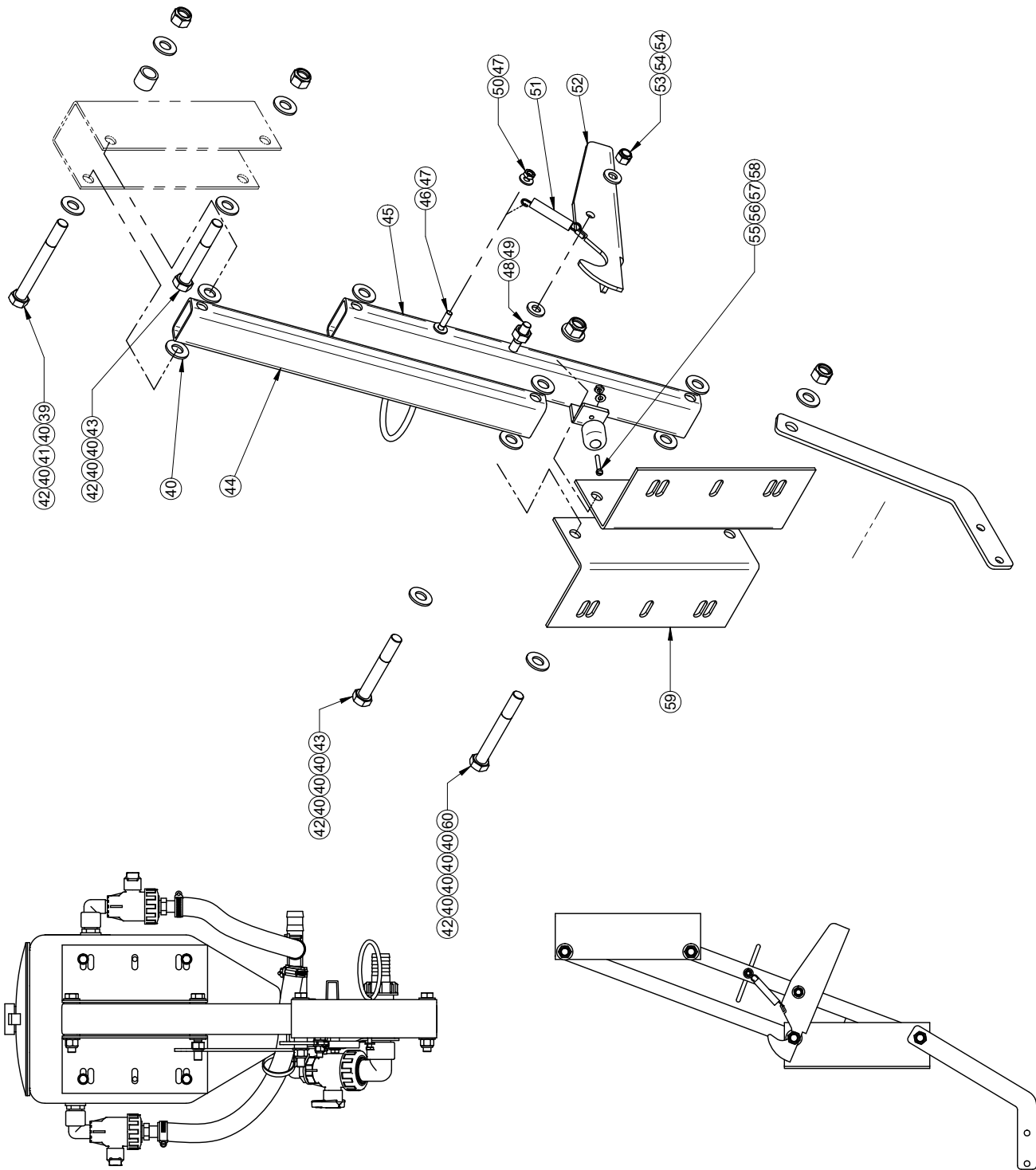
AVIS: L'information contenue à cet avis de propriété, licence, droits de reproduction, etc. est la propriété de MS GREGSON, qui réserve all rights therein. No part of this information may be reproduced without the prior written permission of MS GREGSON.

FEUILLE / SHEET # MS-PREM5GPRD-001
 # DESSIN / DRAWING # MS-PREM5GPRD

DESCRIPTION
 Pré-mélangeur 19 L (5 gal) avec relevage

| DATE CREATION | CREATEUR / CREATOR | REVISION DATE | PAGE |
|---------------|--------------------|---------------|----------|
| 2006-12-15 | lanolieg | 2019-11-08 | 2 of 3 |
| | | trudej | REVISION |
| | | 1-5-33 | 2 |

| # | Ref. | Q. |
|----|------------|----|
| 39 | BT-12412 | 1 |
| 40 | BT-FW12 | 16 |
| 41 | MS-IBSPF | 1 |
| 42 | BT-LN12 | 4 |
| 43 | BT-12312 | 2 |
| 44 | MS-IBSPA | 1 |
| 45 | MS-IBSPB | 1 |
| 46 | MS-AN353 | 1 |
| 47 | BT-FW14 | 2 |
| 48 | BT-38312 | 1 |
| 49 | BT-N716 | 1 |
| 50 | BT-LN14 | 1 |
| 51 | AU-RC34 | 1 |
| 52 | MS-IBSPD | 1 |
| 53 | BT-LN38 | 1 |
| 54 | BT-FW38 | 2 |
| 55 | BT-8321 | 1 |
| 56 | SN-315253 | 1 |
| 57 | BT-FW316SS | 1 |
| 58 | BT-LN832SS | 1 |
| 59 | A320-0003 | 2 |
| 60 | BT-124 | 1 |

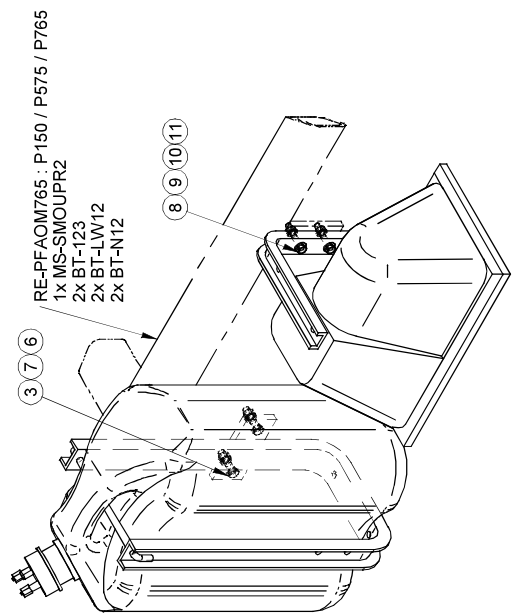
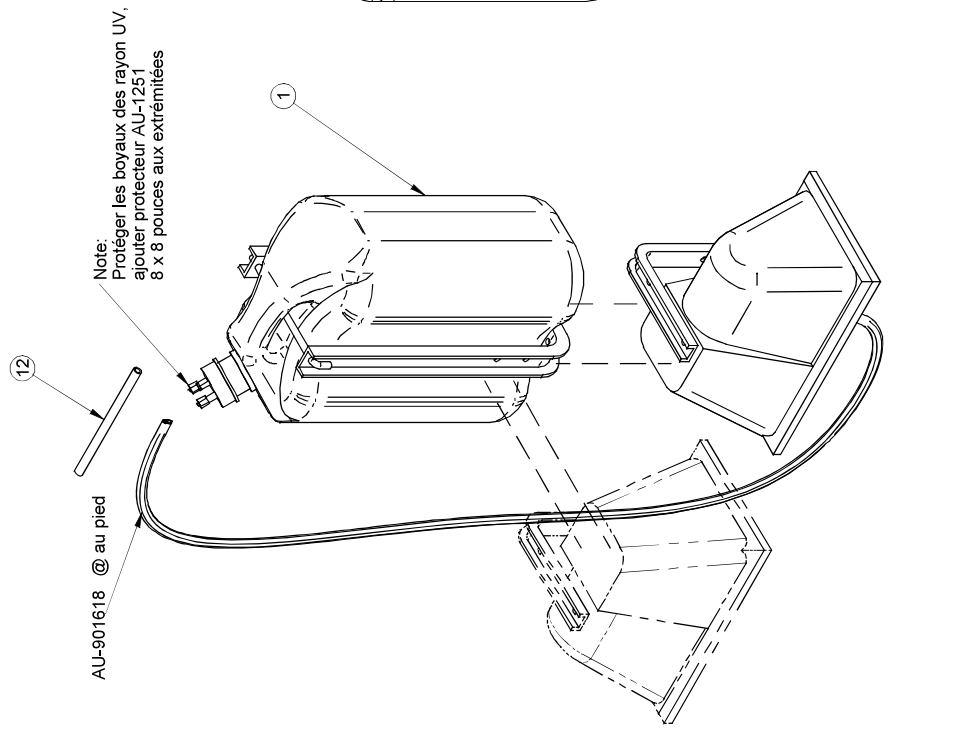


| | | | | | |
|--|---------------------|--|--------------------|------------------------------------|--------|
| <p>AVIS: L'information ci-dessus a été fournie par le fabricant. MS GREGSON n'assume aucune responsabilité en ce qui concerne les droits de propriété, licence, brevet, droits de reproduction, etc. MS GREGSON, qui détient le brevet de cet appareil, se réserve le droit de modifier sans préavis les spécifications techniques, les dimensions, les matériaux, les couleurs, les finitions, les emballages, les accessoires, les options, les logiciels, les programmes, les procédures, les manuels, les notices, les schémas, les dessins, les plans, les spécifications, les conditions de vente, les conditions de livraison, les conditions de paiement, les conditions de garantie, les conditions de service après-vente, les conditions de transport, les conditions de stockage, les conditions de conservation, les conditions de distribution, les conditions de vente au détail, les conditions de vente au grossiste, les conditions de vente au public, les conditions de vente au particulier, les conditions de vente au professionnel, les conditions de vente au consommateur, les conditions de vente au fournisseur, les conditions de vente au distributeur, les conditions de vente au revendeur, les conditions de vente au détaillant, les conditions de vente au grossiste, les conditions de vente au public, les conditions de vente au particulier, les conditions de vente au professionnel, les conditions de vente au consommateur.</p> | # FEUILLE / SHEET # | DATE CREATION | CREATEUR / CREATOR | REVISION DATE | PAGE |
| | MS-PREM5GPRD-002 | 2006-12-15 | lanolieg | 2019-11-08 | 3 of 3 |
| <p>DESCRIPTION</p> <p>Pré-mélangeur 19 L (5 gal) avec relevage</p> | | <p>REVISION PAR / BY</p> <p>trudej</p> | | <p>ECHELLE / SCALE</p> <p>1:10</p> | |
| <p>MS-PREM5GPRD</p> | | <p>REVISION</p> <p>2</p> | | <p>REVISION</p> <p>2</p> | |

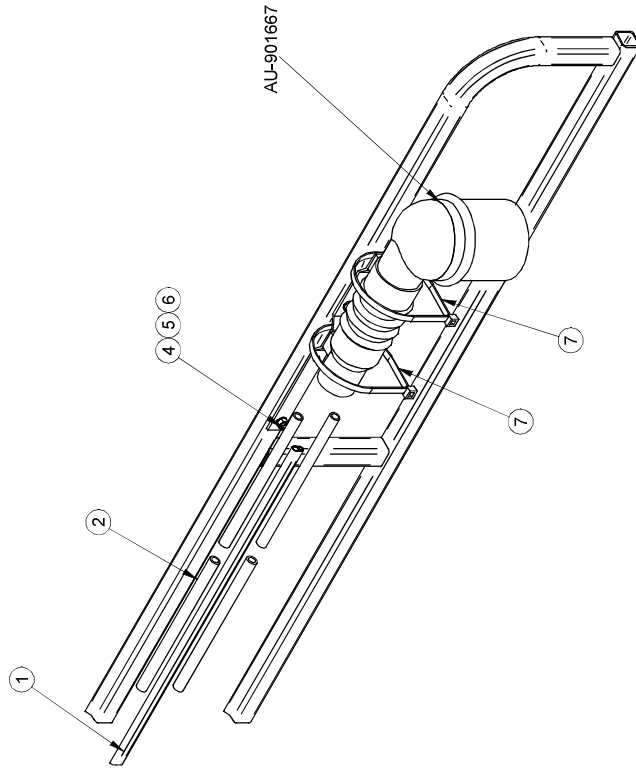
1- LES VALEURS SONT EN POUCES SAUF SI SPECIFIE
 1- VALUES ARE INCHES UNLESS OTHERWISE SPECIFIED
 2- TOLERANCES GENERALES
 F: ± 1/16"
 X: ± 0.01"
 XX: ± 0.1"
 XXX: ± 0.005"

| | | | |
|-------|------------|-------------|-------------|
| Rev 2 | 2019-11-08 | trudej | Approbation |
| Rev | Date | Description | Approbation |

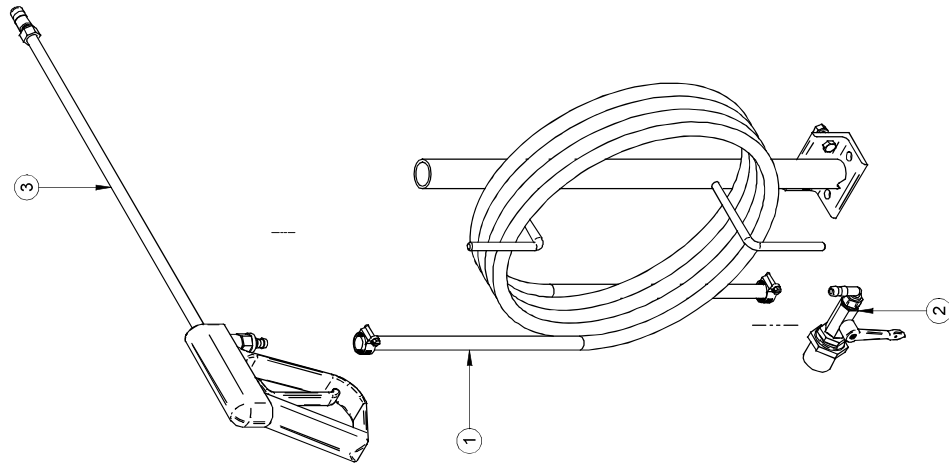
| # | Ref. | Q. | L" |
|----|-------------|----|----|
| 1 | MS-901654PR | 1 | |
| 3 | BT-38112 | 2 | |
| 4 | BT-38212 | 1 | |
| 5 | BT-383 | 1 | |
| 6 | BT-LW38 | 2 | |
| 7 | BT-N38 | 2 | |
| 8 | BT-516134 | 2 | |
| 9 | BT-LW516 | 2 | |
| 10 | BT-FW516 | 2 | |
| 11 | BT-N516 | 2 | |
| 12 | AU-1251 | 8 | 8" |



| # | Ref. | Q. | " |
|---|-------------|----|--------|
| 1 | AU-901618 | 1 | 1920 " |
| 2 | AU-1251 | 4 | 8 " |
| 4 | BT-14112 | 4 | |
| 5 | BT-LW14 | 4 | |
| 6 | BT-N14 | 4 | |
| 7 | AU-L141200M | 4 | |



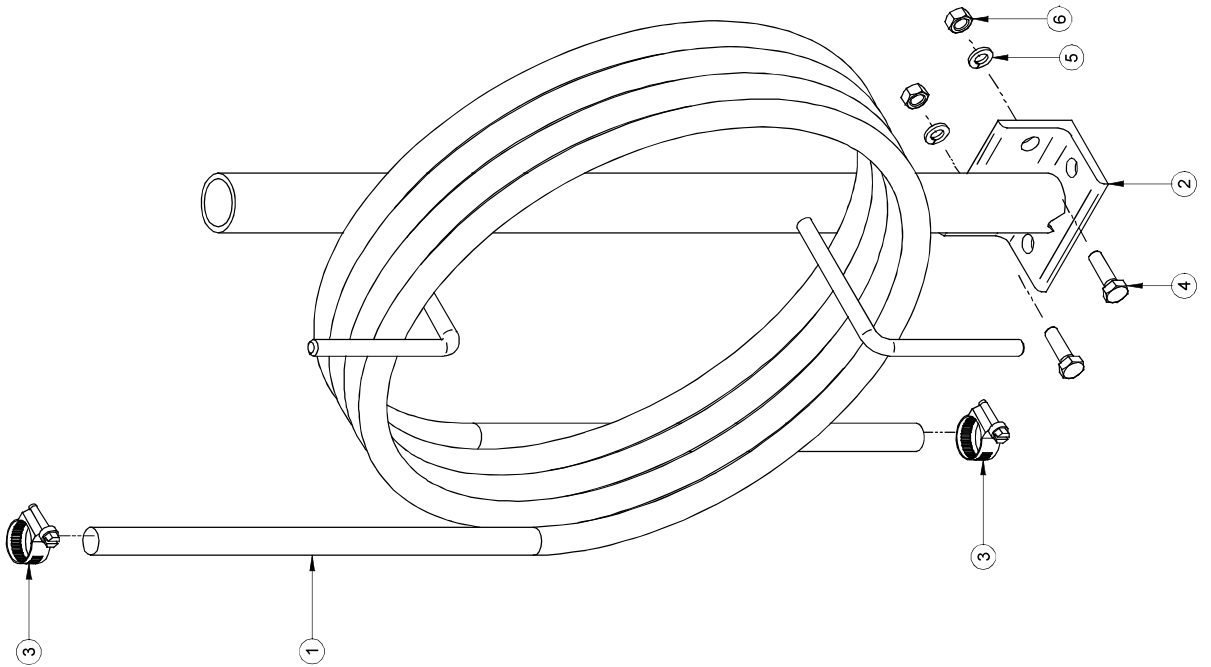
| # | Ref. | Q. |
|---|---------------|----|
| 1 | RE-SB25037 | 1 |
| 2 | RE-ACM037 | 1 |
| 3 | RE-FU18A18037 | 1 |



| | | | |
|------------|-----------------|--------|-------------|
| 2008/02/26 | RE-FU25R6CM.asm | Rev. 0 | Pg:1-1 |
| | RE-FU25R6CM.dft | | RE-FU25R6CM |

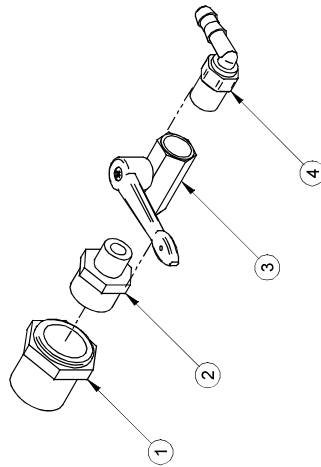
| # | Ref. | Q. | L" |
|---|---------|----|-------|
| 1 | AS-381N | 1 | 300 " |

| # | Ref. | Q. |
|---|----------|----|
| 2 | MS-SBF | 1 |
| 3 | DA-HS6 | 2 |
| 4 | BT-5161 | 2 |
| 5 | BT-LW516 | 2 |
| 6 | BT-N516 | 2 |



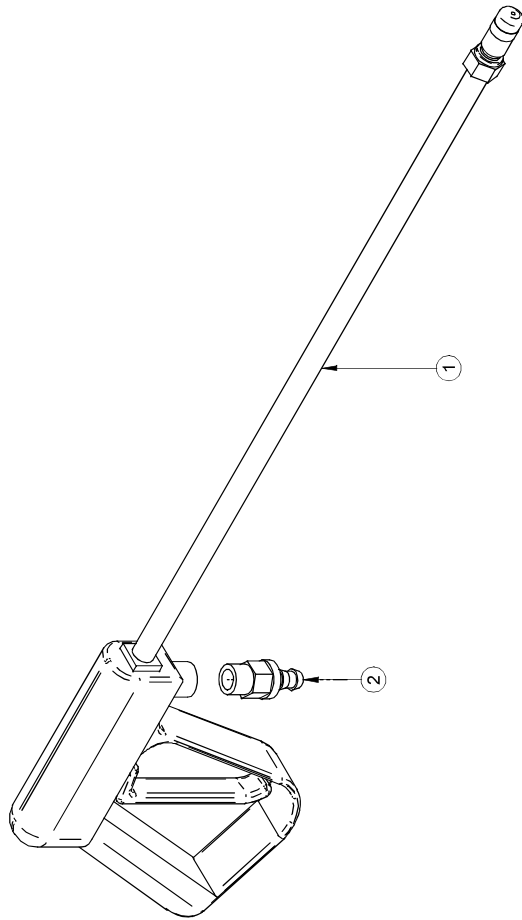
| | | | |
|------------|----------------|--------|------------|
| 2008/02/26 | RE-SB25037.asm | Rev. 0 | Pg:1-1 |
| | RE-SB25037.dft | | RE-SB25037 |

| # | Ref. | Q. |
|---|----------------|----|
| 1 | JB-RB10034NY | 1 |
| 2 | JB-RMM0306NY40 | 1 |
| 3 | JB-036FFBT | 1 |
| 4 | JB-EL3838NY | 1 |



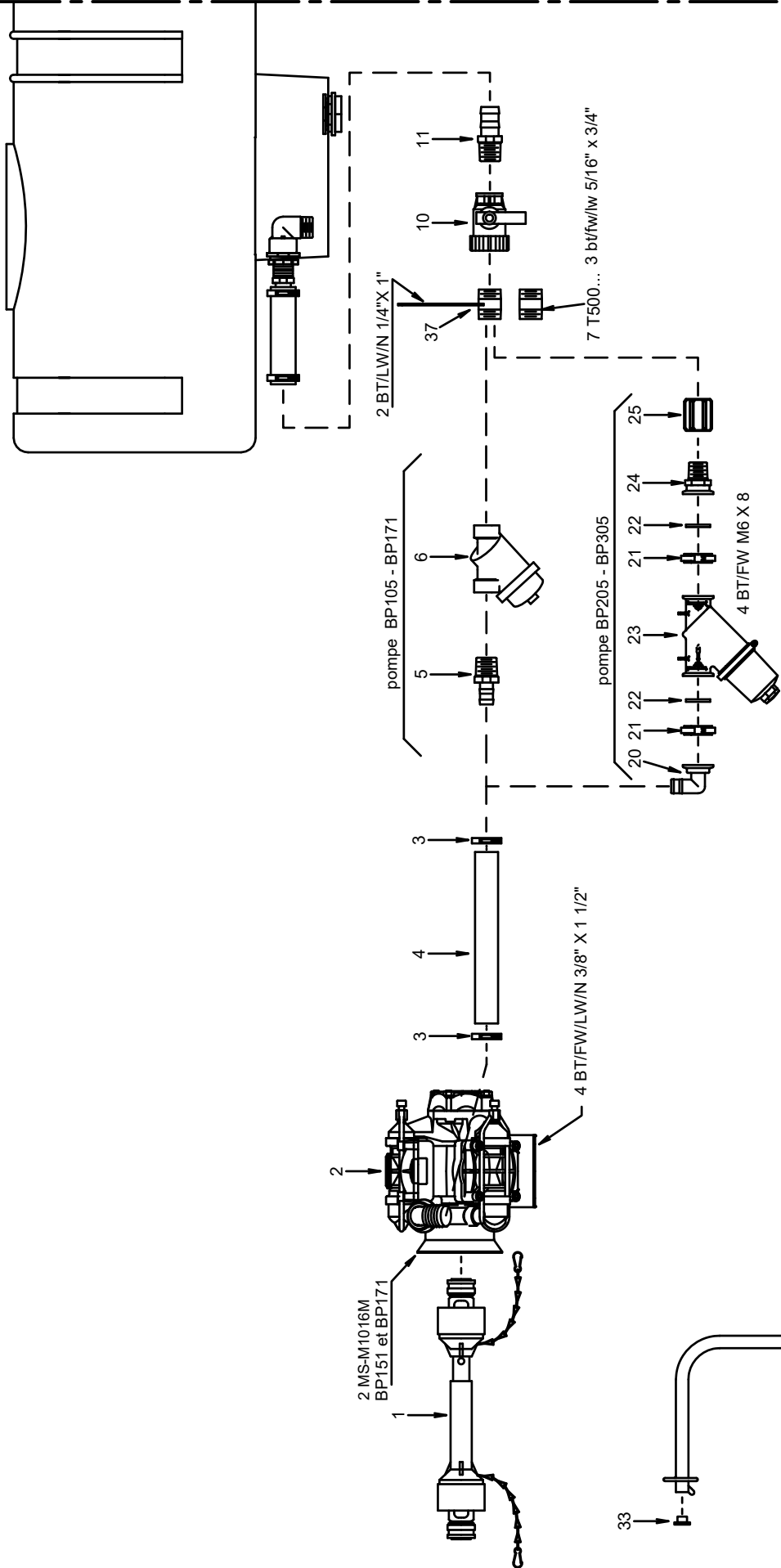
| | | | |
|------------|---------------|--------|-----------|
| 2008/02/19 | RE-ACM037.asm | Rev. 0 | Pg:1-1 |
| | RE-ACM037.dft | | RE-ACM037 |

| # | Ref. | Q. |
|---|----------------|----|
| 1 | MS-FU18A18 | 1 |
| 2 | JB-IMB0303BRSW | 1 |



| | | | |
|------------|-------------------|--------|---------------|
| 2008/02/19 | RE-FU18A18037.asm | Rev. 0 | Pg:1-1 |
| | RE-FU18A18037.dft | | RE-FU18A18037 |

| | |
|-----------------------------------|------------------------|
| Ajustement accumulateur sur pompe | |
| Pression travail | Contrôle Pression acc. |
| 0 - 100 lbs/po ² | CE100 |
| 0 - 290 lbs/po ² | CE290 |



| | |
|---|-------------------|
| PULVÉRISATEUR MS Inc. | |
| PULVAGIREMORQUEIPOMPEIRBPT750 | |
| DATE: 2001-09-21 | PAR: G.L. |
| REV: 2023-12-05 | PAR: J.T. #REV: 2 |
| TITRE: POMPE DIAPHRAGME PULV. REM. T750 | |
| # REC.: MS-RBP105T750 MS-RBP125T750 | |
| MS-RBP151T750 MS-RBP171T750 MS-RBP205T750 | |
| MS-RBP265T750 MS-RBP305T750 | |
| APP: | |

- BP105
 - BP125
 - BP151
 - BP171
 - BP205
- BP265 } 2 BT/FW/LW/N 1/2" X 3"
- BP305 } 2 BT/FW/LW/N 1/2" X 3"



PULVÉRISATEUR MS
 Div. de RAD Technologies Inc.
 4300 rue Vachon, Drummondville QC J2B 6V4, Canada
 Tél.: 819-474-1910 Fax: 819-474-5317 sales@msspray.com

| | |
|-----------------|----------------------|
| BOM | MS-RBP125T750 |
| REVISION | 2 |

Desc. Française **Ens. de pompe BP125 avec aspiration pulv. rem. t750**
 English Desc. **T750 trailer sprayer bp125 pump kit**

| Réf. | Quantité | Produit | Description française | English Description |
|------|----------|--------------|---|---|
| 1 | 1.00 | CA-PTO0322 | Arbre p dF 22", 1 3/8" x 1 3/8" 6 cannelures, série 20 | Pto shaft 22", 1 3/8"6sp x 1 3/8"6sp, series 20 |
| 2 | 1.00 | CO-BP125/20 | Pompe à membrane 121 l/min 290 lbs/po2, 1 3/8 6cannelures | Diaphragm pump 32 gpm 290 psi, 1 3/8"6sp |
| 3 | 2.00 | DA-HS28 | Collets 1 5/16" x 2 1/4" | Collar 1 5/16" x 2 1/4" |
| 4 | 1.50 | LV-112PVC | Boyau vert renf., 1 1/2", 70 lb/po2, succion | Suction hose 1 1/2", green |
| 5 | 1.00 | BJ-HB200150 | Raccord droit 2"mnpt x 1 1/2"hb céd.80 ny. | Straight adapt. 2"mnpt x 1 1/2"hb ced.80 ny. |
| 6 | 1.00 | BJ-LS20050 | Filtreur en Y, 2", 50 mailles | Y type filter, 2", 50 mesh |
| 7 | 1.00 | JB-M2000NY | Mamelon court 2"mnpt x 2"mnpt céd.80 ny | Close nipple 2"mnpt x 2"mnpt ced.80 ny |
| 10 | 1.00 | MP-S301630PP | Valve à bille 2v 2"fnpt ny, joint EPDM | Ball valve 2v 2"fnpt ny, EPDM seal |
| 11 | 1.00 | JB-IMB1616NY | Adapt. droit 2"mnpt x 2"hb céd.80 ny. | Straight adapt. 2"mnpt x 2"hb ced.80 ny. |
| 18 | 1.00 | MS-SPR18R3 | Support pompe BP125 et BP171 | BP125 and BP171 pump base |
| 33 | 1.00 | AU-FCP161 | Bouchon carré 1" en plastique | Square plug 1" plastic |
| 37 | 1.00 | MS-SFAR | Sup. 2" mnpt, inox. | 2" mnpt support, ss |



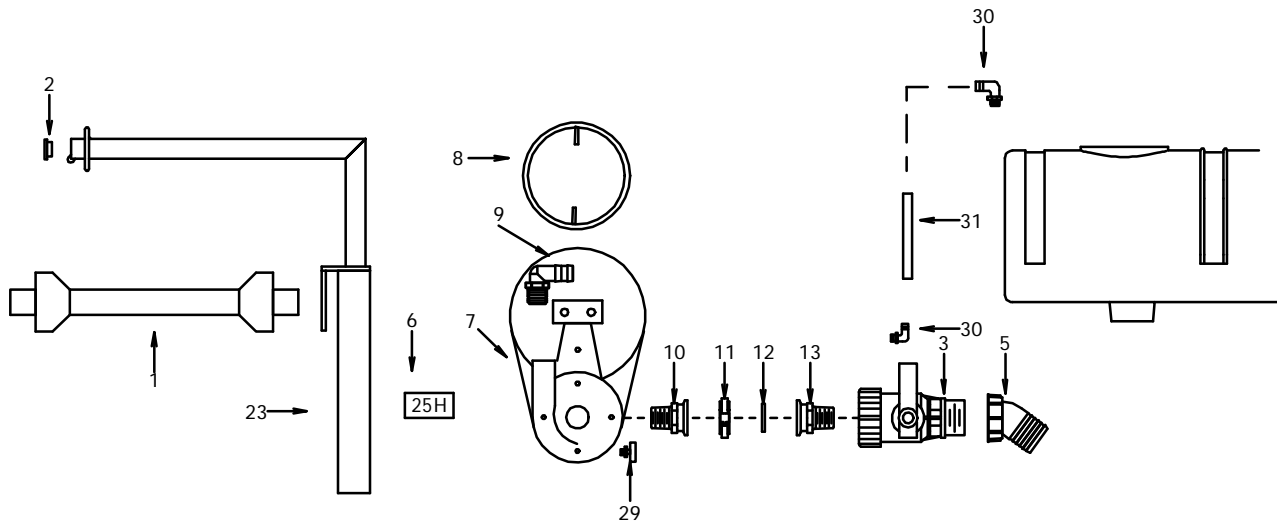
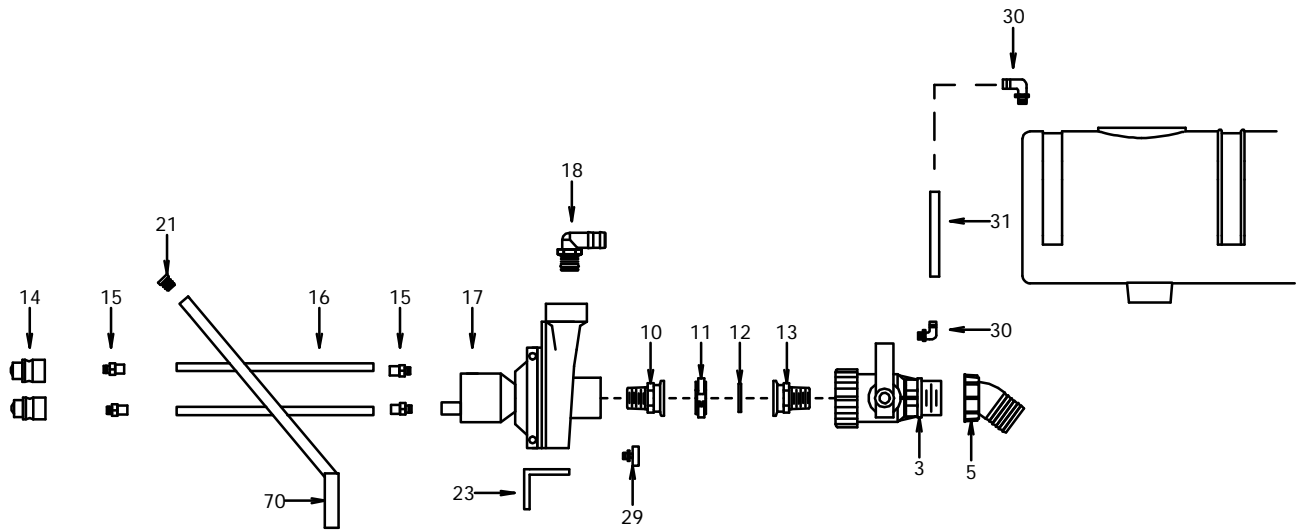
PULVÉRISATEUR MS
 Div. de RAD Technologies Inc.
 4300 rue Vachon, Drummondville QC J2B 6V4, Canada
 Tél.: 819-474-1910 Fax: 819-474-5317 sales@msspray.com

| | |
|-----------------|----------------------|
| BOM | MS-RBP171T750 |
| REVISION | 2 |

Desc. Française **Ens. de pompe bp171 avec aspiration pulv. rem. t750**
 English Desc. **T750 trailer sprayer bp171 pump kit**

| Réf. | Quantité | Produit | Description française | English Description |
|------|----------|--------------|--|---|
| 1 | 1.00 | CA-PTO0322 | Arbre pdf 22", 1 3/8" x 1 3/8" 6 cannelures, série 20 | Pto shaft 22", 1 3/8"6sp x 1 3/8"6sp, series 20 |
| 2 | 1.00 | CO-BP171/20 | Pompe à membrane 168 l/min 290 lb/po2, 1 3/8 6cannelures | Diaphragm pump 168 l/min 290 lb/po2, 1 3/8" |
| 3 | 2.00 | DA-HS28 | Collets 1 5/16" x 2 1/4" | Collar 1 5/16" x 2 1/4" |
| 4 | 1.50 | LV-112PVC | Boyau vert renf., 1 1/2", 70 lb/po2, suction | Suction hose 1 1/2", green |
| 5 | 1.00 | BJ-HB200150 | Raccord droit 2"mnpt x 1 1/2"hb céd.80 ny. | Straight adapt. 2"mnpt x 1 1/2"hb ced.80 ny. |
| 6 | 1.00 | BJ-LS20050 | Filtreur en Y, 2", 50 mailles | Y type filter, 2", 50 mesh |
| 7 | 1.00 | JB-M2000NY | Mamelon court 2"mnpt x 2"mnpt céd.80 ny | Close nipple 2"mnpt x 2"mnpt ced.80 ny |
| 10 | 1.00 | MP-S301630PP | Valve à bille 2v 2"fnpt ny, joint EPDM | Ball valve 2v 2"fnpt ny, EPDM seal |
| 11 | 1.00 | JB-IMB1616NY | Adapt. droit 2"mnpt x 2"hb céd.80 ny. | Straight adapt. 2"mnpt x 2"hb ced.80 ny. |
| 18 | 1.00 | MS-SPR18R3 | Support pompe BP125 et BP171 | BP125 and BP171 pump base |
| 33 | 1.00 | AU-FCP161 | Bouchon carré 1" en plastique | Square plug 1" plastic |
| 37 | 1.00 | MS-SFAR | Sup. 2" mnpt, inox. | 2" mnpt support, ss |

POMPE CENTRIFUGE HYD. CENTRIFUGAL PUMP



| | | |
|---------------------------------|-----------------------|---------|
| | PULVÉRISATEUR MS Inc. | |
| | MS SPRAYER Inc. | |
| \\PULVAGIREMORQUE\POMPE\RCENAR1 | | |
| DATE: 2006-01-10 | PAR/By: G.L. | |
| REV: 2012-05-31 | PAR/By: J.T. | #REV: 2 |
| # REC.: MS-RCENAR1 | | |
| MS-RCENHYAR1 | | |
| | | APP: |



PULVÉRISATEUR MS
 Div. de RAD Technologies Inc.
 4300 rue Vachon, Drummondville QC J2B 6V4, Canada
 Tél.: 819-474-1910 Fax: 819-474-5317 sales@msspray.com

BOM

MS-RCENAR1

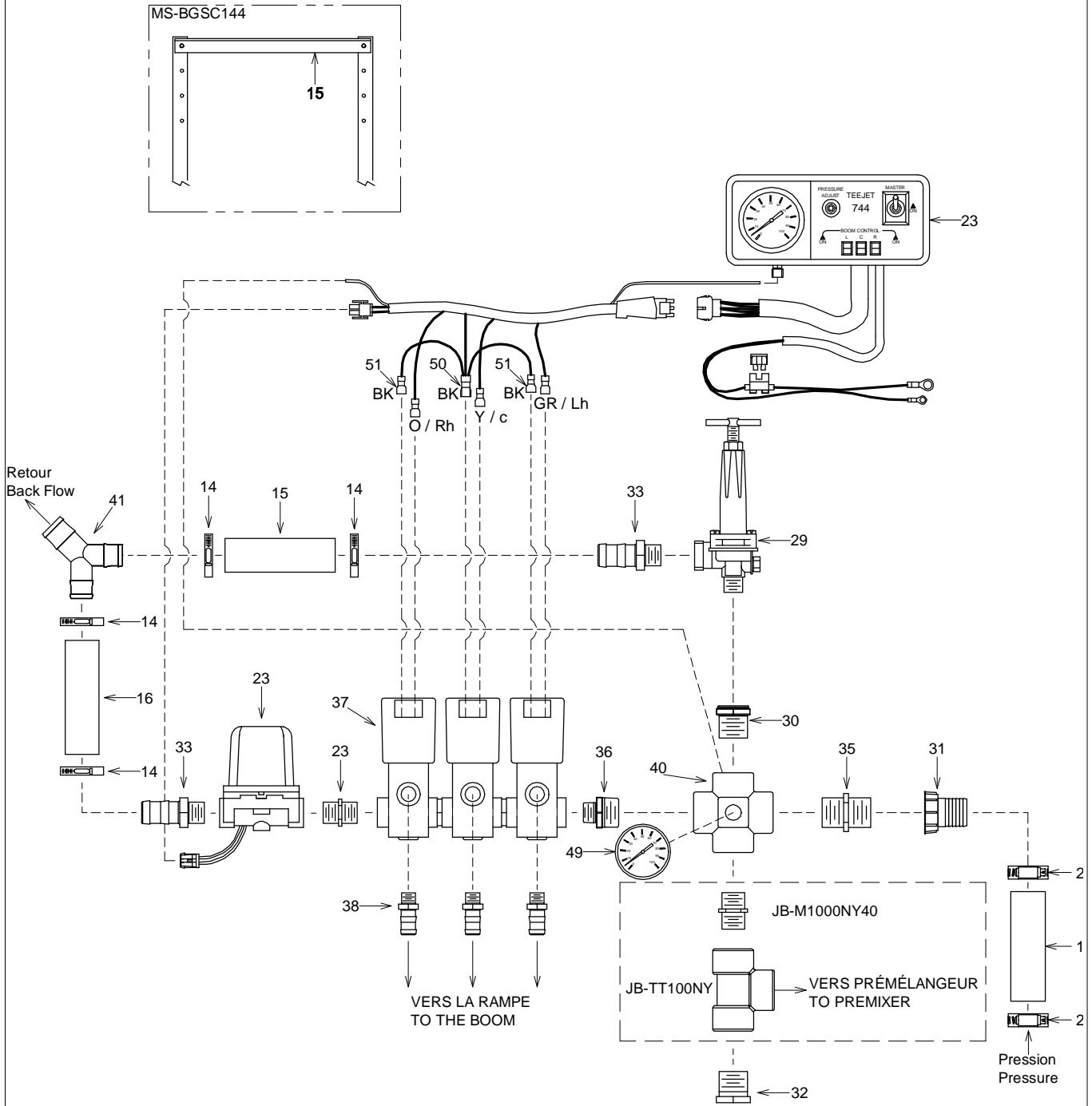
REVISION


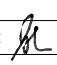
2

Desc. Française **Ens. de pompe 9403 avec aspiration 2 voies pulv. rem,**
 English Desc. **T750 trailer sprayer 9403 pump kit**

| Réf. | Quantité | Produit | Description française | English Description |
|------|----------|-----------------|--|---|
| 1 | 1.00 | CA-PTO0119 | Arbre pdf 19", 1 3/8" 6 cannelures x 1" | Pto shaft 19", 1 3/8" 6sp x 1" series 20 |
| 2 | 1.00 | AU-FCP161 | Bouchon carré 1" en plastique | Square plug 1" plastic |
| 3 | 1.00 | MP-453006B77 | Valve à bille 2v 2"mbsp x 2"fbsp | 2w ball valve 2"MxF bsp |
| 5 | 1.00 | MP-1177501 | Adapt. coudé 45o, 2"fbbsp x 2"hb céd.40 ny | Elbow 45o adapt. 2"hb x 2"fnpt ced.40 ny |
| 6 | 1.00 | AU-DECGR25H | Autocollant graisser au 25 hres 1" x 2" | Decal "grease every 25h" |
| 7 | 1.00 | JB-9403C540S | Pompe cent. courroie 98gpm, 540rpm, 60lb/po2, 1" | Cent. pump-belt drive, 98gpm, 540rpm, 60psi, 1" |
| 8 | 1.00 | MS-GPDFPC | Garde p.d.f. pompe centrifuge | Centrifugal pump p.t.o. guard |
| 9 | 1.00 | JB-EL1141NY | Adapt. coudé 1 1/4"mnpt x 1"hb céd.80 ny | Elbow adapt. 1 1/4"mnpt x 1"hb ced.80 ny |
| 9 | 1.00 | JB-EL114112NY40 | Adapt. coudé 1 1/4"mnpt x 1 1/2"hb céd.40 ny | Elbow adapt. 1 1/4"mnpt x 1 1/2"hb ced.40 ny |
| 10 | 1.00 | BJ-M200150MPT | Raccord droit bridé 2" x 1 1/2"mnpt série 200 ny | Straight adapt. flange 2" x 1 1/2"mnpt 200 series n |
| 11 | 1.00 | BJ-FC200 | Collet série 200 | Clamp 200 series |
| 12 | 1.00 | BJ-150G | Joint d'étanchéité epdm série 200 standard | Epdm gasket standard 200 series |
| 13 | 1.00 | BJ-M200MPT | Raccord droit bridé 2" x 2"mnpt ny | Straight adapt. flange 2" x 2"mnpt ny |
| 23 | 1.00 | MS-SPR11 | Support de pompe centrifuge | Centrifugal pump support |
| 29 | 1.00 | AU-243A | Vanne de drain 1/8"mnpt laiton | Drain valve 1/8"mnpt brass |
| 30 | 2.00 | AU-D7069-3A | Coude 3/16"tube x 1/8"mnpt | Connector elbow 3/16"tube x 1/8"mnpt |
| 31 | 10.00 | AU-33TNHN | Boyau 3/16"o.d. mur 0.039",nh, noir | 3/16"o.d. tube, 0.039" wall, nh, black |

Cont. K744 100 lb/po², pompe diaph.
K744 100 psi control, diaphragm pump



| | | | |
|--|---------------|------------------------------------|--|
|  PULVÉRISATEUR MS Inc. MS SPRAYER Inc. | | | |
| | | \PULVAG\CONTROLE MODULAIRE\CE100R4 | |
| DATE: 2001-08-28 | PAR/ BY: P.B. | | |
| REV: 2007-09-06 | PAR/ BY: D.T. | #REV: 2 | |
| # REC.: MS-CE100R4 | | | |
| MS-ALIM1501 | | | |
| | | | APP:  |

APPROUVÉ LE: 2008-01-12 11:27:22 PAR: LANDIEG



PULVÉRISATEUR MS
 Div. de RAD Technologies Inc.
 4300 rue Vachon, Drummondville QC J2B 6V4, Canada
 Tél.: 819-474-1910 Fax: 819-474-5317 sales@msspray.com

BOM

MS-CE100R4

REVISION

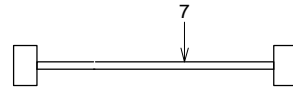
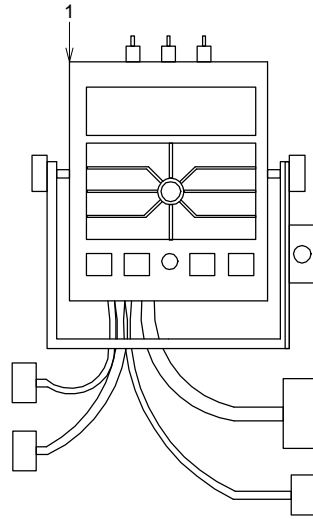
2



Desc. Française § Cont. K744 100 lb/po², pompe membrane

English Desc. K744 100 psi control, diaphragm pump

| Réf. | Quantité | Produit | Description française | English Description |
|------|----------|-----------------|---|---|
| 1 | 10.00 | LV-12N | Boyau noir, 1", 150 lb/po2, caoutchouc 2 plis uni | Black hose, 1", 150 psi, rubber smooth 2 pli |
| 2 | 2.00 | DA-SHAS16 | Collier de serrage en acier inox. 11/16" x 1 1/2" | Stainless collar 11/16" x 1 1/2" |
| 14 | 4.00 | DA-SHAS16 | Collier de serrage en acier inox. 11/16" x 1 1/2" | Stainless collar 11/16" x 1 1/2" |
| 15 | 48.00 | LV-12N | Boyau noir, 1", 150 lb/po2, caoutchouc 2 plis uni | Black hose, 1", 150 psi, rubber smooth 2 pli |
| 16 | 9.00 | LV-12N | Boyau noir, 1", 150 lb/po2, caoutchouc 2 plis uni | Black hose, 1", 150 psi, rubber smooth 2 pli |
| 23 | 1.00 | JB-K744A100D30L | Cont. élect. 3 sect. 0-100 lb/po2 16' cab./244, liquide | Elect.cont.+1 reg-val, liquid gauge |
| 24 | 1.00 | MS-RAASBHD | Sup, boyau hyd. double raa | Air assisted boom double hyd. hose brace |
| 29 | 1.00 | MS-846034300 | Régulateur 3/4" x 300 lb/po2 | Regul.ator 3/4" x 300 psi |
| 30 | 1.00 | JB-RB10034NY | Réduit 1" mnpt x 3/4" fnpt céd.80 ny | Reducer 1" mnpt x 3/4" fnpt ced.80 ny |
| 31 | 1.00 | MP-1064251 | Adapt. droit 1" pfbps x 1" hb céd.40 ny | Straight adapt. 1" fnpt x 1" hb ced.40 ny |
| 32 | 1.00 | JB-VMM0008NY40 | Bouchon 1" mnpt céd.40 ny | Plug 1" mnpt ced.40 ny |
| 33 | 2.00 | JB-IMB0608BR | Adapt. droit 3/4" mnpt x 1" hb céd.40 br. | Straight adapt. 3/4" mnpt x 1" hb ced.40 br. |
| 35 | 1.00 | JB-M1000NY40 | Mamelon court 1" mnpt x 1" mnpt céd.40 ny | Close nipple 1" mnpt x 1" mnpt ced.40 ny |
| 36 | 1.00 | BJ-RN100075 | Mamelon réducteur 1" mnpt x 3/4" mnpt céd.80 ny | Nipple red. 1" mnpt x 3/4" mnpt ced.80 ny |
| 37 | 1.00 | JB-AA144P3 | Valve (3) solénoïde 2v 3/4" fnpt 100 lb/po2 12vcc | Solenoid valve (3) 2v 3/4" fnpt 100 psi 12vcc |
| 38 | 3.00 | JB-IMB0406BR | Adapt. droit 1/2" mnpt x 3/4" hb céd.40 br. | Straight adapt. 1/2" x 3/4" hb ced.40 br. |
| 40 | 1.00 | MS-CR1001418NPT | Croix 1" fnpt percée x 1/4" fnpt x 1/8" fnpt | Cross 1" fnpt drilled x 1/4" fnpt x 1/8" fnpt |
| 41 | 1.00 | MP-140002 | Adapt. en y 1" hb | Y adapt. 1" hb |
| 49 | 1.00 | JB-025FFBC00160 | Cadran mont. arr. 1/4" mnpt 0 à 160 lb/po2x2 1/2" l br | Back mount gage 1/4" mnpt 0 to 160 psi x2 1/2" l br |
| 50 | 1.00 | DO-762093 | Cosse femelle 12-10 | Terminal fem. 12-10 |
| 51 | 2.00 | DO-761357 | Cosse femelle 16-14 | Terminal fem. 16-14 |

Contrôleur Spray Mate 3 sections
3 sections Spray Mate controller



| | | | |
|---|---------------|------------------------------|--|
|  | | PULVÉRISATEUR MS Inc. | |
| | | MS SPRAYER Inc. | |
| \PULVAG\CONTROLE MODULAIRE\SM | | | |
| DATE: 2002-12-02 | PAR/ BY: G.L. | | |
| REV: 2003-11-27 | PAR/ BY: G.L. | #REV: 1 | |
| # REC.: MS-SM | MS-SMT500 | | |
| MS-CAD4RS | | | |
| | | | APP:  |

APPROUVÉ LE: 2007-01-18 09:31:30 PAR: LANDIEG



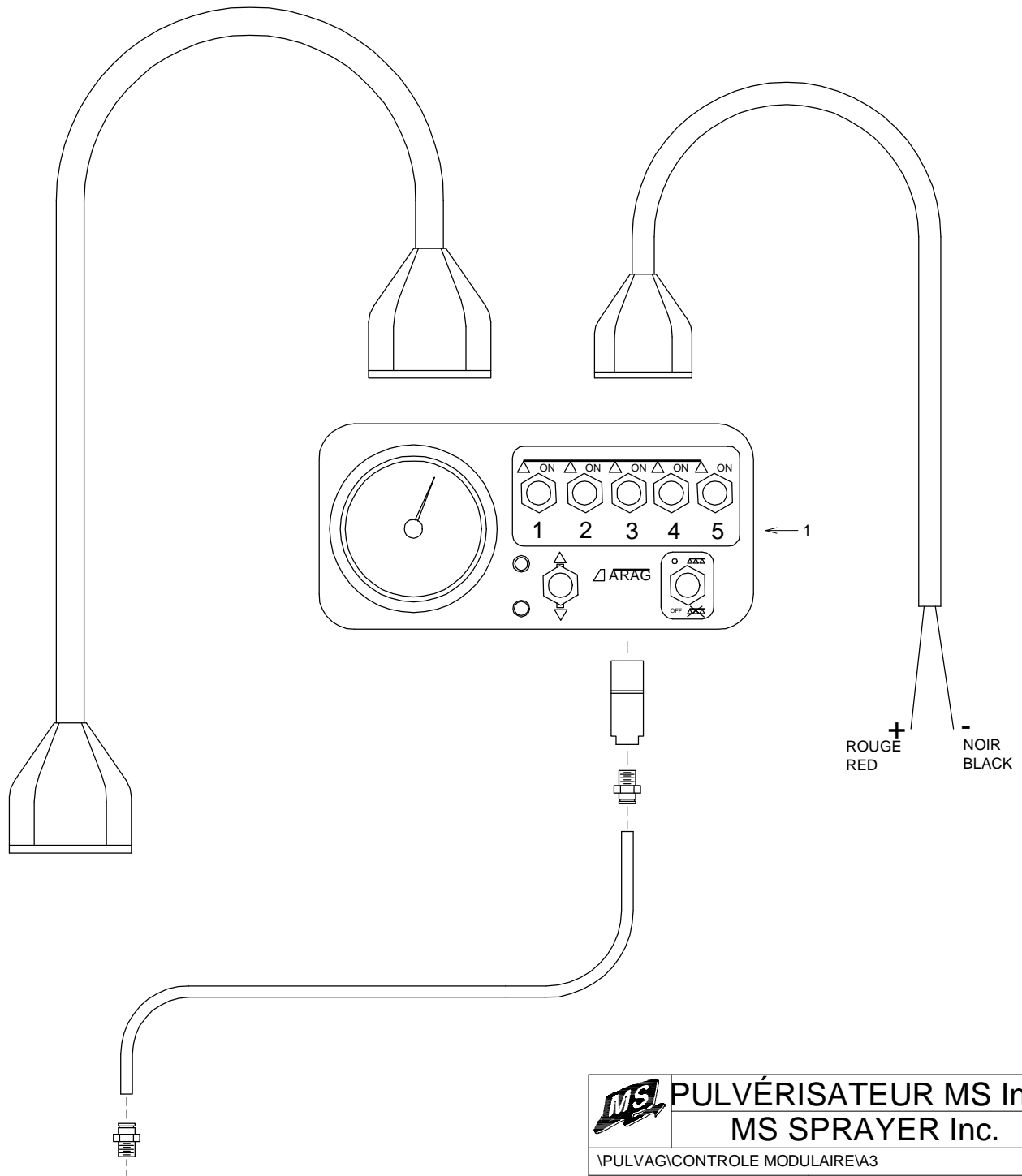
PULVERISATEUR MS / MS SPRAYER
 Div. de/of RAD Technologies Inc.
 4300 Vachon, Drummondville QC J2B 6V4, Canada
 Tel.: 819-474-1910 Fax: 819-474-5317 sales@msspray.com

| | |
|-----------------|----------------|
| BOM | MS-SMR2 |
| REVISION | 0 |



Description Française **Contrôleur spray mate 3 sections avec câble**
 English Description **3 sections spray mate controler with cable**

| <u>Ref.</u> | <u>Q</u> | <u>Prd</u> | <u>Ref.</u> | <u>Q</u> | <u>Prd</u> | <u>Ref.</u> | <u>Q</u> | <u>Prd</u> |
|-------------|----------|------------|-------------|----------|------------|-------------|----------|------------|
| 1 | 1.00 | MT-01341 | | | | | | |
| 2 | 1.00 | MT-14226 | | | | | | |

CONTRÔLE ARAG3 ET 5 SECTIONS AVEC CABLE 3 AND 5 SECTIONS ARAG CONTROL WITH CABLE

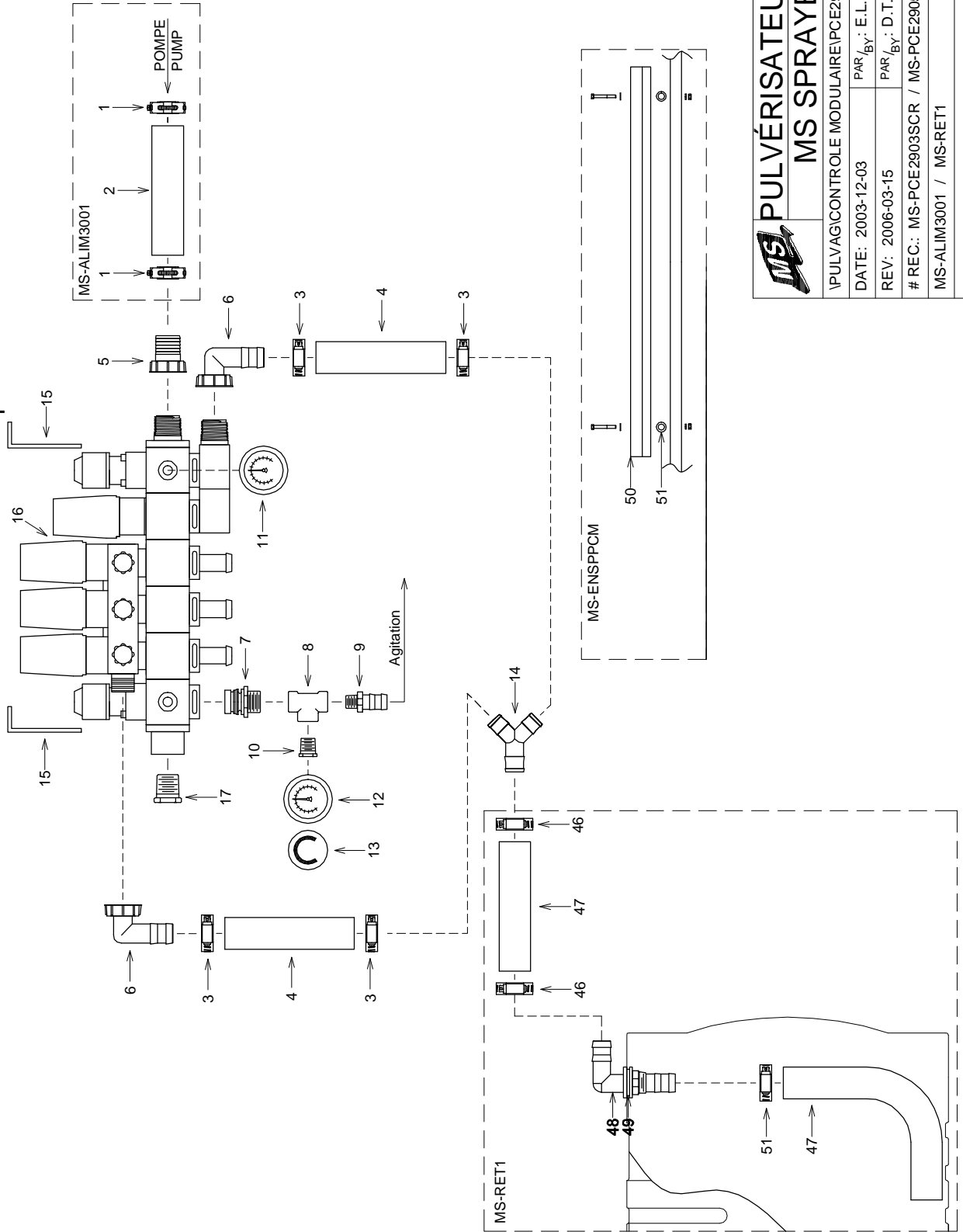




prendre pression au contrôle

| | | | |
|---|------|------------------------------|--|
|  | | PULVÉRISATEUR MS Inc. | |
| | | MS SPRAYER Inc. | |
| I/PULVAG/CONTROLE MODULAIREA3 | | | |
| DATE: 2002-07-03 | PAR/ | BY: P.B. | |
| REV: 2003-09-22 | PAR/ | BY: E.L. | #REV: |
| # REC.: MS-A3 | | | |
| MS-A5 | | | |
| | | | APP:  |

APPROUVÉ LE: 2007-03-02 13:42:39 PAR: LANDIEG

Contôle électrique 290 lb/po² cmcr
 Cmcrr elect. control 290 lb/po²



| | | |
|--|---------------------------------------|--|
|  PULVÉRISATEUR MS Inc. MS SPRAYER Inc. | PULVAG/CONTROLE MODULAIRE/PCE290CR | |
| | DATE: 2003-12-03 | PAR/By: E.L. |
| | REV: 2006-03-15 | PAR/By: D.T. |
| | # REC.: MS-PCE2903SCR / MS-PCE2905SCR | # REV: 1 |
| | MS-ALIM3001 / MS-RET1 | APP:  |



PULVÉRISATEUR MS
 Div. de RAD Technologies Inc.
 4300 rue Vachon, Drummondville QC J2B 6V4, Canada
 Tél.: 819-474-1910 Fax: 819-474-5317 sales@msspray.com

BOM

MS-PCE2903SCR

REVISION

0

Desc. Française **Contrôle électrique 3 sect. 290 lb/po²**
 English Desc. **Cmcr elect. control 3 sect. 290 lb/po²**

| Réf. | Quantité | Produit | Description française | English Description |
|------|----------|-----------------|---|--|
| 3 | 4.00 | DA-SHAS16 | Collier de serrage en acier inox. 11/16" x 1 1/2" | Stainless collar 11/16" x 1 1/2" |
| 4 | 8.00 | LV-12N | Boyau noir, 1", 150 lb/po ² , caoutchouc 2 plis uni | Black hose, 1", 150 psi, rubber smooth 2 pli |
| 5 | 1.00 | MP-1064251 | Adapt. droit 1"pfbsp x 1"hb céd.40 ny | Straight adapt. 1"fnpt x 1"hb ced.40 ny |
| 6 | 2.00 | MP-1164251 | Adapt. coudé 1"pfbsp x 1"hb céd.40 ny | Elbow adapt. 1"fnpt x 1"hb ced.40 ny |
| 7 | 1.00 | MP-463001220M | Adapt. brass vissé trou 1/2" ID 0.550" | Threaded brass adapt.1/2"hole |
| 8 | 1.00 | JB-TT12NY | Adapt. en t 1/2"fnpt x 1/2"fnpt x 1/2"fnpt céd.80 ny | T adapt. 1/2"fnpt x 1/2"fnpt x 1/2"fnpt ced.80 ny. |
| 9 | 1.00 | JB-IMB0406NY | Adapt. droit 1/2"mnpt x 3/4"hb céd.80 ny. | Straight adapt. 1/2"mnpt x 3/4"hb ced.80 ny. |
| 10 | 1.00 | JB-RB1214NY40 | Réduit 1/2"mnpt x 1/4"fnpt céd.40 ny | Reducer 1/2"mnpt x 1/4"fnpt ced.40 ny |
| 11 | 1.00 | JB-025FFBC00400 | Cadran mont. arr. 1/4"mnpt 0 à 400 lb/po ² x2 1/2"l br | Back mount gage 1/4"mnpt 0 to 400 psi x2 1/2"l br |
| 12 | 1.00 | JB-025FFBC00100 | Cadran mont. arr. 1/4"mnpt 0 à 100 lb/po ² x2 1/2"l br | Back mount gage 1/4"mnpt 0 to 100 psi x2 1/2"l br |
| 13 | 1.00 | AU-DECAGIT | Autocollant agitation | Decal agitation |
| 14 | 1.00 | MP-140002 | Adapt. en y 1"hb | Y adapt. 1"hb |
| 15 | 2.00 | MS-463473D | Attache electro-valve 463-473 décentré | Off-center 463-473 electro-valve bracket |
| 16 | 1.00 | MP-4634131S | Ens. 3 sect. 0.6 sec., régulateur, valve +/-, valve agit. | Elect.contr.3 valves 0.6sec.300 psi w/regulator |
| 17 | 1.00 | JB-VMM0008NY | Bouchon 1"mnpt céd.80 ny | Plug 1"mnpt ced.80 ny |



PULVÉRISATEUR MS
Div. de RAD Technologies Inc.
4300 rue Vachon, Drummondville QC J2B 6V4, Canada
Tél.: 819-474-1910 Fax: 819-474-5317 sales@msspray.com

BOM

MS-ALIM3001

REVISION

0

Desc. Française **Ens. d'alim. boyau 1", 300 lb/po²**

English Desc. **1" supply line 300 psi kit**

| Réf. | Quantité | Produit | Description française | English Description |
|------|----------|-----------|---|-------------------------------|
| 1 | 2.00 | AS-3740 | Collier de serrage mikalor / boyau 1" | Mikalor collar / 1" hose |
| 2 | 10.00 | LV-12N300 | Boyau noir, 1", 300 lb/po ² , 2 plis | Black hose 1", 2 ply, 300 psi |



PULVÉRISATEUR MS
Div. de RAD Technologies Inc.
4300 rue Vachon, Drummondville QC J2B 6V4, Canada
Tél.: 819-474-1910 Fax: 819-474-5317 sales@msspray.com

| | |
|-----------------|-------------------|
| BOM | MS-ENSPPCM |
| REVISION | 0 |

Desc. Française **Ens. de plaque de protection pour contrôle modulaire**
English Desc. **Protector kit for modular control**

| Réf. | Quantité | Produit | Description française | English Description |
|------|----------|-----------|---------------------------------|---------------------------|
| 50 | 1.00 | MS-PPVSR2 | Plaque protectrice valve | Valves protective guard |
| 51 | 2.00 | MS-IBSPJB | Espaceur interface premelangeur | Inductor interface spacer |



PULVÉRISATEUR MS
Div. de RAD Technologies Inc.
4300 rue Vachon, Drummondville QC J2B 6V4, Canada
Tél.: 819-474-1910 Fax: 819-474-5317 sales@msspray.com

BOM

MS-A3

REVISION

0

Desc. Française **Contrôle arag 3 sections avec câble**

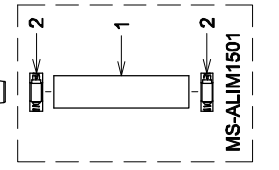
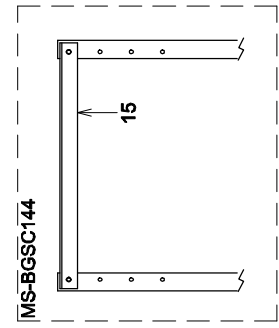
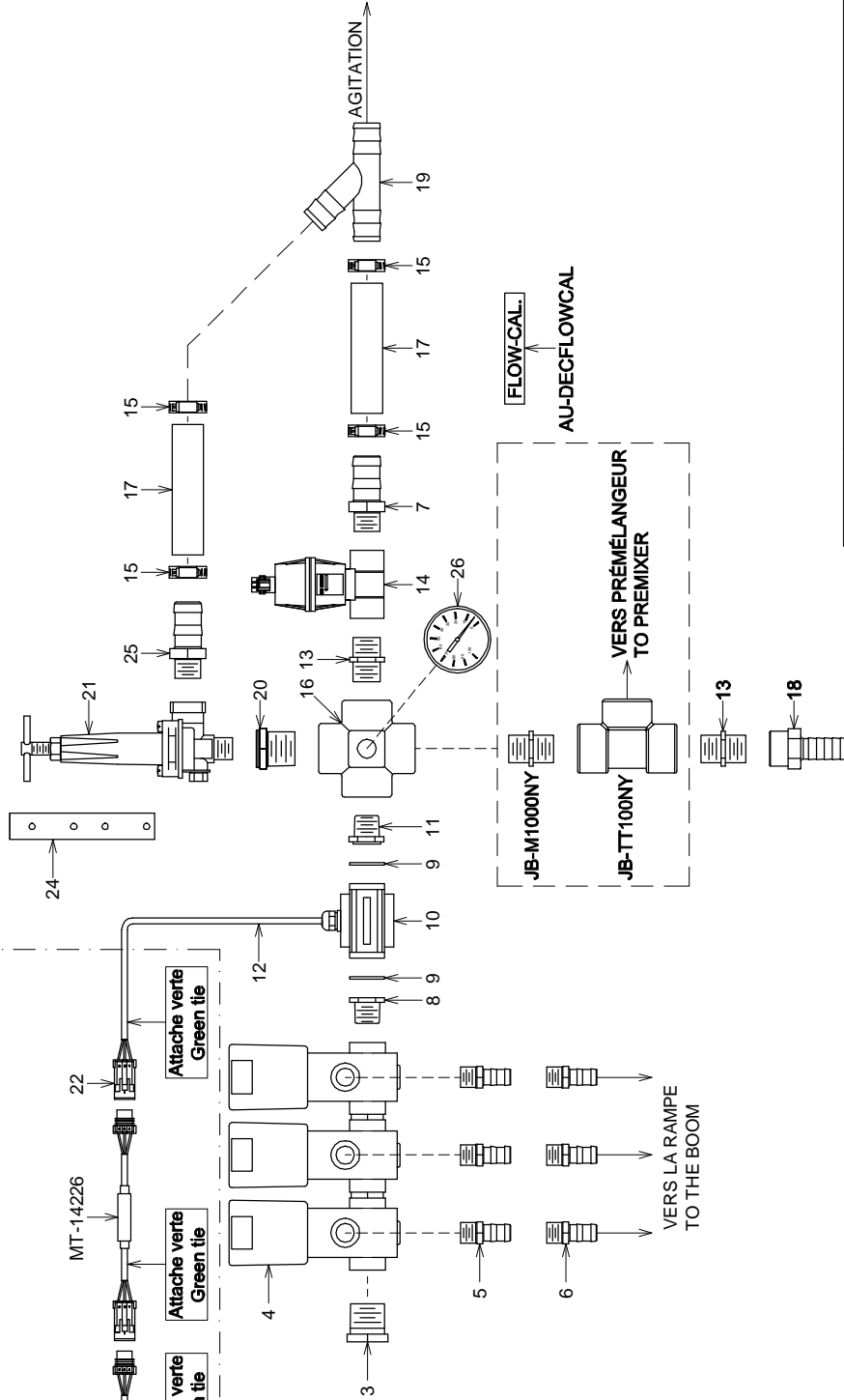
English Desc. **3 sections arag control with cable**

| Réf. | Quantité | Produit | Description française | English Description |
|------|----------|----------------|--|--|
| 1 | 1.00 | MP-4662530P300 | Ens. console, cable, cadran arag 3sections | Console, cable, gage 3 sections arag kit |
| 5 | 1.00 | MP-466530230 | Extension de 5 mètres pour cea3 | Wiring harness for cea3 |

Ens. de 3 valves solen. 144 avec lect. GFN750 3 144 selen. kit with magn. GFN750 flow meter

#22 Lecteur de débit électro-magnétique
#22 Electro-magnetic flow meter
A Jaune-vert / Yellow-green
B Brun / Brown
C Bleu / Blue

#22 Lecteur de débit à turbine
#22 Turbine flow meter
A Vert / Green
B Brun / Brown
C Blanc / White



| | |
|--|----------------|
| | |
| PULVÉRISATEUR MS Inc. MS SPRAYER Inc. | |
| PULVAG\CONTROLE MODULAIRE\A6 | |
| DATE: 2003-11-27 | PAR / By: G.L. |
| REV: 2007-09-06 | PAR / By: D.T. |
| # REC.: MS-A6 | #REV: 1 |
| MS-ALIM1501 | |
| APP: | |



PULVERISATEUR MS / MS SPRAYER
 Div. de/of RAD Technologies Inc.
 4300 Vachon, Drummondville QC J2B 6V4, Canada
 Tel.: 819-474-1910 Fax: 819-474-5317 sales@msspray.com

| | |
|-----------------|--------------|
| BOM | MS-A6 |
| REVISION | 3 |

Description Française **Ens. de 3 valves solen., lect. turbine pompe membrane**
 English Description **3 144 selen. kit with magn. gfn750 flow meter**

| <u>Ref.</u> | <u>Q</u> | <u>Prd</u> | <u>Ref.</u> | <u>Q</u> | <u>Prd</u> | <u>Ref.</u> | <u>Q</u> | <u>Prd</u> |
|-------------|----------|-----------------|-------------|----------|------------|-------------|----------|------------|
| 3 | 1.00 | JB-VMM0006NY | | | | | | |
| 4 | 1.00 | JB-AA144P3 | | | | | | |
| 5 | 3.00 | JB-IMB0406BR | | | | | | |
| 6 | 3.00 | JB-IMB0404BR | | | | | | |
| 7 | 1.00 | JB-IMB0808NY | | | | | | |
| 8 | 1.00 | MP-463000130 | | | | | | |
| 9 | 2.00 | MP-G10071V | | | | | | |
| 10 | 1.00 | MP-46264A0 | | | | | | |
| 11 | 1.00 | MP-463000040 | | | | | | |
| 12 | 1.00 | MS-4623711010 | | | | | | |
| 13 | 2.00 | JB-M1000NY40 | | | | | | |
| 14 | 1.00 | MT-19093 | | | | | | |
| 15 | 4.00 | DA-SHAS16 | | | | | | |
| 16 | 1.00 | MS-CR10014NPT | | | | | | |
| 17 | 4.00 | LV-12N | | | | | | |
| 18 | 1.00 | MP-1064251 | | | | | | |
| 19 | 1.00 | MP-140002 | | | | | | |
| 20 | 1.00 | JB-RB10034NY | | | | | | |
| 21 | 1.00 | MS-846034300 | | | | | | |
| 24 | 1.00 | MS-RAASBHD | | | | | | |
| 25 | 1.00 | JB-IMB0608BR | | | | | | |
| 26 | 1.00 | JB-025FFBC00160 | | | | | | |



PULVERISATEUR MS / MS SPRAYER
Div. de/of RAD Technologies Inc.
4300 Vachon, Drummondville QC J2B 6V4, Canada
Tel.: 819-474-1910 Fax: 819-474-5317 sales@msspray.com

| | |
|-----------------|--------------------|
| BOM | MS-ALIM1501 |
| REVISION | 0 |

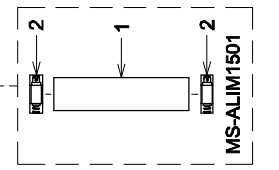
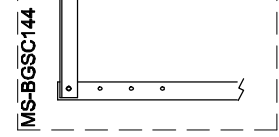
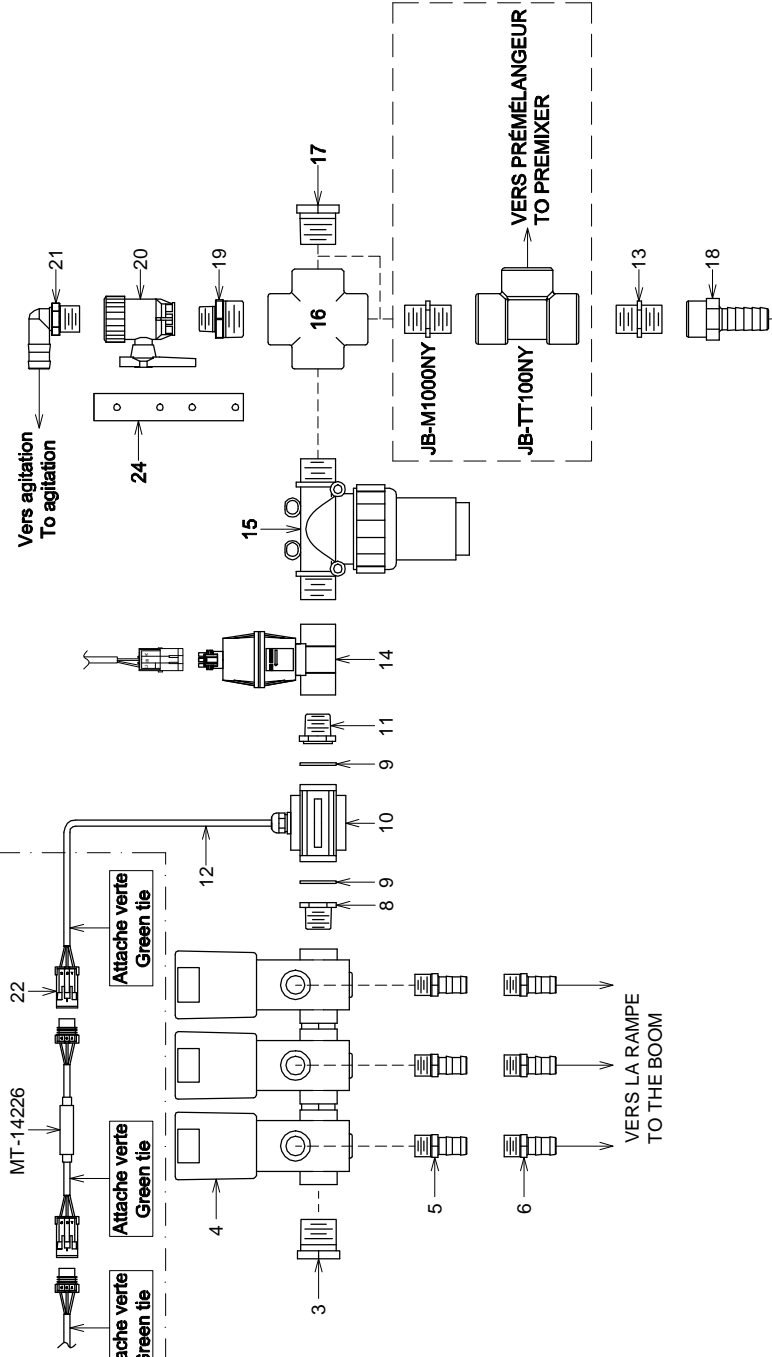
Description Française **Ens. d'alim. boyau 1", 150 lb/po²**
English Description **1" supply line 150 psi kit**

| <u>Ref.</u> | <u>Q</u> | <u>Prd</u> | <u>Ref.</u> | <u>Q</u> | <u>Prd</u> | <u>Ref.</u> | <u>Q</u> | <u>Prd</u> |
|-------------|----------|------------|-------------|----------|------------|-------------|----------|------------|
| 1 | 10.00 | LV-12N | | | | | | |
| 2 | 2.00 | DA-SHAS16 | | | | | | |

Ens. de 3 valves solen. 144 avec lect. GFN750 3 144 selen. kit with magn. GFN750 flow meter

#22 Lecteur de débit électro-magnétique
#22 Electro-magnetic flow meter
A Jaune-vert / Yellow-green
B Brun / Brown
C Bleu / Blue

#22 Lecteur de débit à turbine
#22 Turbine flow meter
A Vert / Green
B Brun / Brown
C Blanc / White



| | | | |
|------------------------------|----------------|------------------------------|-------------------------|
| MS | | PULVÉRISATEUR MS Inc. | |
| | | MS SPRAYER Inc. | |
| PULVAG\CONTROLE MODULAIREA6C | | | |
| DATE: 2002-11-20 | PAR / By: P.B. | | |
| REV: 2007-09-06 | PAR / By: D.T. | #REV: 1 | |
| # REC.: MS-A6C | | MS-F1 / MS-ALIM1501 | |
| | | | APP: <i>[Signature]</i> |



PULVÉRISATEUR MS
 Div. de RAD Technologies Inc.
 4300 rue Vachon, Drummondville QC J2B 6V4, Canada
 Tél.: 819-474-1910 Fax: 819-474-5317 sales@msspray.com

BOM

MS-A6C

REVISION

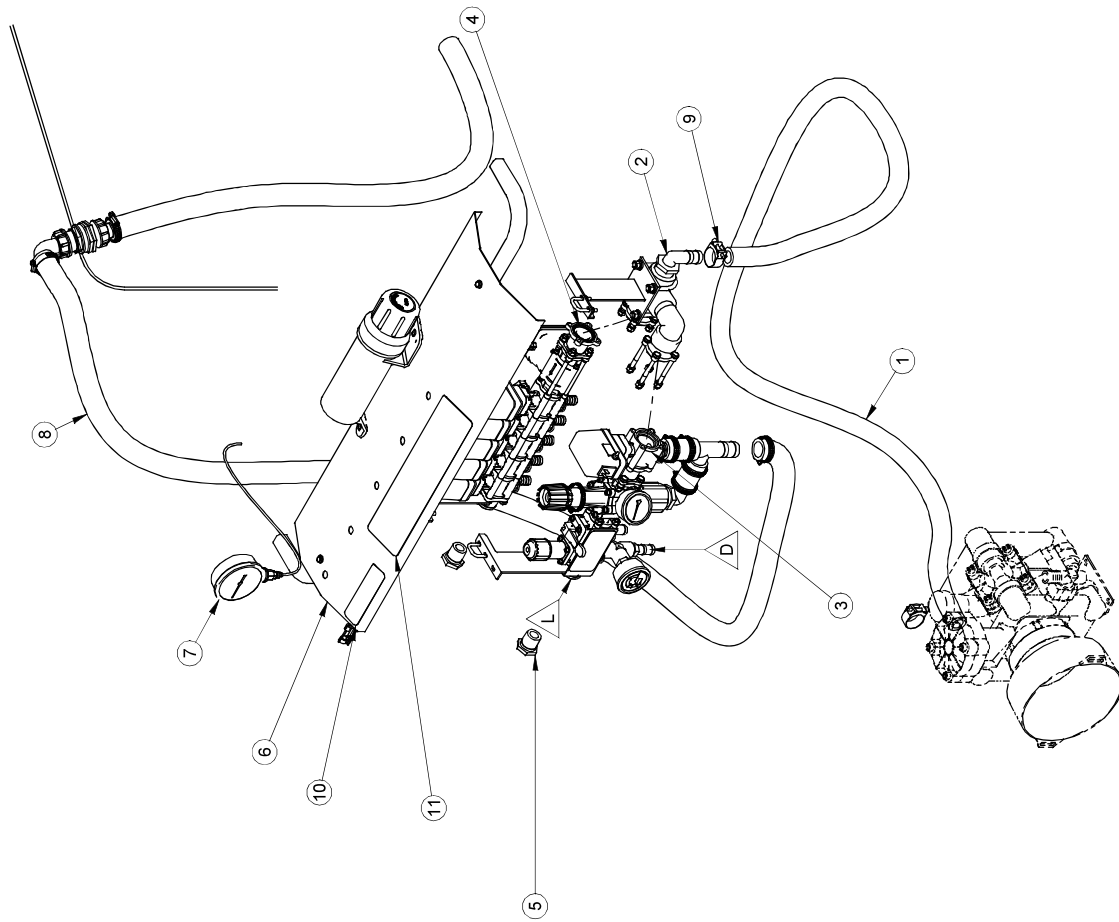
3

Desc. Française **Ens. de 3 valves solen., lect. turbine pompe centrifuge**
 English Desc. **3 144 selen. kit with turbin flow meter**

| Réf. | Quantité | Produit | Description française | English Description |
|------|----------|---------------|---|---|
| 3 | 1.00 | JB-VMM0006NY | Bouchon 3/4"mnpt céd.80 ny | Plug 3/4"mnpt ced.80 ny |
| 4 | 1.00 | JB-AA144P3 | Valve (3) solénoïde 2v 3/4"fnpt 100 lb/po2 12vcc | Solenoid valve (3) 2v 3/4"fnpt 100 psi 12vdc |
| 5 | 3.00 | JB-IMB0406BR | Adapt. droit 1/2"mnpt x 3/4"hb céd.40 br. | Straight adapt. 1/2" x 3/4"hb ced.40 br. |
| 6 | 3.00 | JB-IMB0404BR | Adapt. droit 1/2"mnpt x 1/2"hb céd.40 br. | Straight adapt. 1/2"mnpt x 1/2"hb ced.40 br. |
| 8 | 1.00 | MP-463000130 | Adapt. flange femele x 3/4"mBSP ny. | Adapt. 3/4"mbsp ny. |
| 9 | 2.00 | MP-G10071V | Joint torique de valve série 463*** | O-ring viton*** |
| 10 | 1.00 | MP-46264A0 | Lecteur de débit à palette 10 à 200 l/min, 725 psi | ARAG paddle flow meter, 2.6 to 52 gpm ,725psi |
| 11 | 1.00 | MP-463000040 | Adapt. flange male x 1"bsp male ny | Theaded adapt. male flange x 1"bsp male ny |
| 12 | 1.00 | MS-4623711010 | Câble de lecteur de débit électro-magnétique assemblé | Cable for electro-magnetic flometer assembly |
| 13 | 1.00 | JB-M1000NY40 | Mamelon court 1"mnpt x 1"mnpt céd.40 ny | Close nipple 1"mnpt x 1"mnpt ced.40 ny |
| 14 | 1.00 | MT-19093 | Servo valve 1" 150 lb/po2 / fil*** 6/12 vcc | Servo valve 1" 150psi / wire*** 6/12 vdc |
| 15 | 1.00 | AU-8110009 | Filtreur 1" mbsp x 1" mbsp, 290 lbs/po2, 50 mailles | Strainer 1" mbsp x 1" mbsp, 290 psi, 50 mesh |
| 16 | 1.00 | BJ-CR100 | Croix 1"fnpt céd.80 ny | Cross 1"fnpt ced.80 ny |
| 17 | 1.00 | JB-VMM0008NY | Bouchon 1"mnpt céd.80 ny | Plug 1"mnpt ced.80 ny |
| 18 | 1.00 | MP-1064251 | Adapt. droit 1"pfbps x 1"hb céd.40 ny | Straight adapt. 1"fnpt x 1"hb ced.40 ny |
| 19 | 1.00 | BJ-RN100075 | Mamelon réducteur 1"mnpt x 3/4"mnpt céd.80 ny | Nipple red. 1"mnpt x 3/4"mnpt ced.80 ny |
| 20 | 1.00 | MP-S301250PP | Valve à bille 2v 3/4"fnpt ny, joint EPDM | Ball valve 2v 3/4"fnpt ny, EPDM seal |
| 21 | 1.00 | JB-EL3434NY | Adapt. coudé 3/4"mnpt x 3/4"hb céd.80 ny | Elbow adapt. 3/4"mnpt x 3/4"hb ced.80 ny |
| 22 | 1.00 | MT-13232F | Ens.connecteur femele 3 pins m/p | Connector female kit 3 pins m/p |
| 24 | 1.00 | MS-RAASBHD | Sup, boyau hyd. double raa | Air assisted boom double hyd. hose brace |

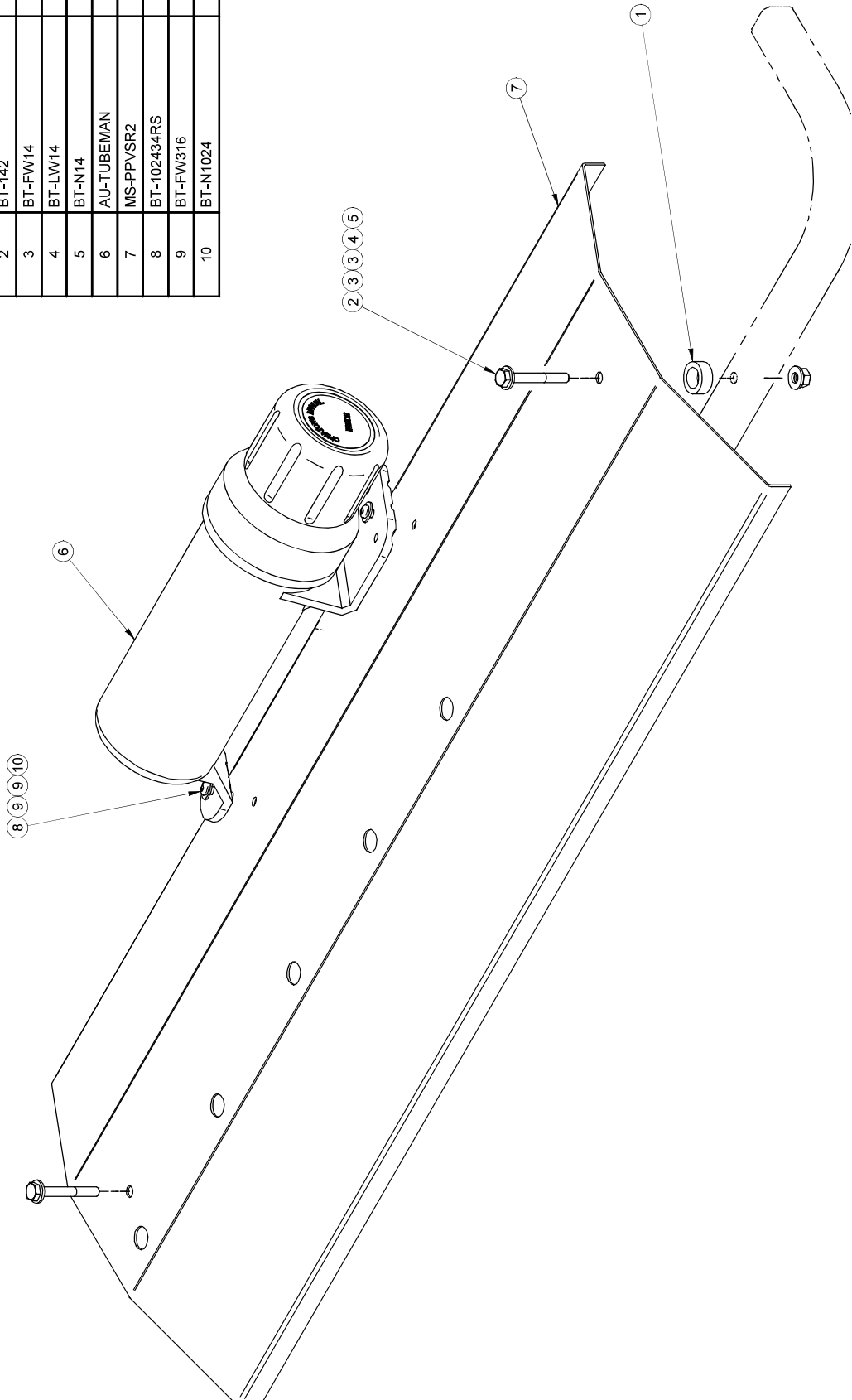
| # | Ref. | Q. | " |
|----|-----------|----|--------|
| 12 | LV-12N300 | 1 | (101") |

| # | Ref. | Q. |
|----|-------------------|----|
| 1 | LV-12N300 | 1 |
| 2 | MS-1R1 | 1 |
| 3 | MS-473SVR... | 1 |
| 4 | MS-473463LD...SST | 1 |
| 5 | JB-VMM0008NY | 2 |
| 6 | MS-ENSPPCMR1 | 1 |
| 7 | MS-CAD4RR1 | 1 |
| 8 | MS-RET114R1 | 1 |
| 9 | AS-3740 | 2 |
| 10 | AU-DECPRPULV | 1 |
| 11 | AU-DECCONT2 | 1 |



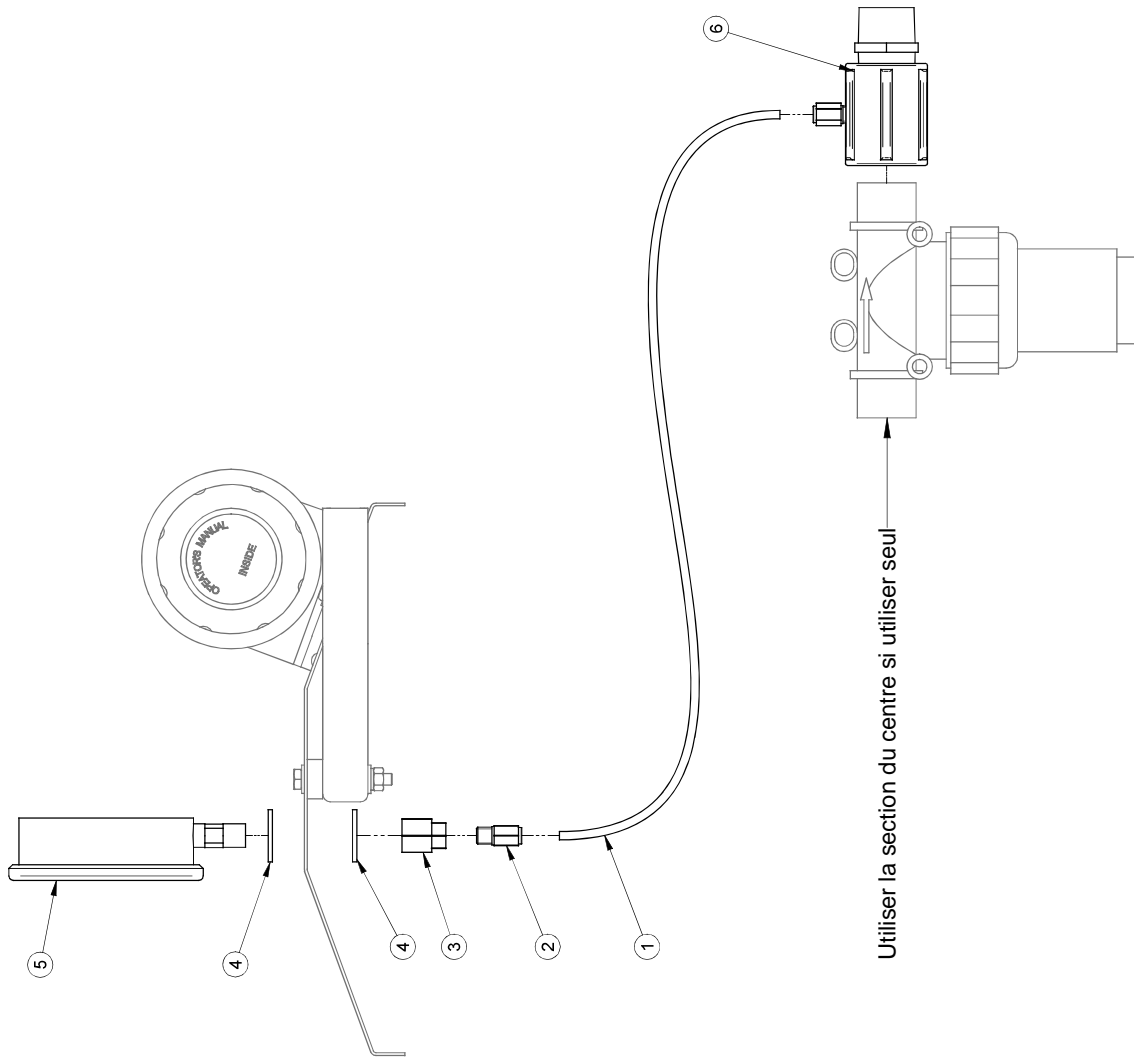
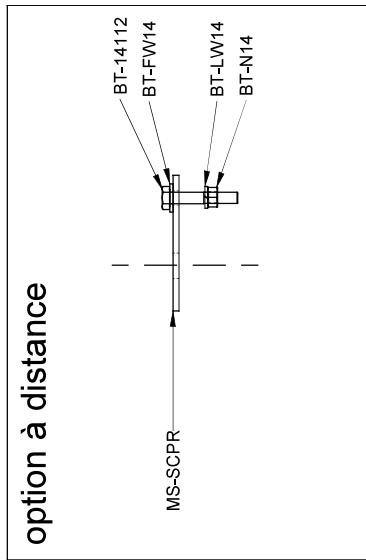
| | | |
|----------------------|-----------------|--------|
| 2007/02/08 | MS-CMM_R1R3.asm | Pg:1-1 |
| MS-CMMLDM5SAR1R3.dft | Rev. 0 | Feuil1 |

| # | Ref. | Q. |
|----|-------------|----|
| 1 | MS-IBSPJB | 2 |
| 2 | BT-142 | 2 |
| 3 | BT-FW14 | 4 |
| 4 | BT-LW14 | 2 |
| 5 | BT-N14 | 2 |
| 6 | AU-TUBEMAN | 1 |
| 7 | MS-PPVSR2 | 1 |
| 8 | BT-102434RS | 2 |
| 9 | BT-FW316 | 4 |
| 10 | BT-N1024 | 2 |



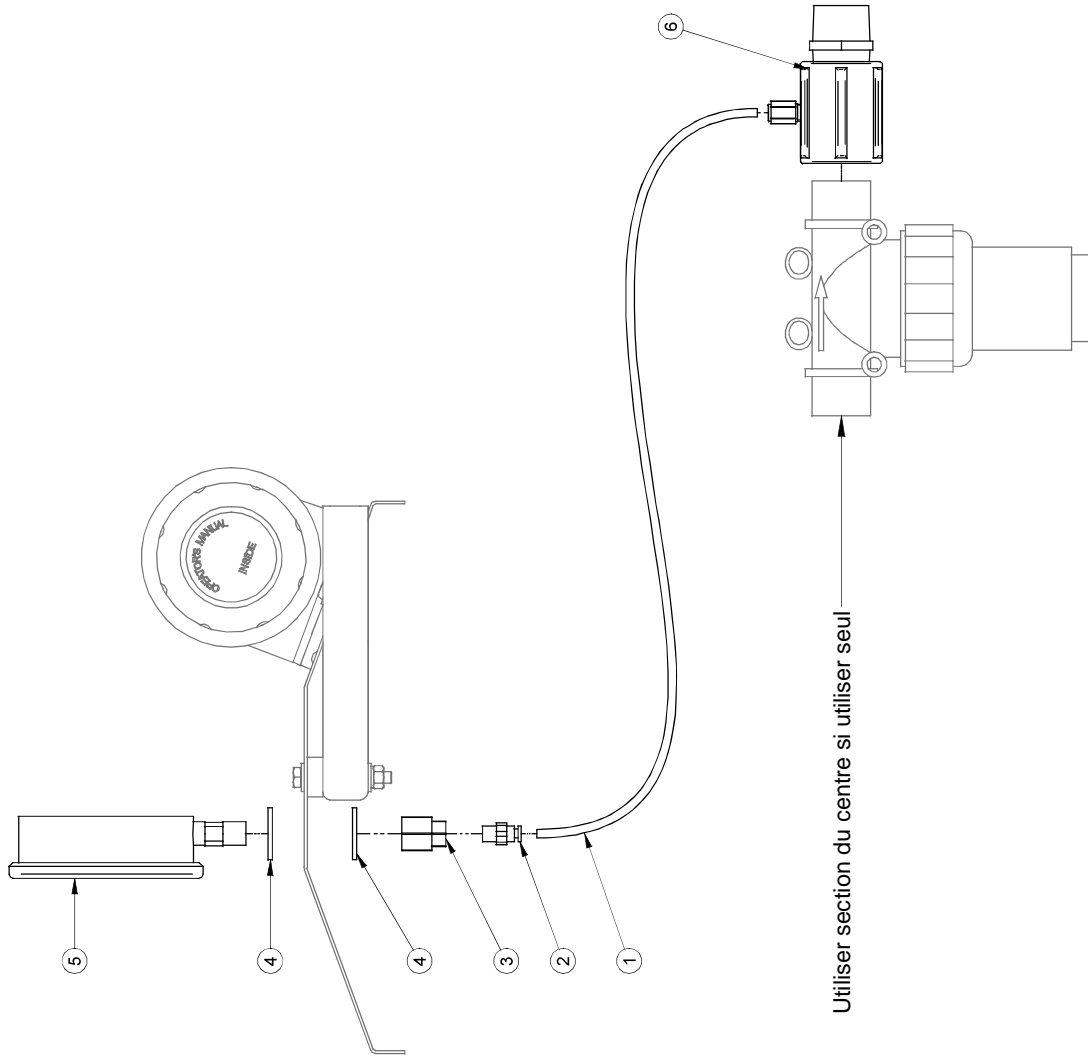
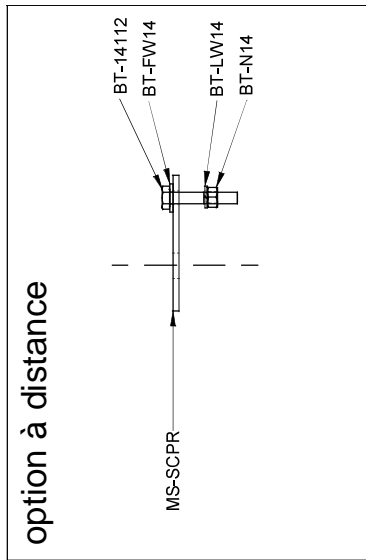
| | | | |
|------------|------------------|--------|---------|
| 2007/01/05 | MS-ENSPPCMR1.asm | Rev. 0 | Pg:1-1 |
| | MS-ENSPPCMR1.dft | | Feuil 1 |

| # | Ref. | Q. | " |
|---|-----------------|----|-------|
| 1 | AU-33TNHN | 1 | 360 " |
| 2 | AU-D70683A | 1 | |
| 3 | AU-119BA | 1 | |
| 4 | BT-FW916 | 2 | |
| 5 | JB-025FF002004G | 1 | |
| 6 | MS-AMF080802NY | 1 | |



Utiliser la section du centre si utiliser seul

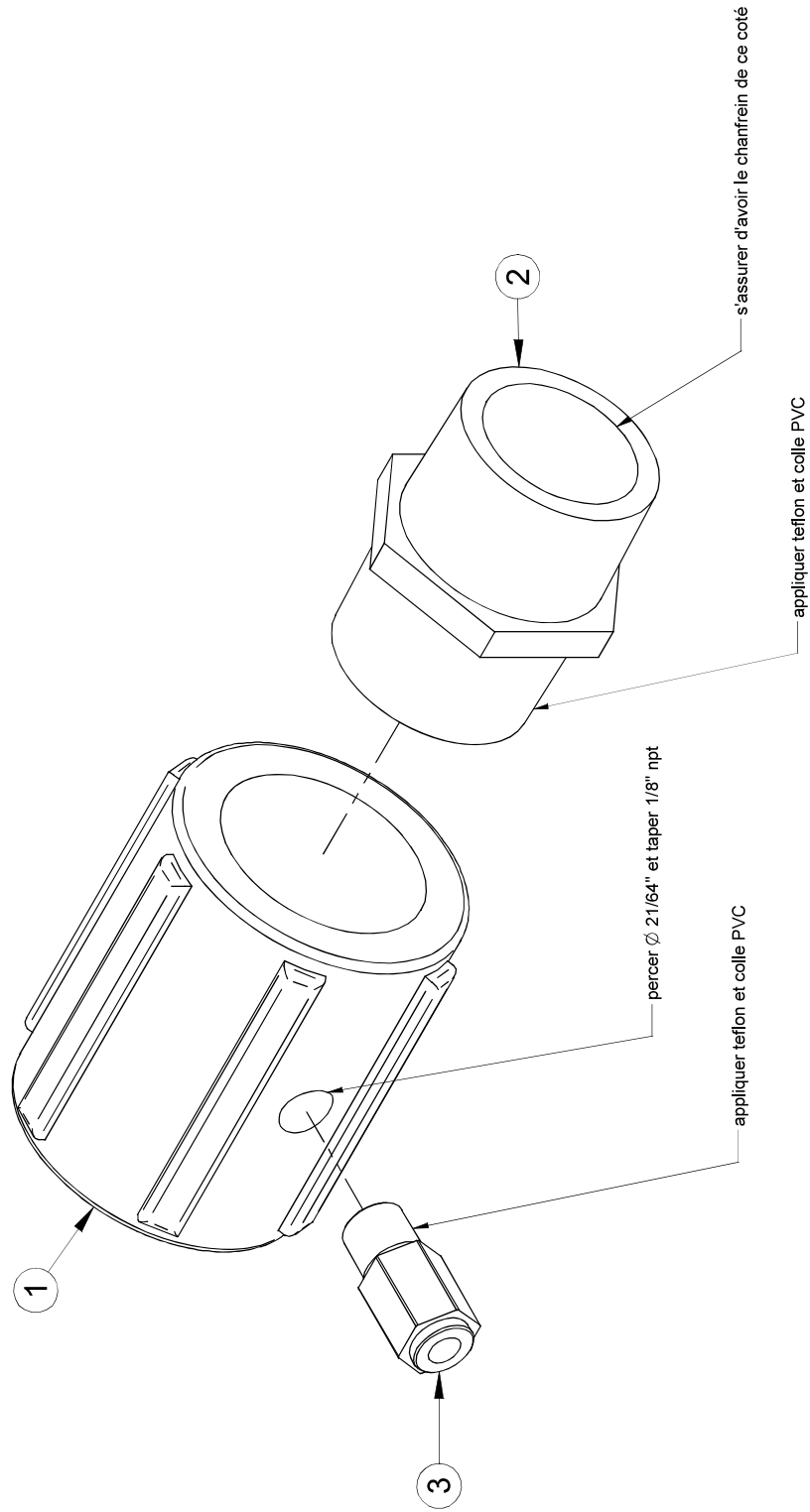
| # | Ref. | Q. | " |
|---|-----------------|----|-------|
| 1 | AU-33TNHN | 1 | 360 " |
| 2 | MP-466350070 | 1 | |
| 3 | AU-119BA | 1 | |
| 4 | BT-FW916 | 2 | |
| 5 | JB-025FF003004G | 1 | |
| 6 | MS-AMF080802NY | 1 | |



Utiliser section du centre si utiliser seul

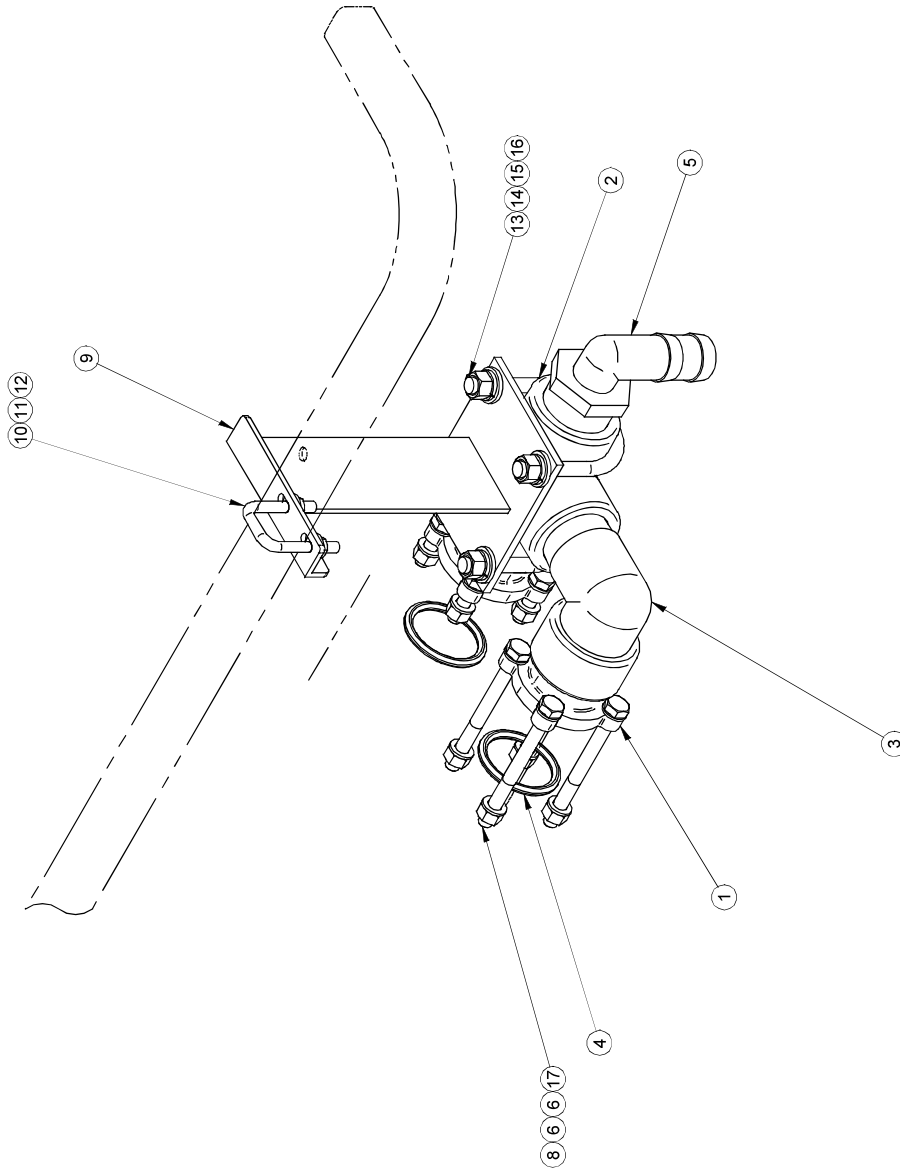
| | | | |
|------------|----------------|--------|-----------|
| 2008/02/08 | MS-CAD4RR2.asm | Rev. 0 | Pg:1-1 |
| | MS-CAD4RR2.dft | | Explose 1 |

| # | Ref. | Q. |
|---|-------------|----|
| 1 | JB-FC1000NY | 1 |
| 2 | MP-2502040 | 1 |
| 3 | AU-D70683A | 1 |

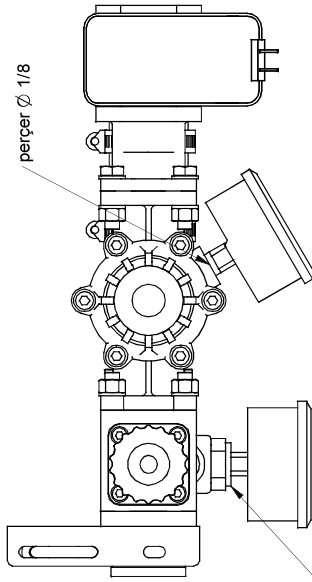


| | | | |
|--------------------|--------------------|--------|-----------|
| 2007/08/02 | MS-AMF080802NY.asm | Rev. 0 | Pg:1-1 |
| MS-AMF080802NY.dft | | | Explose 1 |

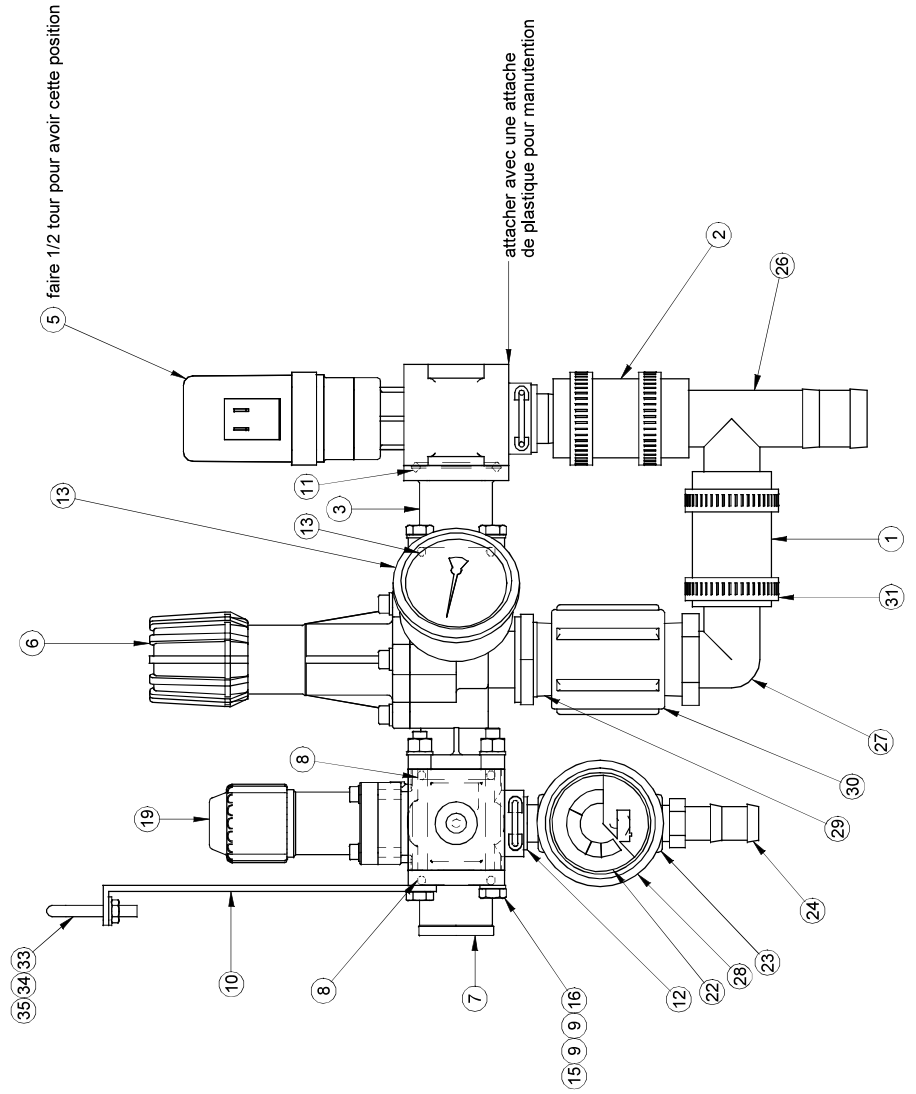
| # | Ref. | Q. |
|----|---------------|----|
| 1 | MP-473000051 | 2 |
| 2 | JB-TT114NY | 1 |
| 3 | JB-SE114NY | 1 |
| 4 | MP-454236080V | 2 |
| 5 | JB-EL1141NY | 1 |
| 6 | SN-657802 | 16 |
| 7* | BT-M830SS | 4 |
| 8 | BT-LNM8 | 8 |
| 9 | MS-463T | 1 |
| 10 | AU-UB141134 | 1 |
| 11 | BT-FW14 | 2 |
| 12 | BT-LN14 | 2 |
| 13 | AU-UBR382143 | 2 |
| 14 | BT-LW38 | 4 |
| 15 | BT-N38 | 4 |
| 16 | BT-FW38 | 4 |
| 17 | BT-M890 | 4 |



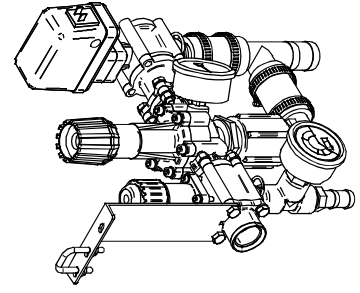
| # | Ref. | Q. | " |
|---|----------|----|----|
| 1 | LV-1142N | 1 | 3" |
| 2 | LV-1142N | 1 | 3" |



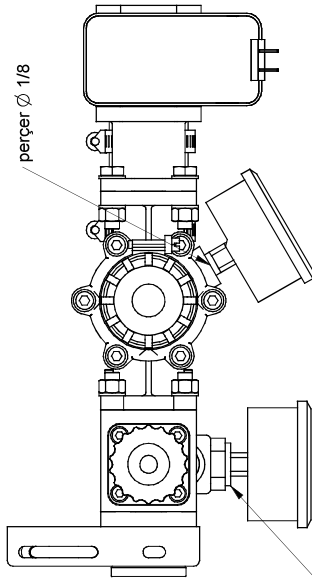
| # | Ref. | Q. |
|----|---------|----|
| 34 | BT-FW14 | 2 |
| 35 | BT-LN14 | 2 |



| # | Ref. | Q. |
|-----|-----------------|----|
| 1 | LV-1142N | 1 |
| 2 | LV-1142N | 1 |
| 3 | MP-473000110 | 1 |
| 5 | MP-473020S | 1 |
| 6 | MP-465522 | 1 |
| 7 | MP-463000143 | 1 |
| 8 | MP-G10071V | 3 |
| 9 | SN-657802 | 14 |
| 10 | MS-463473D | 1 |
| 11 | MP-454236080V | 1 |
| 12 | MP-463001220M | 1 |
| 13 | JB-025FFBC00400 | 1 |
| 14* | BT-M830 | 4 |
| 15 | BT-LNM8 | 8 |
| 16 | BT-M890 | 4 |
| 19 | MP-463070 | 1 |
| 22 | AU-DECAGIT | 1 |
| 23 | JB-TT12NY | 1 |
| 24 | JB-IMB0406NY | 1 |
| 25 | JB-RB1214NY40 | 1 |
| 26 | JB-T114NY40 | 1 |
| 27 | JB-EL114NY | 1 |
| 28 | JB-025FFBC00100 | 1 |
| 29 | JB-RB1141ny | 1 |
| 30 | JB-FC114NY | 1 |
| 31 | DA-HS24 | 4 |
| 33 | AU-UB141134 | 1 |

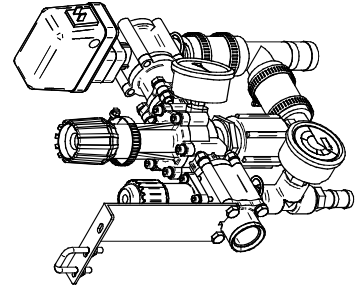
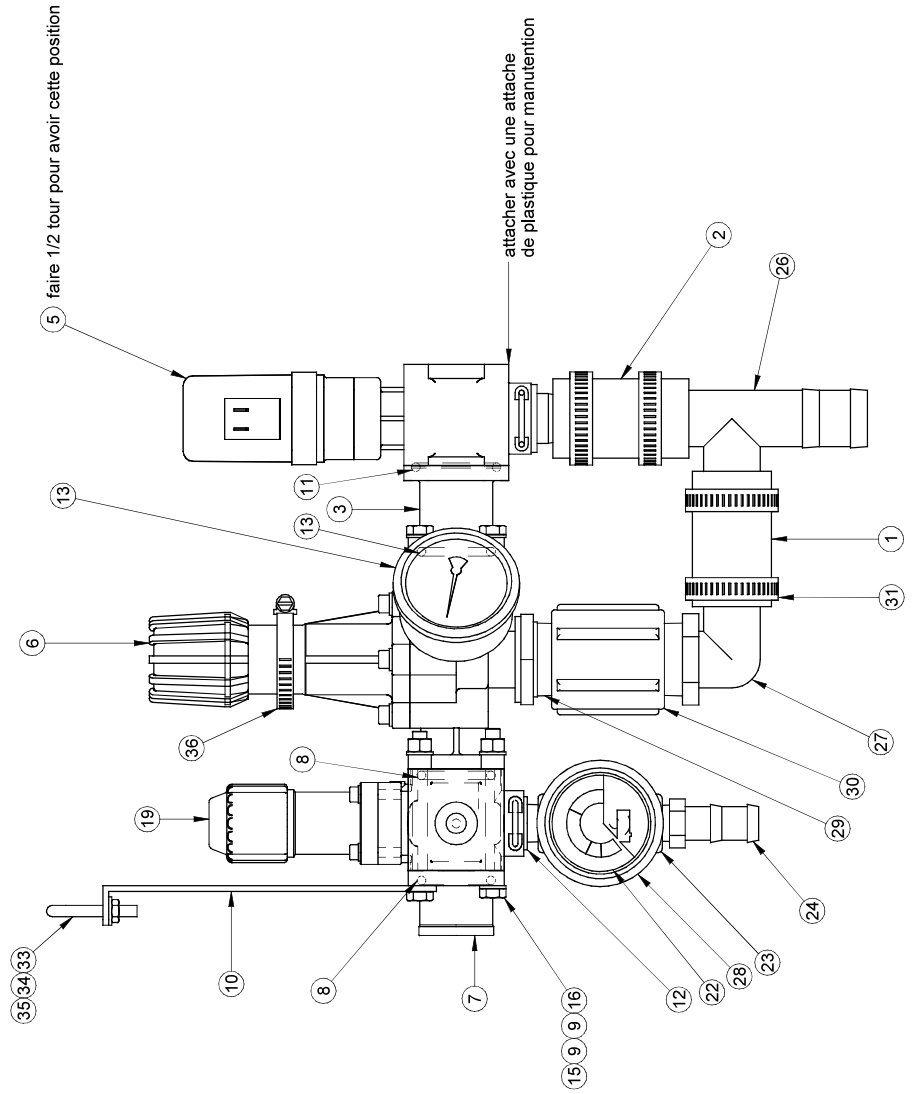


| # | Ref. | Q. | " |
|---|----------|----|----|
| 1 | LV-1142N | 1 | 3" |
| 2 | LV-1142N | 1 | 3" |

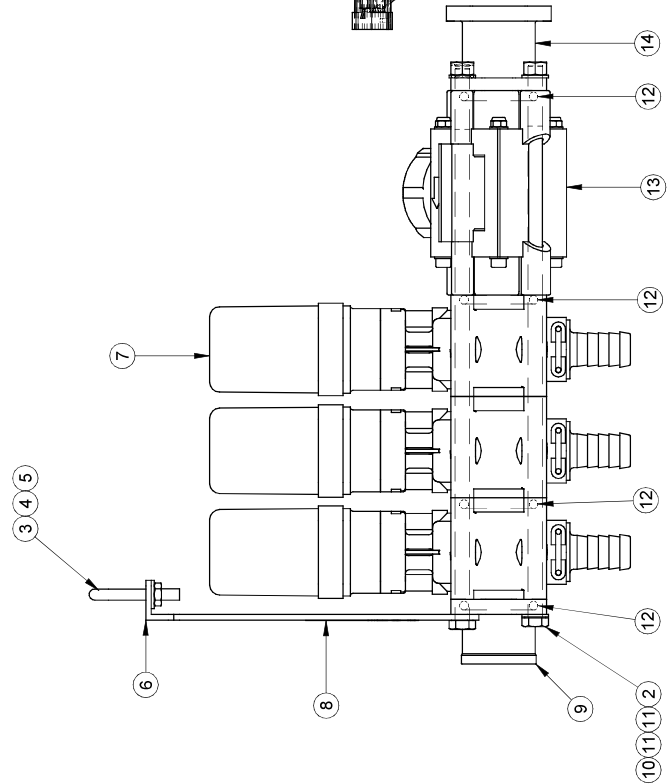
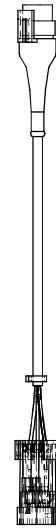
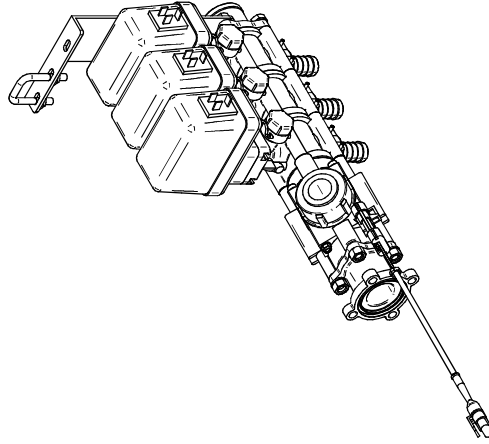
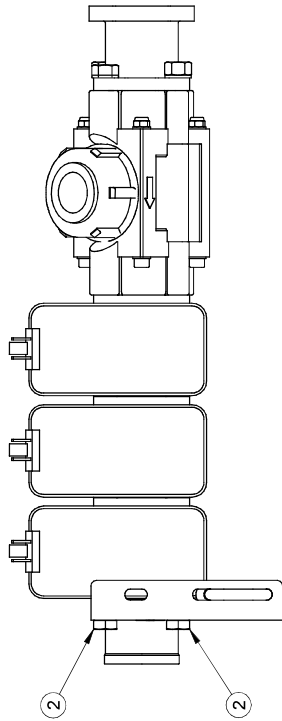
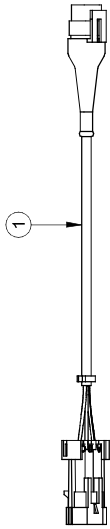


| # | Ref. | Q. |
|-----|-----------|----|
| 35 | BT-LN14 | 2 |
| 36* | AU-235002 | 1 |

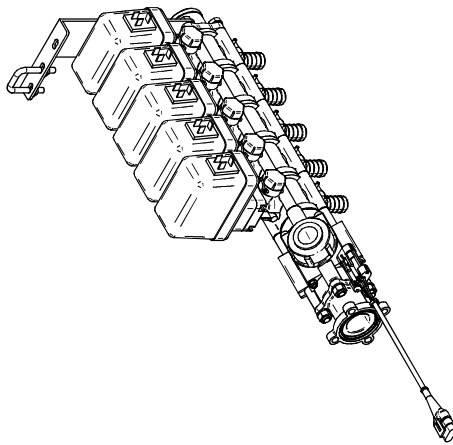
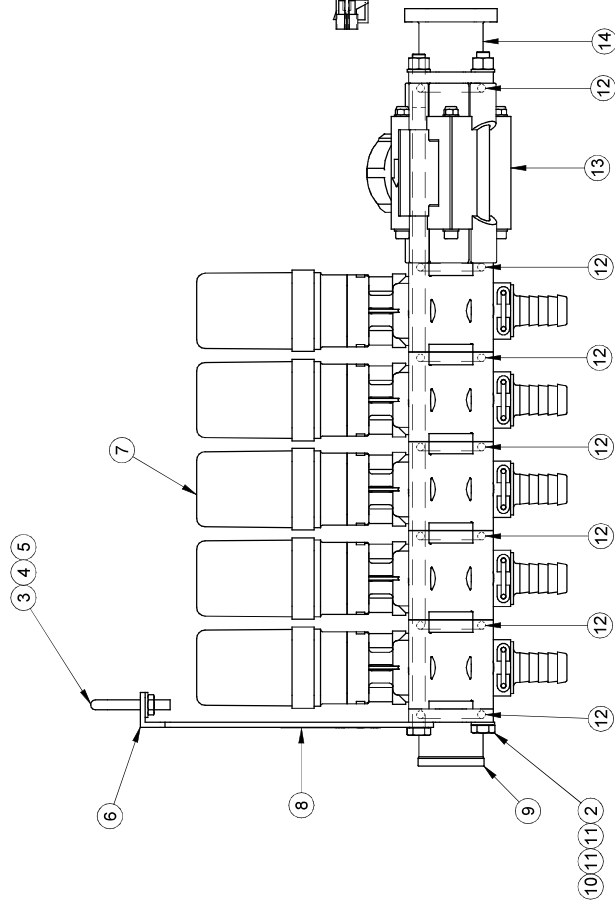
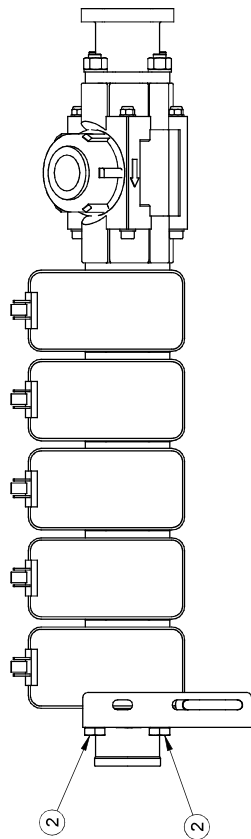
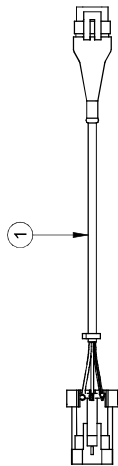
| # | Ref. | Q. |
|-----|-----------------|----|
| 1 | LV-1142N | 1 |
| 2 | LV-1142N | 1 |
| 3 | MP-473000110 | 1 |
| 5 | MP-473020S | 1 |
| 6 | MP-465522 | 1 |
| 7 | MP-463000143 | 1 |
| 8 | MP-G10071V | 3 |
| 9 | SN-657802 | 14 |
| 10 | MS-463473D | 1 |
| 11 | MP-454236080V | 1 |
| 12 | MP-463001220M | 1 |
| 13 | JB-025FFBC00400 | 1 |
| 14* | BT-M830 | 4 |
| 15 | BT-LNIM8 | 8 |
| 16 | BT-M890 | 4 |
| 19 | MP-463070 | 1 |
| 22 | AU-DECAGIT | 1 |
| 23 | JB-TT12NY | 1 |
| 24 | JB-IMB0406NY | 1 |
| 25 | JB-RB1214NY40 | 1 |
| 26 | JB-T114NY40 | 1 |
| 27 | JB-EL114NY | 1 |
| 28 | JB-025FFBC00100 | 1 |
| 29 | JB-RB1141ny | 1 |
| 30 | JB-FC114NY | 1 |
| 31 | DA-HS24 | 4 |
| 33 | AU-UB141134 | 1 |
| 34 | BT-FW14 | 2 |



| # | Ref. | Q. |
|----|---------------|----|
| 1 | MS-4623711010 | 1 |
| 2 | MP-463900951 | 4 |
| 3 | AU-UB141134 | 1 |
| 4 | BT-FW14 | 2 |
| 5 | BT-LN14 | 2 |
| 6 | MS-463473D | 1 |
| 7 | MP-4630112ST | 3 |
| 8 | AU-DECFLOWCAL | 1 |
| 9 | MP-463000143 | 1 |
| 10 | BT-LNM8 | 4 |
| 11 | SN-657802 | 6 |
| 12 | MP-G10071V | 5 |
| 13 | MP-46264A0 | 1 |
| 14 | MP-473000110 | 1 |



NOTES:
 1- LES VALEURS SONT EN POUCE SAUF SI SPÉCIFIÉ
 1- VALUES ARE INCHES UNLESS SPECIFIED

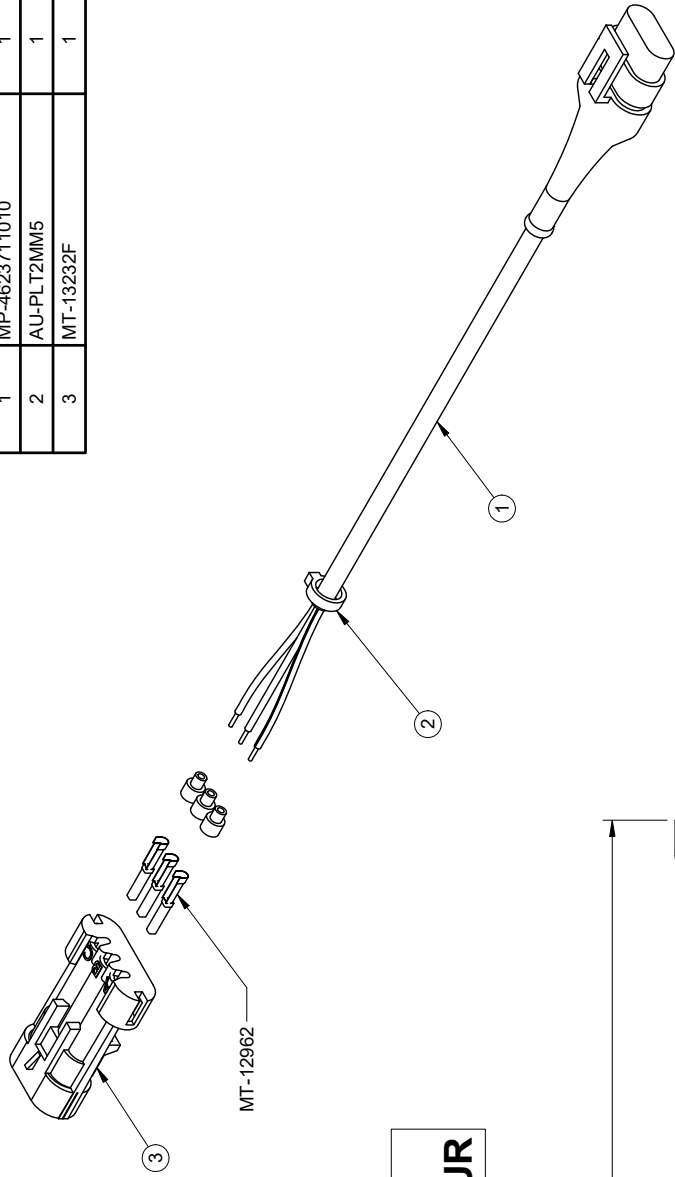


| # | Ref. | Q. |
|----|---------------|----|
| 1 | MS-4623711010 | 1 |
| 2 | MP-463900971 | 4 |
| 3 | AU-UB141134 | 1 |
| 4 | BT-FW14 | 2 |
| 5 | BT-LN14 | 2 |
| 6 | MS-463473D | 1 |
| 7 | MP-4630112ST | 5 |
| 8 | AU-DECFLOWCAL | 1 |
| 9 | MP-46300143 | 1 |
| 10 | BT-LNM8 | 4 |
| 11 | SN-657802 | 6 |
| 12 | MP-G10071V | 7 |
| 13 | MP-46264A0 | 1 |
| 14 | MP-473000110 | 1 |

| | | | | | | | | | | | |
|-------------------|------------|---|------------------|---|---------------------|---------------|------------|--------------------|---------|------|----------|
| REVISION ECO # | - | DESCRIPTION DE LA RÉVISION / REVISION DESCRIPTION | Enlève MT-13232F | # FEUILLE / SHEET # | MS-473463LDT5SST | DATE CREATION | 2005/04/27 | CRÉATEUR / CREATOR | lanoieg | PAGE | 1 of 1 |
| REVISION PAR / BY | trudelj | | | DESCRIPTION | MS-473463LDT5SST | | | | | | |
| REVISION DATE | 2012/09/04 | | | NOTICE: Information disclosed herein is the property of RAD TECHNOLOGIES INC. and is intended for use only for the specific application and configuration for which it was designed. No part of this information may be reproduced, stored in a retrieval system, or transmitted, in any form or by any means, without the prior written permission of RAD TECHNOLOGIES INC. All rights reserved. | #DESSIN / DRAWING # | | | | | | REVISION |
| | | | | | MS-473463LDT5SST | | | | | | 2 |

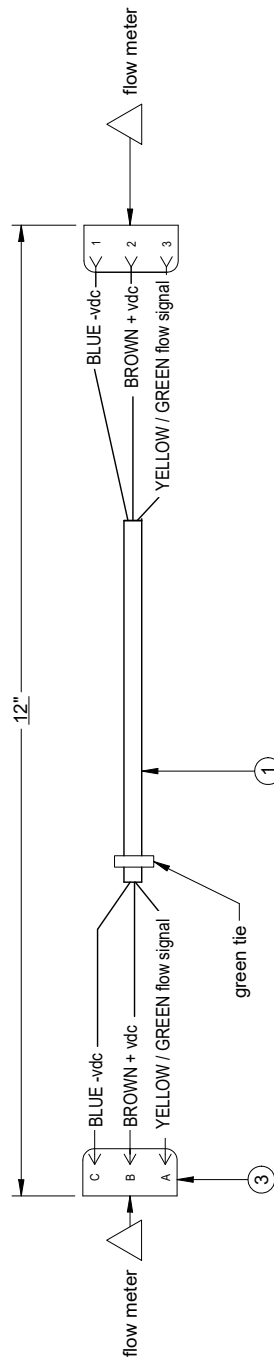


| # | Ref. | Q. |
|---|---------------|----|
| 1 | MP-4623711010 | 1 |
| 2 | AU-PLT2MM5 | 1 |
| 3 | MT-13232F | 1 |

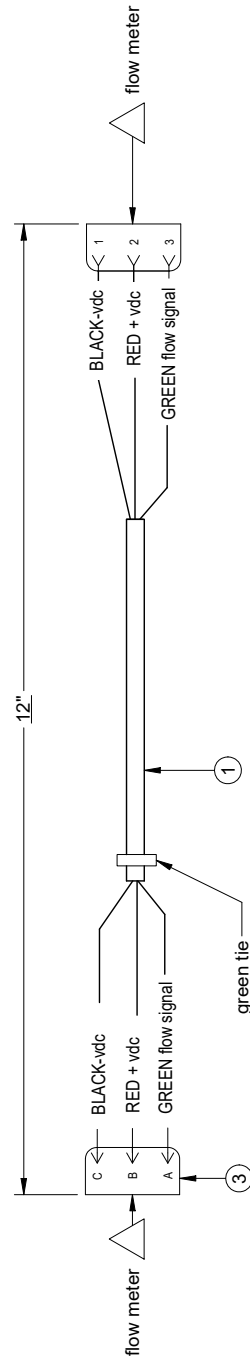


**COULEUR DES FILS
SELON LE FOURNISSEUR**

FOURNISSEUR 1



FOURNISSEUR 2

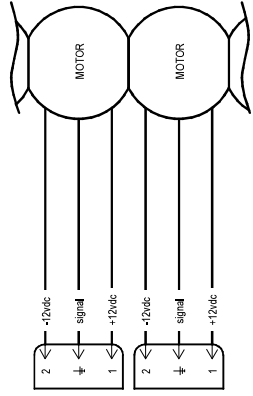
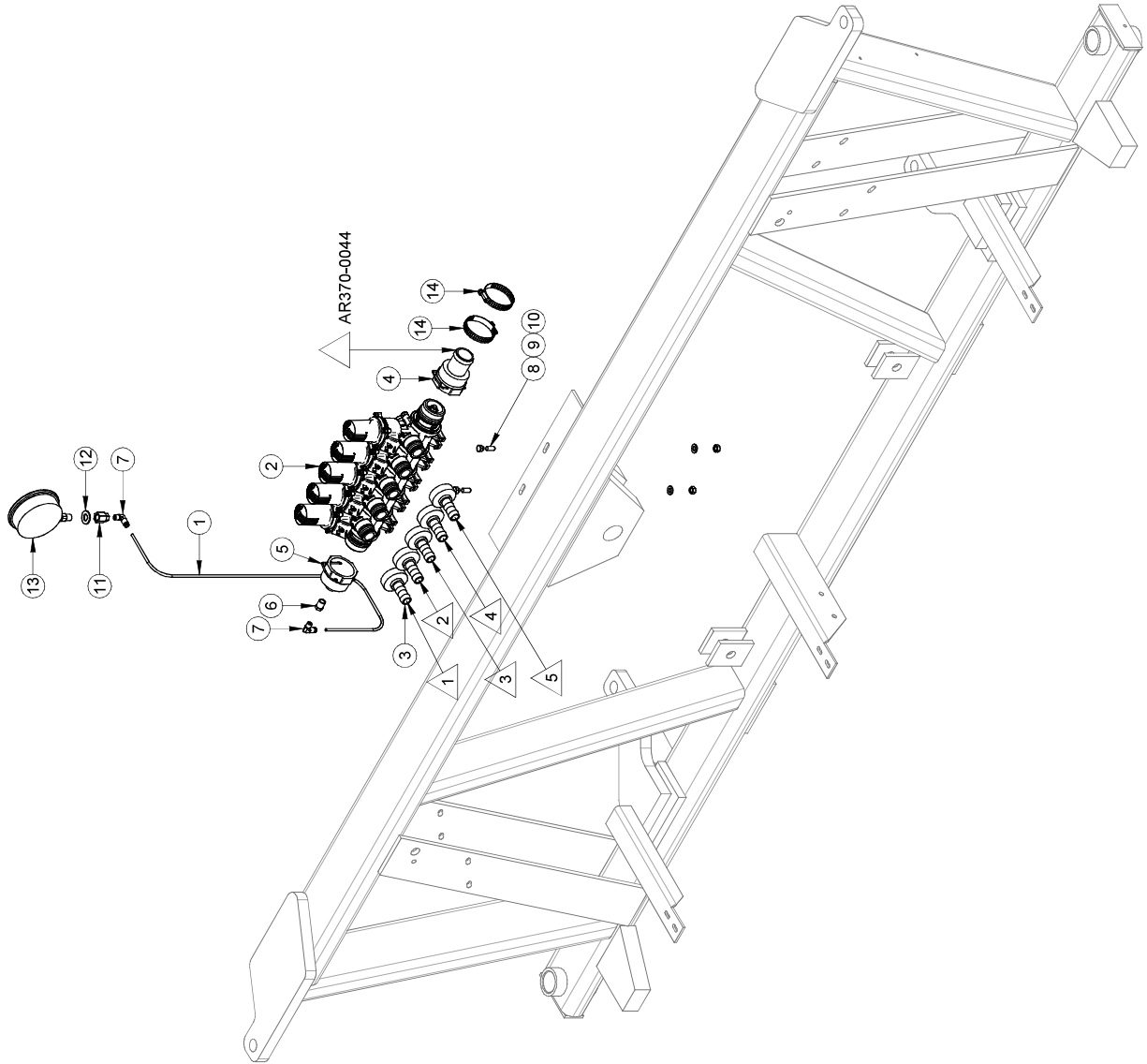


| Rev | Description | Date | Approbation |
|-----|-------------|------|-------------|
| | | | |
| | | | |

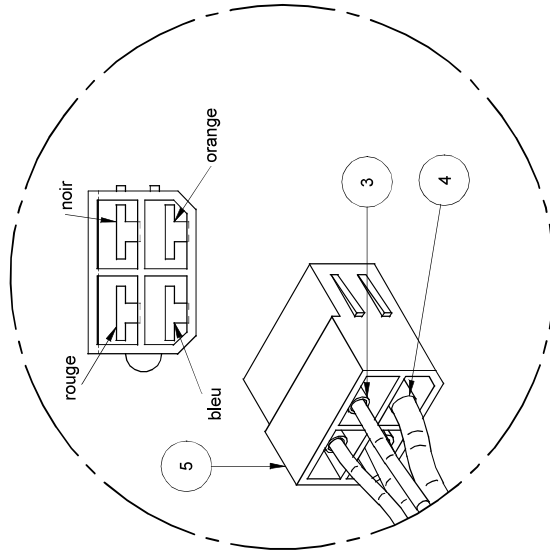
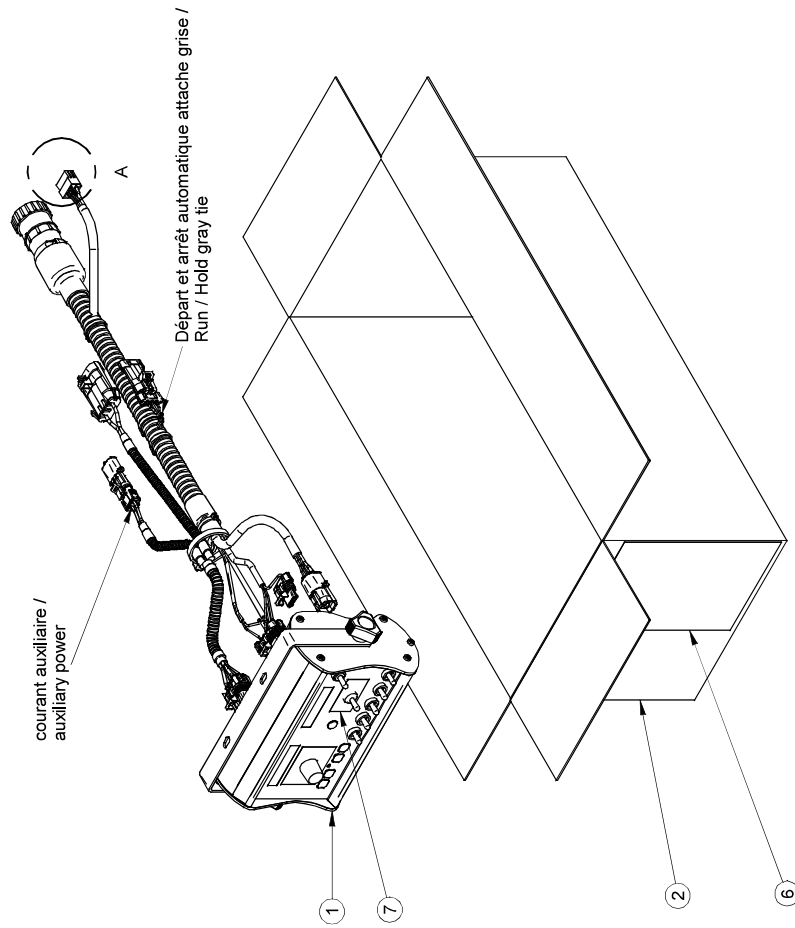
| | | | |
|---|---|--|------------|
| <p>1- LES VALEURS SONT EN POUCES SAUF SI SPECIFIÉ UNITS ARE IN INCHES UNLESS OTHERWISE SPECIFIED 2- TOLERANCES GENERALES Frac.: ± 1/16" X.XX: ± 0.01" X.XXX: ± 0.005"</p> | | <p>AVIS: L'information contenue a été fournie par le fournisseur et MS GREGGON n'assume aucune responsabilité en ce qui concerne l'exactitude, la précision, la fiabilité, la sécurité, la conformité, la propriété intellectuelle, les droits de reproduction, etc. MS GREGGON, who reserves all patent rights thereto.</p> | |
| # FEUILLE / SHEET # | MS-4623711010 | DATE CREATION | 2006-11-03 |
| CREATEUR / CREATOR | lanoleg | REVISION PAR / BY | trudej |
| DESCRIPTION | Câble de lecteur de débit électro-magnétique assemblé | | |
| #DESSIN / DRAWING # | MS-4623711010 | | |
| REVISION | 1 | ECHELLE / SCALE | 1:1 |
| PAGE | 1 of 1 | REVISION PAR / BY | trudej |
| CREATEUR / CREATOR | lanoleg | DATE CREATION | 2006-11-03 |
| REVISION | 1 | ECHELLE / SCALE | 1:1 |

| # | REF. | Q. | L" |
|---|-----------|----|------|
| 1 | AU-33TNHN | 1 | 366" |

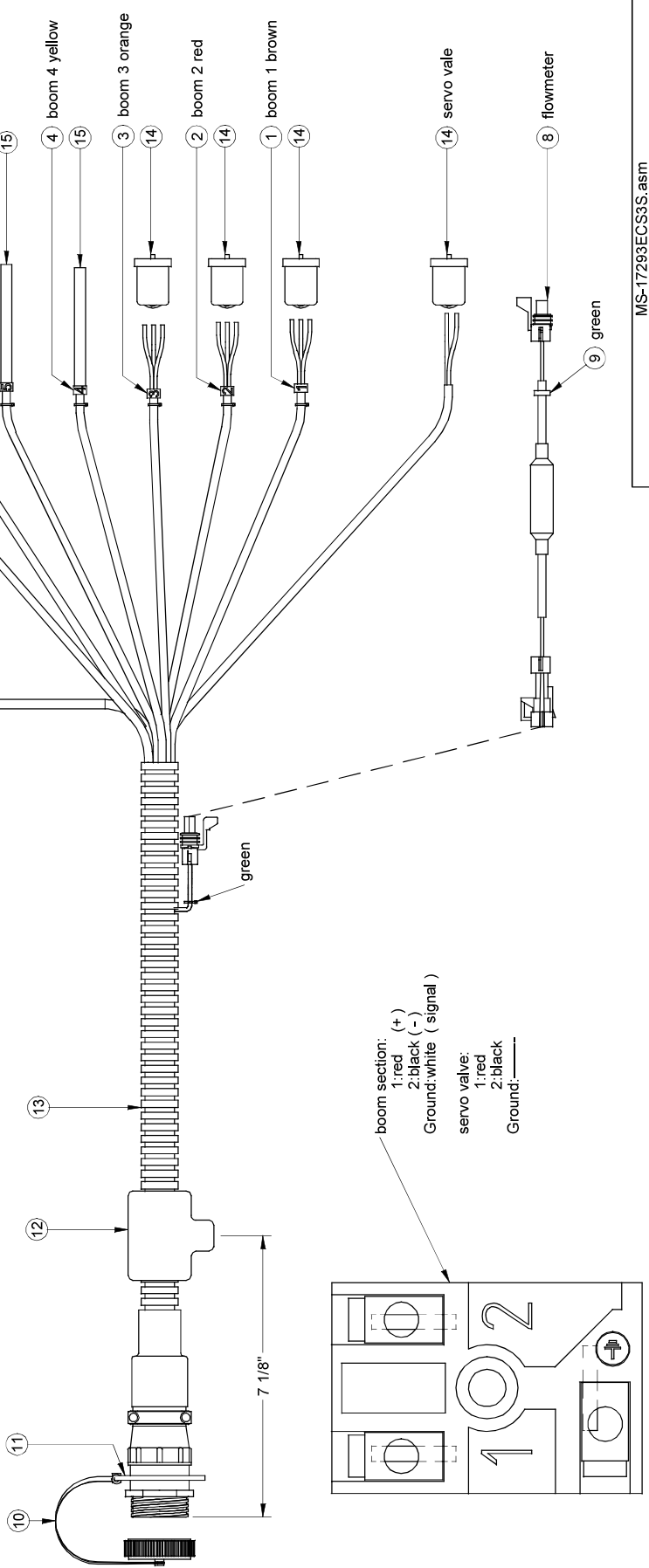
| # | REF. | Q. |
|----|-----------------|----|
| 2 | JB-435EC2D | 1 |
| 3 | JB-45529-3/4 | 5 |
| 4 | JB-584561500 | 1 |
| 5 | JB-5845614 | 1 |
| 6 | JB-RMF0201BR | 1 |
| 7 | AU-D7069-3A | 2 |
| 8 | BT-516114 | 2 |
| 9 | BT-FW516 | 2 |
| 10 | BT-LN516 | 2 |
| 11 | AU-119BA | 1 |
| 12 | BT-FW12 | 1 |
| 13 | JB-025FF002004G | 1 |
| 14 | DA-SHAS32 | 2 |



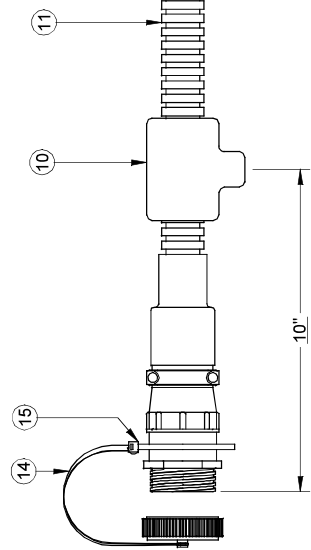
| # | Ref. | Q. |
|---|---------------|----|
| 1 | MT-01311 | 1 |
| 2 | AU-BL241010 | 1 |
| 3 | AU-406501 | 2 |
| 4 | AU-40650101 | 2 |
| 5 | AU-400603 | 1 |
| 6 | AU-FICIDBOITE | 1 |
| 7 | AU-DECEMM3405 | 1 |



| # | Ref. | Q. | " |
|----|------------------|----|----|
| 1 | AU-CMC1281 | 1 | |
| 2 | AU-CMC1282 | 1 | |
| 3 | AU-CMC1283 | 1 | |
| 4 | AU-CMC1284 | 1 | |
| 5 | AU-CMC1285 | 1 | |
| 6 | AU-CMC1286 | 1 | |
| 7 | AU-CMC1287 | 1 | |
| 8 | MT-14226 | 1 | |
| 9 | AU-PLT2MM5 | 1 | |
| 10 | AU-A16041ND | 1 | |
| 11 | AU-L8400M | 1 | |
| 12 | AU-WLT1000375100 | 1 | |
| 13 | MT-17293 | 1 | |
| 14 | MP-ECS0015 | 4 | |
| 15 | AU-TUBERET14 | 4 | 3" |

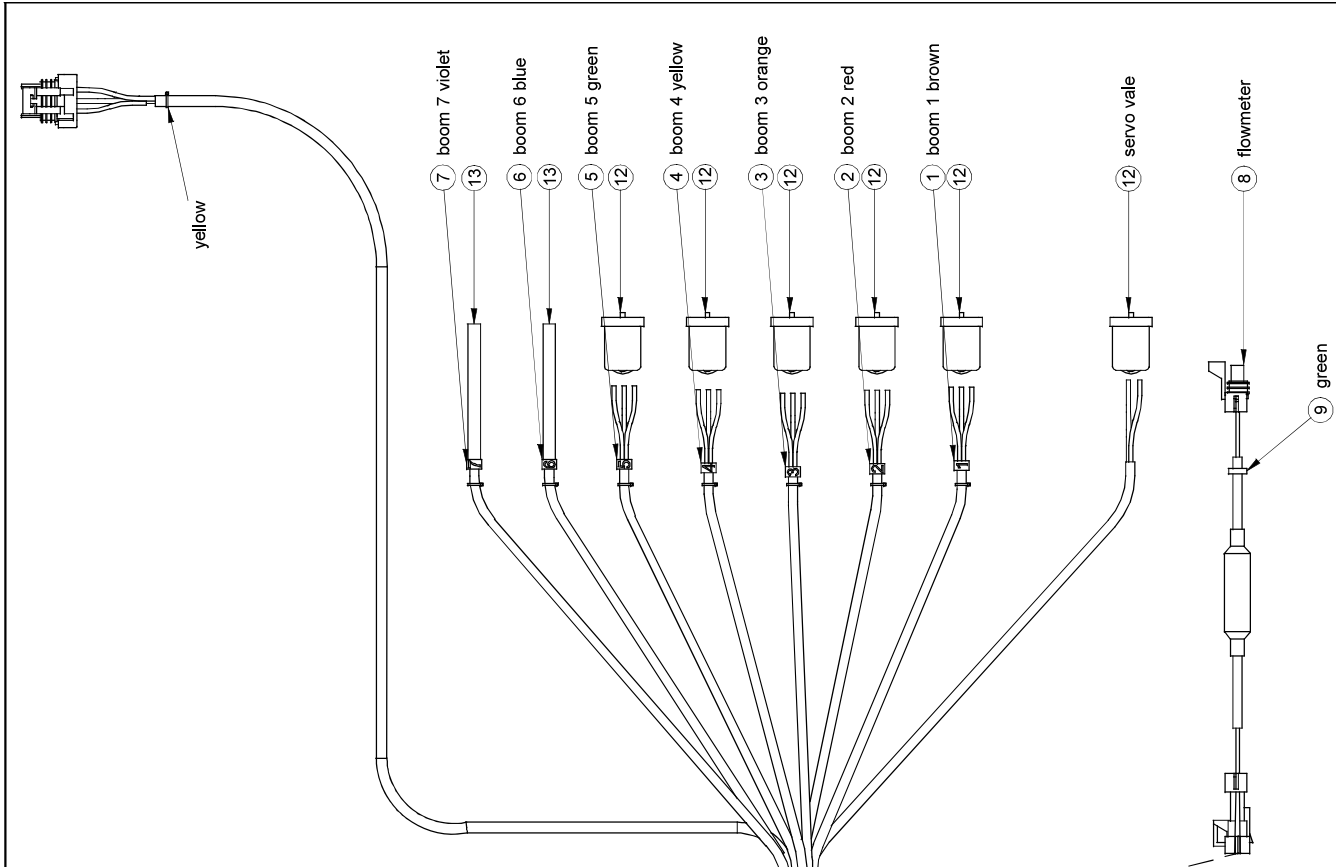
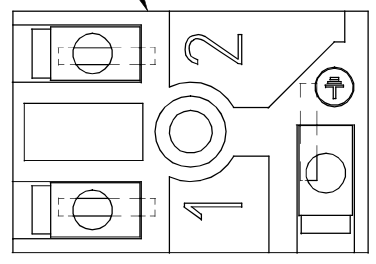


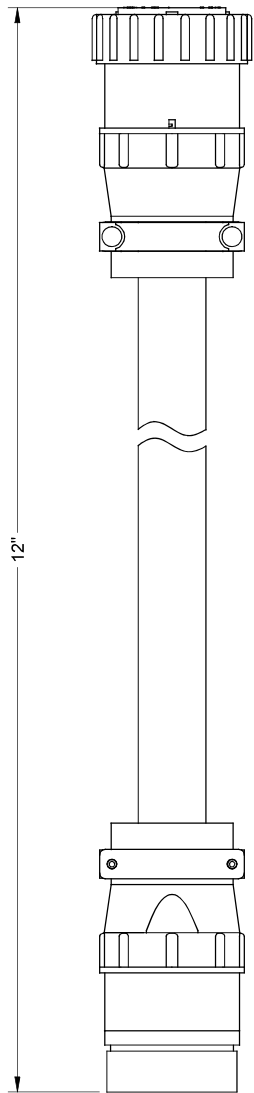
| # | Ref. | Q. | " |
|----|------------------|----|----|
| 1 | AU-CMC1281 | 1 | |
| 2 | AU-CMC1282 | 1 | |
| 3 | AU-CMC1283 | 1 | |
| 4 | AU-CMC1284 | 1 | |
| 5 | AU-CMC1285 | 1 | |
| 6 | AU-CMC1286 | 1 | |
| 7 | AU-CMC1287 | 1 | |
| 8 | MT-14226 | 1 | |
| 9 | AU-PLT2MM5 | 1 | |
| 10 | AU-WLT1000375100 | 1 | |
| 11 | MT-17293 | 1 | |
| 12 | MP-ECS0015 | 6 | |
| 13 | AU-TUBERET14 | 2 | 3" |
| 14 | AU-A16041ND | 1 | |
| 15 | AU-L8400M | 1 | |

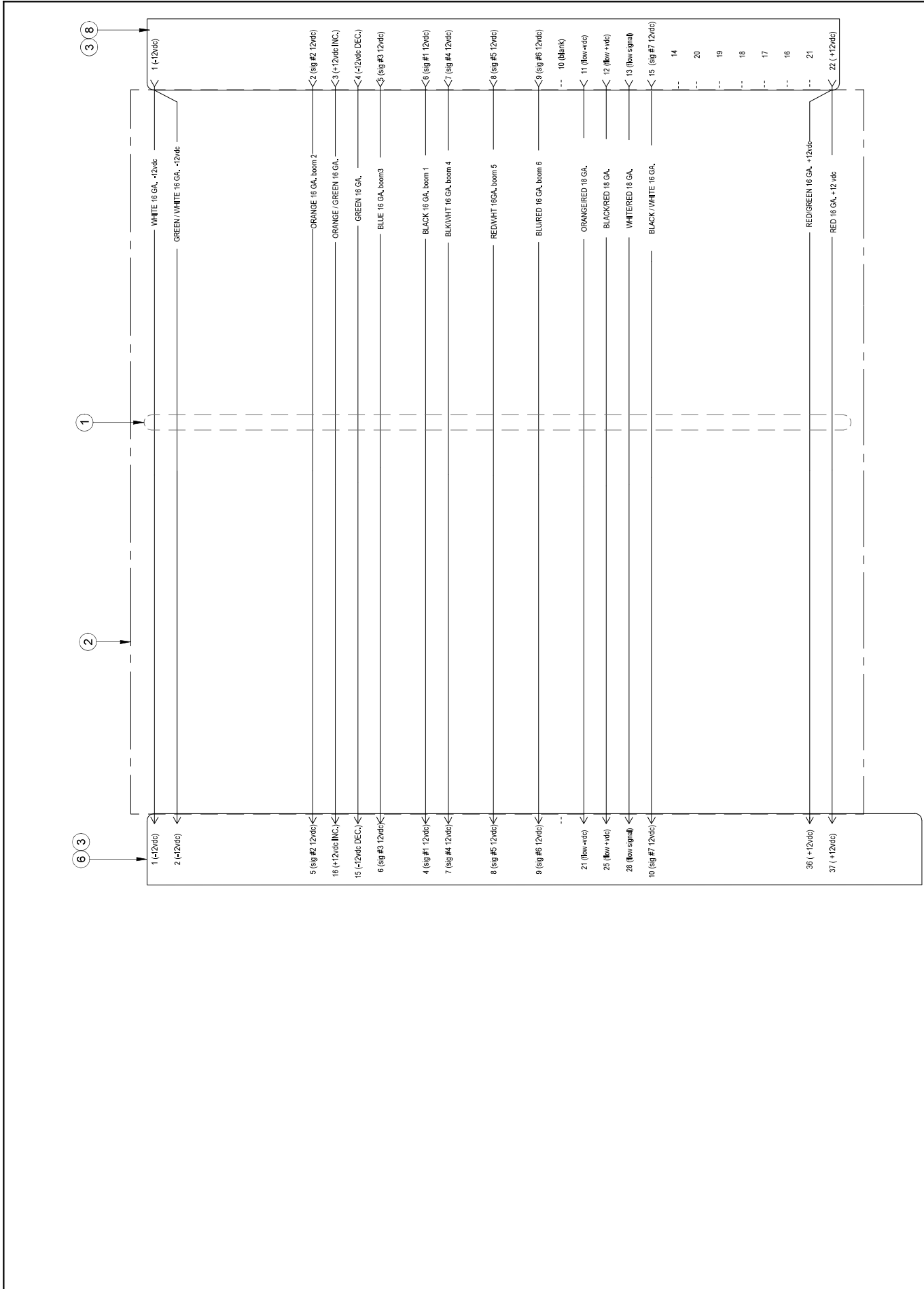


boom section:
 1:red (+)
 2:black (-)
 Ground:white (signal)

servo valve:
 1:red
 2:black
 Ground:---

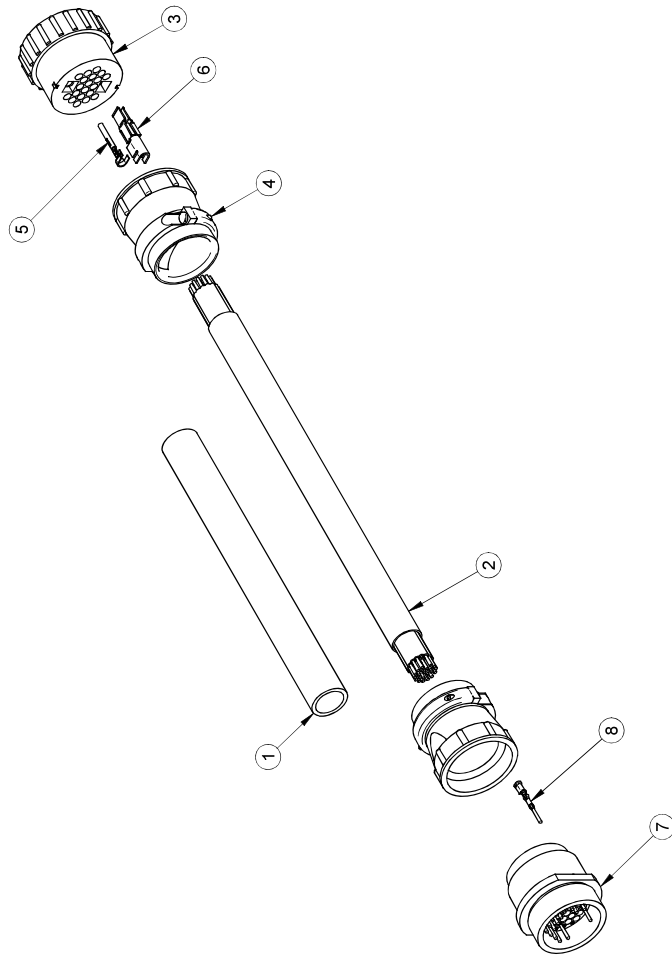






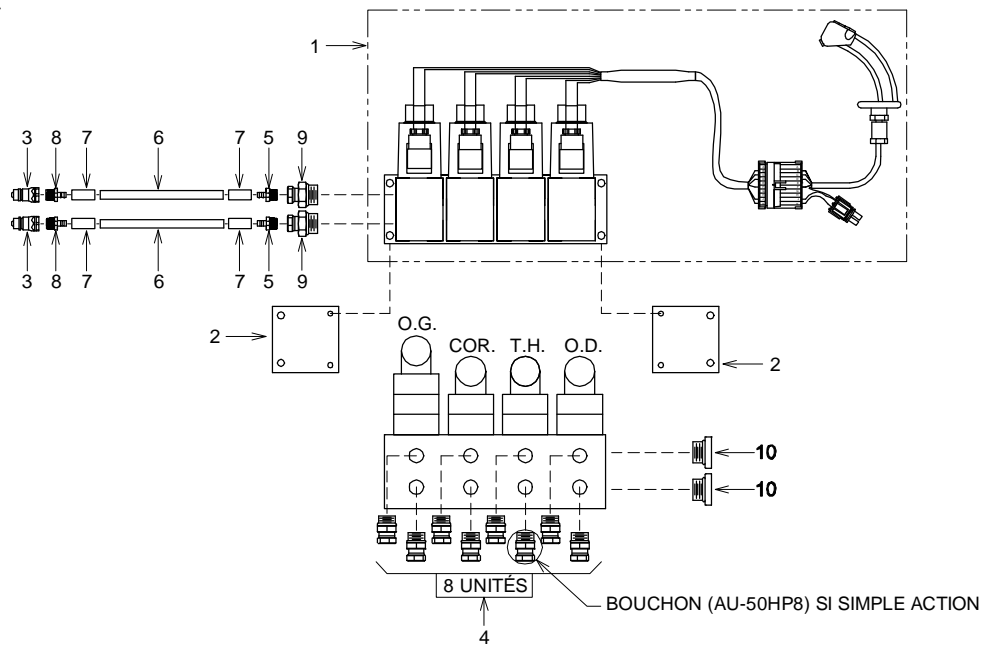
| # | Ref. | Q. | " |
|---|------------|----|----|
| 1 | AU-1291 | 1 | 7" |
| 2 | BE-1624PVC | 1 | 8" |

| # | Ref. | Q. |
|---|-------------|----|
| 1 | AU-1291 | 1 |
| 2 | BE-1624PVC | 1 |
| 3 | AU-A16037ND | 1 |
| 4 | AU-A16061ND | 2 |
| 5 | AU-A25124ND | 13 |
| 6 | AU-A25036ND | 2 |
| 7 | AU-A1356ND | 1 |
| 8 | AU-A25123ND | 16 |

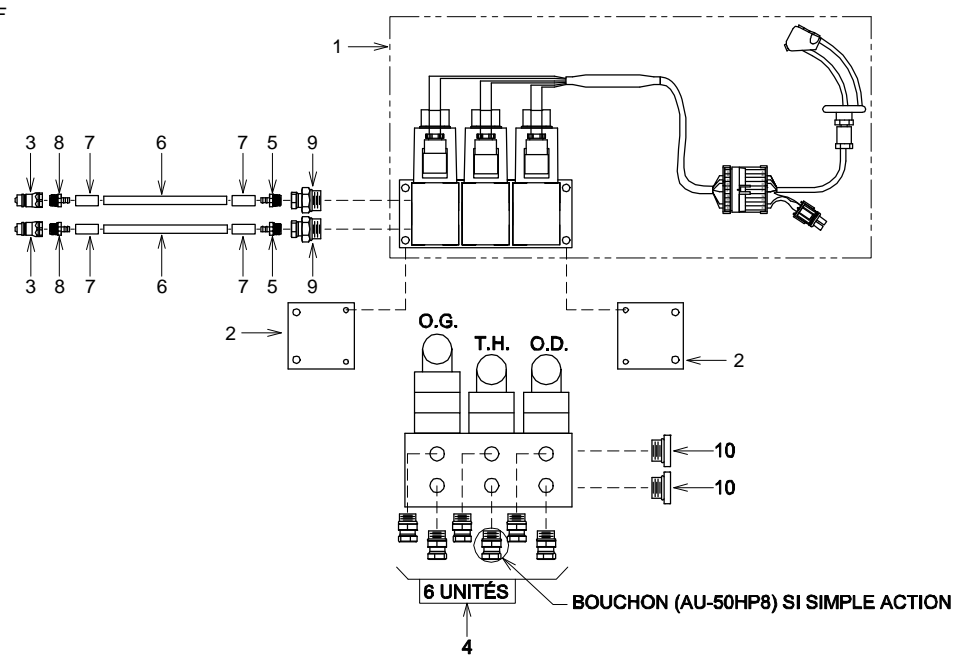


Plomb. hyd. sélecteur 4 fonct. rampe HV 4 fonct. hyd. plumbing for HV boom

RE-PHRHV4F



RE-PHRHV3F



O.G. : OUVERTURE GAUCHE
COR. : CORRECTEUR DE NIVEAU
T.H. : TREUIL HYDRAULIQUE
O.D. : OUVERTURE DROITE



PULVÉRISATEUR MS Inc.
MS SPRAYER Inc.

\\PULVAGRAMPE\PLOMB-HYD\PHRHV4F

DATE: 1997-03-27

PAR/ BY: G.L.

REV: 2003-08-25

PAR/ BY: E.L.

#REV: 1

REC.: RE-PHRHV4F

RE-PHRHV3F

APP:

APPROUVÉ LE: 2006-04-15 09:54:03 PAR: LANDIEG

**PULVÉRISATEUR MS**

Div. de RAD Technologies Inc.

4300 rue Vachon, Drummondville QC J2B 6V4, Canada

Tél.: 819-474-1910 Fax: 819-474-5317 sales@msspray.com

BOM**RE-PHRHV4F****REVISION****1**Desc. Française **Plomb. hyd. sélecteur 4 fonct. rampe HV pour parallélogramme**English Desc. **4 fonct. hyd. plumbing for HV boom for parallelogram**

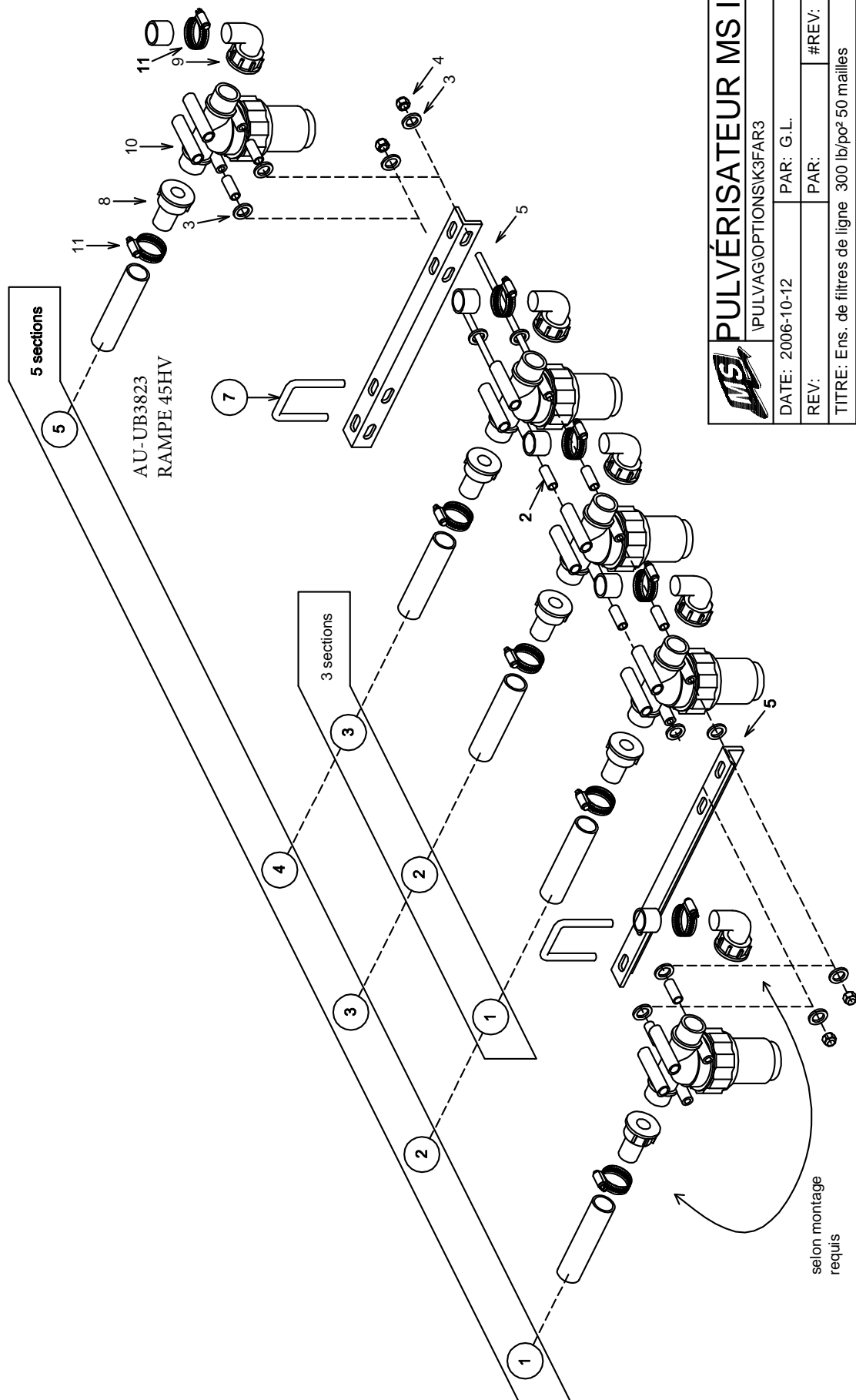
| Réf. | Quantité | Produit | Description française | English Description |
|------|----------|--------------|--|--|
| 2 | 2.00 | MS-SEHYDR4 | Support embase hydraulique | Hydraulic block brace |
| 3 | 2.00 | MO-80104 | Qc à bille fermé hyd. mâle 1/2" x 1/2"fnpt pl*** | Close ball coupler male 1/2" x 1/2"fnpt pl*** |
| 4 | 8.00 | AU-705088 | Raccord droit 3/4-16morb x 1/2"fpnpt | Straight adapt. 3/4-16morb x 1/2"fpnpt |
| 5 | 2.00 | AU-ISN1068HT | Raccord droit 3/8"mnpt x 1/2"hb pour FH-H12 et H122H | Straight fitt. 3/8"mnpt x 1/2"hb for FH-H12and H122H |
| 6 | 60.00 | FH-H122H | Boyau 1/2"x 2plis, noir 4000 lbs/po2, 275oF | Hose 1/2"x 2ply, black 4000 psi, 275oF |
| 7 | 4.00 | AU-IS8SCFHT | Ferrule 1/2"pour boyau FH-H122H | Ferrule 1/2" for hose FH-H122H |
| 8 | 2.00 | AU-ISN1088HT | Raccord droit 1/2"mnpt x 1/2"hb pour FH-H12 et H122H | Straight fitt. 1/2"mnpt x 1/2"hb for FH-H12and H122H |
| 9 | 2.00 | AU-7050106 | Raccord pivotant 3/8"pfnpnt x 7/8-14morb pl | Swivel 3/8"pfnpnt x 7/8-14morb pl |
| 10 | 2.00 | AU-50HP10 | Bouchon 7/8-14 joint torique boss, mâle tête allen hex | 7/8-14 male orb allen hex head plug |

**PULVÉRISATEUR MS****Div. de RAD Technologies Inc.**


4300 rue Vachon, Drummondville QC J2B 6V4, Canada

Tél.: 819-474-1910 Fax: 819-474-5317 sales@msspray.com**BOM****MS-ENSRUNHOLD8F****REVISION****0**Desc. Française **Ens. de départ et arrêt automatique pour manette 8 fonction**English Desc. **Run / hold kit for 8 fonction joystick**

| Réf. | Quantité | Produit | Description française | English Description |
|------|----------|---------------|---|---------------------------------|
| 3 | 1.00 | CA-JOYSTICK8S | Levier de commandes 8 inter.avec marche-arrêt (joystick)*** | Joystick 8 switch w/on/off *** |
| 21 | 1.00 | MT-13232F | Ens.connecteur femele 3 pins m/p | Connector female kit 3 pins m/p |
| 22 | 2.00 | BE-222PVC | Câble 22/2 pvc 300 volts | Wire #22-2pvc (au pied) |
| 23 | 1.00 | JB-90361600I | O-ring | O-ring |
| 24 | 6.00 | AU-TUBERET38 | Tube fondant 3/8" gris | Shrink tubing 3/8"(elec.wire) |
| 26 | 1.00 | AU-PLT2MM8 | Attaches pour câbles minis grises | Tie rap mini gray |
| 27 | 2.00 | AU-PLT2MM100 | Attaches pour câbles minis noires | Tie rap mini black |



selon montage
requis

| | | | |
|---|------------------------------|--------|---------|
|  | PULVÉRISATEUR MS Inc. | | |
| | PULVAG OPTIONS K3FAR3 | | |
| DATE: 2006-10-12 | PAR: G.L. | REV: 0 | #REV: 0 |
| TITRE: Ens. de filtres de ligne 300 lb/po² 50 mailles | | | |
| # REC.: | | | |
| MS-K3F134AR3 | | | |
| MS-K5F134AR3 | | | |
| | | | APP: |



PULVÉRISATEUR MS
Div. de RAD Technologies Inc.
4300 rue Vachon, Drummondville QC J2B 6V4, Canada
Tél.: 819-474-1910 Fax: 819-474-5317 sales@msspray.com

BOM

MS-K3F134AR3

REVISION

0

Desc. Française **Ens. de 3 filtres 1" de ligne 50 mailles, 300 lb/po² 3/4"**
English Desc. **3 in-line 1" filter kit, 50 MESH, 300 psi 3/4" hose**

| Réf. | Quantité | Produit | Description française | English Description |
|------|----------|---------------|--|---|
| 1 | 2.00 | MS-TF51613 | Tige filetée 5/16" x 13" | 13", 5/16" threaded rod |
| 2 | 4.00 | MS-BE38114 | Bague espaceur 3/8" int x 1 1/4" | 3/8" int x 1 1/4" spacer bushing |
| 3 | 8.00 | BT-FW516 | Rondelle plate 5/16" | Flat washer 5/16 |
| 4 | 4.00 | BT-LN516 | Écrou freiné nylon 5/16 unc | Locknut nylon 5/16 unc |
| 5 | 2.00 | MS-BRHV50FJ | Fixation de bar de porte buse | Nozzles support brace |
| 7 | 2.00 | AU-UB38112212 | Boulon en U, carré 3/8 x 1 1/2 x 2 1/2 | Sq u-bolt 3/8 x 1 1/2 x 2 1/2 |
| 8 | 3.00 | MP-1064191 | Adapt. droit 1"fnpt x 3/4"hb céd.40 ny*** | Straight adaptor 1"fnpt x 3/4"hb ced.40 ny*** |
| 9 | 3.00 | MP-1164201 | Adapt. coudé 90° 1"fnpt x 3/4"hb céd.40 ny | 90° elbow adaptor 1"fnpt x 3/4"hb ced.40 ny |
| 10 | 3.00 | AU-8110009 | Filtreur 1" mbsp x 1" mbsp, 290 lbs/po ² , 50 mailles | Strainer 1" mbsp x 1" mbsp, 290 psi, 50 mesh |
| 11 | 6.00 | DA-SHAS12 | Collier de serrage en acier inox. 9/16" x 1 1/4" | Stainless steel collar 9/16" x 1 1/4" |



PULVÉRISATEUR MS
Div. de RAD Technologies Inc.
4300 rue Vachon, Drummondville QC J2B 6V4, Canada
Tél.: 819-474-1910 Fax: 819-474-5317 sales@msspray.com

BOM

MS-K5F134AR3

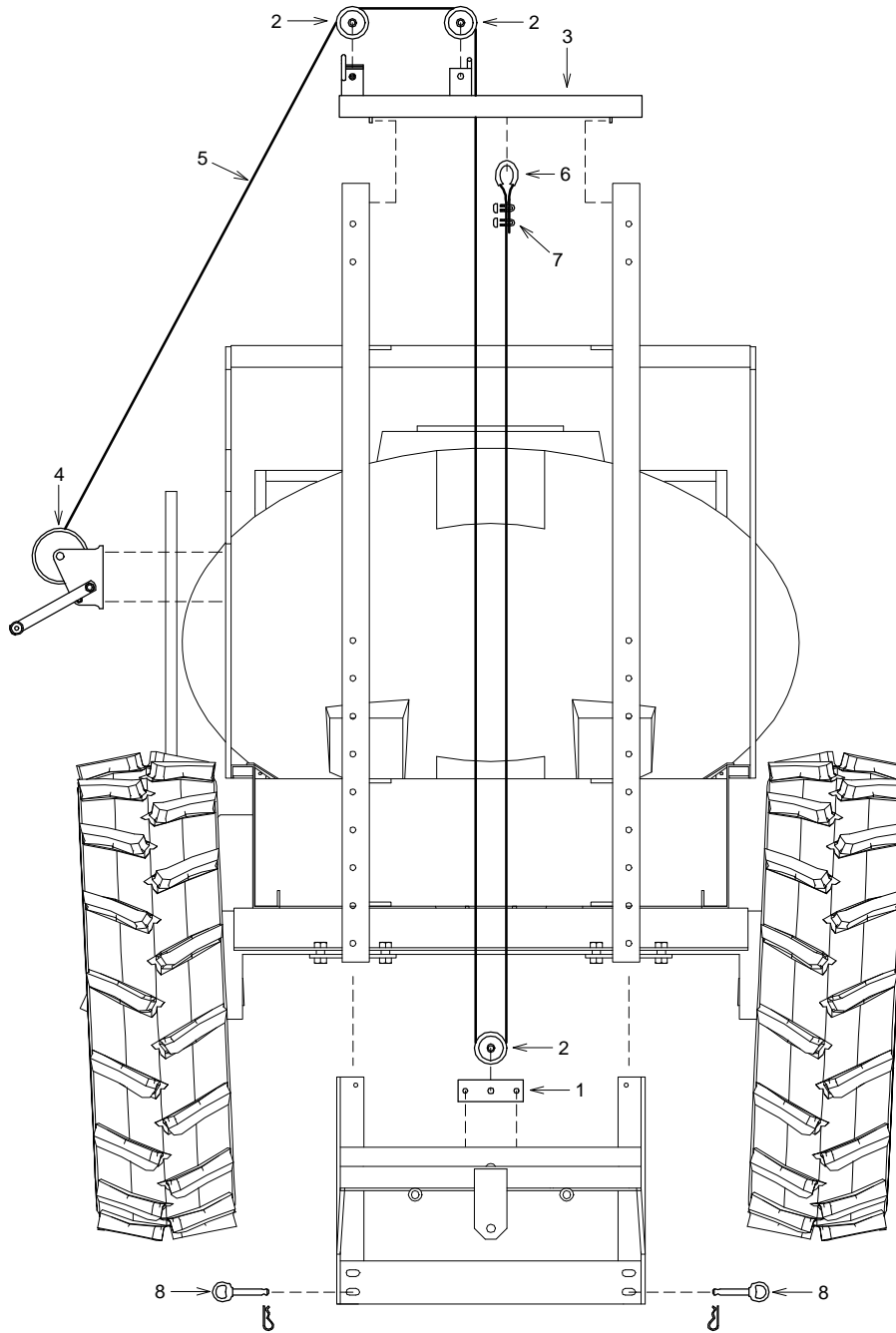
REVISION

0

Desc. Française **Ens. de 5 filtres 1" de ligne 50 mailles,300 lb/po² 3/4"**
English Desc. **5 in-line1" filter kit 300 psi 3/4" hose**

| Réf. | Quantité | Produit | Description française | English Description |
|------|----------|---------------|--|---|
| 1 | 2.00 | MS-TF51621 | Tige filetée 5/16" x 21" | 21", 5/16" threaded rod |
| 2 | 8.00 | MS-BE38114 | Bague espaceur 3/8" int x 1 1/4" | 3/8" int x 1 1/4" spacer bushing |
| 3 | 12.00 | BT-FW516 | Rondelle plate 5/16" | Flat washer 5/16" |
| 4 | 4.00 | BT-LN516 | Écrou freiné nylon 5/16 unc | Locknut nylon 5/16 unc |
| 5 | 2.00 | MS-BRHV50FJ | Fixation de bar de porte buse | Nozzles support brace |
| 6 | 4.00 | BT-N38 | Écrou 3/8" plaqué | Nut 3/8" plated |
| 7 | 2.00 | AU-UB38212312 | Boulon en U, carré 3/8 x 2 1/2 x 3 1/2 | Sq u-bolt 3/8 x 2 1/2 x 3 1/2 |
| 8 | 5.00 | MP-1064191 | Adapt. droit 1"fnpt x 3/4"hb céd.40 ny*** | Straight adaptor 1"fnpt x 3/4"hb ced.40 ny*** |
| 9 | 5.00 | MP-1164201 | Adapt. coudé 90° 1"fnpt x 3/4"hb céd.40 ny | 90° elbow adaptor 1"fnpt x 3/4"hb ced.40 ny |
| 10 | 5.00 | AU-8110009 | Filtreur 1" mbsp x 1" mbsp, 290 lbs/po ² , 50 mailles | Strainer 1" mbsp x 1" mbsp, 290 psi, 50 mesh |
| 11 | 10.00 | DA-SHAS12 | Collier de serrage en acier inox. 9/16" x 1 1/4" | Stainless steel collar 9/16" x 1 1/4" |

Rellevage manuel pulv. rem. R1915 / T500
 Manual lift kit with winch for R1915 / T500



| | | | |
|----------------------------------|------|------------------------------|---------|
| MS | | PULVÉRISATEUR MS Inc. | |
| | | MS SPRAYER Inc. | |
| \\PULVAG\RAMPE\RELEVAGE\TMBR1915 | | | |
| DATE: 2003-11-19 | PAR/ | BY: E.L. | |
| REV: 2007-07-03 | PAR/ | BY: D.T. | #REV: 2 |
| # REC.: MS-TMBR1915 | | | |
| | | | APP: |

APPROUVÉ LE: 2007-07-18 08:29:54 PAR: LANDIEG



PULVÉRISATEUR MS
Div. de RAD Technologies Inc.
4300 rue Vachon, Drummondville QC J2B 6V4, Canada
Tél.: 819-474-1910 Fax: 819-474-5317 sales@msspray.com

BOM

MS-TMBR1915

REVISION

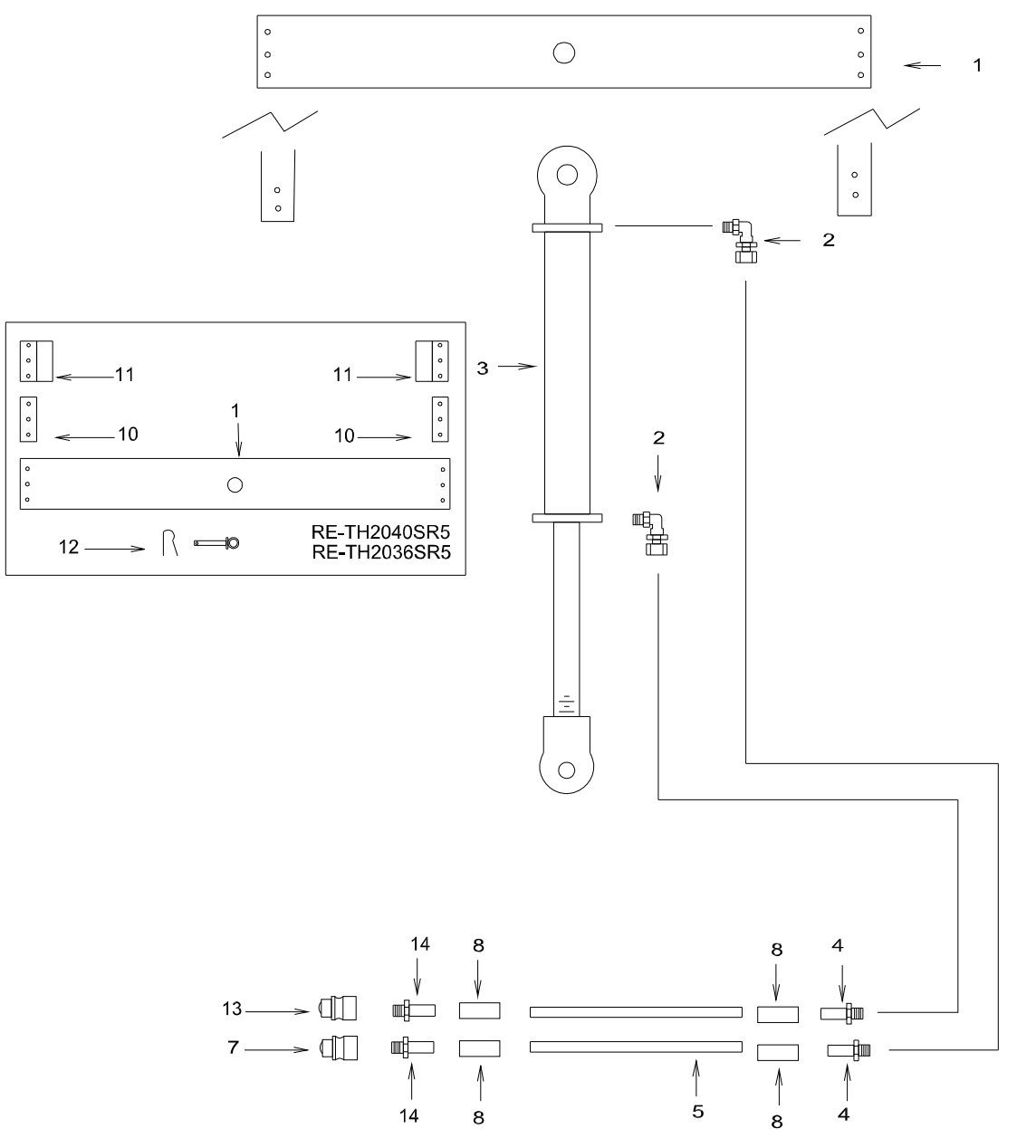
2

Desc. Française **Relevage manuel pour T300 à R1915, P1135E- P1915**

English Desc. **Manual lift kit for T300 to R1915, P1135E- P1915**

| Réf. | Quantité | Produit | Description française | English Description |
|------|----------|-------------|----------------------------------|------------------------------|
| 1 | 1.00 | MS-BSAE | Bracket treuil manuel | Manuel winch bracket |
| 2 | 3.00 | AU-133103 | Poulie 1/2 arbre x 3" pour | Pulley 1/2" shaft x 3" for |
| 3 | 1.00 | MS-TT1915R2 | Tête de treuil manuel | Manual winch interface |
| 4 | 1.00 | CA-514 | Treuil 1400 lbs | Winch 1400 pounds |
| 5 | 1.00 | MS-CA0010 | Cable 1/4" x 240" | 1/4" x 240" steel cable |
| 6 | 1.00 | MO-DD119606 | Cosse cable acier 1/4 | Thimble/steel cable 1/4 |
| 7 | 2.00 | MO-DD119506 | Clip pour cable 1/4 | Clip/steel cable 1/4 |
| 8 | 2.00 | AU-HP0814 | Goupille 1/2"x3 1/2" anneau rond | Pin 1/2" x 3 1/2" round ring |

Relevage hyd. par glissière 20" de course
 HYD LIFT KIT, 20" RAISE



| | | | |
|----------------------------------|---------------|------------------------------|------|
| | | PULVÉRISATEUR MS Inc. | |
| | | MS SPRAYER Inc. | |
| I/PULVAGRAMPE/RELEVAGE/ITH2040R5 | | | |
| DATE: 1996-04-09 | PAR/ BY: G.L. | | |
| REV: 2003-03-10 | PAR/ BY: P.B. | #REV: 2 | |
| # REC.: RE-TH2040R5 RE-TH2040SR5 | | | |
| RE-TH2036R5 RE-TH2036SR5 | | | |
| | | | APP: |

APPROUVÉ LE: 2003-03-20 09:07 PAR: HOUEB



PULVÉRISATEUR MS
Div. de RAD Technologies Inc.
4300 rue Vachon, Drummondville QC J2B 6V4, Canada
Tél.: 819-474-1910 Fax: 819-474-5317 sales@msspray.com

BOM

MS-TH2040R5

REVISION

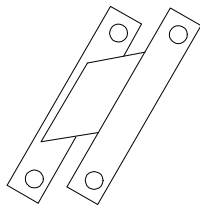
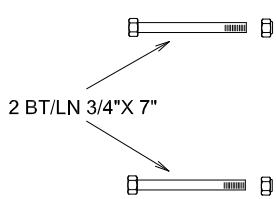
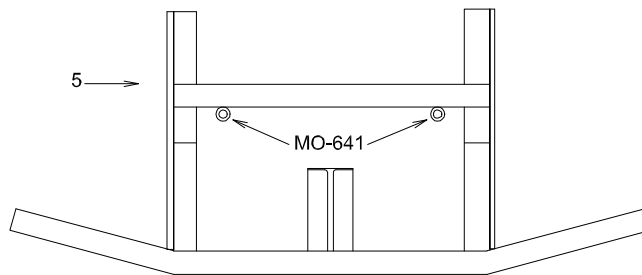
0

Desc. Française **Relevage hyd. par glissière 20" de course**

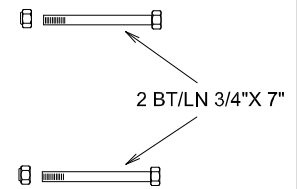
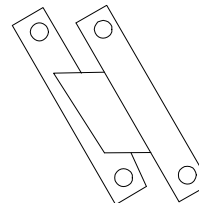
English Desc. **Cyl. kit 20-40" / hyd. lift**

| Réf. | Quantité | Produit | Description française | English Description |
|------|----------|-------------|--|---|
| 1 | 1.00 | MS-STH2040 | Support treuil hyd 20 a 40 po | Hyd. winch support 20 to 40" |
| 2 | 2.00 | MO-951586 | Adapt. coudé 3/4-16morb x 3/8"pfnpt céd.80 pl | Elbow adapt. 3/4-16morb x 3/8"pfnpt ced.80 pl |
| 3 | 1.00 | MI-648475R2 | Cylindre soudé 2" x 20" x 1 1/8" nt, 3/4-16 forb, seal PSP | Cylinder welded 2" x 20" x 1 1/8" nt, 3/4-16 forb, PSP seal |
| 4 | 2.00 | AU-ISN1064 | Raccord droit 3/8"mnpt x 1/4"hb céd.80 pl | Straight fitt. 3/8"mnpt x 1/4"hb ced.80 pl |
| 5 | 49.00 | FH-H14 | Boyau hydraulique 1/4", 1pli, 3000 lbs/po2 | Hyd. hose 1/4", 1 ply, 3000 psi |
| 7 | 1.00 | MO-80104 | Qc à bille fermé hyd. mâle 1/2" x 1/2"fnpt pl*** | Close ball coupler male 1/2" x 1/2"fnpt pl*** |
| 8 | 4.00 | AU-IS4SCF | Ferrule 1/4" céd.80 pl. | Ferrule 1/4" ced.80 pl. |
| 13 | 1.00 | MO-80104EC | Coupleur hyd. 1/2" mâle, conn. pression | 1/2" male hyd. coupl.poppet-con.under press. |
| 14 | 2.00 | AU-ISN1084 | Raccord droit 1/2"mnpt x 1/4"hb céd.80 pl | Straight fitt. 1/2"mnpt x 1/4"hb ced.80 pl |



TREUIL ET OSCILLATEUR / RAMPE 50 ET 60 PI. HV
 SLIDER AND SELF LEVELLING DEVICE / 50 AND 60 F. HV BOOM



← 8 →



DECGR25H ← 4

| | | | |
|---|---------------|------------------------------|--|
|  | | PULVÉRISATEUR MS Inc. | |
| | | MS SPRAYER Inc. | |
| PULVAG RAMPE OSC-SUSP TROS60V6 | | | |
| DATE: 1996-04-11 | PAR/ BY: R.D. | | |
| REV: 2004-02-09 | PAR/ BY: E.L. | #REV: 2 | |
| # REC.: RE-TROS60V6 | | | |
| | | | APP:  |

APPROUVÉ LE: 2004-02-11 13:50 PAR: LANOIEG



PULVÉRISATEUR MS
Div. de RAD Technologies Inc.
4300 rue Vachon, Drummondville QC J2B 6V4, Canada
Tél.: 819-474-1910 Fax: 819-474-5317 sales@msspray.com

BOM

RE-TROS60V6

REVISION

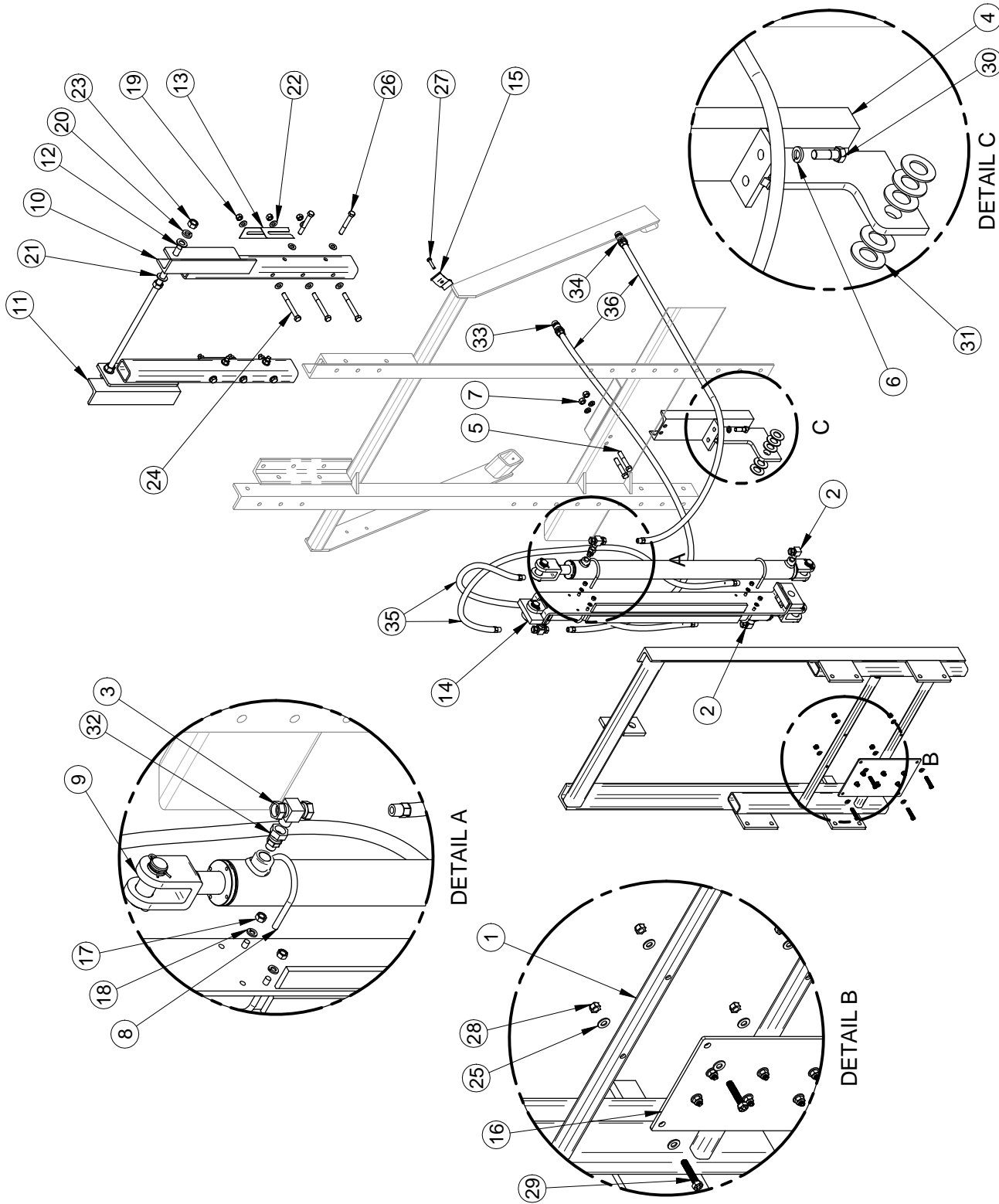
0

Desc. Française **Oscillateur et glissière rampe HV**

English Desc. **Slider and self level for HV boom**

| Réf. | Quantité | Produit | Description française | English Description |
|------|----------|-------------|---|-------------------------------|
| 4 | 1.00 | AU-DECGR25H | Autocollant graisser au 25 hres 1" x 2" | Decal "grease every 25h" |
| 5 | 1.00 | MS-OSC18VT | Treuil oscillateur r60' verti. | Oscillator winch / r60' vert. |
| 8 | 2.00 | MS-OSC07 | Un bras d'oscillateur | One self levelling arm |

| # | REF. | Q. |
|-----|----------------------|----|
| 1 | 000-119 | 1 |
| 2 | MO-940566 | 2 |
| 3 | AU-IS70T1266 | 2 |
| 4 | 000-122 | 1 |
| 5 | BT-123 | 2 |
| 6 | BT-LW12 | 4 |
| 7 | BT-N12 | 2 |
| 8 | AU-UBR516212314 | 4 |
| 9 | 000-124 | 2 |
| 10 | A512-0001 | 1 |
| 11 | A512-0002 | 1 |
| 12 | A512-0001-E010 | 1 |
| 13 | GCLS20G-001 | 4 |
| 14 | 000-140 | 1 |
| 15 | MS-42365 | 2 |
| 16 | AR512-0003 | 1 |
| 17 | BT-N516 | 8 |
| 18 | BT-LW516 | 8 |
| 19 | BT-LN12 | 10 |
| 20 | BT-LW34 | 2 |
| 21 | BT-FW34SAE | 4 |
| 22 | BT-FW12 | 20 |
| 23 | BT-N34 | 4 |
| 24 | BT-12412 | 6 |
| 25 | BT-FW516 | 8 |
| 26 | BT-12312 | 4 |
| 27 | BT-516112 | 2 |
| 28 | BT-LN516 | 4 |
| 29 | BT-516134 | 4 |
| 30 | BT-12112 | 2 |
| 31 | BT-FW1SAE | 5 |
| 32 | MO-931566 | 2 |
| 33 | MO-80104 | 1 |
| 34 | MO-80104EC | 1 |
| 35* | YH-06A03A06A-0066-01 | 2 |
| 36* | YH-06A03A08A-0300-01 | 2 |

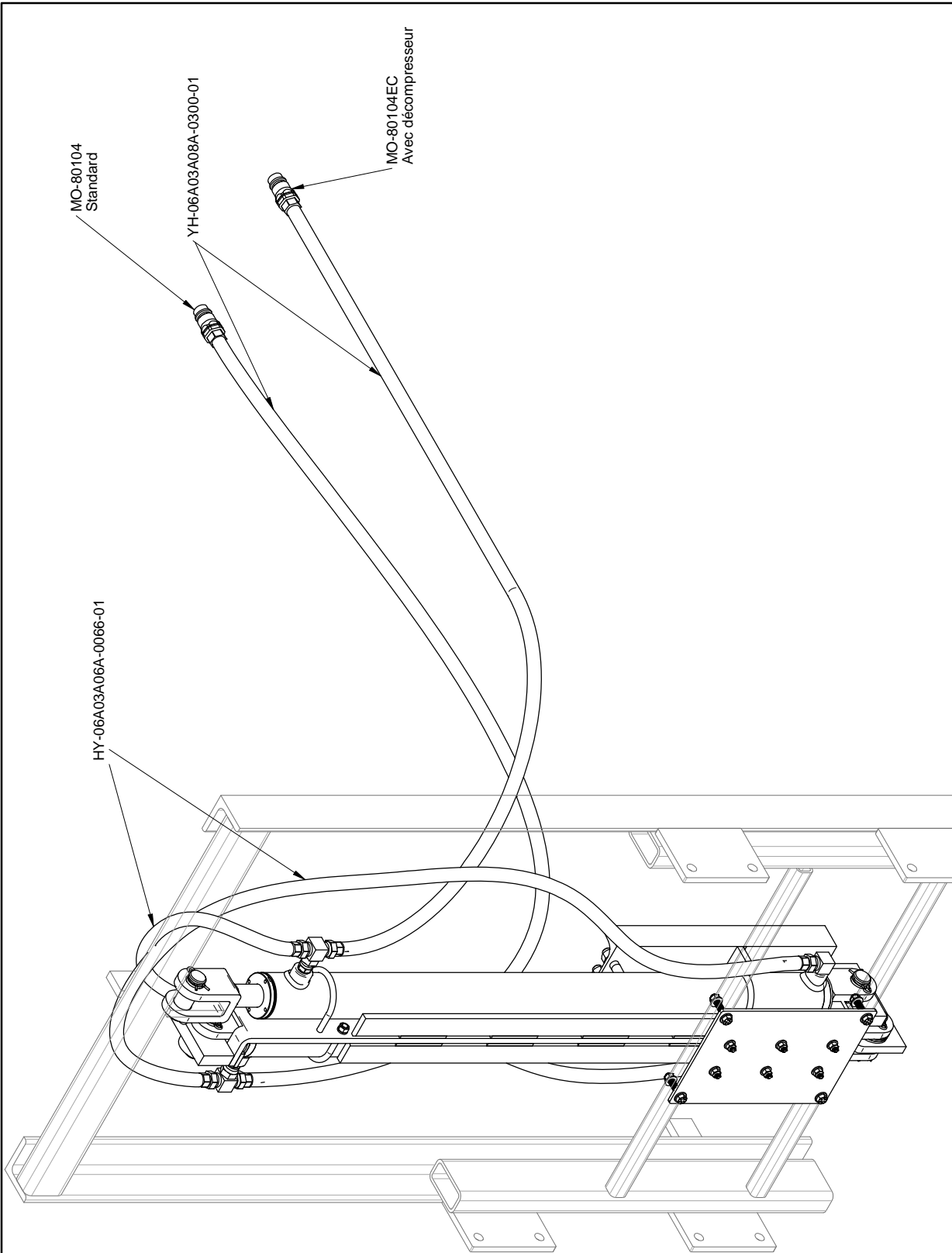


| Rev | Description | Date | Approbation |
|------|--|------------|-------------|
| Rev4 | Ajout AR512-0003 et retrait la vue exposée au compt. | 2015/10/05 | P.Allard |
| | | | |

| # FEUILLE / SHEET # | DATE CREATION | CREATEUR / CREATOR | REVISION DATE | PAGE |
|---------------------|---------------|--------------------|---------------|--------|
| AR512-0001 | 2012/03/01 | sarim | 2015/10/14 | 1 of 2 |

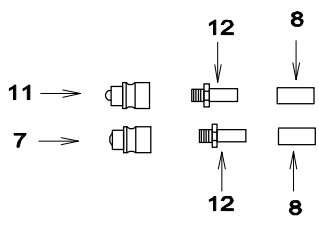
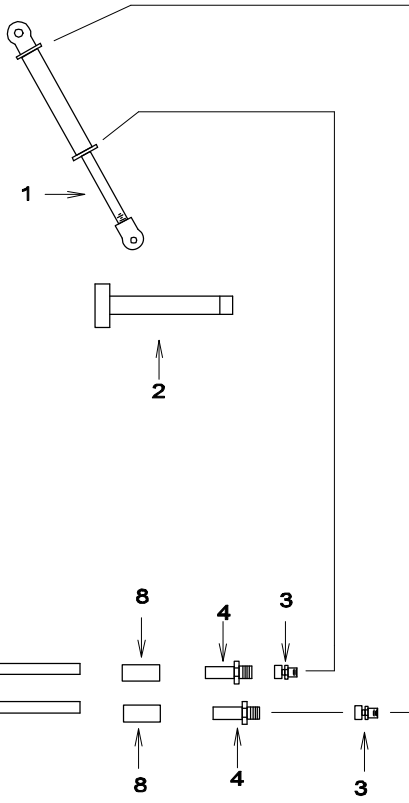
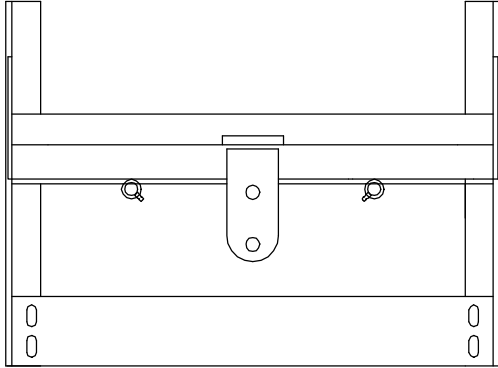
| DESCRIPTION | REVISION PAR / BY | ECHELLE / SCALE | REVISION |
|---------------------|-------------------|-----------------|----------|
| HYD LIFT KIT 20-84" | allardp | | |
| #DESSIN / DRAWING # | | | |
| AR512-0001 | | | 4 |

AVIS: L'information ci-dessus a été fournie par MS GREGGON en vertu de son droit de propriété, licence, commercialisation, fabrication et/ou droits de reproduction. Toute réimpression ou utilisation non autorisée sans la permission écrite de MS GREGGON, qui réserve all patent, est formellement interdite. Toute réimpression ou utilisation non autorisée sans la permission écrite de MS GREGGON est formellement interdite.



| | | | | | | |
|---|---|---------------------------------------|------------------------------------|------------------------------|--|----------------|
| 1- LES VALEURS SONT EN POUCE SAUF SI SPECIFIÉ 1- VALUES ARE INCHES UNLESS OTHERWISE SPECIFIED 2- GENERAL TOLERANCES Fraç.: ± 1/16" X.X: ± 0.01" X.XX: ± 0.005" |  | # FEUILLE / SHEET # AR512-0001-001 | DATE CREATION 2012/03/01 | CREATEUR / CREATOR sarifm | REVISION / REVISION DATE 2015/10/14 | PAGE 2 of 2 |
| | | # DESSIN / DRAWING # AR512-0001 | DESCRIPTION HYD LIFT KIT 20-84" | REVISION PAR / BY allarcp | ECHELLE / SCALE 1:8 | REVISION 4 |
| AVIS: L'information ci-dessus a été fournie par MS GREGSON en vertu de son droit de propriété, licence, brevet, droit de reproduction, etc. et peut être protégée par le droit de propriété intellectuelle. Toute réimpression ou reproduction sans autorisation écrite de MS GREGSON est formellement interdite. | | | | | | |
| Rev4 Date: 2015/10/05 P.Allard | Description Approval | | | | | |

Correcteur de niveau hydraulique
Hydraulic level corrector



PULVÉRISATEUR MS Inc.
MS SPRAYER Inc.

| | | |
|---------------------------------|---------------|---------|
| I\PULVAGRAMPE\OSC-SUSP\CORNIVR5 | | |
| DATE: 1996-04-09 | PAR/ BY: G.L. | |
| REV: 2004-02-09 | PAR/ BY: E.L. | #REV: 2 |
| # REC.: MS-CORNIVR5 | | |
| | | APP: |

APPROUVÉ LE: 2006-10-26 10:55:09 PAR: LANDIEG

**PULVÉRISATEUR MS**

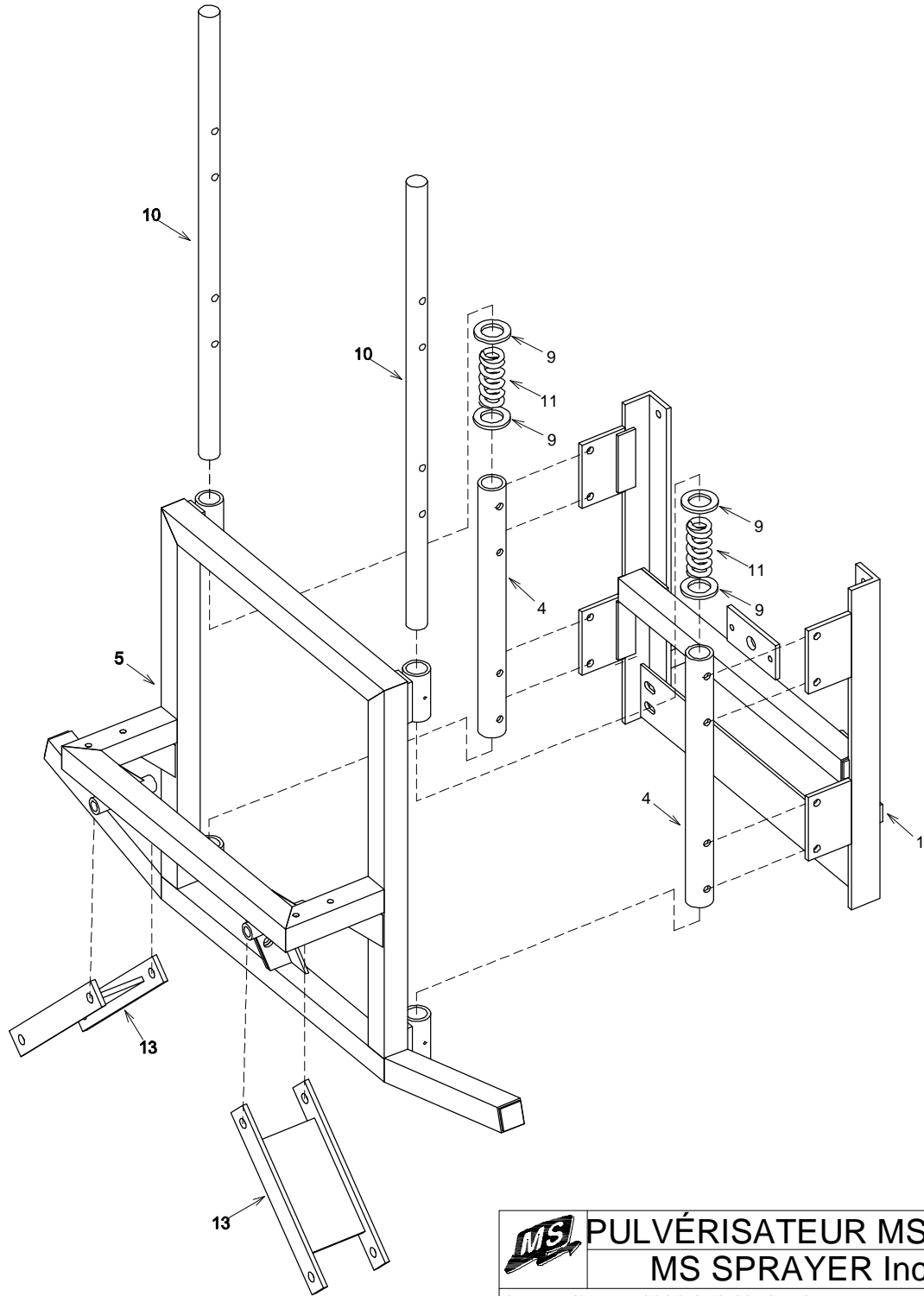
Div. de RAD Technologies Inc.

4300 rue Vachon, Drummondville QC J2B 6V4, Canada

Tél.: 819-474-1910 Fax: 819-474-5317 sales@msspray.com**BOM****MS-CORNIVR5****REVISION****0**Desc. Française **Ens. de correcteur de niveau pour rampe manuel / HV**English Desc. **Hydraulic level corrector for manual and HV boom**

| Réf. | Quantité | Produit | Description française | English Description |
|------|----------|---------------|--|--|
| 1 | 1.00 | AU-CYL2505 | Cylindre 2 1/2" x 4" x 1 1/2" tige en chrome, 3/8 fnpt | Cylinder 2 1/2"x 4"x 1 1/2" cr 3/8 fnpt level cor. |
| 3 | 2.00 | MO-HSR6610400 | Orifice 3/8"mnpt x 3/8"pnpt. perce à 0.0400", ID noir | Restrictor 3/8x3/8 drill .0520" black mark |
| 4 | 2.00 | AU-ISN1064 | Raccord droit 3/8"mnpt x 1/4"hb céd.80 pl | Straight fitt. 3/8"mnpt x 1/4"hb ced.80 pl |
| 5 | 60.00 | FH-H14 | Boyau hydraulique 1/4", 1pli, 3000 lbs/po2 | Hyd. hose 1/4", 1 ply, 3000 psi |
| 7 | 1.00 | MO-80104 | Qc à bille fermé hyd. mâle 1/2" x 1/2"fnpt pl*** | Close ball coupler male 1/2" x 1/2"fnpt pl*** |
| 8 | 4.00 | AU-IS4SCF | Ferrule 1/4" céd.80 pl. | Ferrule 1/4" ced.80 pl. |
| 10 | -1.00 | MS-OSC07 | Un bras d'oscillateur | One self levelling arm |
| 11 | 1.00 | MO-80104EC | Coupleur hyd. 1/2" mâle, conn. pression | 1/2" male hyd. coupl.poppet-con.under press. |
| 12 | 2.00 | AU-ISN1084 | Raccord droit 1/2"mnpt x 1/4"hb céd.80 pl | Straight fitt. 1/2"mnpt x 1/4"hb ced.80 pl |

Suspension à ressort, bâti de relevage et oscillateur HV
 Spring suspension for R50/60HV



| | | | |
|-----------------------------------|------|------------------------------|-------------------------|
| MS | | PULVÉRISATEUR MS Inc. | |
| | | MS SPRAYER Inc. | |
| \\PULVAGRAMPE\OSC-SUSP\SUSRESHVR1 | | | |
| DATE: 2004-01-30 | PAR/ | BY: E.L. | |
| REV: 2004-03-24 | PAR/ | BY: E.L. | #REV: 0 |
| # REC.: MS-SUSRESHVR1 | | | |
| | | | APP: <i>[Signature]</i> |

APPROUVÉ LE: 2004-10-28 11:36:54 PAR: LANDIEG



PULVÉRISATEUR MS
Div. de RAD Technologies Inc.
4300 rue Vachon, Drummondville QC J2B 6V4, Canada
Tél.: 819-474-1910 Fax: 819-474-5317 sales@msspray.com

BOM

MS-SUSRESHVR1

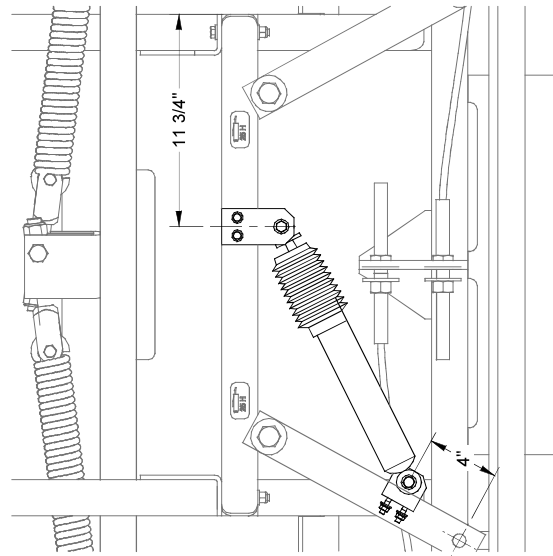
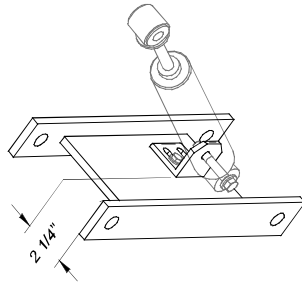
REVISION

0

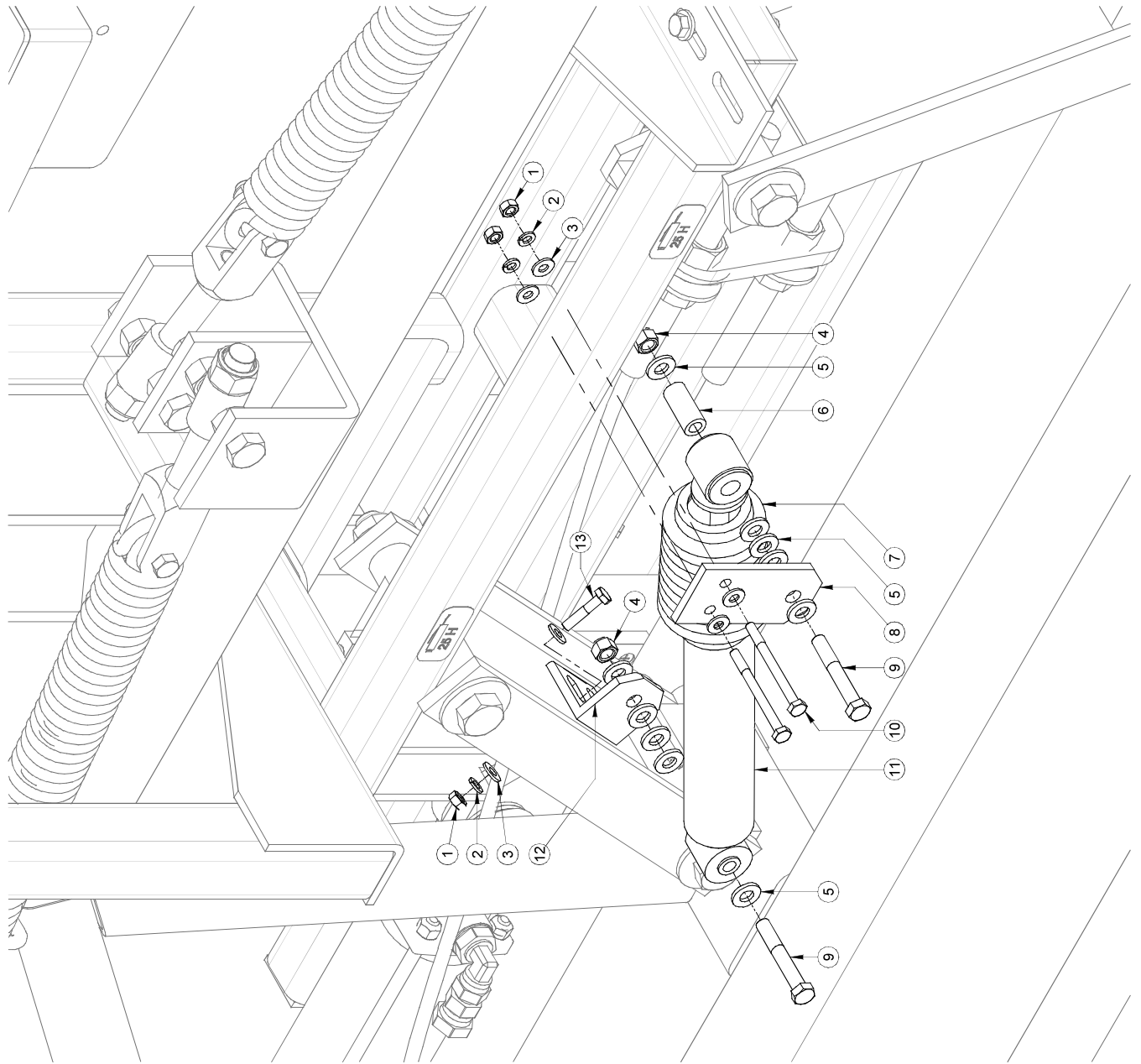
Desc. Française **Suspension à ressort, bâti de relevage et oscillateur HV**
English Desc. **Spring suspension for R50/60HV**

| Réf. | Quantité | Produit | Description française | English Description |
|------|----------|--------------|--------------------------------------|--|
| 1 | 1.00 | MS-BSRHVR | Glissière suspension ressort | Spring suspension slider |
| 4 | 2.00 | MS-TM0067 | Bague 2" x 1.516" x 21 1/2", 4 trous | |
| 5 | 1.00 | MS-BSRHVA | Oscillation suspension r60hv | R60HV Suspension oscillator |
| 9 | 4.00 | MS-FW1916212 | Rondelle 1 9/16" int. x 2 1/2" ext. | 1 9/16" int. x 2 1/2" ext. flat washer |
| 10 | 2.00 | MS-FR0032 | Glissière 1 1/2" x 36", 4 trous | 1 1/2" x 36" Slider, 4 holes |
| 11 | 2.00 | MS-F04102 | Ressort compression 4 1/8" | 4 1/8" compression spring |
| 13 | 2.00 | MS-OSC07 | Un bras d'oscillateur | One self levelling arm |

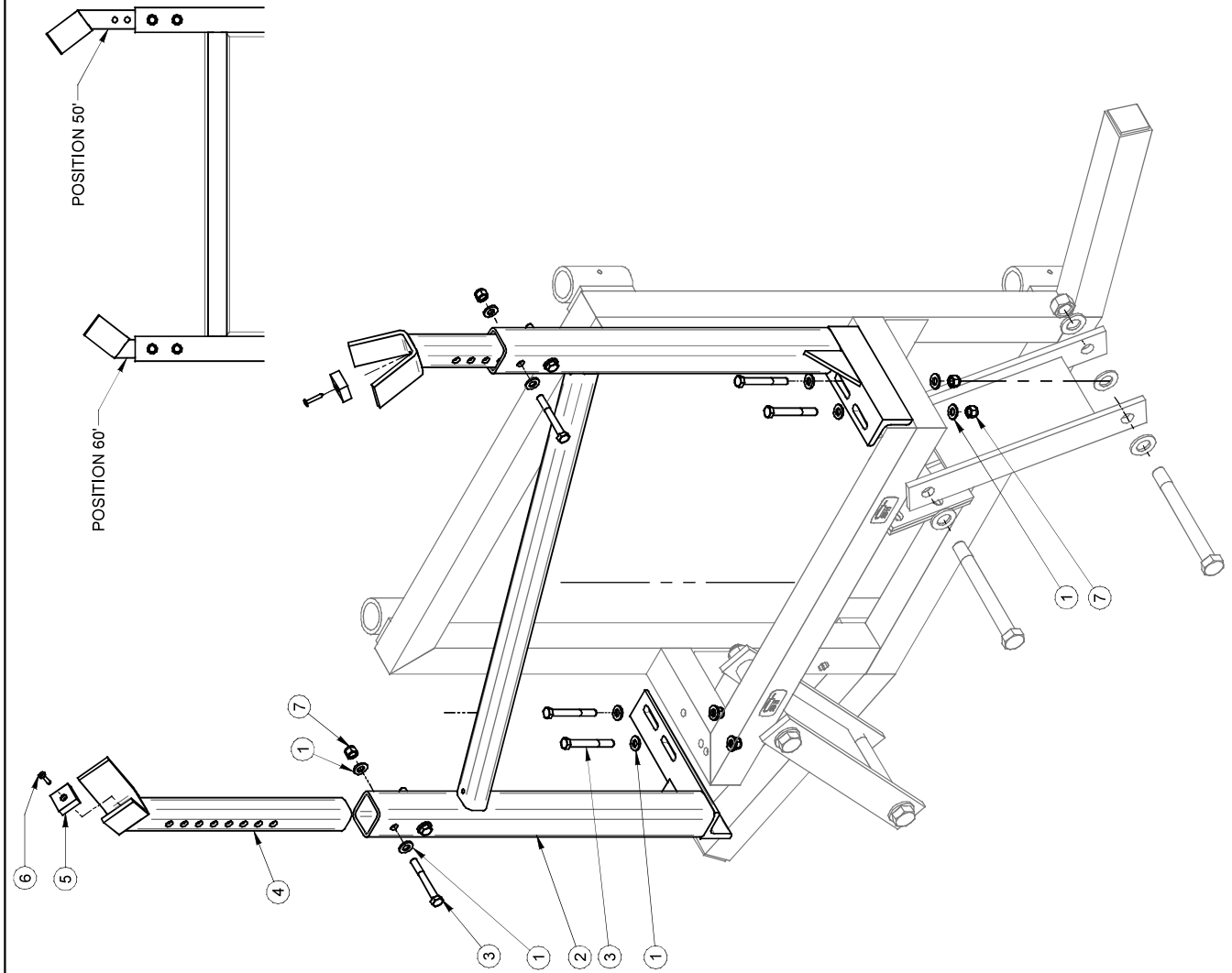
| # | REF. | Q. |
|----|------------|----|
| 1 | BT-N14 | 4 |
| 2 | BT-LW14 | 4 |
| 3 | BT-FW14 | 8 |
| 4 | BT-LN38 | 2 |
| 5 | BT-FW38 | 10 |
| 6 | MS-BAOSC | 1 |
| 7 | AU-SA1997 | 1 |
| 8 | MS-SAOSCCB | 1 |
| 9 | BT-38212 | 2 |
| 10 | BT-143 | 2 |
| 11 | AU-SC2942 | 1 |
| 12 | MS-SAOSC | 1 |
| 13 | BT-14114 | 2 |



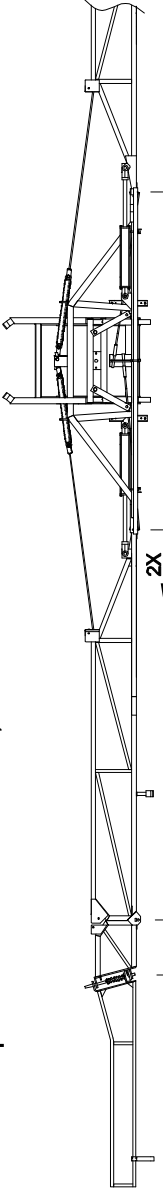
| | |
|------------|--------|
| 2010/02/04 | Pg:1-1 |
| ART20-0001 | Rev: 0 |



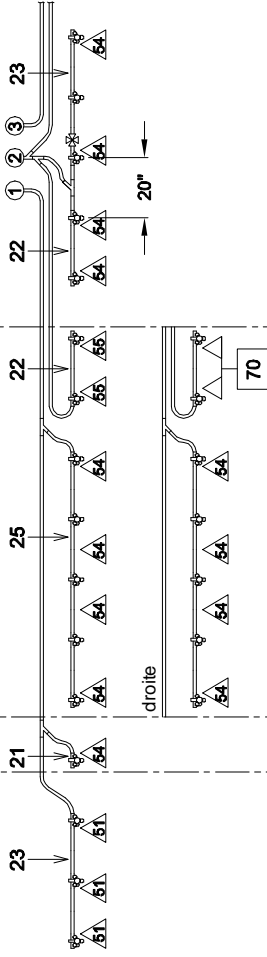
| # | REF. | Q. |
|---|-----------|----|
| 1 | BT-FW38 | 16 |
| 2 | A790-0013 | 1 |
| 3 | BT-383 | 8 |
| 4 | A790-0012 | 2 |
| 5 | MS-BRH15S | 2 |
| 6 | AU-SBS612 | 2 |
| 7 | BT-LN38 | 8 |



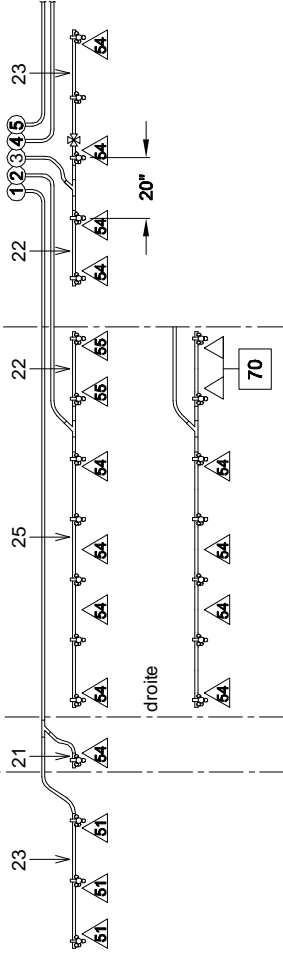
Plomb. 3 et 5 sect., 27 buses aux 20" pour rampe HV45
 Water plumb. 3 and 5 sect., 27 nozzles at 20" for 45'HV



RE-PE3R45V8
 3 Sections
 27: (9-9-9)



RE-PE5R45V8
 5 Sections
 27: (4-7-5-7-4)



| | | | | |
|---|---|---|--|--|
| <p>Légende Legend</p> | <p>Support de jet (déporté) Nozzle support (offset)</p> | <p>No. de section de rampe Boom section number</p> <p>Exemple de montage d'un support de jet. Nozzle holder assembly example.</p> <p>Jets multiples Multiples nozzles</p> <p>Jets simple Single nozzles</p> <p>Bâti de rampe Boom frame</p> | <p>LECTURE DE PRESSION PRESSURE READING</p> <p>Détails Details</p> <p>AU-BOYAU4MM MP-466350070</p> <p>4mm 1/8"</p> <p>Trou Ø3/8" Hole Ø3/8"</p> <p>AU-BOYAU18 JB-21736NY</p> | <p>PULVÉRISATEUR MS Inc. MS SPRAYER Inc.</p> <p>PULVAGRAMPEPLOMB-EAUPER45V8</p> <p>DATE: 2004-10-12</p> <p>REV: 2004-10-12</p> <p># REC.: RE-PE3R45V8</p> <p>RE-PE5R45V8</p> <p>APP: </p> |
|---|---|---|--|--|



PULVÉRISATEUR MS
 Div. de RAD Technologies Inc.
 4300 rue Vachon, Drummondville QC J2B 6V4, Canada
 Tél.: 819-474-1910 Fax: 819-474-5317 sales@msspray.com

BOM

RE-PE3R45V8

REVISION

5

Desc. Française **Plomb. eau 3 sect., 45' HV 27 buses aux 20"**

English Desc. **3 sect. water plumb., 45' HV 27 noz. at 20"**

| Réf. | Quantité | Produit | Description française | English Description |
|------|----------|---------------|---|--|
| 1 | 34.00 | DA-SHAS12 | Collier de serrage en acier inox. 9/16" x 1 1/4" | Stainless steel collar 9/16" x 1 1/4" |
| 2 | 120.00 | LV-342N | Boyau noir, 3/4", 150 lb/po2, caoutchouc 1 pli | Black hose 3/4", 1 ply, 150 psi |
| 4 | 10.00 | MP-402909 | Bouchon 1/4 tour avec gasket | Black cap plug / gasket |
| 4 | 10.00 | AU-8294022 | Adaptateur 3/4"fbsp x capuchon vissé mâle | Adapt.3/4"fbsp x male twist cap |
| 5 | 7.00 | AU-Y34 | Raccord-union en Y 3/4"hb poly.bleu | Poly.y-3/4" hb,bleu |
| 6 | 10.00 | JB-IMB0606FNY | Adapt. droit 3/4"fnpt x 3/4"hb céd.80 ny. | Straight adapt. 3/4"fnpt x 3/4"hb ced.80 ny. |
| 11 | 27.00 | JB-QJ1756034 | Support de buse simple 3/4" | Nylon jet support 3/4" |
| 12 | 24.00 | AU-3254PP | Support de tuyau (la paire) 3/4", 1"od. poly noir | Poly.clamp 3/4", 1"t (pair) Black |
| 21 | 2.00 | MS-TU1 | Tube poly. 3/4" x 5 1/4", 1 trou | Poly tube 3/4" x 6", 1 hole |
| 22 | 3.00 | MS-TU220 | Tube poly. 3/4" x 22 1/2", 2 trous 20" | Poly. tube 3/4" x 24", 2 holes 20" |
| 23 | 3.00 | MS-TU320 | Tube poly. 3/4" x 42 1/2", 3 trous 20" | Poly. tube 3/4" x 42 1/2", 3 holes 20" |
| 25 | 2.00 | MS-TU520 | Tube poly. 3/4" x 82 1/2", 5 trous 20" | Poly. tube 3/4" x 84", 5 holes 20" |
| 51 | 6.00 | BT-14212 | Boulon 1/4 x 2 1/2" nc plaqué | Bolt 1/4 x 2 1/2" nc plated |
| 51 | 6.00 | BT-FW14 | Rondelle plate 1/4" | Flat washer 1/4" |
| 51 | 6.00 | BT-LN14 | Écrou freiné nylon 1/4 unc | Nylon 1/4" lock nut unc |
| 51 | 6.00 | MS-SJT151 | Sup. jet tube 1 1/2" x 1" | Jet support for 1.5" x 1" tube |
| 51 | 6.00 | BT-FW14 | Rondelle plate 1/4" | Flat washer 1/4" |
| 54 | 14.00 | MS-SJT15C | Sup. jet tube 1 1/2" x 1 1/2" | Jet support for 1 1/2" squ. tu. |
| 54 | 14.00 | BT-14212 | Boulon 1/4 x 2 1/2" nc plaqué | Bolt 1/4 x 2 1/2" nc plated |
| 54 | 14.00 | BT-FW14 | Rondelle plate 1/4" | Flat washer 1/4" |
| 54 | 14.00 | BT-FW14 | Rondelle plate 1/4" | Flat washer 1/4" |
| 54 | 14.00 | BT-LN14 | Écrou freiné nylon 1/4 unc | Nylon 1/4" lock nut unc |
| 55 | 2.00 | BT-LN14 | Écrou freiné nylon 1/4 unc | Nylon 1/4" lock nut unc |
| 55 | 2.00 | MS-SJT15CL | Sup. jet tube long 1 1/2" x 1 1/2" | Long jet sup. for 1.5" squa.tu |
| 55 | 2.00 | BT-FW14 | Rondelle plate 1/4" | Flat washer 1/4" |
| 55 | 2.00 | BT-14212 | Boulon 1/4 x 2 1/2" nc plaqué | Bolt 1/4 x 2 1/2" nc plated |
| 55 | 2.00 | BT-FW14 | Rondelle plate 1/4" | Flat washer 1/4" |
| 70 | 2.00 | MS-SBECRA | Support sur rampe pour porte buse | Boom bracket for nozzle bodies |
| 70 | 1.00 | MS-SBEE | Support boyau elargie extension | Boom extension bracket |
| 70 | 1.00 | AU-UB38112212 | Boulon en U, carré 3/8 x 1 1/2 x 2 1/2 | Sq u-bolt 3/8 x 1 1/2 x 2 1/2 |
| 70 | 1.00 | BT-LN38 | Écrou freiné nylon 3/8 unc | Locknut nylon 3/8 unc |

**PULVÉRISATEUR MS**

Div. de RAD Technologies Inc.

4300 rue Vachon, Drummondville QC J2B 6V4, Canada

Tél.: 819-474-1910 Fax: 819-474-5317 sales@msspray.com

BOM**RE-BRHV50R10****REVISION****1**Desc. Française **Bâti de rampe hyd. 50', HV**English Desc. **50' hv frame hyd. boom**

| Réf. | Quantité | Produit | Description française | English Description |
|------|----------|---------------|--|--|
| 1 | 1.00 | AR520-HV050B | Interface, trapeze, Rampe HV050 / HV060 avec glissière | Interface, trapeze, HV050 / HV060 Boom with slider |
| 2 | 2.00 | SN-RB115 | Bumper rubber 5/8" x 1 1/2" | Rubber bumper 5/8" x 1 1/2" |
| 3 | 2.00 | MO-DD119509 | Clip cable acier 3/8 | Clip/steel cable 3/8 |
| 5 | 2.00 | MS-F95715 | Ressort 22" x 2" x 3/8" | 22" x 2" x 3/8" spring |
| 6 | 2.00 | MS-BRH15L | Attache de tige filetée rh15m | Fastenning bushing / rod rh15m |
| 7 | 6.00 | BT-LN34 | Écrou freiné nylon 3/4 unc | Locknut nylon 3/4 unc |
| 9 | 2.00 | MS-TF34578 | Tige filete 3/4 nc 5 7/8" long | Threaded shaft 3/4 nc 5 7/8"l. |
| 10 | 2.00 | MS-BRH15F | Pivot 1ere extension rh15m | 1st extension pin rh15m |
| 11 | 2.00 | MS-CA0003 | Cable assemblé 3/8" x 157" | 3/8" x 157" cable assembly |
| 12 | 1.00 | MS-BRH15A4 | Centre rampe hyd. m-s 15m. | M-s hyd. boom center 50' |
| 13 | 2.00 | MS-BRH15CH28 | Chaine retenue 28"/ressort r.v | Restraining chaine 28" |
| 15 | 2.00 | MS-BRH15B4R2 | Bâti 1ere ext. rampe hyd. 50' | 1st extention 15m hyd boom |
| 16 | 2.00 | MS-FR0033 | Poulie 3" x 1 3/8" droite | 3" x 1 3/8" straight pulley |
| 17 | 2.00 | MS-FR0034 | Poulie 3" x 1 3/8", rainuré | 3" x 1 3/8" grooved pulley |
| 18 | 6.00 | AU-DECGR25H | Autocollant graisser au 25 hres 1" x 2" | Decal "grease every 25h" |
| 19 | 4.00 | MS-BRH18Z | Plaque de h.m.w./stabilisation | Stabilisation plate (h.m.w.) |
| 20 | 2.00 | MS-BRH15V | Support derniere ext r50-60v | Last ext.support r50-60v |
| 21 | 3.00 | MO-HSR6610400 | Orifice 3/8"mnpt x 3/8"pfnpt. perce à 0.0400", ID noir | Restrictor 3/8x3/8 drill .0520" black mark |
| 22 | 4.00 | AU-ISN1064 | Raccord droit 3/8"mnpt x 1/4"hb céd.80 pl | Straight fitt. 3/8"mnpt x 1/4"hb ced.80 pl |
| 23 | 146.00 | FH-H14 | Boyau hydraulique 1/4", 1pli, 3000 lbs/po2 | Hyd. hose 1/4", 1 ply, 3000 psi |
| 24 | 2.00 | MI-645760R2 | Cylindre 2 1/2" x 16" x 1 1/8" nt, 3/4-16 forb | Cylinder 2 1/2"x 16" x 1 1/8" nt, 3/4-16 f orb |
| 26 | 4.00 | MO-80104 | Qc à bille fermé hyd. mâle 1/2" x 1/2"fnpt pl*** | Close ball coupler male 1/2" x 1/2"fnpt pl*** |
| 27 | 2.00 | MS-BRHV50FJ | Fixation de bar de porte buse | Nozzles support brace |
| 28 | 1.00 | MS-BRHV50BJ | Barre support de porte buse 1 1/2" x 115" | Nozzle supporting bar 1 1/2" x 115" |
| 29 | 2.00 | MS-F42790 | Ressort 6" x 1 3/4" x 3/8" | 6" x 1 3/4" x 3/8" spring |
| 31 | 2.00 | MS-BRH15C3 | Bâti 1ere part. 2e ext. rampe hyd. 50' | 1st part 2nd ext. 50'hyd. boom |
| 32 | 2.00 | MS-FR0017 | Gond 3/4" x 15 1/2", filet | Threaded 3/4" x 15 1/2" hinge |
| 33 | 2.00 | MS-BRH15E5 | 2e part. 2e ext. r. verticale | 2nd part 2nd ext. verti. boom |
| 34 | 2.00 | MS-PAEXT03 | Patin d'ext. rampe hyd. | Hyd. boom ext. skate |
| 35 | 4.00 | MS-BRHV18H | Bague 1" x 5/8" x 3" | 1" x 5/8" x 3" Bushing |
| 36 | 2.00 | MS-BRH18D | Emprise de stabilisation r18m | Stabilisation attachement r18m |
| 37 | 8.00 | AU-IS4SCF | Ferrule 1/4" céd.80 pl. | Ferrule 1/4" ced.80 pl. |
| 38 | 4.00 | AU-ISN1084 | Raccord droit 1/2"mnpt x 1/4"hb céd.80 pl | Straight fitt. 1/2"mnpt x 1/4"hb ced.80 pl |
| 41 | 2.00 | MS-BRH15R | Bague 1" x 0.625" x 1 3/8" | 1" x 0.625" x 1 3/8" Bushing |
| 42 | 4.00 | MS-FC0003 | Attache 1 3/8" c x 3 1/8" | 1 3/8" c x 3 1/8" cable tie |
| 44 | 2.00 | MS-CA0005 | Cable assemblé 3/8" x 65" | 3/8" x 65" cable assembly |
| 47 | 2.00 | BT-FW34 | Rondelle plate 3/4" | Flat washer 3/4" |
| 48 | 1.00 | AU-S1022C | Mamelon court 3/8"mnpt x 3/8"mnpt céd.80 pl | Close nipple 3/8"mnpt x 3/8"mnpt ced.80 pl |
| 49 | 4.00 | MO-951586 | Adapt. coudé 3/4-16morb x 3/8"pfnpt céd.80 pl | Elbow adapt. 3/4-16morb x 3/8"pfnpt ced.80 pl |
| 50 | 1.00 | CA-FT03NPT | Vanne à aiguille 2v 3/8"fnpt, plaqué | Needle valve 2v 3/8"fnpt, plated |
| 51 | 2.00 | MS-AC2X3R | Autocollant bande réfléchissante rouge 2" x 3" | Red sticker 2" x 3" |
| 52 | 2.00 | MS-AC2X3J | Autocollant bande réfléchissante jaune 1" x 3" | Yellow sticker 1"x 3" |

**PULVÉRISATEUR MS**

Div. de RAD Technologies Inc.

4300 rue Vachon, Drummondville QC J2B 6V4, Canada

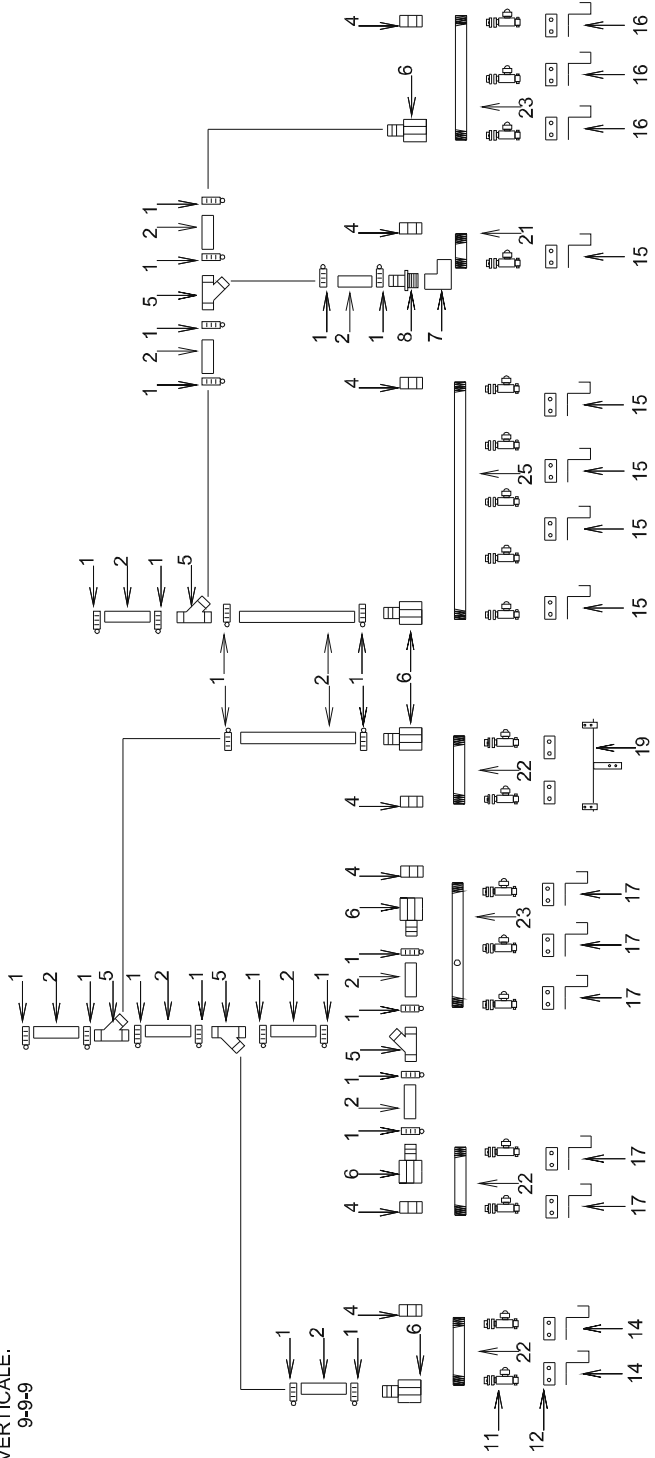
Tél.: 819-474-1910 Fax: 819-474-5317 sales@msspray.com

BOM**RE-BRHV60R10****REVISION****0**Desc. Française **Bâti de rampe hyd. 60', HV**English Desc. **60' hv frame hyd. boom**

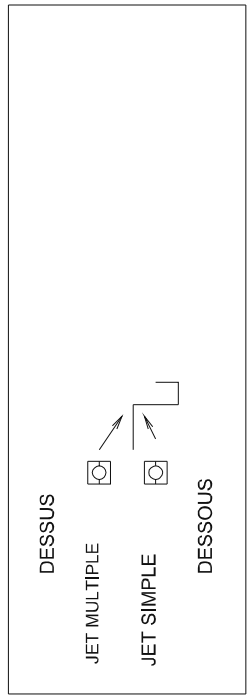
| Réf. | Quantité | Produit | Description française | English Description |
|------|----------|---------------|---|--|
| 1 | 1.00 | AR520-HV050B | Interface, trapeze, Rampe HV050 / HV060 avec glissière | Interface, trapeze, HV050 / HV060 Boom with slider |
| 2 | 2.00 | SN-RB115 | Bumper rubber 5/8" x 1 1/2" | Rubber bumper 5/8" x 1 1/2" |
| 3 | 2.00 | MO-DD119509 | Clip cable acier 3/8 | Clip/steel cable 3/8 |
| 5 | 2.00 | MS-F95715 | Ressort 22" x 2" x 3/8" | 22" x 2" x 3/8" spring |
| 6 | 2.00 | MS-BRH15L | Attache de tige filetée rh15m | Fastenning bushing / rod rh15m |
| 7 | 6.00 | BT-LN34 | Écrou freiné nylon 3/4 unc | Locknut nylon 3/4 unc |
| 9 | 2.00 | MS-TF34578 | Tige filete 3/4 nc 5 7/8" long | Threaded shaft 3/4 nc 5 7/8". |
| 10 | 2.00 | MS-BRH15F | Pivot 1ere extension rh15m | 1st extension pin rh15m |
| 11 | 2.00 | MS-CA0004 | Cable assemblé 3/8" x 175" | 3/8" x 175" cable assembly |
| 12 | 1.00 | MS-BRHV18A2R2 | Bâti centre rampe 60' | 60' Boom center frame |
| 13 | 4.00 | MS-FC0003 | Attache 1 3/8" c x 3 1/8" | 1 3/8" c x 3 1/8" cable tie |
| 15 | 2.00 | MS-BRHV18B3R2 | Bâti 1e ext. rampe hyd. 60' | 60' hyd. boom 1st extension |
| 16 | 2.00 | MS-FR0033 | Poulie 3" x 1 3/8" droite | 3" x 1 3/8" straight pulley |
| 17 | 2.00 | MS-FR0034 | Poulie 3" x 1 3/8", rainuré | 3" x 1 3/8" grooved pulley |
| 18 | 7.00 | AU-DECGR25H | Autocollant graisser au 25 hres 1" x 2" | Decal "grease every 25h" |
| 19 | 4.00 | MS-BRH18Z | Plaque de h.m.w./stabilisation | Stabilisation plate (h.m.w.) |
| 20 | 2.00 | MS-BRH15V | Support derniere ext r50-60v | Last ext.support r50-60v |
| 21 | 3.00 | MO-HSR6610400 | Orifice 3/8"mnpt x 3/8"pfmpt. perce à 0.0400", ID noir | Restrictor 3/8x3/8 drill .0520" black mark |
| 22 | 4.00 | AU-ISN1064 | Raccord droit 3/8"mnpt x 1/4"hb céd.80 pl | Straight fitt. 3/8"mnpt x 1/4"hb ced.80 pl |
| 23 | 146.00 | FH-H14 | Boyau hydraulique 1/4", 1pli, 3000 lbs/po2 | Hyd. hose 1/4", 1 ply, 3000 psi |
| 24 | 2.00 | MI-645298R2 | Cylindre 2 1/2" x 20" x 1 1/8" nt, 3/4-16 forb.PSP seal *** | Cylinder 2 1/2" x 20" x 1 1/8" nt, 3/4-16 orb.PSP seal |
| 26 | 4.00 | MO-80104 | Qc à bille fermé hyd. mâle 1/2" x 1/2"fnpt pl*** | Close ball coupler male 1/2" x 1/2"fnpt pl*** |
| 27 | 1.00 | MS-BRHV60BJ | Barre support de porte buse 1 1/2" x 144" | Nozzle supporting bar |
| 28 | 2.00 | MS-BRHV50FJ | Fixation de bar de porte buse | Nozzles support brace |
| 29 | 2.00 | MS-F42790 | Ressort 6" x 1 3/4" x 3/8" | 6" x 1 3/4" x 3/8" spring |
| 30 | 2.00 | MS-BRHV18CH29 | Chaine retenue 29"/ressort r.v | Restraining chaine 29" |
| 31 | 2.00 | MS-BRHV18C3 | 1e partie 2e ext. 60' vertical | 1st part 2nd ext. 60' vertical |
| 32 | 2.00 | MS-FR0017 | Gond 3/4" x 15 1/2", filet | Threaded 3/4" x 15 1/2" hinge |
| 33 | 2.00 | MS-BRH15E5 | 2e part. 2e ext. r. verticale | 2nd part 2nd ext. verti. boom |
| 34 | 2.00 | MS-PAEXT03 | Patin d'ext. rampe hyd. | Hyd. boom ext. skate |
| 35 | 4.00 | MS-BRHV18H | Bague 1" x 5/8" x 3" | 1" x 5/8" x 3" Bushing |
| 36 | 2.00 | MS-BRH18D | Emprise de stabilisation r18m | Stabilisation attachement r18m |
| 37 | 8.00 | AU-IS4SCF | Ferrule 1/4" céd.80 pl. | Ferrule 1/4" ced.80 pl. |
| 38 | 4.00 | AU-ISN1084 | Raccord droit 1/2"mnpt x 1/4"hb céd.80 pl | Straight fitt. 1/2"mnpt x 1/4"hb ced.80 pl |
| 40 | 2.00 | MS-BRH15S | Plaque de h.m.w. / fermeture | H.m.w. plate / boom closing |
| 41 | 2.00 | MS-BRH15R | Bague 1" x 0.625" x 1 3/8" | 1" x 0.625" x 1 3/8" Bushing |
| 44 | 2.00 | MS-CA0007 | Cable assemblé 3/8" x 80" | 3/8" x 80" cable assembly |
| 47 | 2.00 | BT-FW34 | Rondelle plate 3/4" | Flat washer 3/4" |
| 48 | 1.00 | AU-S1022C | Mamelon court 3/8"mnpt x 3/8"mnpt céd.80 pl | Close nipple 3/8"mnpt x 3/8"mnpt ced.80 pl |
| 49 | 4.00 | MO-951586 | Adapt. coudé 3/4-16morb x 3/8"pfmpt céd.80 pl | Elbow adapt. 3/4-16morb x 3/8"pfmpt ced.80 pl |
| 50 | 1.00 | CA-FT03NPT | Vanne à aiguille 2v 3/8"fnpt, plaqué | Needle valve 2v 3/8"fnpt, plated |
| 51 | 2.00 | MS-AC2X3J | Autocollant bande réfléchissante jaune 1" x 3" | Yellow sticker 1"x 3" |
| 52 | 2.00 | MS-AC2X3R | Autocollant bande réfléchissante rouge 2" x 3" | Red sticker 2" x 3" |

RAMPE 45' HV, PLOMBERIE EAU 3 SECTIONS 45' HV BOOM, WATER PLUMBING 3 SECTION

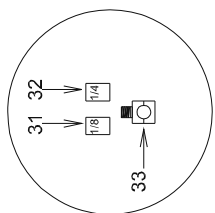
45' HYDRAULIQUE
VERTICALE.
9-9-8



SUPPORTS DE TUBES



* POUR LECTURE DE PRESSION



| | |
|---------------------------------|--------------|
| PULVÉRISATEUR MS Inc. | |
| MS SPRAYER Inc. | |
| IPULVAGIRAMPEPLOMB-EAUIPE3R45V8 | |
| DATE: 1998-09-09 | PAR/By: G.L. |
| REV: 2003-01-13 | PAR/By: P.B. |
| # REC.: RE-PE3R45V8 | #REV: 3 |
| RE-PE3R45QV8 | |
| | APP: |

**PULVÉRISATEUR MS**

Div. de RAD Technologies Inc.

4300 rue Vachon, Drummondville QC J2B 6V4, Canada

Tél.: 819-474-1910 Fax: 819-474-5317 sales@msspray.com

BOM**RE-PE5R45V8****REVISION****2**Desc. Française **Plomb. eau 5 sect., 45' HV 27 buses aux 20"**English Desc. **5 sect. water plumb., 45' HV 27 noz. at 20"**

| Réf. | Quantité | Produit | Description française | English Description |
|------|----------|---------------|---|--|
| 1 | 30.00 | DA-SHAS12 | Collier de serrage en acier inox. 9/16" x 1 1/4" | Stainless steel collar 9/16" x 1 1/4" |
| 2 | 120.00 | LV-342N | Boyau noir, 3/4", 150 lb/po2, caoutchouc 1 pli | Black hose 3/4", 1 ply, 150 psi |
| 4 | 10.00 | MP-402909 | Bouchon 1/4 tour avec gasket | Black cap plug / gasket |
| 4 | 10.00 | AU-8294022 | Adaptateur 3/4"fbsp x capuchon vissé mâle | Adapt.3/4"fbsp x male twist cap |
| 5 | 5.00 | AU-Y34 | Raccord-union en Y 3/4"hb poly.bleu | Poly.y-3/4" hb,bleu |
| 6 | 10.00 | JB-IMB0606FNY | Adapt. droit 3/4"fnpt x 3/4"hb céd.80 ny. | Straight adapt. 3/4"fnpt x 3/4"hb ced.80 ny. |
| 11 | 27.00 | JB-QJ1756034 | Support de buse simple 3/4" | Nylon jet support 3/4" |
| 12 | 24.00 | AU-3254PP | Support de tuyau (la paire) 3/4", 1"od. poly noir | Poly.clamp 3/4", 1"t (pair) Black |
| 21 | 2.00 | MS-TU1 | Tube poly. 3/4" x 5 1/4", 1 trou | Poly tube 3/4" x 6", 1 hole |
| 22 | 3.00 | MS-TU220 | Tube poly. 3/4" x 22 1/2", 2 trous 20" | Poly. tube 3/4" x 24", 2 holes 20" |
| 23 | 3.00 | MS-TU320 | Tube poly. 3/4" x 42 1/2", 3 trous 20" | Poly. tube 3/4" x 42 1/2", 3 holes 20" |
| 25 | 2.00 | MS-TU520 | Tube poly. 3/4" x 82 1/2", 5 trous 20" | Poly. tube 3/4" x 84", 5 holes 20" |
| 51 | 6.00 | BT-14212 | Boulon 1/4 x 2 1/2" nc plaqué | Bolt 1/4 x 2 1/2" nc plated |
| 51 | 6.00 | BT-FW14 | Rondelle plate 1/4" | Flat washer 1/4" |
| 51 | 6.00 | BT-LN14 | Écrou freiné nylon 1/4 unc | Nylon 1/4" lock nut unc |
| 51 | 6.00 | MS-SJT151 | Sup. jet tube 1 1/2" x 1" | Jet support for 1.5" x 1" tube |
| 51 | 6.00 | BT-FW14 | Rondelle plate 1/4" | Flat washer 1/4" |
| 54 | 14.00 | MS-SJT15C | Sup. jet tube 1 1/2" x 1 1/2" | Jet support for 1 1/2" squ. tu. |
| 54 | 14.00 | BT-14212 | Boulon 1/4 x 2 1/2" nc plaqué | Bolt 1/4 x 2 1/2" nc plated |
| 54 | 14.00 | BT-FW14 | Rondelle plate 1/4" | Flat washer 1/4" |
| 54 | 14.00 | BT-FW14 | Rondelle plate 1/4" | Flat washer 1/4" |
| 54 | 14.00 | BT-LN14 | Écrou freiné nylon 1/4 unc | Nylon 1/4" lock nut unc |
| 55 | 2.00 | BT-LN14 | Écrou freiné nylon 1/4 unc | Nylon 1/4" lock nut unc |
| 55 | 2.00 | MS-SJT15CL | Sup. jet tube long 1 1/2" x 1 1/2" | Long jet sup. for 1.5" squa.tu |
| 55 | 2.00 | BT-14212 | Boulon 1/4 x 2 1/2" nc plaqué | Bolt 1/4 x 2 1/2" nc plated |
| 55 | 2.00 | BT-FW14 | Rondelle plate 1/4" | Flat washer 1/4" |
| 55 | 2.00 | BT-FW14 | Rondelle plate 1/4" | Flat washer 1/4" |
| 70 | 2.00 | MS-SBECRA | Support sur rampe pour porte buse | Boom bracket for nozzle bodies |
| 70 | 1.00 | MS-SBEE | Support boyau elargie extension | Boom extension bracket |
| 70 | 1.00 | AU-UB38112212 | Boulon en U, carré 3/8 x 1 1/2 x 2 1/2 | Sq u-bolt 3/8 x 1 1/2 x 2 1/2 |
| 70 | 1.00 | BT-LN38 | Écrou freiné nylon 3/8 unc | Locknut nylon 3/8 unc |

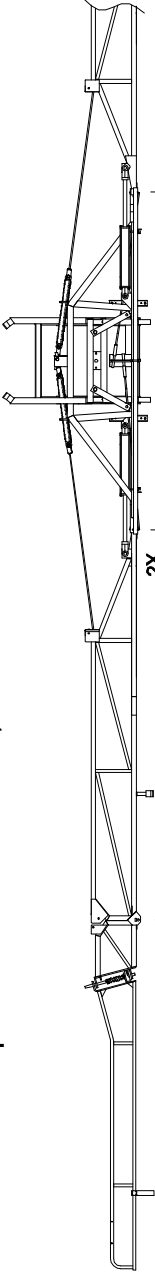
**PULVÉRISATEUR MS****Div. de RAD Technologies Inc.**

4300 rue Vachon, Drummondville QC J2B 6V4, Canada

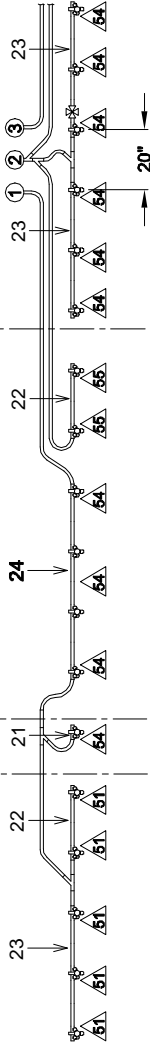
Tél.: 819-474-1910 Fax: 819-474-5317 sales@msspray.com**BOM****RE-PE3R45QV8****REVISION****1**Desc. Française **Plomb. eau 3 sect., 45' HV 27 buses mult. 20"**English Desc. **3 sect. water plumb., 45' HV 27 mult. noz. at 20"**

| Réf. | Quantité | Produit | Description française | English Description |
|------|----------|---------------|--|----------------------------------|
| 11 | 27.00 | JB-QJ36334NYB | Support de buse triple pour tuyau 3/4" | Triple nozzle body for 3/4" pipe |

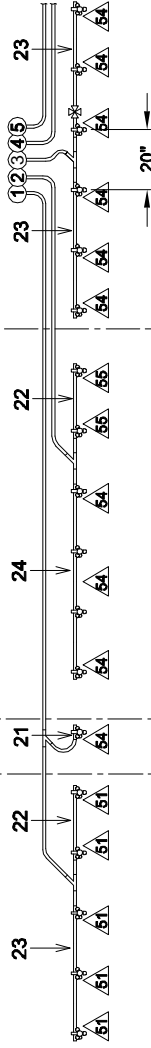
Plomb. 3 et 5 sect., 30 buses aux 20" pour rampe HV50
 Water plumb. 3 and 5 sect., 30 nozzles at 20" for 50'HV



RE-PE3R50V8
 3 Sections
 30: (10-10-10)



RE-PE5R50V8
 5 Sections
 30: (6-6-6-6-6)



| | | |
|---|--|---|
| <p>Légende Legend</p> | <p>No. de section de rampe Boom section number</p> <p>Exemple de montage d'un support de jet. Nozzle holder assembly example.</p> | <p>AU-BOYAU4MM MP-466350070</p> <p>4mm 1/8"</p> <p>Trou Ø3/8" Hole Ø3/8"</p> <p>AU-BOYAU18 JB-21736NY</p> <p>PULVÉRISATEUR MS Inc. MS SPRAYER Inc.</p> <p>PULVAGRAMPEPLOMB-EAUPER50V8</p> <p>DATE: 2004-10-12</p> <p>REV: 2004-10-18</p> <p># REC.: RE-PE3R50V8</p> <p>RE-PE5R50V8</p> <p>APP: <i>[Signature]</i></p> |
| <p>Support de jet (déporté) Nozzle support (offset)</p> | <p>Jets multiples Multiple nozzles</p> <p>Jets simple Single nozzles</p> <p>Bâti de rampe Boom frame</p> | <p>PAR/By: E.L.</p> <p>PAR/By: E.L.</p> <p>#REV: 1</p> |



PULVÉRISATEUR MS
 Div. de RAD Technologies Inc.
 4300 rue Vachon, Drummondville QC J2B 6V4, Canada
 Tél.: 819-474-1910 Fax: 819-474-5317 sales@msspray.com

BOM

RE-PE3R50V8

REVISION

4

Desc. Française **Plomb. eau 3 sect., 50' HV 30 buses aux 20"**

English Desc. **3 sect. water plumb., 50' HV 30 noz. at 20"**

| Réf. | Quantité | Produit | Description française | English Description |
|------|----------|---------------|---|--|
| 1 | 38.00 | DA-SHAS12 | Collier de serrage en acier inox. 9/16" x 1 1/4" | Stainless steel collar 9/16" x 1 1/4" |
| 2 | 120.00 | LV-342N | Boyau noir, 3/4", 150 lb/po2, caoutchouc 1 pli | Black hose 3/4", 1 ply, 150 psi |
| 4 | 10.00 | MP-402909 | Bouchon 1/4 tour avec gasket | Black cap plug / gasket |
| 4 | 10.00 | AU-8294022 | Adaptateur 3/4"fbsp x capuchon vissé mâle | Adapt.3/4"fbsp x male twist cap |
| 5 | 7.00 | AU-Y34 | Raccord-union en Y 3/4"hb poly.bleu | Poly.y-3/4" hb,bleu |
| 6 | 14.00 | JB-IMB0606FNY | Adapt. droit 3/4"fnpt x 3/4"hb céd.80 ny. | Straight adapt. 3/4"fnpt x 3/4"hb ced.80 ny. |
| 11 | 30.00 | JB-QJ1756034 | Support de buse simple 3/4" | Nylon jet support 3/4" |
| 12 | 28.00 | AU-3254PP | Support de tuyau (la paire) 3/4", 1"od. poly noir | Poly.clamp 3/4", 1"t (pair) Black |
| 21 | 2.00 | MS-TU1 | Tube poly. 3/4" x 5 1/4", 1 trou | Poly tube 3/4" x 6", 1 hole |
| 22 | 4.00 | MS-TU220 | Tube poly. 3/4" x 22 1/2", 2 trous 20" | Poly. tube 3/4" x 24", 2 holes 20" |
| 23 | 4.00 | MS-TU320 | Tube poly. 3/4" x 42 1/2", 3 trous 20" | Poly. tube 3/4" x 42 1/2", 3 holes 20" |
| 24 | 2.00 | MS-TU420 | Tube poly. 3/4" x 62 1/2", 4 trous 20" | Poly. tube 3/4" x 64", 4 holes 20" |
| 51 | 10.00 | BT-LN14 | Écrou freiné nylon 1/4 unc | Nylon 1/4" lock nut unc |
| 51 | 10.00 | MS-SJT151 | Sup. jet tube 1 1/2" x 1" | Jet support for 1.5" x 1" tube |
| 51 | 20.00 | BT-FW14 | Rondelle plate 1/4" | Flat washer 1/4" |
| 51 | 10.00 | BT-14212 | Boulon 1/4 x 2 1/2" nc plaqué | Bolt 1/4 x 2 1/2" nc plated |
| 54 | 28.00 | BT-FW14 | Rondelle plate 1/4" | Flat washer 1/4" |
| 54 | 14.00 | MS-SJT15C | Sup. jet tube 1 1/2" x 1 1/2" | Jet support for 1 1/2" squ. tu. |
| 54 | 14.00 | BT-14212 | Boulon 1/4 x 2 1/2" nc plaqué | Bolt 1/4 x 2 1/2" nc plated |
| 54 | 14.00 | BT-LN14 | Écrou freiné nylon 1/4 unc | Nylon 1/4" lock nut unc |
| 55 | 4.00 | BT-14212 | Boulon 1/4 x 2 1/2" nc plaqué | Bolt 1/4 x 2 1/2" nc plated |
| 55 | 4.00 | MS-SJT15CL | Sup. jet tube long 1 1/2" x 1 1/2" | Long jet sup. for 1.5" squa.tu |
| 55 | 8.00 | BT-FW14 | Rondelle plate 1/4" | Flat washer 1/4" |
| 55 | 4.00 | BT-LN14 | Écrou freiné nylon 1/4 unc | Nylon 1/4" lock nut unc |

**PULVÉRISATEUR MS**

Div. de RAD Technologies Inc.

4300 rue Vachon, Drummondville QC J2B 6V4, Canada

Tél.: 819-474-1910 Fax: 819-474-5317 sales@msspray.com

BOM**RE-PE5R50V8****REVISION****3**Desc. Française **Plomb. eau 5 sect., 50' HV 30 buses aux 20"**English Desc. **5 sect. water plumb., 50' HV 30 noz. at 20"**

| Réf. | Quantité | Produit | Description française | English Description |
|------|----------|---------------|---|--|
| 1 | 38.00 | DA-SHAS12 | Collier de serrage en acier inox. 9/16" x 1 1/4" | Stainless steel collar 9/16" x 1 1/4" |
| 2 | 120.00 | LV-342N | Boyau noir, 3/4", 150 lb/po2, caoutchouc 1 pli | Black hose 3/4", 1 ply, 150 psi |
| 4 | 12.00 | MP-402909 | Bouchon 1/4 tour avec gasket | Black cap plug / gasket |
| 4 | 12.00 | AU-8294022 | Adaptateur 3/4"fbsp x capuchon vissé mâle | Adapt.3/4"fbsp x male twist cap |
| 5 | 7.00 | AU-Y34 | Raccord-union en Y 3/4"hb poly.bleu | Poly.y-3/4" hb,bleu |
| 6 | 12.00 | JB-IMB0606FNY | Adapt. droit 3/4"fnpt x 3/4"hb céd.80 ny. | Straight adapt. 3/4"fnpt x 3/4"hb ced.80 ny. |
| 11 | 30.00 | JB-QJ1756034 | Support de buse simple 3/4" | Nylon jet support 3/4" |
| 12 | 28.00 | AU-3254PP | Support de tuyau (la paire) 3/4", 1"od. poly noir | Poly.clamp 3/4", 1"t (pair) Black |
| 21 | 2.00 | MS-TU1 | Tube poly. 3/4" x 5 1/4", 1 trou | Poly tube 3/4" x 6", 1 hole |
| 22 | 4.00 | MS-TU220 | Tube poly. 3/4" x 22 1/2", 2 trous 20" | Poly. tube 3/4" x 24", 2 holes 20" |
| 23 | 4.00 | MS-TU320 | Tube poly. 3/4" x 42 1/2", 3 trous 20" | Poly. tube 3/4" x 42 1/2", 3 holes 20" |
| 24 | 2.00 | MS-TU420 | Tube poly. 3/4" x 62 1/2", 4 trous 20" | Poly. tube 3/4" x 64", 4 holes 20" |
| 51 | 10.00 | MS-SJT151 | Sup. jet tube 1 1/2" x 1" | Jet support for 1.5" x 1" tube |
| 51 | 10.00 | BT-FW14 | Rondelle plate 1/4" | Flat washer 1/4" |
| 51 | 10.00 | BT-14212 | Boulon 1/4 x 2 1/2" nc plaqué | Bolt 1/4 x 2 1/2" nc plated |
| 51 | 10.00 | BT-FW14 | Rondelle plate 1/4" | Flat washer 1/4" |
| 51 | 10.00 | BT-LN14 | Écrou freiné nylon 1/4 unc | Nylon 1/4" lock nut unc |
| 54 | 14.00 | MS-SJT15C | Sup. jet tube 1 1/2" x 1 1/2" | Jet support for 1 1/2" squ. tu. |
| 54 | 14.00 | BT-14212 | Boulon 1/4 x 2 1/2" nc plaqué | Bolt 1/4 x 2 1/2" nc plated |
| 54 | 14.00 | BT-FW14 | Rondelle plate 1/4" | Flat washer 1/4" |
| 54 | 14.00 | BT-LN14 | Écrou freiné nylon 1/4 unc | Nylon 1/4" lock nut unc |
| 54 | 14.00 | BT-FW14 | Rondelle plate 1/4" | Flat washer 1/4" |
| 55 | 4.00 | MS-SJT15CL | Sup. jet tube long 1 1/2" x 1 1/2" | Long jet sup. for 1.5" squa.tu |
| 55 | 4.00 | BT-14212 | Boulon 1/4 x 2 1/2" nc plaqué | Bolt 1/4 x 2 1/2" nc plated |
| 55 | 4.00 | BT-FW14 | Rondelle plate 1/4" | Flat washer 1/4" |
| 55 | 4.00 | BT-FW14 | Rondelle plate 1/4" | Flat washer 1/4" |
| 55 | 4.00 | BT-LN14 | Écrou freiné nylon 1/4 unc | Nylon 1/4" lock nut unc |



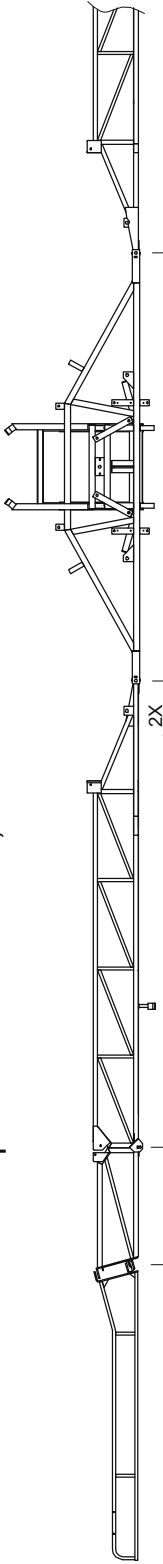
PULVÉRISATEUR MS
Div. de RAD Technologies Inc.
4300 rue Vachon, Drummondville QC J2B 6V4, Canada
Tél.: 819-474-1910 Fax: 819-474-5317 sales@msspray.com

| | |
|-----------------|---------------------|
| BOM | RE-PE3R50QV8 |
| REVISION | 1 |

Desc. Française **Plomb. eau 3 sect., 50' HV 30 buses mult. 20"**
English Desc. **3 sect. water plumb., 50' HV 30 mult. noz. at 20"**

| Réf. | Quantité | Produit | Description française | English Description |
|------|----------|---------------|--|----------------------------------|
| 11 | 30.00 | JB-QJ36334NYB | Support de buse triple pour tuyau 3/4" | Triple nozzle body for 3/4" pipe |

Plomb. 3 et 5 sect., 36 buses aux 20" pour rampe HV60
 Water plumb. 3 and 5 sect., 36 nozzles at 20" for 60'HV



| | | | | |
|---|---|---|---|---|
| <p>RE-PE3R60V8 3 Sections 36: (12-12-12)</p> | <p>RE-PE5R60V8 5 Sections 36: (7-7-8-7-7)</p> | <p>RE-PE3R60V8 3 Sections 36: (12-12-12)</p> | <p>RE-PE5R60V8 5 Sections 36: (7-7-8-7-7)</p> | <p>RE-PE3R60V8 3 Sections 36: (12-12-12)</p> |
| <p>Légende Legend</p> | <p>Support de jet (déporté) Nozzle support (offset)</p> | <p>Support de jet (déporté) Nozzle support (offset)</p> | <p>Support de jet (déporté) Nozzle support (offset)</p> | <p>Support de jet (déporté) Nozzle support (offset)</p> |
| <p>No. de section de rampe Boom section number</p> <p>Lecture de pression Pressure reading</p> | <p>Exemple de montage d'un support de jet. Nozzle holder assembly exemple.</p> <p>Jets multiples Multiples nozzles</p> <p>Jets simple Single nozzles</p> <p>Bâti de rampe Boom frame</p> | <p>Exemple de montage d'un support de jet. Nozzle holder assembly exemple.</p> <p>Jets multiples Multiples nozzles</p> <p>Jets simple Single nozzles</p> <p>Bâti de rampe Boom frame</p> | <p>Exemple de montage d'un support de jet. Nozzle holder assembly exemple.</p> <p>Jets multiples Multiples nozzles</p> <p>Jets simple Single nozzles</p> <p>Bâti de rampe Boom frame</p> | <p>Exemple de montage d'un support de jet. Nozzle holder assembly exemple.</p> <p>Jets multiples Multiples nozzles</p> <p>Jets simple Single nozzles</p> <p>Bâti de rampe Boom frame</p> |
| <p>AU-BOYAU4MM MP-466350070</p> <p>4mm 1/8"</p> <p>Trou Ø3/8" Hole Ø3/8"</p> <p>AU-BOYAU18 JB-21736NY</p> | <p>PULVÉRISATEUR MS Inc. MS SPRAYER Inc.</p> <p>(PULVAG)RAMPEPLOMB-EAUPER60V8</p> <p>DATE: 2004-06-09</p> <p>REV: 2004-10-18</p> <p># REC.: RE-PE3R60V8</p> <p>RE-PE5R60V8</p> | <p>PAR: E.L.</p> <p>PAR: E.L.</p> <p>#REV: 1</p> | <p>APP: </p> | <p>APP: </p> |

**PULVÉRISATEUR MS**

Div. de RAD Technologies Inc.

4300 rue Vachon, Drummondville QC J2B 6V4, Canada

Tél.: 819-474-1910 Fax: 819-474-5317 sales@msspray.com

BOM**RE-PE3R60V8****REVISION****3**Desc. Française **Plomb. eau 3 sect., 60' HV 36 buses aux 20"**English Desc. **3 sect. water plumb., 60' HV 36 noz. at 20"**

| Réf. | Quantité | Produit | Description française | English Description |
|------|----------|---------------|---|--|
| 1 | 38.00 | DA-SHAS12 | Collier de serrage en acier inox. 9/16" x 1 1/4" | Stainless steel collar 9/16" x 1 1/4" |
| 2 | 130.00 | LV-342N | Boyau noir, 3/4", 150 lb/po2, caoutchouc 1 pli | Black hose 3/4", 1 ply, 150 psi |
| 4 | 10.00 | AU-8294022 | Adaptateur 3/4"fbsp x capuchon vissé mâle | Adapt.3/4"fbsp x male twist cap |
| 4 | 10.00 | MP-402909 | Bouchon 1/4 tour avec gasket | Black cap plug / gasket |
| 5 | 7.00 | AU-Y34 | Raccord-union en Y 3/4"hb poly.bleu | Poly.y-3/4" hb,bleu |
| 6 | 14.00 | JB-IMB0606FNY | Adapt. droit 3/4"fnpt x 3/4"hb céd.80 ny. | Straight adapt. 3/4"fnpt x 3/4"hb ced.80 ny. |
| 11 | 36.00 | JB-QJ1756034 | Support de buse simple 3/4" | Nylon jet support 3/4 |
| 12 | 32.00 | AU-3254PP | Support de tuyau (la paire) 3/4", 1"od. poly noir | Poly.clamp 3/4", 1"t (pair) Black |
| 22 | 6.00 | MS-TU220 | Tube poly. 3/4" x 22 1/2", 2 trous 20" | Poly. tube 3/4" x 24", 2 holes 20" |
| 23 | 2.00 | MS-TU320 | Tube poly. 3/4" x 42 1/2", 3 trous 20" | Poly. tube 3/4" x 42 1/2", 3 holes 20" |
| 24 | 2.00 | MS-TU420 | Tube poly. 3/4" x 62 1/2", 4 trous 20" | Poly. tube 3/4" x 64", 4 holes 20" |
| 25 | 2.00 | MS-TU520 | Tube poly. 3/4" x 82 1/2", 5 trous 20" | Poly. tube 3/4" x 84", 5 holes 20" |
| 51 | 10.00 | BT-LN14 | Écrou freiné nylon 1/4 unc | Nylon 1/4" lock nut unc |
| 51 | 10.00 | BT-14212 | Boulon 1/4 x 2 1/2" nc plaqué | Bolt 1/4 x 2 1/2" nc plated |
| 51 | 10.00 | BT-FW14 | Rondelle plate 1/4" | Flat washer 1/4 |
| 51 | 10.00 | MS-SJT151 | Sup. jet tube 1 1/2" x 1" | Jet support for 1.5" x 1" tube |
| 51 | 10.00 | BT-FW14 | Rondelle plate 1/4" | Flat washer 1/4 |
| 54 | 18.00 | MS-SJT15C | Sup. jet tube 1 1/2" x 1 1/2" | Jet support for 1 1/2" squ. tu. |
| 54 | 18.00 | BT-14212 | Boulon 1/4 x 2 1/2" nc plaqué | Bolt 1/4 x 2 1/2" nc plated |
| 54 | 18.00 | BT-FW14 | Rondelle plate 1/4" | Flat washer 1/4 |
| 54 | 18.00 | BT-FW14 | Rondelle plate 1/4" | Flat washer 1/4 |
| 54 | 18.00 | BT-LN14 | Écrou freiné nylon 1/4 unc | Nylon 1/4" lock nut unc |
| 55 | 2.00 | MS-SJT15CL | Sup. jet tube long 1 1/2" x 1 1/2" | Long jet sup. for 1.5" squa.tu |
| 55 | 2.00 | BT-14212 | Boulon 1/4 x 2 1/2" nc plaqué | Bolt 1/4 x 2 1/2" nc plated |
| 55 | 2.00 | BT-FW14 | Rondelle plate 1/4" | Flat washer 1/4 |
| 55 | 2.00 | BT-FW14 | Rondelle plate 1/4" | Flat washer 1/4 |
| 55 | 2.00 | BT-LN14 | Écrou freiné nylon 1/4 unc | Nylon 1/4" lock nut unc |
| 70 | 1.00 | AU-UB14112214 | Boulon en U, carré 1/4 x 1 1/2 x 2 1/4 | Sq u-bolt 1/4 x 1 1/2 |
| 70 | 1.00 | MS-SBEE | Support boyau elargie extension | Boom extension bracket |
| 70 | 2.00 | MS-SBECRA | Support sur rampe pour porte buse | Boom bracket for nozzle bodies |
| 70 | 2.00 | BT-FW14 | Rondelle plate 1/4" | Flat washer 1/4 |
| 70 | 2.00 | BT-LN14 | Écrou freiné nylon 1/4 unc | Nylon 1/4" lock nut unc |
| 70 | 2.00 | BT-1434 | Boulon 1/4 x 3/4" nc | Bolt 1/4 x 3/4" nc |
| 70 | 2.00 | BT-LN14 | Écrou freiné nylon 1/4 unc | Nylon 1/4" lock nut unc |

**PULVÉRISATEUR MS**

Div. de RAD Technologies Inc.

4300 rue Vachon, Drummondville QC J2B 6V4, Canada

Tél.: 819-474-1910 Fax: 819-474-5317 sales@msspray.com

BOM**RE-PE5R60V8****REVISION****4**Desc. Française **Plomb. eau 5 sect., 60' HV 36 buses aux 20"**English Desc. **5 sect. water plumb., 60' HV 36 noz. at 20"**

| Réf. | Quantité | Produit | Description française | English Description |
|------|----------|---------------|---|--|
| 1 | 38.00 | DA-SHAS12 | Collier de serrage en acier inox. 9/16" x 1 1/4" | Stainless steel collar 9/16" x 1 1/4" |
| 2 | 173.00 | LV-342N | Boyau noir, 3/4", 150 lb/po2, caoutchouc 1 pli | Black hose 3/4", 1 ply, 150 psi |
| 4 | 12.00 | MP-402909 | Bouchon 1/4 tour avec gasket | Black cap plug / gasket |
| 4 | 12.00 | AU-8294022 | Adaptateur 3/4"fbsp x capuchon vissé mâle | Adapt.3/4"fbsp x male twist cap |
| 5 | 7.00 | AU-Y34 | Raccord-union en Y 3/4"hb poly.bleu | Poly.y-3/4" hb,bleu |
| 6 | 12.00 | JB-IMB0606FNY | Adapt. droit 3/4"fnpt x 3/4"hb céd.80 ny. | Straight adapt. 3/4"fnpt x 3/4"hb ced.80 ny. |
| 11 | 36.00 | JB-QJ1756034 | Support de buse simple 3/4" | Nylon jet support 3/4" |
| 12 | 32.00 | AU-3254PP | Support de tuyau (la paire) 3/4", 1"od. poly noir | Poly.clamp 3/4", 1"t (pair) Black |
| 22 | 6.00 | MS-TU220 | Tube poly. 3/4" x 22 1/2", 2 trous 20" | Poly. tube 3/4" x 24", 2 holes 20" |
| 23 | 2.00 | MS-TU320 | Tube poly. 3/4" x 42 1/2", 3 trous 20" | Poly. tube 3/4" x 42 1/2", 3 holes 20" |
| 24 | 2.00 | MS-TU420 | Tube poly. 3/4" x 62 1/2", 4 trous 20" | Poly. tube 3/4" x 64", 4 holes 20" |
| 25 | 2.00 | MS-TU520 | Tube poly. 3/4" x 82 1/2", 5 trous 20" | Poly. tube 3/4" x 84", 5 holes 20" |
| 51 | 10.00 | BT-LN14 | Écrou freiné nylon 1/4 unc | Nylon 1/4" lock nut unc |
| 51 | 10.00 | BT-14212 | Boulon 1/4 x 2 1/2" nc plaqué | Bolt 1/4 x 2 1/2" nc plated |
| 51 | 10.00 | BT-FW14 | Rondelle plate 1/4" | Flat washer 1/4" |
| 51 | 10.00 | MS-SJT151 | Sup. jet tube 1 1/2" x 1" | Jet support for 1.5" x 1" tube |
| 51 | 10.00 | BT-FW14 | Rondelle plate 1/4" | Flat washer 1/4" |
| 54 | 18.00 | MS-SJT15C | Sup. jet tube 1 1/2" x 1 1/2" | Jet support for 1 1/2" squ. tu. |
| 54 | 18.00 | BT-14212 | Boulon 1/4 x 2 1/2" nc plaqué | Bolt 1/4 x 2 1/2" nc plated |
| 54 | 18.00 | BT-LN14 | Écrou freiné nylon 1/4 unc | Nylon 1/4" lock nut unc |
| 54 | 18.00 | BT-FW14 | Rondelle plate 1/4" | Flat washer 1/4" |
| 54 | 18.00 | BT-FW14 | Rondelle plate 1/4" | Flat washer 1/4" |
| 55 | 2.00 | BT-14212 | Boulon 1/4 x 2 1/2" nc plaqué | Bolt 1/4 x 2 1/2" nc plated |
| 55 | 2.00 | BT-FW14 | Rondelle plate 1/4" | Flat washer 1/4" |
| 55 | 2.00 | BT-FW14 | Rondelle plate 1/4" | Flat washer 1/4" |
| 55 | 2.00 | BT-LN14 | Écrou freiné nylon 1/4 unc | Nylon 1/4" lock nut unc |
| 55 | 2.00 | MS-SJT15CL | Sup. jet tube long 1 1/2" x 1 1/2" | Long jet sup. for 1.5" squa.tu |
| 70 | 2.00 | AU-UB14112214 | Boulon en U, carré 1/4 x 1 1/2 x 2 1/4 | Sq u-bolt 1/4 x 1 1/2 |
| 70 | 2.00 | BT-LN14 | Écrou freiné nylon 1/4 unc | Nylon 1/4" lock nut unc |
| 70 | 2.00 | BT-1434 | Boulon 1/4 x 3/4" nc | Bolt 1/4 x 3/4" nc |
| 70 | 2.00 | BT-LN14 | Écrou freiné nylon 1/4 unc | Nylon 1/4" lock nut unc |
| 70 | 1.00 | MS-SBEE | Support boyau elargie extension | Boom extension bracket |
| 70 | 2.00 | MS-SBECRA | Support sur rampe pour porte buse | Boom bracket for nozzle bodies |
| 70 | 2.00 | BT-FW14 | Rondelle plate 1/4" | Flat washer 1/4" |



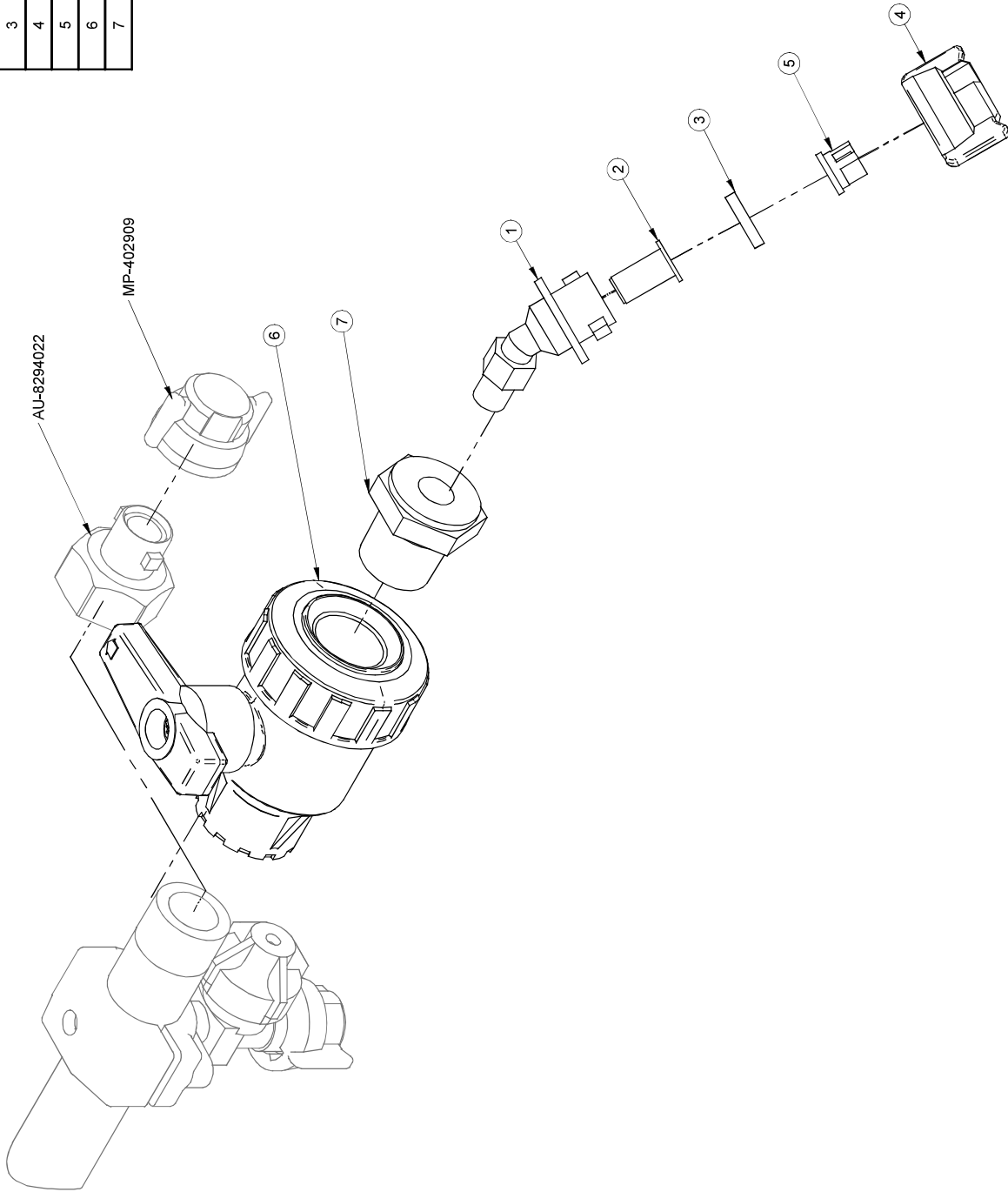
PULVÉRISATEUR MS
Div. de RAD Technologies Inc.
4300 rue Vachon, Drummondville QC J2B 6V4, Canada
Tél.: 819-474-1910 Fax: 819-474-5317 sales@msspray.com

| | |
|-----------------|---------------------|
| BOM | RE-PE3R60QV8 |
| REVISION | 1 |

Desc. Française **Plomb. eau 3 sect., 60' HV 36 buses mult. 20"**
English Desc. **3 sect. water plumb., 60' HV 36 mult. noz. at 20"**

| Réf. | Quantité | Produit | Description française | English Description |
|------|----------|---------------|--|----------------------------------|
| 11 | 36.00 | JB-QJ36334NYB | Support de buse triple pour tuyau 3/4" | Triple nozzle body for 3/4" pipe |

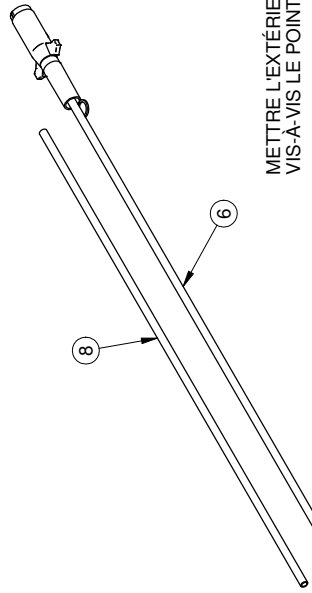
| # | Ref. | Q. |
|---|---------------|----|
| 1 | JB-2267414NYB | 1 |
| 2 | JB-4193APP50 | 1 |
| 3 | JB-CP19438EPR | 1 |
| 4 | JB-CP256075NY | 1 |
| 5 | JB-OC16 | 1 |
| 6 | MP-S301250PP | 1 |
| 7 | JB-RB3414NY40 | 1 |



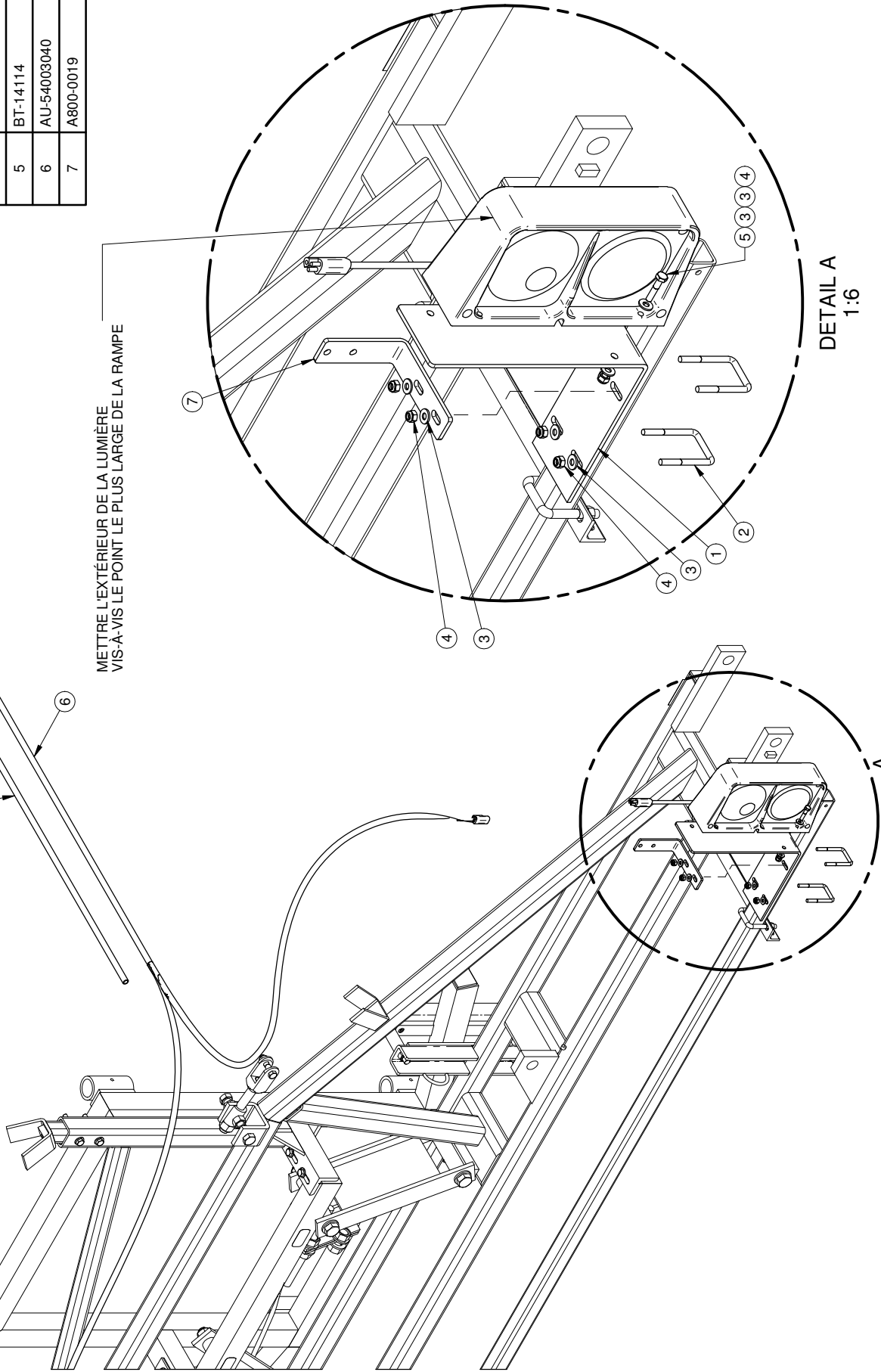
| | | |
|------------|----------------|------------|
| 2008/12/10 | AR800-0004.asm | Pg:1-1 |
| | Rev. 0 | AR800-0004 |
| | AR800-0004.dft | |

| # | REF. | Q. | L" |
|---|---------|----|-----|
| 8 | AU-1271 | 1 | 40" |

| # | REF. | Q. |
|---|---------------|----|
| 1 | GF-RS02Z39 | 2 |
| 2 | AU-UB14112214 | 4 |
| 3 | BT-FW14SS | 16 |
| 4 | BT-LN14SS | 12 |
| 5 | BT-14114 | 4 |
| 6 | AU-54003040 | 1 |
| 7 | A800-0019 | 2 |



METTRE L'EXTÉRIEUR DE LA LUMIÈRE.
VIS-À-VIS LE POINT LE PLUS LARGE DE LA RAMPE



DETAIL A
1:6

1- LES VALEURS SONT EN
POUCES SAUF SI SPECIFIÉ
UNITS ARE IN INCHES
UNLESS OTHERWISE SPECIFIED
2- TOLERANCES GÉNÉRALES
Frac.: ± 1/16"
X.X: ± 0.01"
X.XX: ± 0.01"
X.XXX: ± 0.005"



AVIS: l'information ci-incluse a été
fournie par le fabricant et n'est
pas une garantie de l'exactitude
des droits de propriété, licence,
marque, ou autre droit de propriété.
Commercialisation, fabrication et/ou
droits de reproduction, sans le
consentement écrit de MSG
M S GREGGSON, qui réserve all patent
rights in the design and/or
manufacture and/or reproduction
rights therein.

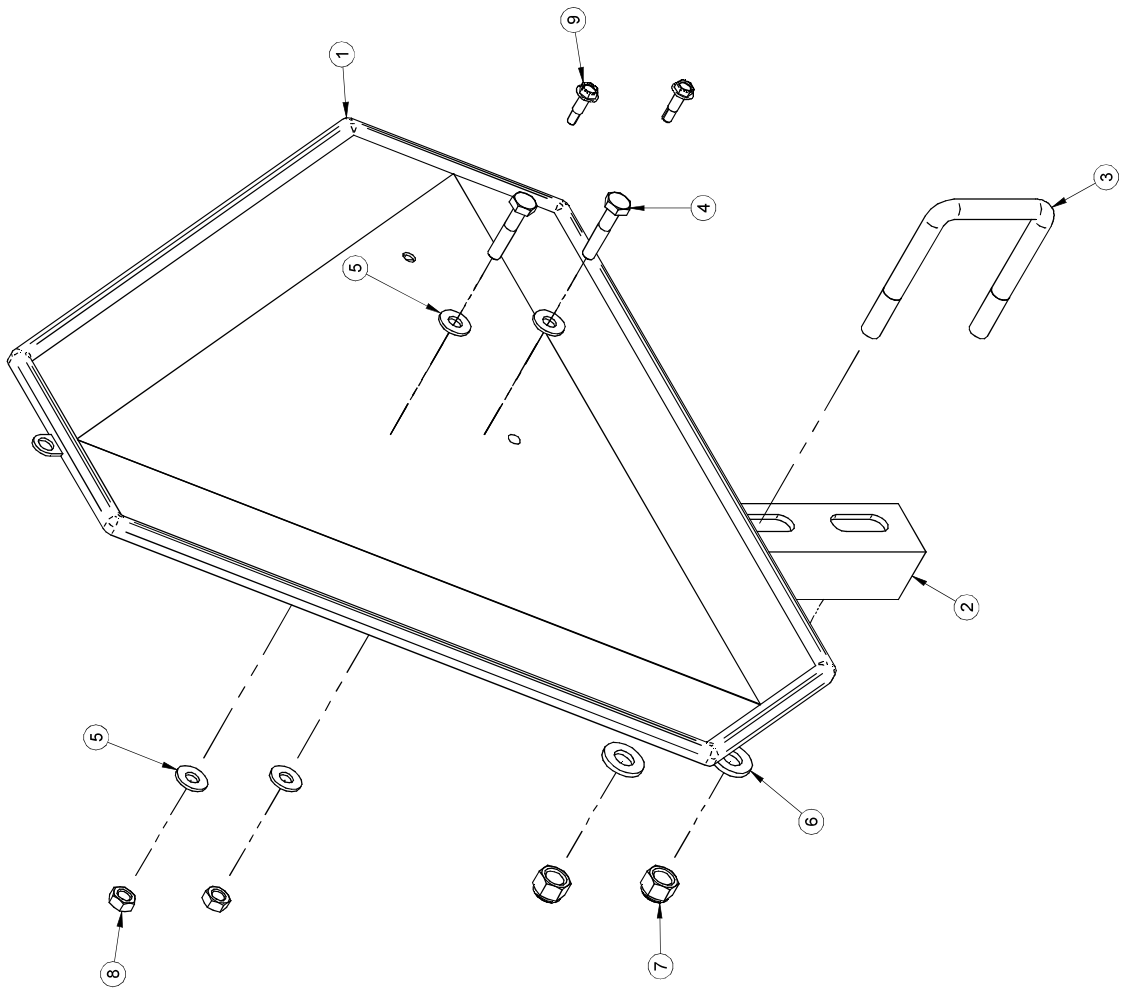
FEUILLE / SHEET #
AR830-0013

DESCRIPTION
ENSEMBLE DE LUMIÈRES POUR RAMPES HV
#DESSIN / DRAWING #
AR830-0013

| DATE CREATION | CRÉATEUR / CREATOR | REVISION DATE | PAGE |
|-------------------|--------------------|-----------------|----------|
| 2014-08-26 | cyrennep | 2018-12-07 | 1 of 1 |
| REVISION PAR / BY | REVISION | ECHELLE / SCALE | REVISION |
| allardp | | 1:12 | 3 |

| Rev | Description | Date | Approbation |
|-----|-------------|------|-------------|
| | | | |

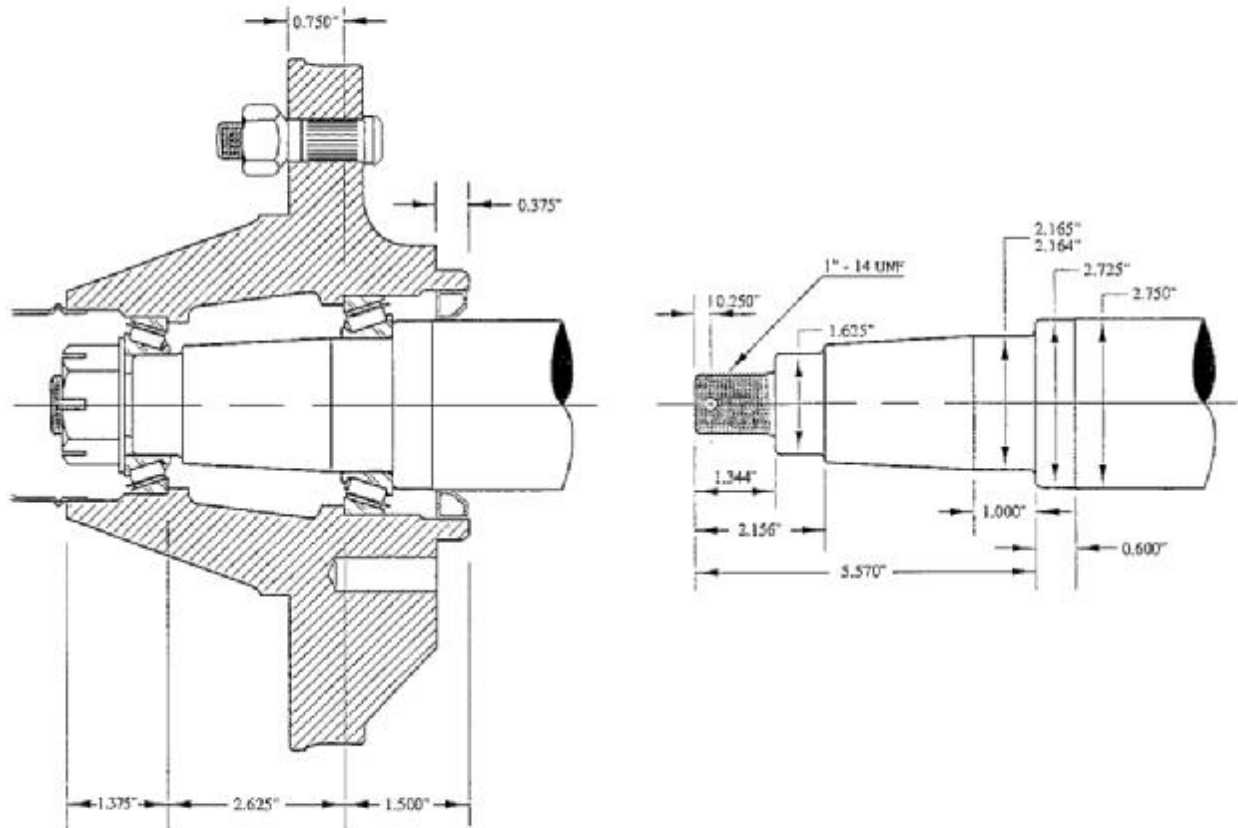
| # | Ref. | Q. |
|---|-------------|----|
| 1 | 4200029 | 1 |
| 2 | MS-BRHV50FJ | 1 |
| 3 | AU-UB3823 | 1 |
| 4 | BT-14114 | 2 |
| 5 | BT-FW14 | 4 |
| 6 | BT-FW38 | 2 |
| 7 | BT-LN38 | 2 |
| 8 | BT-N14 | 2 |
| 9 | BT-AP1234 | 2 |



| | | |
|------------|---------------|--------|
| 2011/11/24 | RE-ENSSMV.asm | Pg:1-1 |
| | Rev. 2 | |
| | RE-ENSSMV.dft | sheet |

8 trous, 8" Cercle de boulonnage, 6" Trou-Guide*

8 bolt, 8" Bolt Circle, 6" Pilot*



MOYEURS ET COMPOSANTES

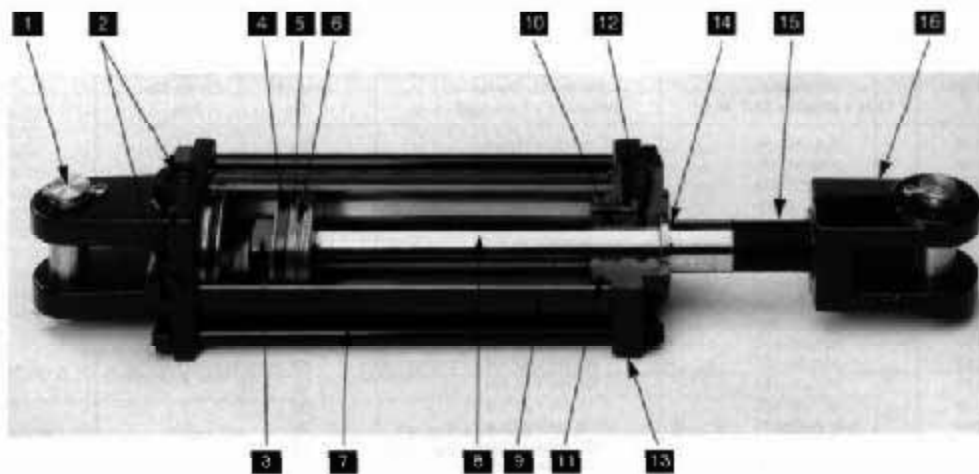
HUB AND COMPONENT PARTS

| No. Moyeu Complet Coraplet Hub Order No. | No. Coussinet / Bearing Ordering No. | | | | | | No. Composantes / Parts Ordering No. | | |
|--|--------------------------------------|---------------------------------|--------------------|--------------|--------------------|--------------|--------------------------------------|-------------------------------------|---------------------------------|
| | Covette Intérieure Inner Cup | Covette Extérieure Outer Cap | Intérieur Inner | | Extérieur Outer | | Bouchon Anti-Poussière Dust Cap | Écrou de roue S/B S/B Wheel Bolt | Joint à Graisser Grease Seal |
| | | | Cône/Cone | Calibre/Bore | Cône/Cone | Calibre/Bore | | | |
| MS-H8000 | AU-052190 | AU-052200 | AU-050070 | 2.165 | AU-050080 | 1.625 | AU-050470 | AU-053320 | AU-051170 |

FUSÉES ET COMPOSANTES

SPINDLE AND COMPONENT PARTS

| No. Fusée Spindle No. | Diamètre Fusée Spindle Diameter | Boulon Nut | Rondelle Washer | Geupille Cotter Pin | Capacité Lbs Capacity Lbs | Capacité de serrage maximum des écrous de roue : 150 lb Bolt maximum torque : 150 lb |
|--------------------------|------------------------------------|---------------|--------------------|------------------------|------------------------------|--|
| AU-S800023416 | 2.750 OU 3.000 | AU-025010 | AU-025070 | AU-025110 | 8000 | |



| REF | DESCRIPTION |
|-----|---------------------------------------|
| 1 | Pins and retainers |
| 2 | Ports |
| 3 | Piston nut |
| 4 | Piston wear ring |
| 5 | Piston |
| 6 | Piston seal |
| 7 | Tie-rods |
| 8 | Cylinder shaft |
| 9 | Tube |
| 10 | Rod wear ring |
| 11 | Tube seal |
| 12 | Rod seal |
| 13 | Rod cap & clevis cap |
| 14 | Rod wiper |
| 15 | Threaded shaft (on ASAE cylinders) |
| 16 | Rod clevis |

| No | DESCRIPTION | SÉRIE | PRESSION MAX. (LB/PO ²) | BORE (PO) | LONGUEUR (PO) RÉTRACTÉ x ÉTENDU | PORT | REPAIR KIT |
|-------------|---|-------|--|--------------|------------------------------------|----------------|------------------|
| MI-639704 | Cylindre 2 3/4" x 8" double action | TP | 3000 | 2.75 | 20.25 x 28.25 | 3/4-16 FORB | MI-639557 |
| MI-639703 | Cylindre 2 1/2" x 8" double action | TP | 3000 | 2.5 | 20.25 x 28.25 | 3/4-16 FORB | MI-639555 |
| MI-639280 | Voir MI-643449 | TD | 3000 | 2 | 20.25 x 28.25 | 3/4-16 FORB | MI-639542 |
| MI-643276 | Cylindre 2" dia. x 3" (gauche) | TH | 3000 | 2.0 x 3.0 | 11.75 x 14.75 | 3/4-16 FORB | MI-639542 |
| MI-643433 | Cylindre TL 2" x 20" x 1 1/8" tige tige NT, 3/8" FNPT | TL | 2500 | 2.0 x 20 | 30.25 x 50.25 | 3/8" FNPT | MI-637529 |
| MI-643434 | Cylindre TH 2 1/2" x 8" x 1 1/8" tige tige NT, 3/4-16 FORB | TH | 3000 | 2.5 x 8 | 20.25 x 28.25 | 3/4-16 FORB | MI-639555 |
| MI-643444 | Cylindre TL 2 1/2" x 16" x 1 1/8" tige tige NT, 3/8" FNPT | TL | 2500 | 2.5 x 16 | 26.50 x 42.50 | 3/8" FNPT | MI-643658 |
| MI-643445 | Cylindre TH 2 1/2" x 20" x 1 1/8" tige tige NT, 3/4-16 FORB | TH | 3000 | 2.5 x 20 | 30.50 x 50.50 | 3/4-16 FORB | MI-643658 |
| MI-643449 | Cylindre TH 2" x 8" x 1 1/8" tige tige NT, 3/4-16 FORB | TH | 3000 | 2.0 x 8 | 20.25 x 28.25 | 3/4-16 FORB | MI-639555 |
| MI-643645 | Cylindre TH 2 1/2" x 10" x 1 1/8" tige tige NT, 3/4-16 FORB | TH | 3000 | 2.5 x 10 | 20.50 x 30.50 | 3/4-16 FORB | MI-639555 |
| MI-643658 | Voir 639573 | | | | | | |
| MI-643661 | Cylindre 2 1/2" x 12", 3/4 - 16 forb PULL | TD | 3000 | 2.5 x 12 | 22.25 x 34.25 | 3/4-16 FORB | MI-637696 |
| MI-643662 | Cylindre 2 1/2" x 20" PULL | TD | 3000 | 2.5 x 20 | 30.25 x 50.25 | 3/4-16 FORB | MI-637697 |
| MI-643666 | Cylindre 2 1/2" x 18" PULL | TD | 3000 | 2.5 x 18 | 28.25 x 46.25 | 3/4-16 FORB | MI-637697 |
| MI-643668 | Cylindre 2" x 10" double action | | | 2.0 x 10 | | | MI-639572 |
| MI-643741 | Cylindre TH 3 1/2" x 8" x 1 1/4" tige tige NT, 3/4-16 FORB | TH | 3000 | 3.5 x 8 | 20.25 x 28.25 | 3/4-16 FORB | MI-639561 |
| MI-643831 | Cylindre 2 1/2" x 14" Push nitrosteel | TD | 3000 | 2.5 x 14 | 24.25 x 38.25 | 3/4-16 FORB | MI-637696 |
| MI-643910 | Cylindre 2 1/2" x 8" double action | | | 2.5 x 8 | | | MI-639555 |
| MI-643911 | Cylindre 2 3/4" x 8" double action | | | 2.75 x 8 | | | MI-639557 |
| MI-644358 | Cylindre 2" x 8" x 1 1/8" tige tige NT, soudé 7/8-14 FORB | TH | 3000 | 2.0 x 8 | 22.25 x 30.25 | 7/8-14 FORB | MI-644373 |
| MI-644359 | Cylindre 2 1/2" x 8" x 1 1/8" tige tige NT, soudé 7/8-14 FORB Voir MI-644500 | TH | 3000 | 2.5 x 8 | 22.25 x 30.25 | 7/8-14 FORB | MI-644373 |
| MI-644499 | Cylindre 2" x 8" x 1 1/8" tige tige NT, soudé 1 1/16 FORB | TH | 3000 | 2.0 x 8 | 22.25 x 30.25 | 1 1/16-12 FORB | MI-644373 |
| MI-644500 | Cylindre 2 1/2" x 8" x 1 1/8" tige tige NT, soudé 1 1/16 FORB Voir MI-644500R1 | TH | 3000 | 2.5 x 8 | 22.25 x 30.25 | 1 1/16-12 FORB | MI-644373 |
| MI-644500R1 | Cylindre 2 1/2" x 8" x 1 1/8" nt, soudé 1 1/16 forb. | | | 2.5 x 8 | | 1 1/16 FORB | |
| MI-645162 | Cylindre TH 2 1/2" x 16" x 1 1/8" tige tige NT, 3/4-16 FORB | TH | 3000 | 2.5 x 16 | 27.15 x 43.15 | 3/4-16 FORB | MI-649573 |
| MI-645296 | Cylindre TH 2" x 20" x 1 1/8" tige tige NT, 3/4-16 FORB | TH | 3000 | 2.0 x 20 | 30.25 x 50.25 | 3/4-16 FORB | MI-639542 |
| MI-645297 | Cylindre TH 2 1/2" x 16" x 1 1/8" tige tige NT, 3/4-16 FORB Voir MI-645760 | TH | 3000 | 2.5 x 16 | 26.50 x 42.50 | 3/4-16 FORB | MI-639555 |
| MI-645298 | Cylindre TH 2 1/2" x 20" x 1 1/8" tige tige NT, 3/4-16 FORB | TH | 3000 | 2.5 x 20 | 30.50 x 50.50 | 3/4-16 FORB | MI-639555 |
| MI-645298R1 | Cylindre TH 2 1/2" x 20" x 1 1/8" tige tige NT, 3/4-16 FORB | TH | 3000 | 2.5 x 20 | 30.50 x 50.50 | 3/4-16 FORB | MI-SKTR325001125 |
| MI-645346 | Cylindre TH 2 1/2" x 10" x 1 1/8" tige tige NT, 3/4-16 FORB | TH | 3000 | 2.5 x 10 | 18.15 x 28.15 | 3/4-16 FORB | MI-645004 |
| MI-645347 | Cylindre TH 3" x 20" x 1 1/2" tige tige NT, 3/4-16 FORB | TH | 3000 | 3.0 x 20 | 30.25 x 50.25 | 3/4-16 FORB | MI-645599 |
| MI-645374 | Cylindre 2" dia. x 24" double action | TD | 3000 | 2.0 x 24 | 34.25 x 58.25 | 3/4-16 FORB | MI-639542 |
| MI-645375 | Cylindre 2 1/2" x 8" tige nitro-stael, seal PTFE | TD | 3000 | 2.5 x 8 | 18.25 x 26.25 | 3/4-16 FORB | MI-639555 |
| MI-645376 | Cylindre 2 1/2" dia. x 10" double action | TD | 3000 | 2.5 x 10 | 20.25 x 30.25 | 3/4-16 FORB | MI-639555 |
| MI-645377 | Cylindre 2 1/2" dia. x 30" double action | TD | 3000 | 2.5 x 30 | 40.25 x 70.25 | 3/4-16 FORB | MI-639556 |
| MI-645488 | Cylindre 2" dia. x 12" double action | TD | 3000 | 2.0 x 12 | 22.25 x 34.25 | 3/4-16 FORB | MI-639542 |
| MI-645489 | Cylindre 2 1/2" dia. x 12" double action | TD | 3000 | 2.5 x 12 | 22.25 x 34.25 | 3/4-16 FORB | MI-639555 |

| No | DESCRIPTION | SÉRIE | PRESSION MAX. (LB/PO ²) | BORE (PO) | LONGUEUR (PO) RÉTRACTÉ x ÉTENDU | PORT | REPAIR KIT |
|-------------|--|-------|--|--------------|------------------------------------|-------------|-------------------|
| MI-645505 | Cylindre TH 2 1/2" x 14" x 1 1/8" tige tige NT, 3/4-16 FORB | TH | 3000 | 2.5 x 14 | 24.25 x 38.25 | 3/4-16 FORB | MI-645004 |
| MI-645625 | Cylindre 2" x 20" Push | TD | 3000 | 2.0 x 20 | 20.25 x 50.25 | 3/4-16 FORB | MI-645724 |
| MI-645626 | Cylindre 2 1/2" x 12" double action | TD | 3000 | 2.5x 12 | 22.25 x 34.25 | 3/4-16 FORB | MI-639555 |
| MI-646027 | Cylindre 3" x 12" double action | TD | 3000 | 3.0 x 12 | 22.25 x 34.25 | 3/4-16 FORB | MI-639558 |
| MI-645628 | Cylindre 3" x 14" simple double action pull | TD | 3000 | 3.0 x 14 | 24.25 x 38.25 | 3/4-16 FORB | MI-645765 |
| MI-645760 | Cylindre TH 2 1/2" x 16" x 1 1/8" tige tige NT, 3/4-16 FORB | TH | 3000 | 2.5 x 16 | 26.50 x 42.50 | 3/4-16 FORB | MI-645004 |
| MI-645761 | Cylindre TH 3" x 14" x 1 1/4" tige tige NT, 3/4-16 FORB | TH | 3000 | 3.0 x 14 | 24.25 x 38.25 | 3/4-16 FORB | MI-645599 |
| MI-645762 | Cylindre TH 2 1/2" x 30" x 1 1/4" tige tige NT, 3/4-16 FORB | TH | 3000 | 2.5 x 30 | 26.50 x 56.50 | 3/4-16 FORB | MI-639556 |
| MI-645782 | Cylindre 3" x 14" simple action push | TD | 3000 | 3 X 14 | 24.25 x 38.25 | 3/4-16 FORB | MI-645765 |
| MI-645861 | Cylindre TH 3" x 18" x 1 1/2" tige tige NT, 3/4-16 FORB | TH | 3000 | 3.0 x 18 | 26.50 x 44.50 | 3/4-16 FORB | MI-645599 |
| MI-646400 | Cylindre ASAE 2 1/2" x 8" x 1 1/8"nt, 3/4 - 16 forb, PSP seal | TD | 3000 | 2.5 x 8 | 20.25 x 28.25 | 3/4-16 FORB | MI-639555 |
| MI-646475 | Cylindre 2" x 20" x 1 1/8"nt, seal PSP | TD | 3000 | 2.0 x 20 | 30.25 x 50.25 | 3/4-16 FORB | MI-639542 |
| MI-646475R1 | Cylindre 2" x 20" x 1 1/8"nt, seal PSP | TD | 3000 | 2.0 x 20 | 30.25 x 50.25 | 3/4-16 FORB | MI-SKTCL2020N0176 |
| MI-646476 | Cylindre ASAE 2 1/2" x 10" x 1 1/8"nt, 3/4 - 16 forb, PSP seal | TD | 3000 | 2.5 x 10 | 22.25 x 32.25 | 3/4-16 FORB | MI-639555 |
| MI-646476R1 | Cylindre ASAE 2 1/2" x 10" x 1 1/8"nt, 3/4 - 16 forb, PSP seal | TD | 3000 | 2.5 x 10 | 22.25 x 32.25 | 3/4-16 FORB | MI-SKTCL2510N0177 |
| MI-646477 | Cylindre ASAE 2 1/2" x 12" x 1 1/8"nt, 3/4 - 16 forb, PSP seal | TD | 3000 | 2.5 x 12 | 24.25 x 36.25 | 3/4-16 FORB | MI-637696 |
| MI-646477R1 | Cylindre ASAE 2 1/2" x 12" x 1 1/8"nt, 3/4 - 16 forb, PSP seal | TD | 3000 | 2.5 x 12 | 24.25 x 36.25 | 3/4-16 FORB | MI-SKTR325001125 |

| No | DESCRIPTION | SÉRIE | PRESSION MAX. (LB/PO ²) | BORE (PO) | LONGUEUR (PO) RÉTRACTÉ x ÉTENDU | PORT |
|------------|--|-------|--|--------------|------------------------------------|-----------|
| AU-CYL2530 | Cylindre 2 1/2" x 30" x 1 1/4" tige niturer, 3/8" FNPT | - | 3000 | 2.5 x 30 | - | 3/8" FNPT |
| AU-CYL2048 | Cylindre 2" x 40" x 1 1/2" tige chromé, 3/8" FNPT | - | 3000 | 2.0 x 40 | - | 3/8" FNPT |
| AU-CYL2080 | Cylindre 2" x 80" x 1 1/4" tige chromé, 3/8" FNPT | - | 3000 | 2.0 x 80 | - | 3/8" FNPT |
| AU-CYL2505 | Cylindre 2 1/2" x 4" x 1 1/2" tige chromé, 3/8 FNPT | - | 3000 | 2.5 x 4 | - | 3/8" FNPT |

ENSEMBLE DE RÉPARATION

| | |
|--------------|---|
| AU-CYL2048KC | Ensemble réparation pour AU-CYL2048 2000 et plus |
| AU-CYL2048K | Ensemble réparation pour AU-CYL2048 2000 et moins |
| AU-CYL2505K | Ensemble réparation pour cylindre AU-CYL2505 |

ACCESSOIRES

| NO | DESCRIPTION |
|------------|--|
| MS-BRH18P | Limiteur de course vissé, 1-1/8" |
| MS-BRH18P2 | Limiteur de course vissé, 1-1/4" |
| MS-BRH180 | Main avec attache pour écrou |
| MO-437393 | Main de cylindre, tige 1-1/8" |
| MO-419396 | Pin 1" |
| AU-91105 | Stoppeur de course 2-1/2" avec clip plaqué |

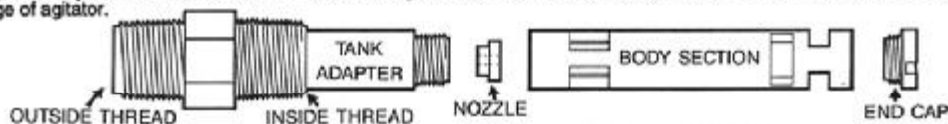
JET AGITATOR and VOLUME BOOSTER MODEL 3371-0019

The versatile Hypro, venturi type, 3371-0019 Jet Agitator adapts to your installation, fits directly into 3/4" NPT tank opening. Mounts vertically or horizontally. (For horizontal mounting, just remove end cap from agitator. The full flow is then directed across the tank.) The overlapping 4-port side outlet provides full 360° agitation for thorough mixing in the vertical position. Molded polypropylene construction provides rigidity and strength. Choice of four nozzles assures proper agitation for your spraying.



ASSEMBLY INSTRUCTIONS

1. Agitator is packaged for shipment disassembled in a see-through plastic envelope. Select your nozzle size and assemble as shown on the sectional drawing. Insert small diameter of nozzle into tank adapter. Thread parts together in order shown. Note that body section end with vertical slots screws into tank adapter (other end is for cap).
2. Wrap teflon tape on the inside 3/4" NPT thread on agitator before installing to tank. This assures a tight seal and will prevent agitator from loosening because of vibration.
3. Apply teflon tape on the outside 3/4" NPT thread for agitator line and install a metal coupling. This will assure a tight seal and prevent breakage of agitator.

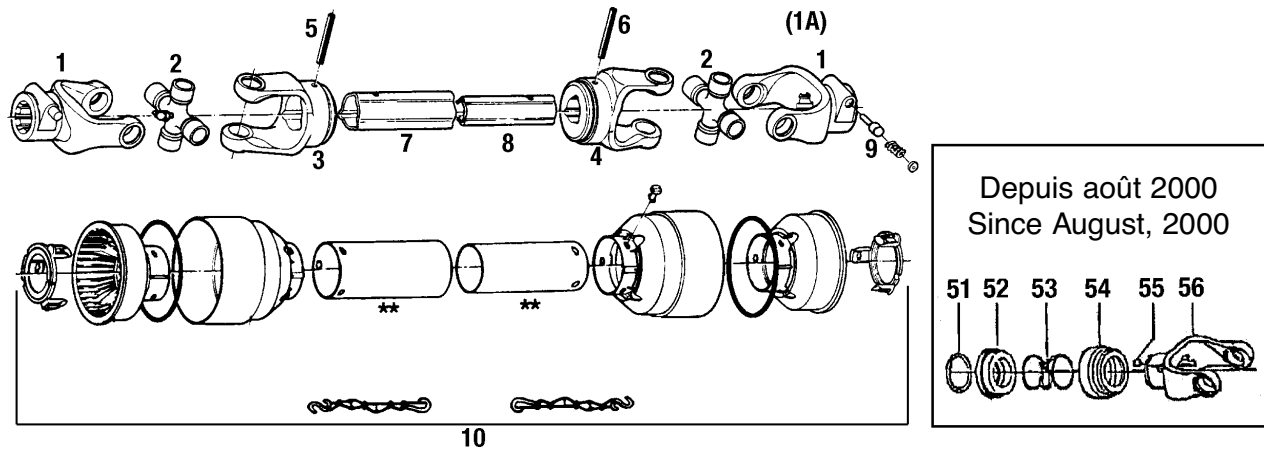


SELECTING THE PROPER NOZZLE FOR SPRAY TANK AGITATION

The right nozzle is the one which provides ample agitation to keep the wettable powders in suspension, but not too much as to cause foaming of spray material.

PERFORMANCE TABLE MODEL 3371-0019

| Nozzle Diameter | Input to Agitator in GPM | Input to Agitator in L/min. | Agitator Pressure in PSI | Agitator Pressure in KPa | Agitator Output in GPM | Agitator Output in L/min. |
|-----------------|--------------------------|-----------------------------|--------------------------|--------------------------|------------------------|---------------------------|
| 1/8" | 2.1 | 7.9 | 25 | 172.4 | 6 | 22.7 |
| 1/8" | 2.9 | 11 | 50 | 344.7 | 8.8 | 33.3 |
| 1/8" | 4.1 | 15.5 | 100 | 689.4 | 13.9 | 52.6 |
| 5/32" | 3.1 | 11.7 | 25 | 172.4 | 7 | 26.5 |
| 5/32" | 4.5 | 17 | 50 | 344.7 | 11.5 | 43.5 |
| 5/32" | 5.8 | 22 | 100 | 689.4 | 16.2 | 61.3 |
| 3/16" | 3.8 | 14.4 | 25 | 172.4 | 8.5 | 32.2 |
| 3/16" | 5.9 | 22.3 | 50 | 344.7 | 12.8 | 48.4 |
| 3/16" | 8.2 | 31 | 100 | 689.4 | 17.2 | 65.1 |
| 1/4" | 5.9 | 22.3 | 25 | 172.4 | 11.9 | 45 |
| 1/4" | 9.8 | 37.1 | 50 | 344.7 | 17.1 | 64.7 |
| 1/4" | 13.5 | 51.1 | 100 | 689.4 | 20 | 75.7 |



| Series | T20 | T20 | T20 | T50 | T60 | | |
|--------|-----------------|-----------------|-----------------|--------------|--------------|--------------------------|---|
| ** | 26-1/2" | 47-1/2" | 26-1/2" | 26-1/2" | 26-1/2" | | |
| REF | CA-PT001 | CA-PT002 | CA-PT003 | CA-PT005 | CA-PT006 | DESCRIPTION | Q |
| 1 | CA-022001 | CA-022001 | | | | Yoke, 1-3/8" x 6 splines | 1 |
| | | | CA-022001 | CA-141025001 | CA-141026544 | Yoke, 1-3/8 x 6 splines | 2 |
| 1A | CA-012304 | | | | | Yoke, 1" | 1 |
| | | CA-022108 | | | | Yoke, 1-1/4" | 1 |
| 2 | CA-41202 | CA-41202 | CA-41202 | CA-180015130 | CA-180016130 | Cross | 2 |
| 3 | CA-012003 | CA-012003 | CA-012003 | CA-151015011 | CA-151016028 | Outer yoke | 1 |
| 4 | CA-012002 | CA-012002 | CA-012002 | CA-151015012 | CA-151016029 | Inner yoke | 1 |
| 5 | CA-190000014 | CA-190000014 | CA-190000014 | CA-190000016 | CA-190000018 | Pin | 1 |
| 6 | CA-190000012 | CA-190000012 | CA-190000012 | CA-190000394 | CA-190000016 | Pin | 1 |
| 7 | CA-191120200300 | CA-191120200300 | CA-191120200300 | CA-191150200 | CA-191160200 | Outer tube | 1 |
| 8 | CA-191120100300 | CA-191120100300 | CA-191120100300 | CA-191150100 | CA-191150100 | Inner tube | 1 |
| 9 | CA-166026004 | CA-166026004 | CA-166026004 | CA-166026004 | CA-166026004 | Spring and pin | 1 |
| 10 | CA-220209 | CA-220214 | CA-220209 | CA-142250209 | CA-142260030 | Guard assy | 1 |
| 51 | CA-190000451 | CA-190000451 | CA-190000451 | | CA-190000451 | Outer clip | 1 |
| 52 | CA-151016486 | CA-151016486 | CA-151016486 | | CA-151016486 | Sliding sleeve collar | 1 |
| 53 | CA-180016487 | CA-180016487 | CA-180016487 | | CA-180016487 | Spring | 1 |
| 54 | CA-180016483 | CA-180016483 | CA-180016483 | | CA-180016483 | Fixed sleeve | 1 |
| 55 | CA-190000078 | CA-190000078 | CA-190000078 | | CA-190000078 | Ball ø 1/2" | 1 |
| 56 | CA-151012324 | CA-151012324 | CA-151012324 | | | Yoke C12 | 1 |

** Cross CC length

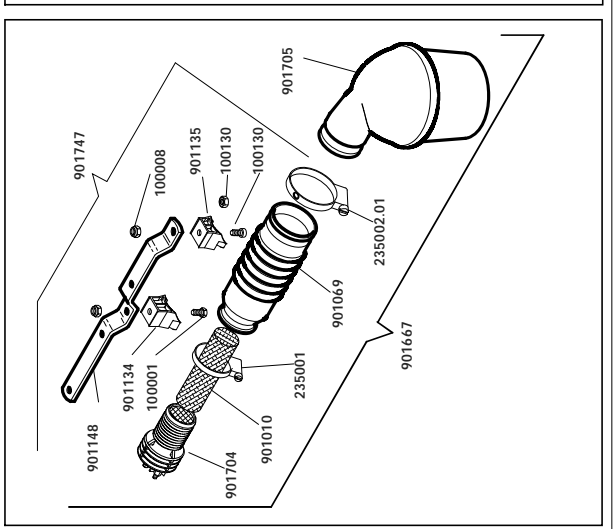
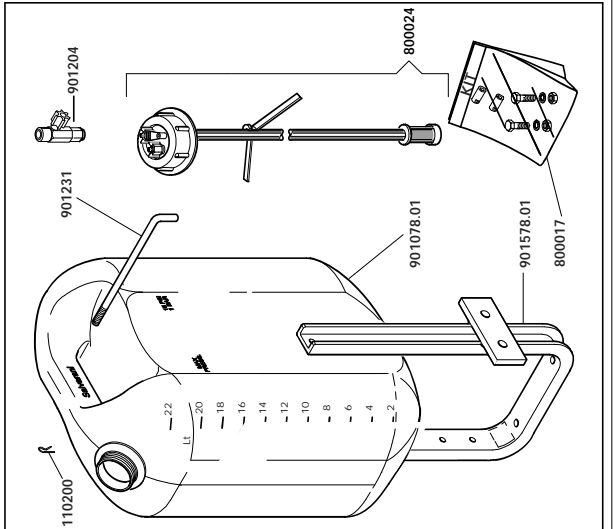
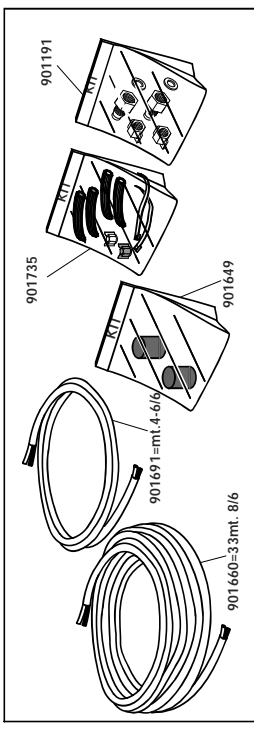
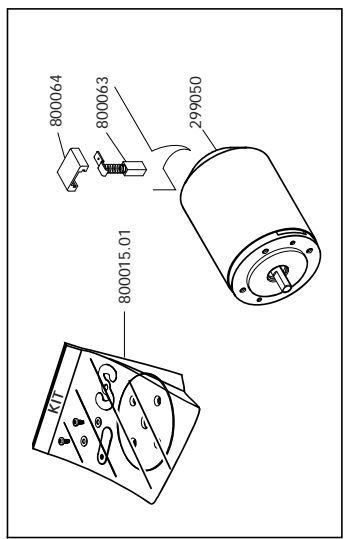
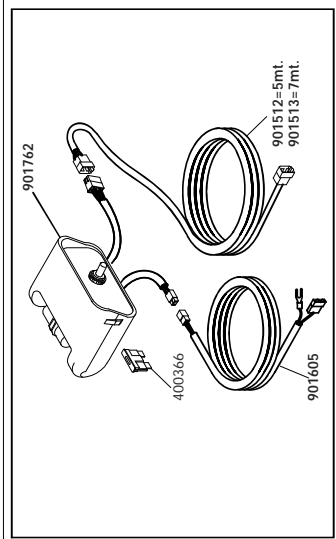
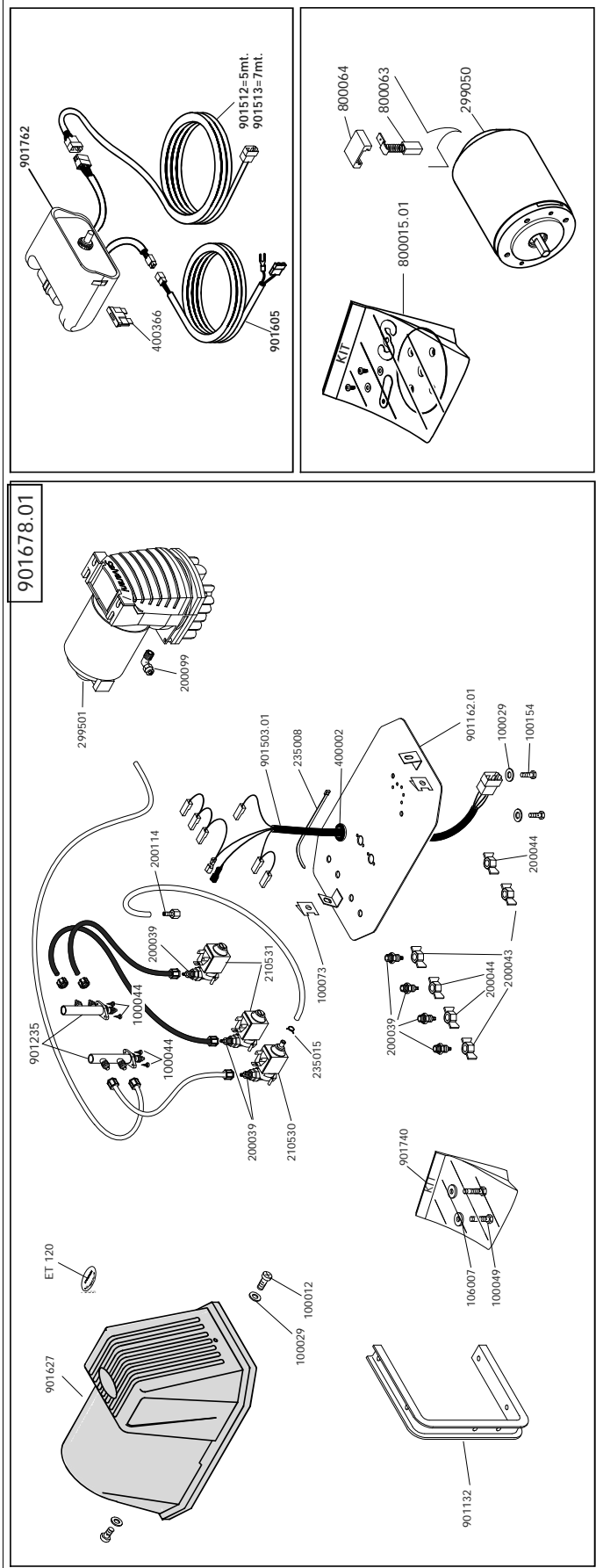
| Series | T20 | T40 | T40 | T40 | T20 | | |
|--------|-----------------|--------------|--------------|--------------|--------------|--------------------------|---|
| ** | 36" | 19" | 48" | SIMPLE | SIMPLE | | |
| REF | CA-PT007 | CA-PT008 | CA-PT00448 | CA-PT009 | CA-PT010 | DESCRIPTION | Q |
| 1 | CA-022001 | CA-141024430 | | CA-141024430 | CA-022001 | Yoke, 1-3/8" x 6 splines | 1 |
| | | | CA-141024430 | | | Yoke, 1-3/8 x 6 splines | 2 |
| 1A | | | | | CA-151014303 | Yoke, 1" | 1 |
| | CA-022108 | CA-151014302 | | CA-151014302 | | Yoke, 1-1/4" | 1 |
| 2 | CA-41202 | CA-180014130 | CA-180014130 | — | CA-41202 | Cross | 2 |
| 3 | CA-012003 | CA-151014006 | CA-151014006 | — | — | Outer yoke | 1 |
| 4 | CA-012002 | CA-151014007 | CA-151014007 | — | — | Inner yoke | 1 |
| 5 | CA-190000014 | CA-190000014 | CA-190000014 | — | — | Pin | 1 |
| 6 | CA-190000012 | CA-190000012 | CA-190000012 | — | — | Pin | 1 |
| 7 | CA-191120200300 | CA-191130200 | CA-191130200 | — | — | Outer tube | 1 |
| 8 | CA-191120100300 | CA-191140100 | CA-191140100 | — | — | Inner tube | 1 |
| 9 | CA-166026004 | CA-166026004 | CA-166026004 | — | — | Spring and pin | 1 |
| 10 | CA-220214 | CA-142240209 | CA-142240209 | — | — | Guard assy | 1 |
| 51 | CA-190000451 | CA-190000451 | CA-190000451 | — | — | Outer clip | 1 |
| 52 | CA-151016486 | CA-151016486 | CA-151016486 | — | — | Sliding sleeve collar | 1 |
| 53 | CA-180016487 | CA-180016487 | CA-180016487 | — | — | Spring | 1 |
| 54 | CA-180016483 | CA-180016483 | CA-180016483 | — | — | Fixed sleeve | 1 |
| 55 | CA-190000078 | CA-190000078 | CA-190000078 | — | — | Ball ø 1/2" | 1 |
| 56 | CA-151012324 | | | — | — | Yoke C12 | 1 |

** Cross CC length

| Series | T20 | T20 | T40 | T40 | T20 | | |
|--------|-----------------|-----------------|--------------|--------------|--------------|--------------------------|---|
| ** | 19" | 19" | 19" | 26-1/2" | 36" | | |
| REF | CA-PT00119 | CA-PT00319 | CA-PT00419 | CA-PT00426 | CA-PT00758 | DESCRIPTION | Q |
| 1 | CA-022001 | | | | | Yoke, 1-3/8" x 6 splines | 1 |
| | | CA-022001 | CA-141024430 | CA-141024430 | CA-022001 | Yoke, 1-3/8 x 6 splines | 2 |
| 1A | CA-012304 | | | | | Yoke, 1" | 1 |
| | | | | | CA-01230458 | Yoke, 5/8" | 1 |
| 2 | CA-41202 | CA-41202 | CA-180014130 | CA-180014130 | CA-41202 | Cross | 2 |
| 3 | CA-012003 | CA-012003 | CA-151014006 | CA-151014006 | CA-151015011 | Outer yoke | 1 |
| 4 | CA-012002 | CA-012002 | CA-151014007 | CA-151014007 | CA-151015012 | Inner yoke | 1 |
| 5 | CA-190000014 | CA-190000014 | CA-190000014 | CA-190000014 | CA-190000016 | Pin | 1 |
| 6 | CA-190000012 | CA-190000012 | CA-190000012 | CA-190000012 | CA-190000394 | Pin | 1 |
| 7 | CA-191120200300 | CA-191120200300 | CA-191130200 | CA-191130200 | CA-191150200 | Outer tube | 1 |
| 8 | CA-191120100300 | CA-191120100300 | CA-191140100 | CA-191140100 | CA-191150100 | Inner tube | 1 |
| 9 | CA-166026004 | CA-166026004 | CA-166026004 | CA-166026004 | CA-166026004 | Spring and pin | 1 |
| 10 | CA-220209 | CA-220209 | CA-142240209 | CA-142240209 | CA-142220211 | Guard assy | 1 |
| 51 | CA-190000451 | CA-190000451 | CA-190000451 | CA-190000451 | CA-190000451 | Outer clip | 1 |
| 52 | CA-151016486 | CA-151016486 | CA-151016486 | CA-151016486 | CA-151016486 | Sliding sleeve collar | 1 |
| 53 | CA-180016487 | CA-180016487 | CA-180016487 | CA-180016487 | CA-180016487 | Spring | 1 |
| 54 | CA-180016483 | CA-180016483 | CA-180016483 | CA-180016483 | CA-180016483 | Fixed sleeve | 1 |
| 55 | CA-190000078 | CA-190000078 | CA-190000078 | CA-190000078 | CA-190000078 | Ball ø 1/2" | 1 |
| 56 | CA-151012324 | CA-151012324 | | | CA-151012324 | Yoke C12 | 1 |

** Cross CC lenght

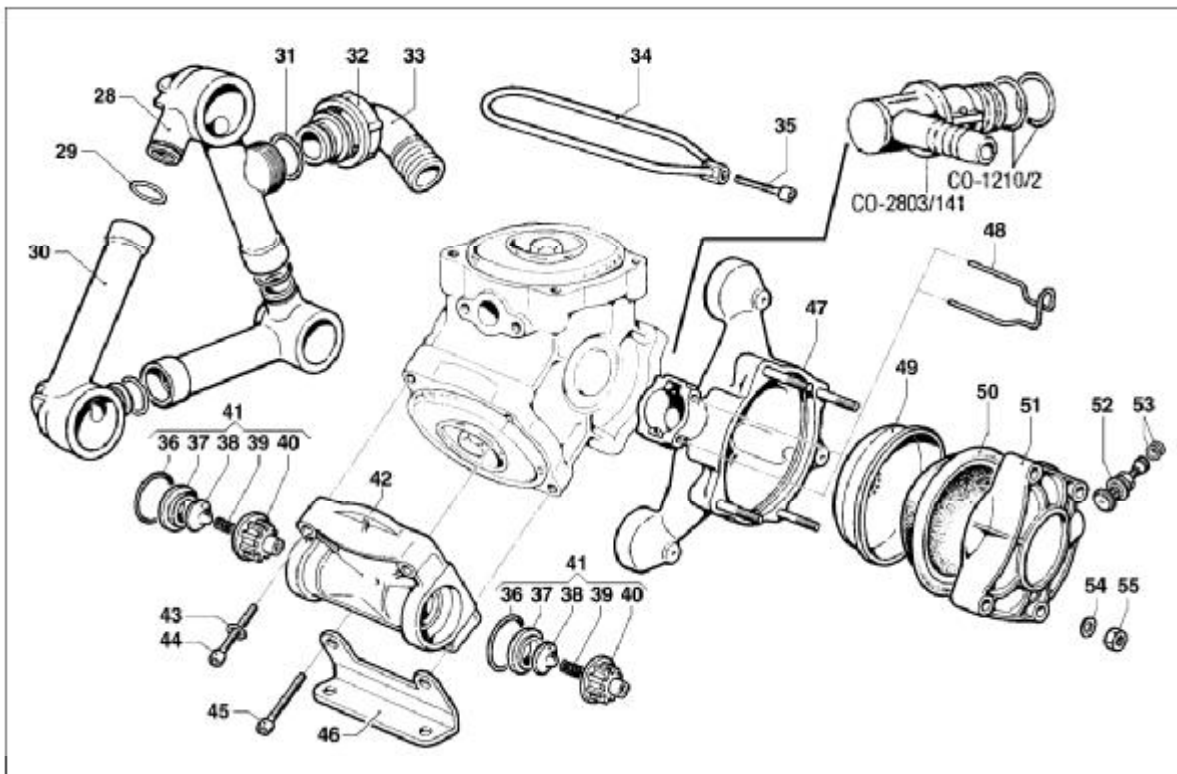
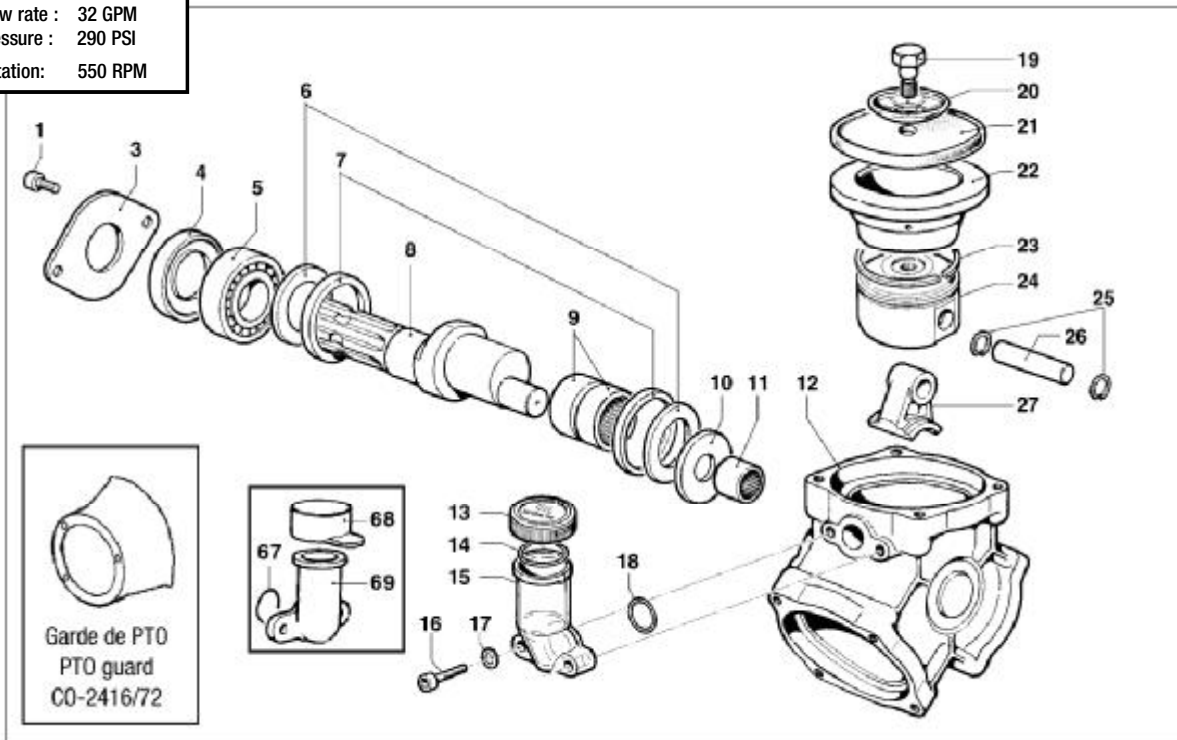
901678.01



| | Colore/Color | Colore/Color |
|-----------|--------------|----------------|
| 901719-US | NERO / BLACK | BIANCO / WHITE |
| | | |
| | | |
| | | |

Salvarani
TJ EV - 2486 AMERICA
 CARTELLA ESPOSIZIONE PERSONALIZZATA
 Sheet: 01 / 2000 End:
 Rev.: 09/01/2008
 QUESTO DISEGNO È IN OTRA PROPRIETÀ. PERTANTO SENZA NOSTRA AUTORIZZAZIONE NE È VIETATA LA RIPRODUZIONE E LA COMUNICAZIONE A TERZI IN TERMINI DI LEGGE. THIS DRAWING IS OF OUR OWNERSHIP. THEREFORE WITHOUT OUR AUTHORIZATION THE REPRODUCTION AND THE COMMUNICATION TO THIRDS PARTY A RE PROHIBITED BY THE LEGISLATION.

Débit : 32 gal/min
 Pression : 290 lb/po²
 Rotation : 550 r/min
 Flow rate : 32 GPM
 Pressure : 290 PSI
 Rotation: 550 RPM

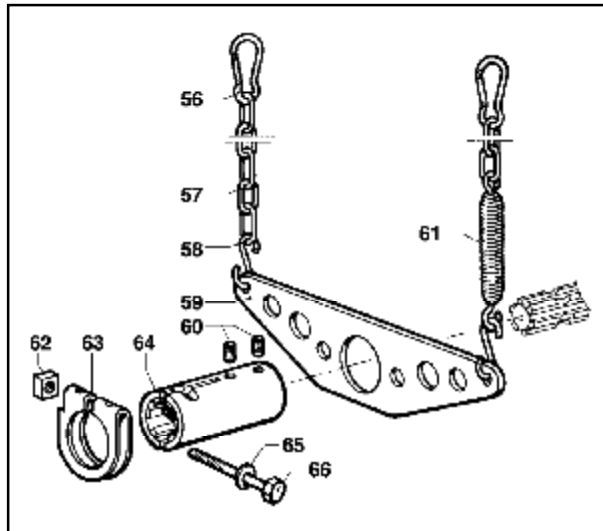


| Ref | No MS | No Comet | Description | Note | Qty |
|-----|-------------|-----------|--------------------------|-------------|-----|
| 1 | CO-3609/171 | 3609 0171 | Screw | M10x16 | 2 |
| 3 | CO-1004/13 | 1004 0013 | Flange | | 1 |
| 4 | CO-19/10 | 0019 0010 | Oil Seal | Ø35x62x10 | 1 |
| 5 | CO-438/15 | 0438 0015 | Ball Bearing | Ø35x62x14 | 1 |
| 6 | CO-2813/19 | 2813 0019 | Connecting Rod Washer | Ø63x40x2,8 | 2 |
| 7 | CO-10/8 | 0010 0008 | Connecting Rod Ring | Ø68x55x6 | 2 |
| 8 | CO-1/382 | 0001 0382 | NON-Throughshaft | 1"3/8 M | 1 |
| 9 | CO-437/45 | 0437 0045 | Bearing | Ø40x47x16 | 2 |
| 10 | CO-2813/24 | 2813 0024 | Connecting Rod Washer | Ø20x50x3 | 1 |
| 11 | CO-437/33 | 0437 0033 | Roller Bearing | Ø20x28x23 | 1 |
| 12 | CO-403/133 | 0403 0133 | Pump Crankcase | | 1 |
| 13 | CO-402/141 | 0402 0141 | Volum. Compensator Cover | | 1 |
| 14 | CO-1210/122 | 1210 0122 | O-Ring Ø2,62x44,12 | | 1 |
| 15 | CO-421/20 | 0421 0020 | Volumetric Compensator | | 1 |
| 16 | CO-3609/165 | 3609 0165 | Screw | M8x35 | 2 |
| 17 | CO-2811/99 | 2811 0099 | Washer | Ø8,4x15x1,6 | 2 |
| 18 | CO-1210/37 | 1210 0037 | O-Ring | Ø2,5x25 | 1 |
| 19 | CO-3605/5 | 3605 0005 | Diaphragm Holder Screw | | 3 |
| 20 | CO-602/45 | 0602 0045 | Disc | | 3 |
| 21 | CO-1800/2 | 1800 0002 | Diaphragm Buna | Ø112 | 3 |
| | CO-1800/176 | 1800 0176 | Diaphragm Desmo | | 3 |
| 22 | CO-400/77 | 0400 0077 | Piston Sleeve | Ø75 | 3 |
| 23 | CO-20/9 | 0020 0009 | Compression Ring | | 3 |
| 24 | CO-2409/81 | 2409 0081 | Piston | Ø75 | 3 |
| 25 | CO-3020/1 | 3020 0001 | Inner Seeger | Ø15 | 6 |
| 26 | CO-3011/1 | 3011 0001 | Gudgeon Pin | Ø15x53 | 3 |
| 27 | CO-205/34 | 0205 0034 | Connecting Rod Assembly | | 1 |
| 28 | CO-3212/23 | 3212 0023 | Suction Hose | | 1 |
| 29 | CO-1210/47 | 1210 0047 | O-Ring | Ø2,62x22,22 | 3 |

| Ref | No MS | No Comet | Description | Note | Qty |
|-----|-------------|-----------|--------------------------------|-------------|-----|
| 30 | CO-3212/12 | 3213 0012 | Suction Pipe | | 2 |
| 31 | CO-1210/34 | 1210 0034 | O-Ring | Ø3,53x28,17 | 1 |
| 32 | CO-1200/11 | 1200 0011 | Wing Nut | | 1 |
| 33 | CO-2801/63 | 2801 0063 | Suction Elbow Tail | Ø25x40 | 1 |
| 34 | CO-418/41 | 0418 0041 | U-Bolt | | 3 |
| 35 | CO-3609/160 | 3609 0160 | Screw | M10x30 | 3 |
| 36 | CO-1210/419 | 1210 0419 | O-Ring | Ø6x37x49 | 6 |
| 37 | CO-3009/22 | 3009 0022 | Suction/Delivery Valve Seat | | 6 |
| 38 | CO-3604/9 | 3604 0009 | Suction/Delivery Valve | | 6 |
| 39 | CO-1802/15 | 1802 0015 | Spring (Wire Ø0,8) | Øe11x17 | 6 |
| 40 | CO-1205/4 | 1205 0004 | Suct./Delivery Valve Cage | | 6 |
| 41 | CO-1220/6 | 1220 0006 | Suct./Delivery Valve Ass.y Kit | | 6 |
| 42 | CO-3218/123 | 3218 0123 | Pump Manifold | | 3 |
| 43 | CO-2811/98 | 2811 0098 | Washer | Ø10,5x18x2 | 7 |
| 44 | CO-3609/161 | 3609 0161 | Screw | M10x45 | 8 |
| 45 | CO-3609/161 | 3609 0161 | Screw | M10x45 | 4 |
| 46 | CO-2400/87 | 2400 0087 | Pump Mounting Bracket | | 2 |
| 47 | CO-2/21 | 0002 0021 | Pressure Accumulator | | 1 |
| 48 | CO-1202/17 | 1202 0017 | Delivery Hook | | 1 |
| 49 | CO-460/5 | 0460 0005 | Diaphragm Support Cap | | 1 |
| 50 | CO-1800/34 | 1800 0034 | Diaphragm | | 1 |
| 51 | CO-3/30 | 0003 0030 | Pressure Accumulator | | 1 |
| 52 | CO-3610/3 | 3610 0003 | Air Valve | | 1 |
| 53 | CO-1209/3 | 1209 0003 | Gasket | Ø14x7,5x2 | 2 |
| 54 | CO-2811/98 | 2811 0098 | Washer | Ø10,5x18x2 | 4 |
| 55 | CO-604/105 | 0604 0105 | Nut | | 4 |
| 67 | CO-1210/37 | 1210 0037 | O-Ring | Ø2,5x25 | 1 |
| 68 | CO-1800/24 | 1800 0024 | Volum. Comp. Diaphragm | | 1 |
| 69 | CO-421/6 | 0421 0006 | Volumetric Compensator | | 1 |

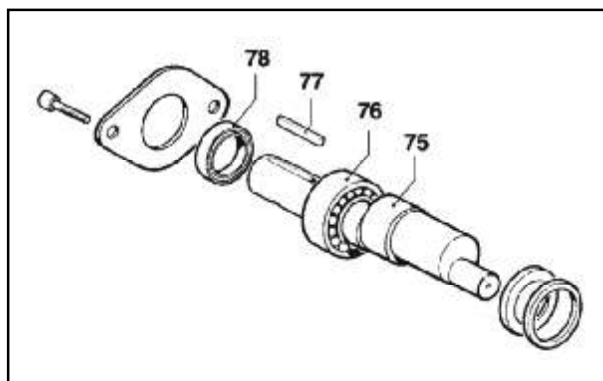
- CO-6100/3

1"3/8 Quick Coupling Torque Arm and Chain



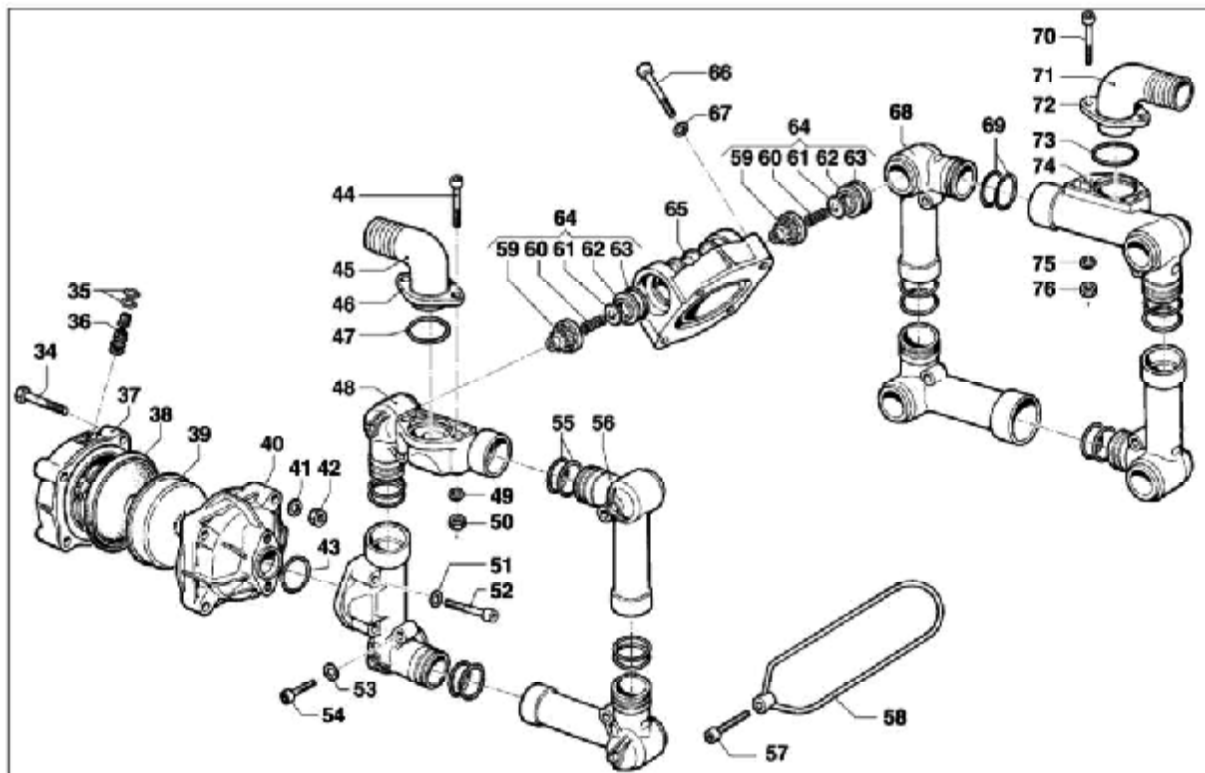
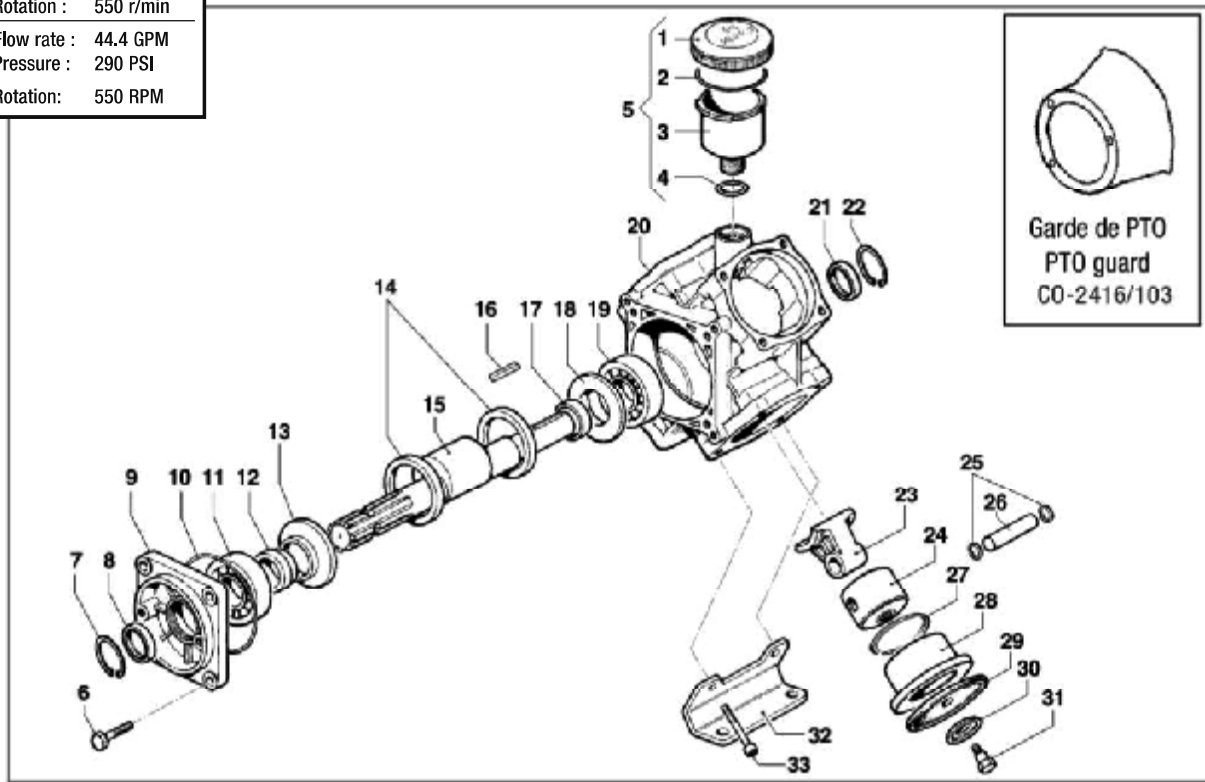
| Ref | No MS | No Comet | Description | Note | Qty |
|-----|-------------|-----------|-------------------------------|------------|-----|
| 56 | CO-1202/9 | 1202 0009 | Hook | | 2 |
| 57 | CO-465/1 | 0465 0001 | Chain | 500 mm | 2 |
| 58 | CO-1202/6 | 1202 0006 | Hook | Ø6 | 2 |
| 59 | CO-3221/1 | 3221 0001 | Torque Arm for Quick Coupling | | 1 |
| 60 | CO-3622/11 | 3622 0011 | Screw | M8x10 | 2 |
| 61 | CO-1802/40 | 1802 0040 | Spring (Wire Ø2,5) + Hook | Øe20x100 | 1 |
| 62 | CO-600/37 | 0600 0037 | Special Bolt | M12x6 | 1 |
| 63 | CO-417/5 | 0417 0005 | Collar | | 1 |
| 64 | CO-1407/6 | 1407 0006 | Quick Coupling | Ø1"3/8 | 1 |
| 65 | CO-2811/25 | 2811 0025 | Washer | Ø13x20x2,5 | 1 |
| 66 | CO-3607/115 | 3607 0115 | Hexagonal Screw | M12x75 | 1 |

CO-BP125GB

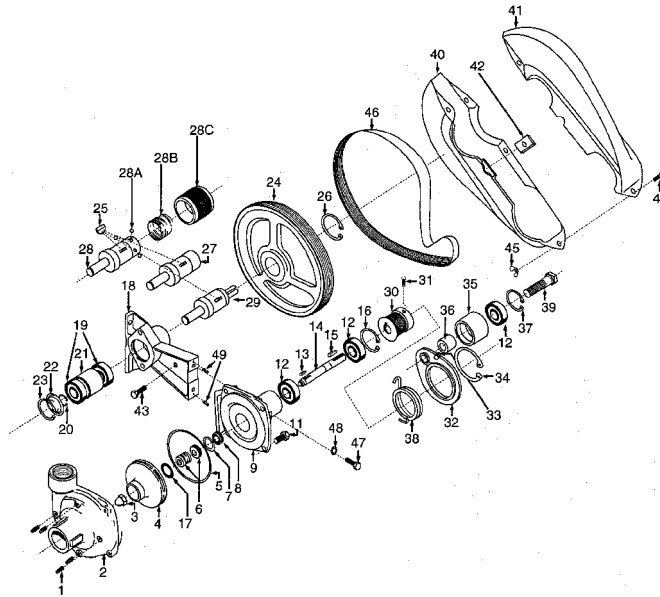


| Ref | No MS | No Comet | Description | Note | Qty |
|-----|------------|-----------|------------------|-----------|-----|
| 75 | CO-1/394 | 0001 0394 | Non-Throughshaft | Ø30 | 1 |
| 76 | CO-438/16 | 0438 0016 | Ball bearing | Ø30x62x16 | 1 |
| 77 | CO-1602/18 | 1602 0018 | Key | 8x7x40 | 1 |
| 78 | CO-19/101 | 0019 0101 | Oil seal | Ø30x62x7 | 1 |

Débit : 44.4 gal/min
 Pression : 290 lb/po²
 Rotation : 550 r/min
 Flow rate : 44.4 GPM
 Pressure : 290 PSI
 Rotation : 550 RPM



| Ref | No MS | No Comet | Description | Note | Qty | Ref | No MS | No Comet | Description | Note | Qty |
|-----|-------------|-----------|--------------------------|----------------|-----|-----|-------------|-----------|--------------------------------|-------------|-----|
| 1 | CO-402/143 | 0402 0143 | Volum. Compensator Cover | | 1 | 39 | CO-460/5 | 0460 0005 | Diaphragm Support Cap | | 1 |
| 2 | CO-1210/3/3 | 1210 0373 | O-Ring | Ø3.53x73.03 | 1 | 40 | CO-2/24 | 0002 0024 | Pressure Accumulator | | 1 |
| 3 | CO-421/12 | 0421 0012 | Volumetric Compensator | | 1 | 41 | CO-2811/98 | 2811 0098 | Washer | Ø10,5x18x2 | 4 |
| 4 | CO-1210/2 | 1210 0002 | O-Ring | Ø2.62x20,7 | 1 | 42 | CO-604/105 | 0604 0105 | Nut | M10 | 4 |
| 5 | CO-1208/15 | 1208 0015 | Volumetric Compensator | | 1 | 43 | CO-1210/185 | 1210 0185 | O-Ring | Ø4,0x38 | 1 |
| 6 | CO-3607/220 | 3607 0220 | Hexagonal Screw | M10x30 | 4 | 44 | CO-3609/156 | 3609 0156 | Screw | M8x55 | 2 |
| 7 | CO-3020/9 | 3020 0009 | Inner Seeger | Ø47 | 1 | 45 | CO-2801/32 | 2801 0032 | Elbow Coupling | Ø25 | 1 |
| 8 | CO-19/83 | 0019 0083 | Oil Seal | Ø35x47x7 | 1 | 46 | CO-2404/108 | 2404 0108 | Hose Tail Fixing Plate | 1 | 1 |
| 9 | CO-405/67 | 0405 0067 | Support Cover | | 1 | 47 | CO-1210/180 | 1210 0180 | OR O-Ring | Ø3x29 | 1 |
| 10 | CO-1210/345 | 1210 0345 | O-Ring | Ø1,78x101.32 | 1 | 48 | CO-3214/39 | 3214 0039 | Delivery Hose | | 2 |
| 11 | CO-438/12 | 0438 0012 | Ball Bearing | Ø35x80x21 | 1 | 49 | CO-2811/99 | 2811 0099 | Washer | Ø8,4x15x1,6 | 4 |
| 12 | CO-601/132 | 0601 0132 | Spacer | Ø35xØ48x18 | 1 | 50 | CO-604/107 | 0604 0107 | Nut | M8 | 2 |
| 13 | CO-2813/36 | 2813 0036 | Connecting Rod Washer | | 1 | 51 | CO-2811/99 | 2811 0099 | Washer | Ø8,4x15x1,6 | 1 |
| 14 | CO-10/20 | 0010 0020 | Connecting Rod Ring | Ø80x68 | 2 | 52 | CO-3609/156 | 3609 0156 | Screw | M8x55 | 2 |
| 15 | CO-1/402 | 0001 0402 | Throughshaft | 1"3/8-Ø30 Cil. | 1 | 53 | CO-2811/99 | 2811 0099 | Washer | Ø8,4x15x1,6 | 1 |
| 16 | CO-1602/18 | 1602 0018 | Key | 8x7x40 | 1 | 54 | CO-3609/162 | 3609 0162 | Screw | M8x40 | 4 |
| 17 | CO-601/134 | 0601 0134 | Spacer | Ø35xØ44x10 | 1 | 55 | CO-1210/11 | 1210 0011 | O-Ring | Ø3,0x36 | 8 |
| 18 | CO-2813/36 | 2813 0036 | Connecting Rod Washer | | 1 | 56 | CO-3214/38 | 3214 0038 | Delivery Hose | | 2 |
| 19 | CO-438/12 | 0438 0012 | Ball Bearing | Ø35x80x21 | 1 | 57 | CO-3609/163 | 3609 0163 | Screw | M10x40 | 4 |
| 20 | CO-403/118 | 0403 0118 | Pump Crankcase | | 1 | 58 | CO-418/40 | 0418 0040 | U-Bolt | | 4 |
| 21 | CO-19/83 | 0019 0083 | Oil Seal | Ø35x47x7 | 1 | 59 | CO-1205/34 | 1205 0034 | Suction/Delivery Valve Cage | | 8 |
| 22 | CO-3020/9 | 3020 0009 | Inner Seeger | Ø47 | 1 | 60 | CO-1802/71 | 1802 0071 | Spring (Wire Ø1) | Øe21x22 | 8 |
| 23 | CO-205/38 | 0205 0038 | Connecting Rod Assembly | | 1 | 61 | CO-3604/9 | 3604 0009 | Suction/Delivery Valve | | 8 |
| 24 | CO-2409/81 | 2409 0081 | Piston | Ø75 | 4 | 62 | CO-3009/22 | 3009 0022 | Suction/Delivery Valve Seat | | 8 |
| 25 | CO-3020/1 | 3020 0001 | Inner Seeger | Ø15 | 8 | 63 | CO-1210/419 | 1210 0419 | O-Ring | Ø6x37x49 | 8 |
| 26 | CO-20/9 | 0020 0009 | Compression Ring | | 4 | 64 | CO-1220/46 | 1220 0046 | Suct./Delivery Valve Ass.y kit | | 8 |
| 27 | CO-3011/1 | 3011 0001 | Gudgeon Pin | Ø15x53 | 4 | 65 | CO-3218/123 | 3218 0123 | Pump Manifold | | 4 |
| 28 | CO-400/77 | 0400 0077 | Piston Sleeve | Ø75 | 4 | 66 | CO-3609/161 | 3609 0161 | Screw | M10x45 | 12 |
| 29 | CO-1800/2 | 1800 0002 | Diaphragm Buna | Ø112 | 4 | 67 | CO-2811/98 | 2811 0098 | Washer | Ø10,5x18x2 | 11 |
| | CO-1800/176 | 1800 0176 | Diaphragm Desmo | | 4 | 68 | CO-3214/38 | 3214 0038 | Delivery Hose | | 3 |
| 30 | CO-602/45 | 0602 0045 | Disc | | 4 | 69 | CO-1210/11 | 1210 0011 | O-Ring | Ø3,0x36 | 8 |
| 31 | CO-3605/5 | 3605 0005 | Diaphragm Holder Screw | M12x1,5 | 4 | 70 | CO-3609/156 | 3609 0156 | Screw | M8x55 | 2 |
| 32 | CO-2400/64 | 2400 0064 | Pump Mounting Bracket | | 2 | 71 | CO-2801/55 | 2801 0055 | Elbow Coupling | Ø40 | 1 |
| 33 | CO-3609/161 | 3609 0161 | Screw | M10x45 | 4 | 72 | CO-2404/108 | 2404 0108 | Hose Tail Fixing Plate | | 1 |
| 34 | CO-3607/223 | 3607 0223 | Hexagonal Screw | M10x65 | 4 | 73 | CO-1210/180 | 1210 0180 | O-Ring | Ø3x29 | 1 |
| 35 | CO-1209/33 | 1209 0033 | Gasket | Ø14x7,5x2 | 2 | 74 | CO-3214/39 | 3214 0039 | Delivery Hose | | 1 |
| 36 | CO-3610/3 | 3610 0003 | Air Valve | | 1 | 75 | CO-2811/99 | 2811 0099 | Washer | Ø8,4x15x1,6 | 4 |
| 37 | CO-3/30 | 0003 0030 | Pressure Accumulator | | 1 | 76 | CO-604/107 | 0604 0107 | Nut | M8 | 2 |
| 38 | CO-1800/34 | 1800 0034 | Diaphragm Buna | | 1 | | | | | | |



| REF NO | DESCRIPTION | Q | REF NO | DESCRIPTION | Q |
|--------|--|---|--------|--|---|
| 1 | JB-24060007 Drain plug | 4 | 27 | JB-05559400F Shaft (540 rpm) (JB-34300207 kit used on JB-5559400F and JB-5569400F shafts) | 1 |
| 2 | JB-01509000C Pump casing (Models 9403C) | 1 | | JB-05569400F Shaft (1000 rpm) (JB-34300207 kit used on JB-5559400F and JB-5569400F shafts) | 1 |
| 3 | JB-22530002 Impeller nut | 1 | 27 | JB-05579400F Shaft (1 3/4", 1000 rpm) (JB-34300207 kit used on JB-5559400F and JB-5569400F shafts) | 1 |
| 4 | JB-04019100P Impeller, nylon | 1 | 28 | JB-05559400F1 Shaft (540 quick coupler) | 1 |
| | JB-04029100P Impeller, nylon | 1 | 28A | JB-32500004 Locking ball | 3 |
| 5 | JB-17200083 O-ring | 1 | 28B | JB-19000115 Collar spring | 1 |
| 6 | JB-21200008 Mechanical seal (opt. buna-n) | 1 | 28C | JB-14000021 Collar | 1 |
| | JB-21200009 Mechanical seal (std viton) | 1 | 29 | JB-05039400 Shaft (1" solid) | 1 |
| | JB-21200032 Mechanical seal (opt. silicone carbide) | 1 | 30 | JB-31150034 Driven pulley (5/8" dia. bore) | 1 |
| 7 | JB-18300040 Seal retainer | 1 | 31 | JB-22300003 Set screw for driven pulley | 2 |
| 8 | JB-14100056 Slinger ring | 1 | 32 | JB-07069400C Idler bracket (cast iron pumps) | 1 |
| 9 | JB-07509200C Mounting flange | 1 | 33 | JB-24050003 Grease Zerk fitting | 1 |
| 10 | JB-60310252 Nameplate (specify model number) | 1 | 34 | JB-18100036 Retaining ring (idler bracket, cast iron) | 1 |
| 11 | JB-22100020 Bolt | 4 | 35 | JB-31150036 Idler pulley | 1 |
| 12 | JB-20000010 Ball bearing | 3 | 36 | JB-14100095 Spacer (idler pulley) | 1 |
| 13 | JB-16100015 Key | 1 | 37 | JB-18200013 Retaining ring (idler pulley) | 1 |
| 14 | JB-05019200 Pump shaft | 1 | 38 | JB-19000156 Torsion spring (idler for cast iron) | 1 |
| 15 | JB-16100004 Key | 1 | 39 | JB-22100111 Idler bolt / shaft | 1 |
| 16 | JB-18200013 Bearing retainer | 1 | 40 | JB-28400075 Belt shield | 1 |
| 17 | JB-17000100 Gasket | 1 | 41 | JB-28400076 Belt shield | 1 |
| 18 | JB-07039400D Pedestal bracket | 1 | 42 | JB-15200062 Bracket for belt shield | 1 |
| 19 | JB-20010006 Driver shaft bearings | 2 | 43 | JB-22100021 Attachment bolt for shield | 1 |
| 20 | JB-18100012 Driver shaft bearing retainer ring | 1 | 44 | JB-22400017 Assembly bolts for shield | 4 |
| 21 | JB-14100094 Bearing spacer | 1 | 45 | JB-22520002 Assembly nuts for shield | 4 |
| 22 | JB-28400053 End cap (label) | 1 | 46 | JB-31000006 Poly V-belt (540 rpm) | 1 |
| 23 | JB-18200032 Bearing bore retaining ring | 1 | | JB-31000005 Poly V-belt (1000 rpm) | 1 |
| 24 | JB-31150031 Driver pulley (540 rpm) | 1 | 47 | JB-2210-0055 Bolts for pump to bracket | 2 |
| 24 | JB-31150032 Driver pulley (1000 rpm) | 1 | 48 | JB-2260-0006 Lock washers for bracket bolts | 2 |
| 24 | JB-31150033 Driver pulley (540 rpm, 1 3/4" shaft) | 1 | 49 | JB-16000070 Roll pin | 2 |
| 25 | JB-16100033 Key (driver pulley) | 1 | | | |
| | JB-16100034 Key (driver pulley, 1 3/4" shaft) | 1 | | | |
| 26 | JB-18100031 Retaining ring (driver pulley) | 1 | | | |
| | JB-18100032 Retaining ring (driver pulley, 1 3/4" shaft) | 1 | | | |

REPAIR KIT N° JB-34300477 FOR 1000 RPM DRIVES

| REF NO | DESCRIPTION | Q |
|--------|--|---|
| 46 | JB-31000005 Poly V-belt (1000 rpm) | 1 |
| 5 | JB-17200083 O-ring | 1 |
| 6 | JB-21200009 Mechanical seal (standard viton) | 1 |
| 17 | JB-17000100 Gasket | 1 |

REPAIR KIT N° JB-34300332 FOR SEAL, O-RING

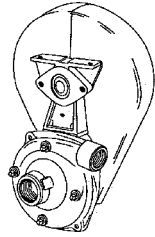
| REF NO | DESCRIPTION | Q |
|--------|--|---|
| 6 | JB-21200009 Mechanical seal (standard viton) | 1 |
| 5 | JB-17200083 O-ring | 1 |
| 17 | JB-17000100 Gasket | 1 |

REPAIR KIT N° JB-34300476 FOR 540 RPM DRIVES

| REF NO | DESCRIPTION | Q |
|--------|--|---|
| 46 | JB-31000006 Poly V-belt (540 rpm) | 1 |
| 5 | JB-17200083 O-ring | 1 |
| 6 | JB-21200009 Mechanical seal (standard viton) | 1 |
| 17 | JB-17000100 Gasket | 1 |

SILICONE CARBIDE REPAIR KIT N° JB-34300589 FOR SEAL, O-RING

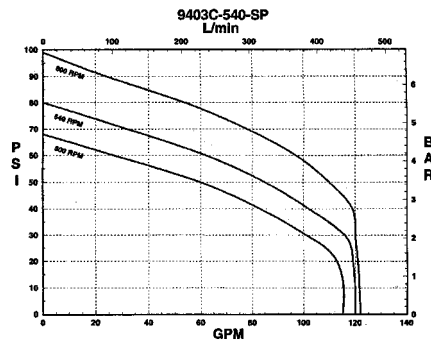
| REF NO | DESCRIPTION | Q |
|--------|---|---|
| 6 | JB-21200032 Mechanical seal (opt. silicone carbide) | 1 |
| 5 | JB-17200083 O-ring | 1 |
| 17 | JB-17000100 Gasket | 1 |



**SERIES 9403C
Cast Iron Belt-Driven
Centrifugal Pump**

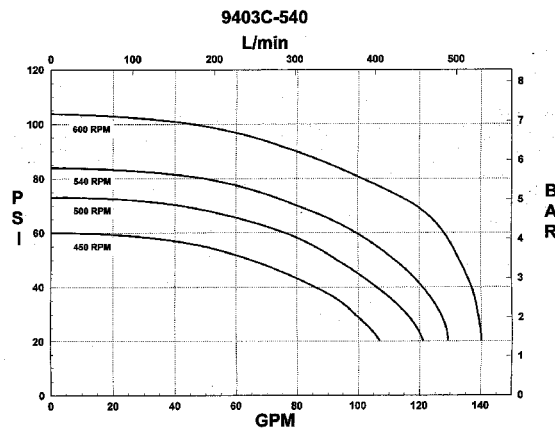
Max. Flow rate: 84-140 GPM
 Max. Pressure: 95-104 PSI
 Max. speed: 600 and 1000 rpm
 Ports: 1 1/4" or 1 1/2" NPT inlet
 1" or 1 1/4" NPT outlet

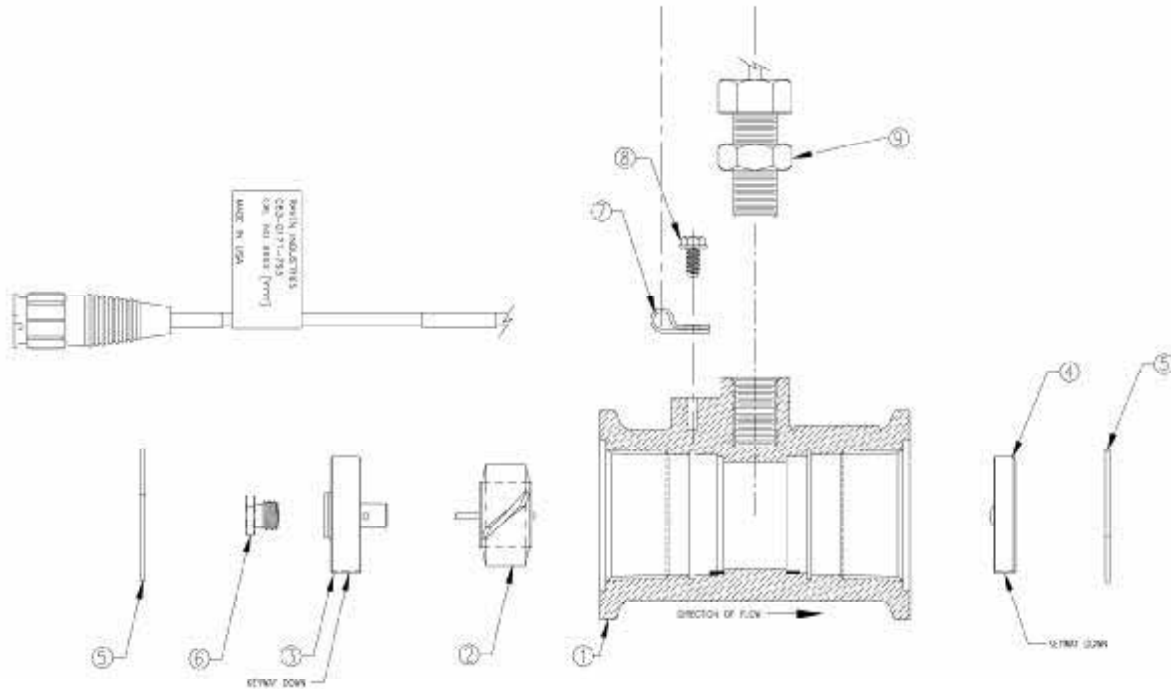
| Performance data for cast iron, self priming models | | | | | | | | | |
|---|---------------|---------------|---------------|---------------|---------------|---------------|---------------|---------------|---------------|
| RPM | GPM at 10 PSI | GPM at 20 PSI | GPM at 30 PSI | GPM at 40 PSI | GPM at 50 PSI | GPM at 60 PSI | GPM at 70 PSI | GPM at 80 PSI | GPM at 90 PSI |
| 500 | 114 | 113 | 101 | 83 | 60 | 27 | | | |
| 540 | 120 | 119 | 116 | 102 | 85 | 62 | 32 | | |
| 600 | 121 | 121 | 120 | 119 | 110 | 97 | 78 | 54 | 24 |



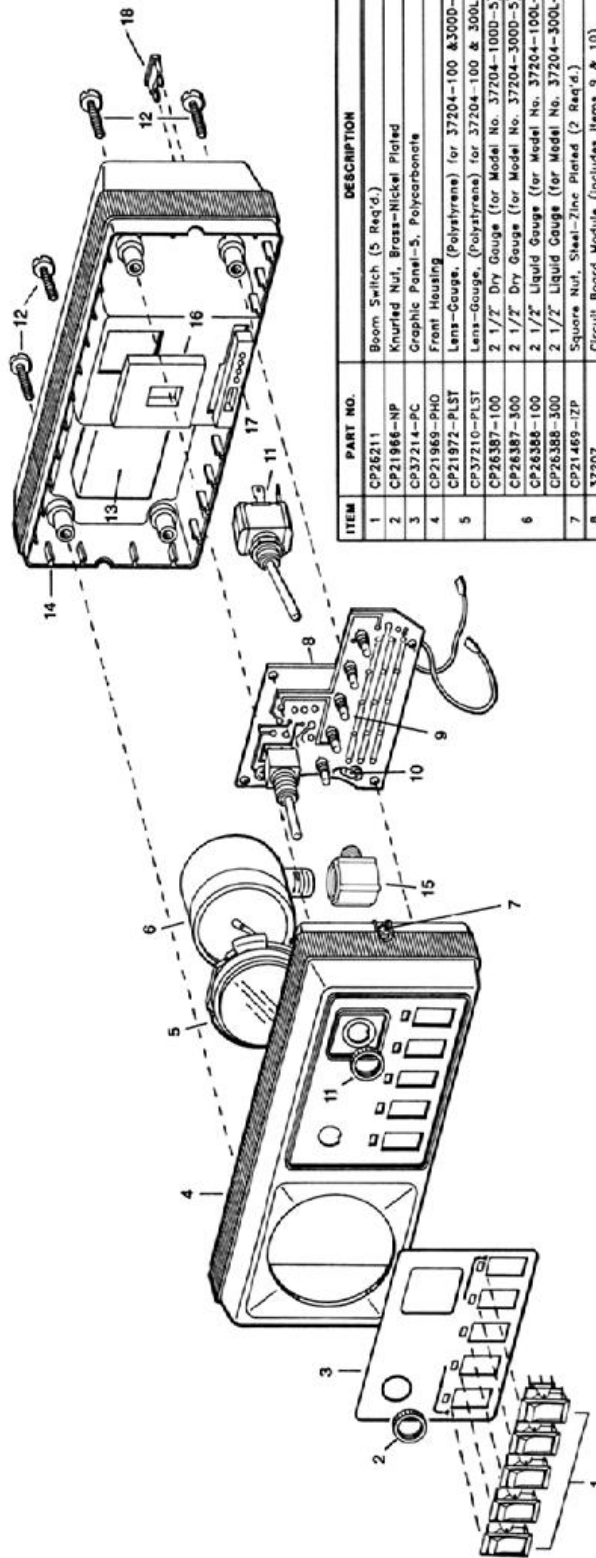
| Performance data for cast iron and Poly, belt driven models • JB-9403C 1000 RPM | | | | | | | | | |
|---|---------------|---------------|---------------|---------------|---------------|---------------|---------------|---------------|----------------|
| RPM | GPM at 20 PSI | GPM at 30 PSI | GPM at 40 PSI | GPM at 50 PSI | GPM at 60 PSI | GPM at 70 PSI | GPM at 80 PSI | GPM at 90 PSI | GPM at 100 PSI |
| 800 | 115 | 106 | 96 | 80 | 56 | | | | |
| 900 | 129 | 127 | 120 | 111 | 98 | 80 | 50 | | |
| 1000 | 140 | 139 | 137 | 133 | 128 | 119 | 100 | 76 | 46 |

| Performance data for cast iron and Poly, belt driven models • JB-9403C 540 RPM | | | | | | | | | |
|--|---------------|---------------|---------------|---------------|---------------|---------------|---------------|---------------|----------------|
| RPM | GPM at 20 PSI | GPM at 30 PSI | GPM at 40 PSI | GPM at 50 PSI | GPM at 60 PSI | GPM at 70 PSI | GPM at 80 PSI | GPM at 90 PSI | GPM at 100 PSI |
| 450 | 107 | 99 | 86 | 50 | | | | | |
| 500 | 121 | 116 | 106 | 93 | 76 | 42 | | | |
| 540 | 129 | 127 | 120 | 111 | 98 | 80 | 50 | | |
| 600 | 140 | 138 | 135 | 130 | 121 | 112 | 94 | 73 | 40 |

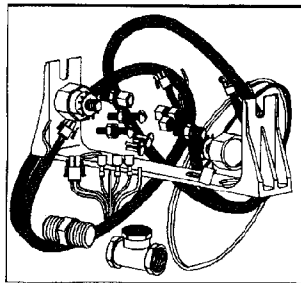




| REF N° | DESCRIPTION |
|--------|--|
| 1 | RA-1060159514 Body RFM 60s Flow Meter |
| 2 | RA-0630171673 Rotor/Magnet Assembly |
| 3 | RA-0630171674 Hub/Bearing Assembly, Upstream |
| 4 | RA-0630171769 Hub, Assembly, Downstram |
| 5 | RA-3350000278 Ring, Retaining internal |
| 6 | RA-0630159570 Stud Bearing |
| 7 | RA-4353302017 Clamp Cable |
| 8 | RA-3100002137 Screw, Thread Forming |
| 9 | RA-0630171669 Sensor, assembly, External |

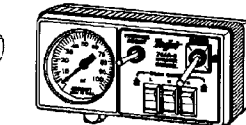


| ITEM | PART NO. | DESCRIPTION |
|------|-------------------|---|
| 1 | CP26211 | Boom Switch (5 Req'd.) |
| 2 | CP21986-NP | Knurled Nut, Brass-Nickel Plated |
| 3 | CP37214-PC | Graphic Panel-5, Polycarbonate |
| 4 | CP21969-PHO | Front Housing |
| 5 | CP21972-PLST | Lens-Gauge, (Polystyrene) for 37204-100 & 300L-5 |
| | CP26387-100 | 2 1/2" Dry Gauge (for Model No. 37204-1000-5) |
| | CP26387-300 | 2 1/2" Dry Gauge (for Model No. 37204-3000-5) |
| 6 | CP26388-100 | 2 1/2" Liquid Gauge (for Model No. 37204-100L-5) |
| | CP26388-300 | 2 1/2" Liquid Gauge (for Model No. 37204-300L-5) |
| 7 | CP21469-IZP | Square Nut, Steel-Zinc Plated (2 Req'd.) |
| 8 | 37207 | Circuit Board Module (includes Items 9 & 10) |
| 9 | CP37222-COMMAT | Boom L.E.D. |
| 10 | CP37221-COMMAT | Gauge Lamp |
| 11 | 22573-COMMAT | Toggle Switch w/Knurled Nut Sub-Assembly |
| 12 | CP21495-1-41055 | #6 Plate Screw, Type 410 Stainless Steel (4 Req'd.) |
| 13 | CP37216-1-NEO | Foam Spacer (for 37204-1000-- & 37204-3000--) |
| | CP37216-2-NEO | Foam Spacer (for 37204-100L-- & 37204-300L--) |
| 14 | CP21462-PHO | Back Housing |
| 15 | CP37211-NYB | Elbow, Nylon (Black) |
| 16 | CP21488-NEO | Output Cable Shield, Neoprene-Sponge |
| 17 | CP21487-NEO | Receptacle-Fuse Shield, Neoprene-Sponge |
| 18 | CP21470-20-PS | Fuse, 20 Amp |
| | No. 37204-1000-5, | CONTROL HOUSING ASSEMBLY |
| | No. 37204-100L-5, | CONTROL HOUSING ASSEMBLY |
| | No. 37204-3000-5, | CONTROL HOUSING ASSEMBLY |
| | No. 37204-300L-5, | CONTROL HOUSING ASSEMBLY |



ACCESSORIES

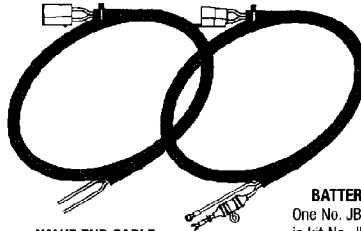
3/8" CLOSE NIPPLE
One additional No. JB-CP21737 closed nipple included in kit No. JB-K744A ___ 55S



CONTROL HOUSING ASSEMBLY



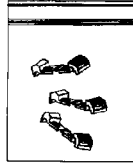
JB-744A OWNERS MANUAL



VALVE END CABLE
One No. JB-37209-8 included in kit No. JB-K744A ___ B

BATTERY END CABLE
One No. JB-37208 included in kit No. JB-K744A ___ B

T-TAP ACCESSORY BAG

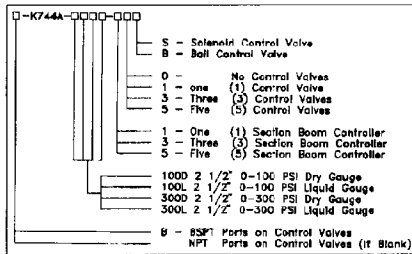


| T-TAP ACCESSORY BAG | |
|---------------------|----------------|
| Access. bag No. | Kit No. |
| JB-372263 | JB-K744A----1- |
| JB-372269 | JB-K744A----3- |
| JB-3722615 | JB-K744A----5- |

| CONTROL HOUSING ASSEMBLY | |
|--------------------------|----------------|
| Control part No. | Kit No. |
| JB-37202----1 | JB-K744A----1- |
| JB-37203----3 | JB-K744A----3- |
| JB-37204----5 | JB-K744A----5- |

| PRESSURE REGULATING VALVE | |
|---------------------------|---------------|
| Regulator valve No. | Kit No. |
| JB-21773244 | JB-K744A----S |
| JB-21776344E2PR34 | JB-K744A----B |
| JB-D21776344E2PR3/4 | JB-K744A----B |

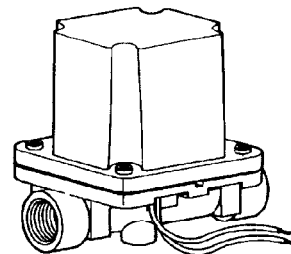
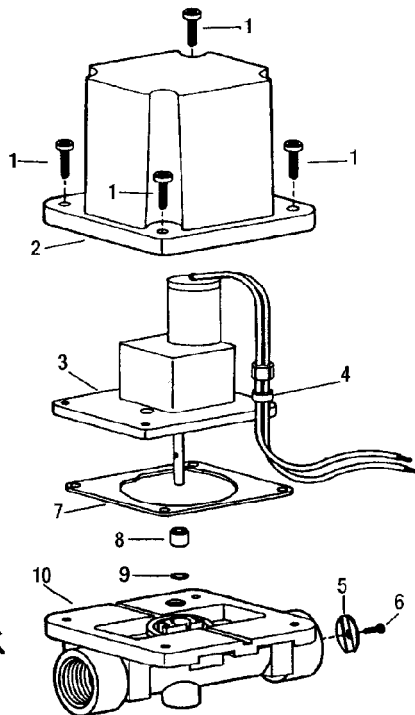
| CONTROL VALVE | |
|--------------------|---------------|
| Shut-off valve No. | Kit No. |
| JB-144A--- | JB-K744A----S |
| JB-37227344EC234 | JB-K744A----B |
| JB-B37227344EC234 | JB-K744A----B |



JB-K744A KIT CODES

| Sprayer control kit | Sprayer control kit |
|---------------------|-----------------------------------|
| JB-K744A100D10S | JB-K744A300L11B |
| JB-K744A100L10S | JB-K744A300D30B |
| JB-K744A100D11S | JB-K744A300L30B |
| JB-K744A100L11S | JB-K744A300D33B |
| JB-K744A100D30S | JB-K744A300L33B |
| JB-K744A100L30S | JB-K744A300D50B |
| JB-K744A100D33S | JB-K744A300L50B |
| JB-K744A100L33S | JB-K744A300D55B |
| JB-K744A100D50S | JB-K744A300L55B |
| JB-K744A100L50S | Sprayer control kit (BSPT) |
| JB-K744A100D55S | JB-BK744A300L11B |
| JB-K744A100L55S | JB-BK744A300L30B |
| JB-K744A300D10B | JB-BK744A300L33B |
| JB-K744A300L10B | JB-BK744A300L50B |
| JB-K744A300D11B | JB-BK744A300L55B |

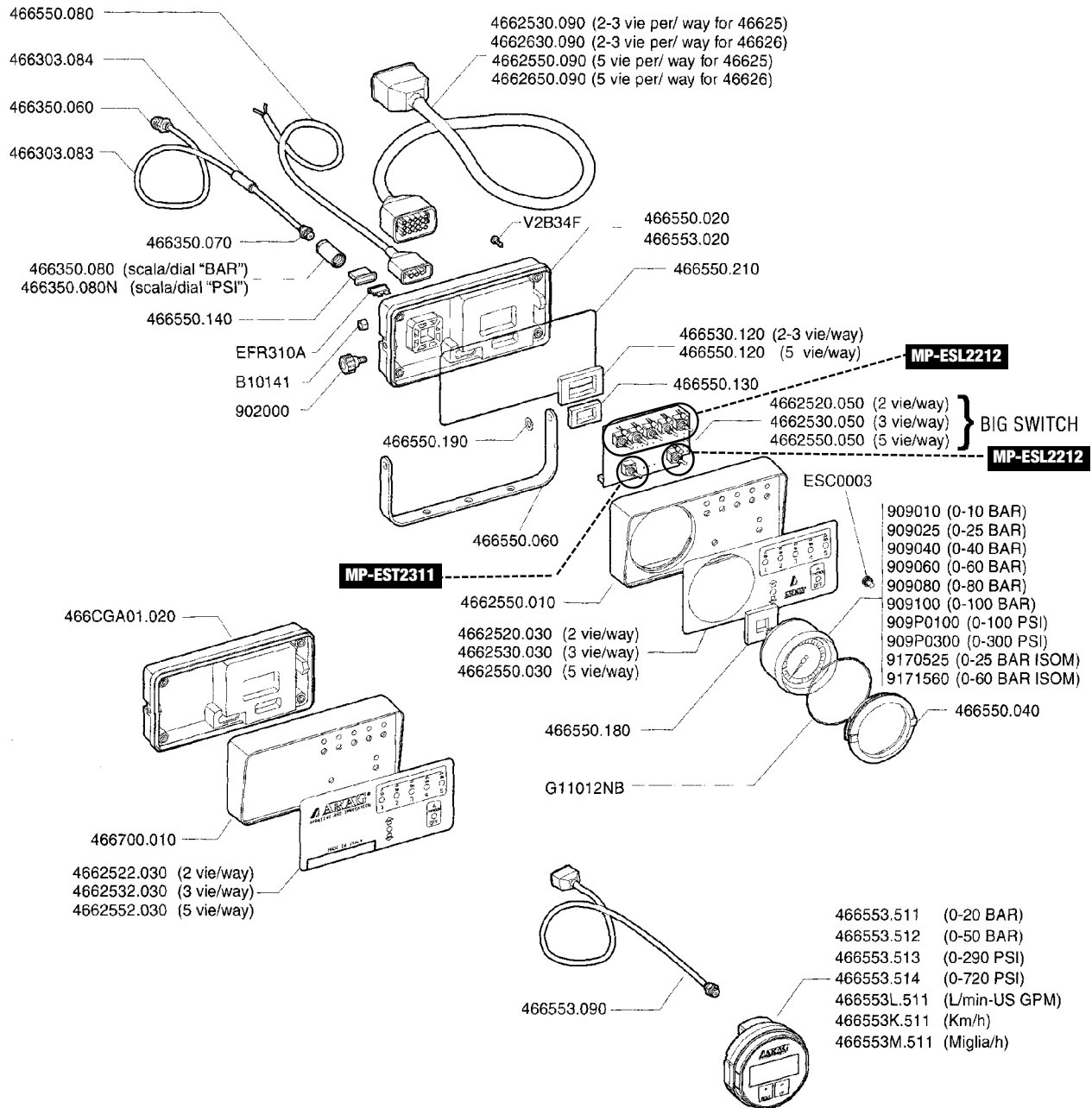
Valve régulatrice JB-244C34 Remote electrical regulating valve



| REF NO | DESCRIPTION | Q |
|--------|--|---|
| 1 | JB-CP3803658IZP Plastite screw, steel, zinc plated | 4 |
| 2 | JB-CP38028PP Cover, polypropylene, black | 1 |
| 3 | JB-CP38033 12VDC vertical motor & strain relief sub-assy | 1 |
| 4 | JB-CP380292EPR Grommet, EPDM rubber | 1 |
| 5 | JB-CP38039SS Butterfly, s.steel | 1 |
| 6 | JB-CP38034516SS Machine screw, s.steel | 1 |
| 7* | JB-CP38031EPR Gasket, EPDM rubber | 1 |
| 8 | JB-CP38077NY Washer, nylon | 1 |
| 9* | JB-CP77172106VI O-ring, viton | 1 |
| 10 | JB-CP3803834NYB Body, nylon, black NPT conn. | 1 |
| | JB-CPB3803834NYB Body, nylon, black BSPT conn. | 1 |
| | JB-AA244C34 Remote electrical regulating valve (NPT conn.) | 1 |
| | JB-AAB244C34 Remote electrical regulating valve (BSPT conn.) | 1 |
| | JB-AB244C34 Spare parts kit (includes all items marked with *) | |

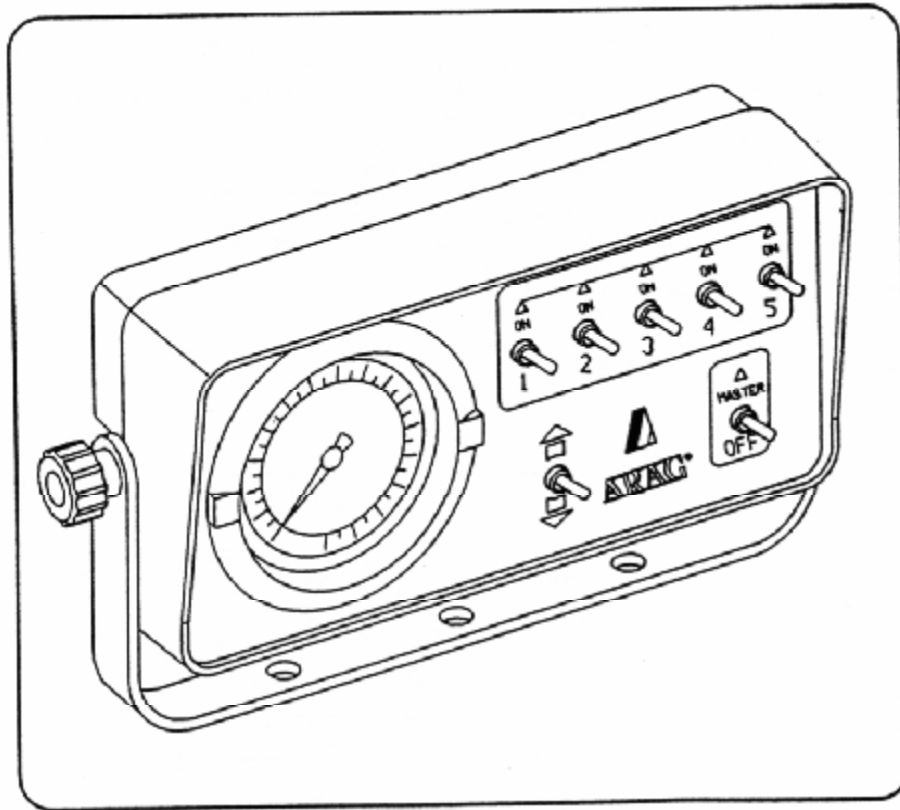
Ensemble de contrôles électriques • Electrical switch boxes assembly **MP-46625...**

Ajouter le préfixe "MP" avant le # de pièce, ex : MP-V2B26G
 Add the "MP" prefix before the part #, ex : MP-V2B26G

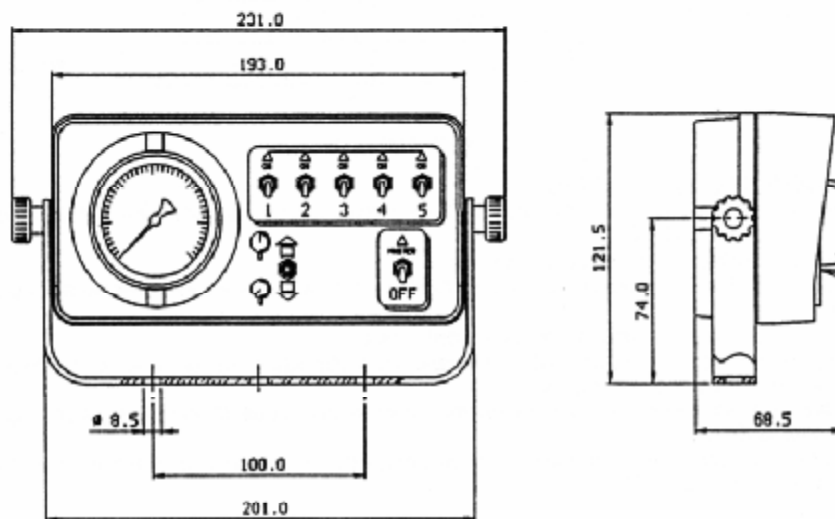


**ELECTRICAL SWITCH BOX
BOÎTE DE COMMANDES ÉLECTRIQUES**

Cod. 466520 - 466521
Cod. 466530 - 466531
Cod. 466550 - 466551

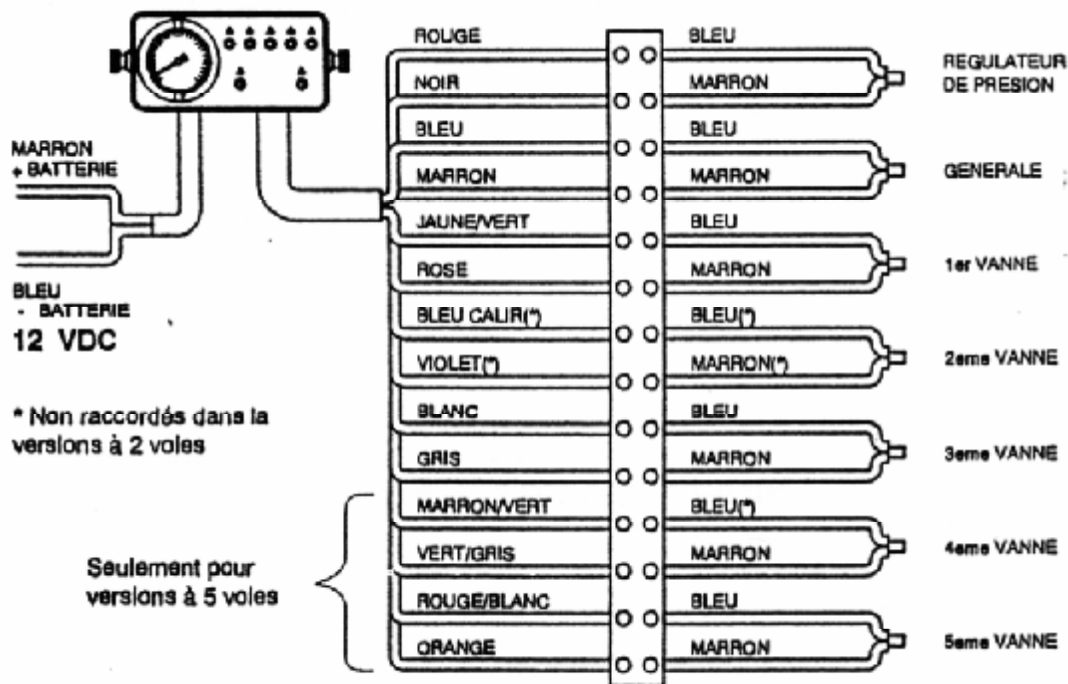


MISURE D'INGOMBRO - SIZES



FRANÇAIS**CABLAGE**

- Raccordez le fil marron du câble d'alimentation (A) à un point du circuit ayant une tension de 12V, si possible en aval de l'interrupteur à clé, qui est en mesure de débiter un courant d'au moins 8 A.
- Raccordez le fil bleu du câble d'alimentation au châssis; assurez-vous que le point d'ancrage choisi ait une bonne continuité électrique avec le pôle négatif de la batterie.
- Effectuez toutes les connexions comme indiqué dans la figure, en utilisant des bômes à vis ou des cosse: vérifiez que les raccordements sont stables pour éviter que les vibrations provoquent de faux contacts.
- Protégez les connexions entre le câble de la boîte de commande et les fils des électrovannes par un boîtier de dérivation (code 466010, comprenant aussi les bômes et les serre-câbles).
- Enduisez le filet du manomètre, sortant à l'arrière du boîtier, d'une mince couche de colle en faisant attention à ne pas boucher l'orifice d'entrée du manomètre
- Vissez la réduction (F) sur le filet du manomètre
- Vissez le raccord rapide fileté 1/8" (E) sur la réduction
- Vissez le raccord rapide 1/4" (C) à l'endroit où vous désirez, contrôler la pression
- Introduisez le, tuyau (D) dans les deux raccords
- Coupez le tuyau à la bonne distance et introduisez le joint (B)

**ENTRETIEN****REPLACEMENT DU MANOMETRE**

- Débranchez le tube de liaison du manomètre (D) du raccord à branchement rapide 1/8" (E) en maintenant appuyé l'anneau de ce dernier.
- Dévissez la réduction (F) du filet du manomètre.
- Appuyez et simultanément tournez l'anneau de fixation (L) de 90° dans le sens renverse aux aiguilles d'une montre.
- Enlevez le manomètre en appuyant sur le raccord arrière.
- Otez le joint (I) placé dans la partie arrière du manomètre démonté et montez-le sur le manomètre neuf.
- Introduisez le manomètre neuf dans le boîtier
- Introduisez l'anneau de fixation, appuyez et simultanément tournez de 90° dans le sens des aiguilles d'une montre pour le fixer.
- Revissez la réduction sur le filet du manomètre en utilisant de la colle et en faisant attention à ne pas boucher l'orifice d'entrée du manomètre.

REPLACEMENT DU FUSIBLE

- Enlevez le capuchon du fusible (G)
- Enlevez le fusible (H)
- Introduisez le fusible neuf en exerçant une légère pression, jusqu'à ce qu'il arrive en fin de course
- Remettez le capuchon du fusible

REPLACEMENT D'UN OU DE PLUSIEURS INTERRUPTEURS

- Enlevez le capuchon du fusible (G)
- Découvrez les connecteurs en faisant glisser les capuchons des 2 câbles de liaison
- Débranchez les câbles en maintenant les ailettes d'ancrage enfoncées.
- Dévissez les 4 vis de fixation (O) qui se trouvent sur la partie arrière du boîtier
- Dévissez les écrous de tous les interrupteurs et enlevez le circuit (N)
- Enlevez les interrupteurs en tenant le circuit.
- Montez les nouveaux interrupteurs en appuyant sur le fillet mais pas sur les leviers d'actionnement.
- Remontez tout en suivant la procédure inverse

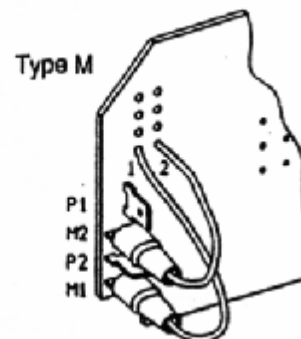
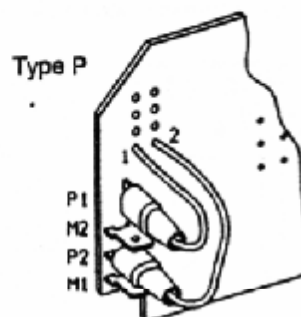
MODIFICATION DU TYPE DE FONCTIONNEMENT DU BOITIER DES COMMANDES

Le boîtier électrique a deux types de fonctionnement:

- Type M (standard): quand l'interrupteur de la vanne générale est commuté en position OFF, la soupape d'échappement est actionnée et automatiquement toutes les sections sont fermées, tandis que sur la position ON, chaque section est fermée ou ouverte suivant la position des interrupteurs correspondants.
- Type P (sur demande): chaque section est indépendante de la position de l'interrupteur général qui actionne seulement la vanne générale.

Pour changer le fonctionnement du Type M au Type P:

- enlevez le capuchon du fusible (G)
- découvrez les connecteurs en faisant glisser les capuchons des 2 câbles de liaison
- débranchez les câbles en maintenant les ailettes d'ancrage enfoncées
- dévissez les 4 vis de fixation (O) qui se trouvent à l'arrière du boîtier
- déplacez le câble, repéré sur le circuit par le chiffre 1, de la position M1 à la position P1
- déplacez le câble, repéré sur le circuit par le chiffre 2, de la position M2 à la position P2
- remontez l'ensemble en suivant la procédure inverse



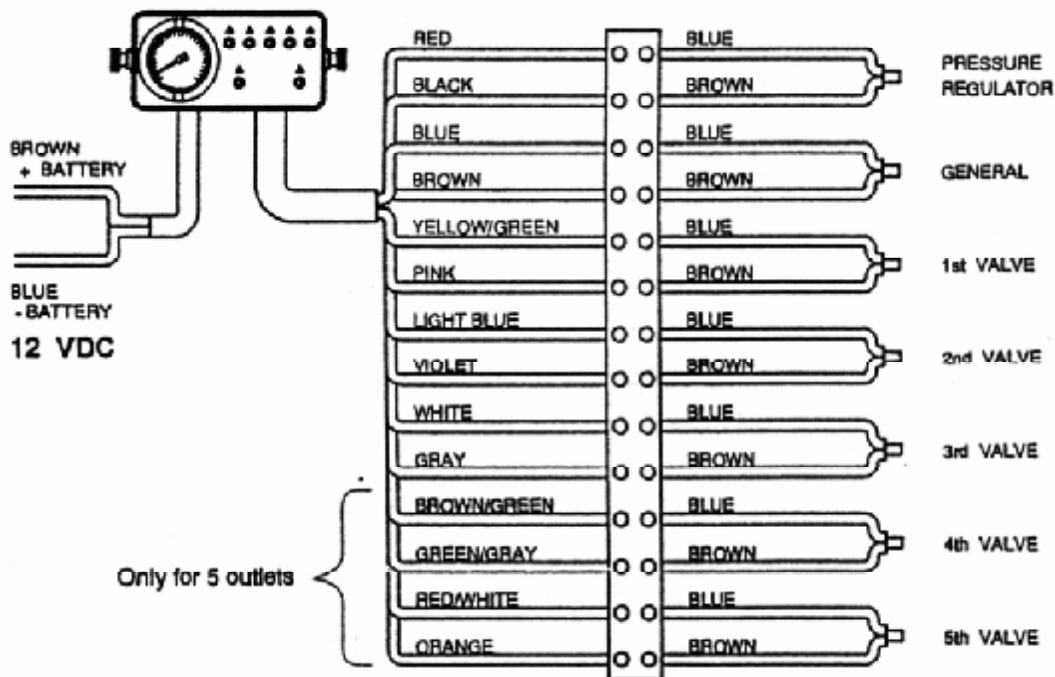
INCONVENIENTS ET REMEDES

| INCONVENIENT | CAUSE | REMEDE |
|--|---|---|
| Les leds s'allument mais les motoréducteurs ne fonctionnent pas | Fils débranchés | Contrôlez les raccordements électriques |
| Les leds sont éteints et les motoréducteurs ne fonctionnent pas | Fusible brûlé Pas d'alimentation | Contrôlez le fusible (H) Contrôlez l'alimentation |
| Quand les interrupteurs sont sur la position OFF les leds sont allumés | Fils d'alimentation inversés | Contrôlez le raccordement des fils d'alimentation |
| Fuite d'eau entre réduction (F) et le fillet | La réduction n'est pas vissée correctement ou sans colle | Vissez de nouveau réduction en utilisant de la colle. |
| Le manomètre indique toujours une pression 0 | L'orifice d'entrée du manomètre est bouché par de la colle. Manomètre défectueux | Contrôlez l'orifice d'entrée du manomètre et nettoyez-le Vérifiez le manomètre |

ENGLISH

CONNECTION

- Connect the power cord's brown wire (A) to a 12 V power outlet possibly downstream from the keylock switch and able to supply current at 8 A minimum
- connect the power cord's blue wire to the chassis making sure that the fastening point chosen has excellent electric continuity with the battery's negative pole
- make all the connections as shown the Figure using the screw or terminal end terminals. Ensure that the connections are securely tightened to avoid false contacts caused by vibration
- protect the connections between the control box cable and the electrovalves wires with a junction box (Ordering code N° 466010 including terminals and wire pass throughs)
- cover the gauge's threaded section (rear side) with a light coating of sealant but be careful not to clog the gauge inlet hole
- screw the reduction fitting (F) onto the gauge's threaded section
- screw the 1/8" threaded quick coupling (E) onto the reduction fitting
- screw the 1/4" threaded quick coupling (C) at the point where you want to check the pressure
- insert the hose (D) into the two fittings
- cut this hose at the correct place and insert the coupling (B)



* Non connected in the 2-way version

REPAIR INSTRUCTIONS

CHANGING THE GAUGE

- Remove the gauge connecting pipe (D) from the 1/8" threaded quick coupling (E). Hold down the release button on this latter
- unscrew the reduction section (F) from the gauge's threaded section
- press down on and, at the same time, turn the fastening ring (L) 90° counter clockwise
- remove the gauge itself by pushing down on the rear coupling
- remove the gasket (I) at the back of the gauge you have just removed and push it on the new gauge
- Insert the new gauge in the box
- Insert the fixing ring; push it down and at the same time turn it 90° clockwise to fasten the gauge
- screw the reduction back on the gauge's threaded section with a light coating of sealant and make sure the hole is not clogged

CHANGING THE FUSE

- Remove the fuse cap (G)
- remove the blown fuse (H)
- insert the new fuse and push gently down on it until it is all the way in
- replace the fuse cap

CHANGING ONE OR MORE SWITCHES

- Remove the fuse cap (G)
- uncover the connectors by pulling back the caps from the two connecting wires
- remove the wires by pinching back the fastening fins
- remove the 4 fastening screws (O) at the rear of the electric box
- remove the nuts from all the switches and remove the circuit board (N)
- hold the circuit board steady and remove the switches
- insert the new switches by pushing on the threaded section and not on the actuating levers
- re-assemble in reverse order

CHANGING CONTROL BOX OPERATING MODE

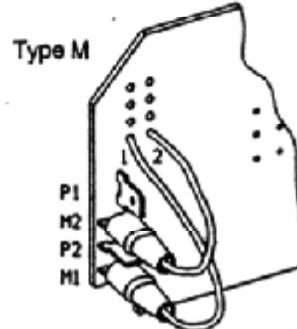
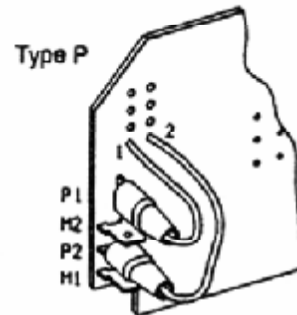
The electric control box has two kinds of operation:

Type M (standard): when the main switch is moved to OFF, any drain valves are actuated and all the sections are automatically closed. When the switch is on ON, the individual sections are open or closed depending on the positions of their switches

Type P (optional): the position of the individual sections is independent from that of the master switch which is therefore just the main switch

To change the operational mode from Type M to Type P:

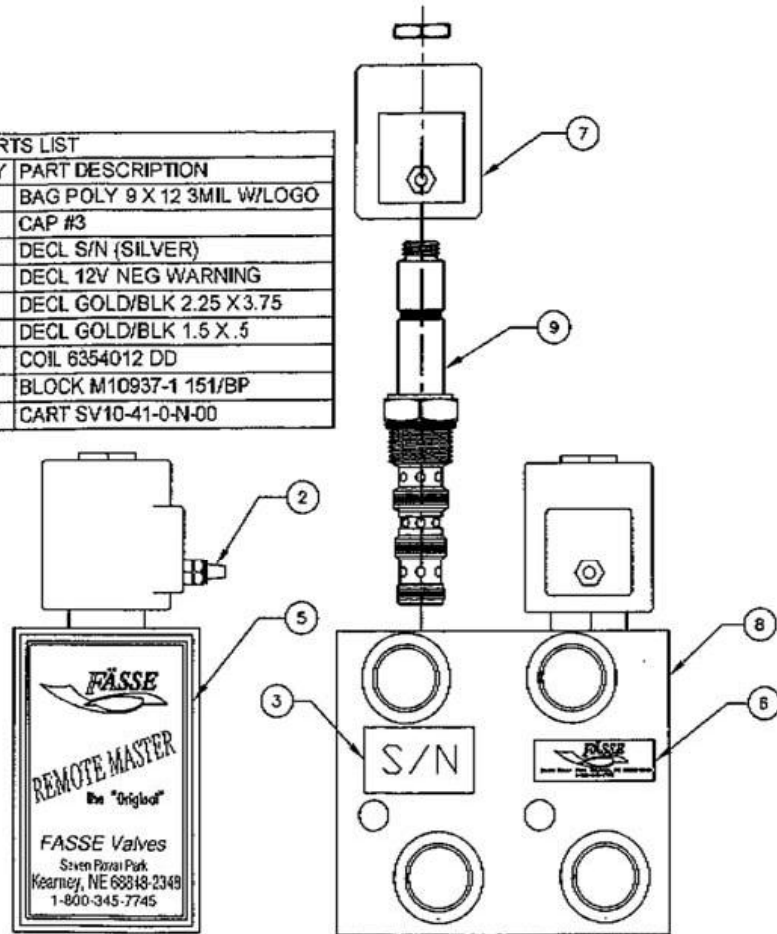
- remove the fuse cap (G)
- uncover the connectors by pulling back the caps from the two connecting wires
- remove the wires by pinching back the fastening fins
- remove the 4 fastening screws (O) at the rear of the electric box
- move wire marked 1 on the circuit board from position M1 to P1
- move wire marked 2 on the circuit board from position M2 to P2
- re-assemble in reverse order



TROUBLE SHOOTING

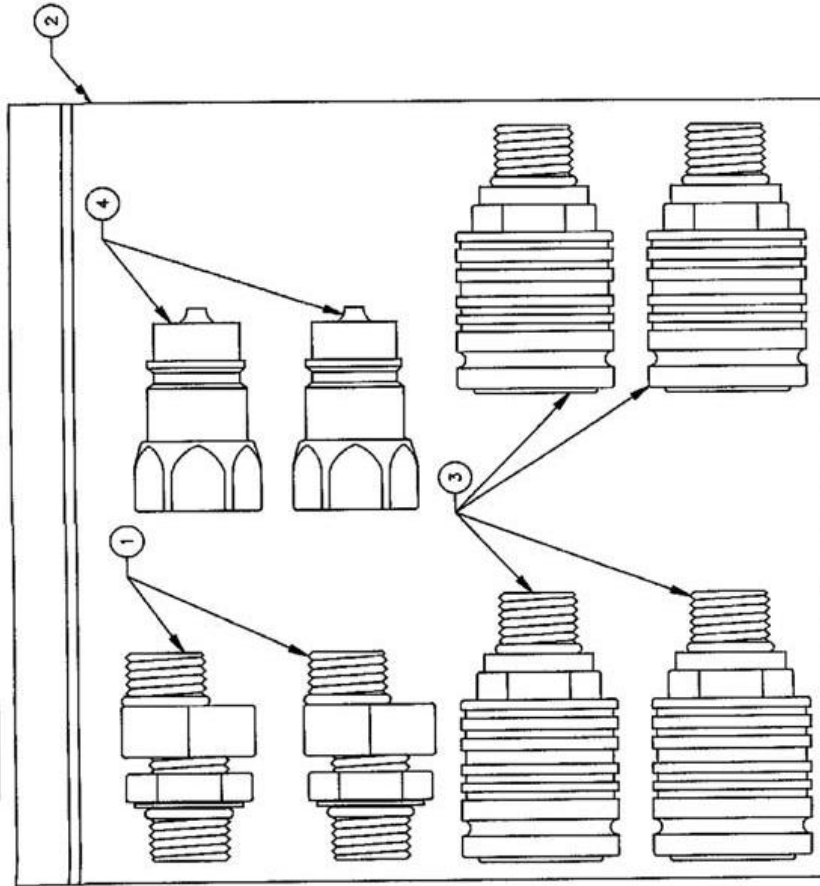
| <u>PROBLEM</u> | <u>TYPICAL CAUSE</u> | <u>REMEDY</u> |
|--|---|--|
| The LEDs light but geared motors do not run | Wires disconnected | Check electric connections |
| LEDs are out and geared motors do not run | Fuse (H) blown No power supply | Check fuse Check power supply |
| When switches are OFF the LEDs are lit | Supply wires switched around | Check power supply wires |
| Water leaks between reduction (F) and gauge threaded section | Reduction incorrectly screwed in or without sealant | Screw reduction in correctly using sealant |
| The gauge always reads a pressure of "0" | Gauge inlet hole is clogged by the sealant Defective gauge | Check inlet hole and clean it Check gauge |

| PARTS LIST | | | |
|------------|-------------|-----|-----------------------------|
| NO | PART NUMBER | QTY | PART DESCRIPTION |
| 1 | 230-056 | 1 | BAG POLY 9 X 12 3MIL W/LOGO |
| 2 | 230-095 | 2 | CAP #3 |
| 3 | 232-050 | 2 | DECL S/N (SILVER) |
| 4 | 232-054 | 1 | DECL 12V NEG WARNING |
| 5 | 232-055 | 1 | DECL GOLD/BLK 2.25 X 3.75 |
| 6 | 232-059 | 1 | DECL GOLD/BLK 1.5 X .5 |
| 7 | 253-003 | 2 | COIL 6354012 DD |
| 8 | 270-058 | 1 | BLOCK M10937-1 151/BP |
| 9 | 273-004 | 2 | CART SV10-41-0-N-00 |



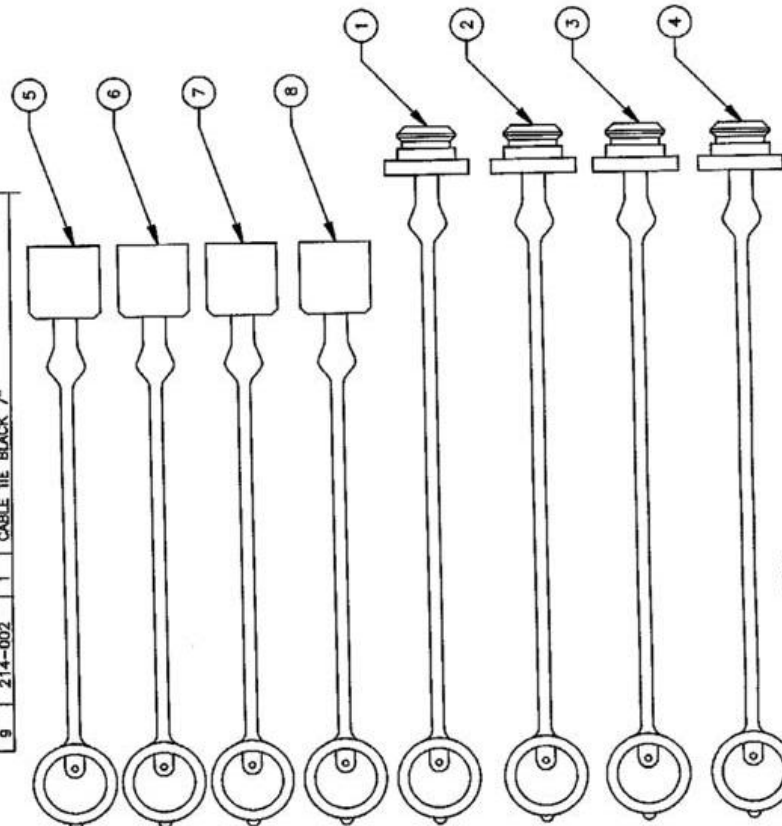
PARTS LIST

| N° | PART NUMBER | QTY | PART DESCRIPTION |
|----|-------------|-----|---------------------------------|
| 1 | 210-180 | 2 | FTG FASSE ORBIT ECCENTRIC |
| 2 | 230-080 | 1 | BAG 6 X 8 6MIL |
| 3 | 272-018 | 4 | CPLNG FASSE ISO POPPET FEMALE |
| 4 | 272-019 | 2 | CPLNG FASSE ISO POPPET MALE TIP |



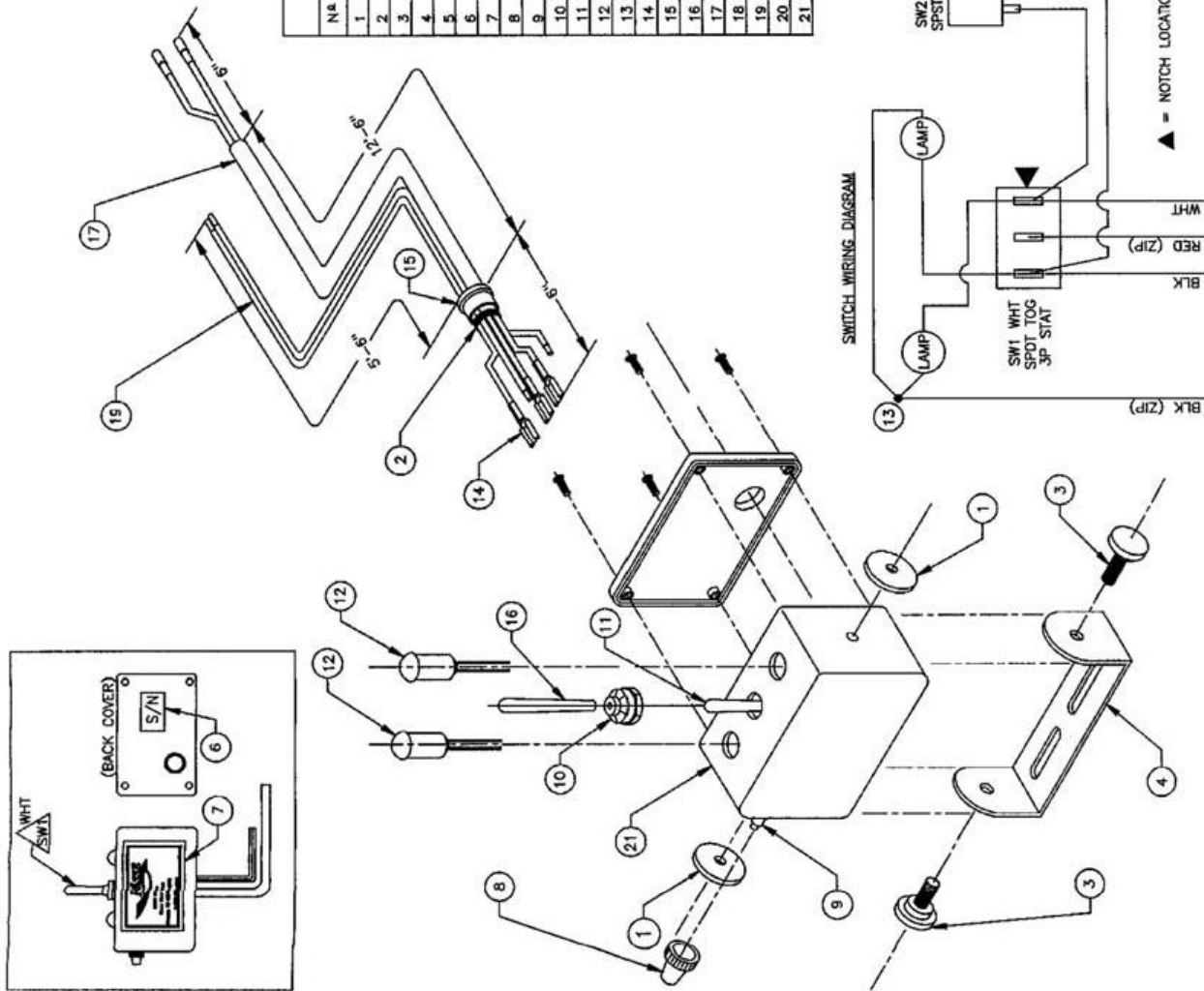
PARTS LIST

| N° | PART NUMBER | QTY | PART DESCRIPTION |
|----|-------------|-----|--------------------|
| 1 | 211-010 | 1 | DUST PLUG GREEN |
| 2 | 211-011 | 1 | DUST PLUG RED |
| 3 | 211-012 | 1 | DUST PLUG YELLOW |
| 4 | 211-014 | 1 | DUST PLUG BLUE |
| 5 | 211-016 | 1 | DUST CAP GREEN |
| 6 | 211-017 | 1 | DUST CAP RED |
| 7 | 211-018 | 1 | DUST CAP YELLOW |
| 8 | 211-020 | 1 | DUST CAP BLUE |
| 9 | 214-002 | 1 | CABLE TIE BLACK 7" |

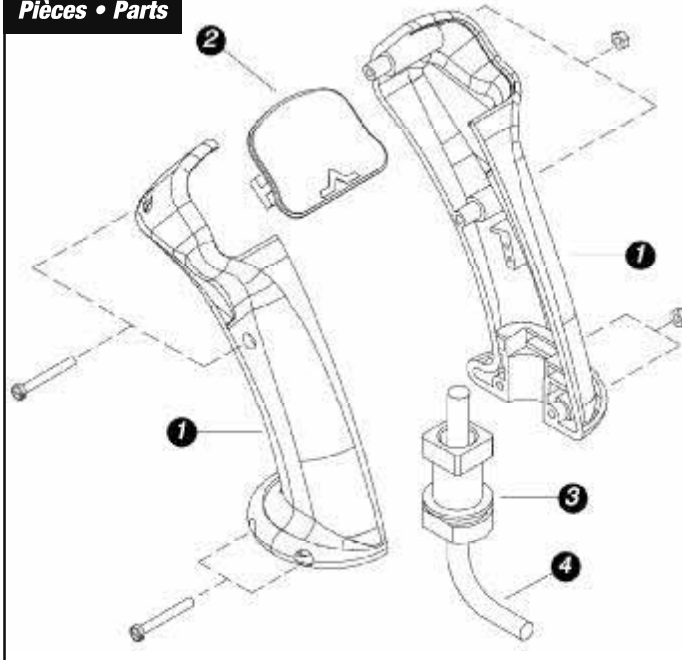


NOTE: 1. (9) NOT SHOWN.

| PARTS LIST | | | |
|------------|-------------|-----|-------------------------------------|
| NR | PART NUMBER | QTY | PART DESCRIPTION |
| 1 | 213-005 | 2 | WASHER RUBBER 1"ODx1/40x1/16TK |
| 2 | 214-002 | 13 | CABLE TIE BLACK 7" |
| 3 | 219-007 | 2 | SCREW THUMB BLK 1/4-20X1/2 |
| 4 | 219-008 | 1 | BRKT ALM 3.34" #1591L |
| 5 | 230-055 | 1 | BAG POLY 9 X 12 3MIL W/LOGO |
| 6 | 232-050 | 2 | DECL S/N (SILVER) |
| 7 | 232-056 | 1 | DECL GOLD/BLK 3 X 1.875 |
| 8 | 250-011 | 1 | SW PB BOOT CLR |
| 9 | 250-022 | 1 | SW PB SPST STAT |
| 10 | 250-023 | 1 | SW TOG BOOT OPN GRY |
| 11 | 250-043 | 1 | SW TOG SPDT 3P STAT LONG |
| 12 | 251-003 | 2 | LAMP 12V 1/2" SNAP RED |
| 13 | 255-030 | 1 | TRM SPLICE CLOSED END |
| 14 | 255-119 | 3 | TRM PO F INS 16-14GA |
| 15 | 259-001 | 1 | GROMMET 5000D SNAP |
| 16 | 259-004 | 1 | SW TOG GRIP VNTL WHIT .187 |
| 17 | 300-009 | 1 | HARNESS 2CON TB2 /13" |
| 18 | 300-010 | 1 | FUSE KIT 10 AMP |
| 19 | 300-271 | 1 | HARNESS R/B WIRE /6" |
| 20 | 301-002 | 1 | TRM KIT #1 /2BULLET |
| 21 | 304-513 | 1 | ENCL DRL 1591LEK-1X1/2S1X3/8PESK1/2 |

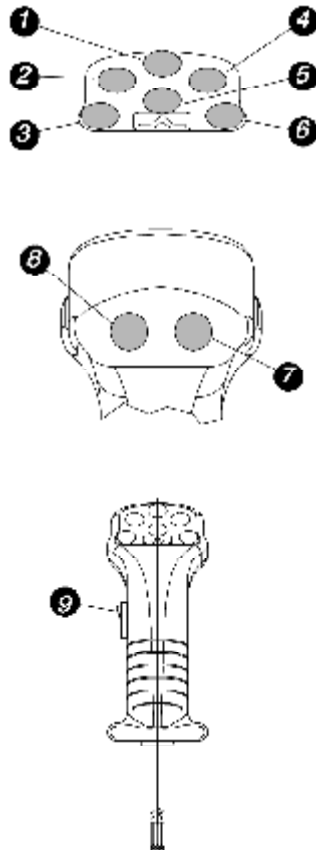


Pièces • Parts



| REF N° | DESCRIPTION | Q |
|--------|-------------------------|---|
| 1 | HB000 Half-shell | 2 |
| 2 | HB000 Holder plate | 1 |
| 3 | ME JOINT Mounting joint | 1 |
| 4 | N/D Cable | |

Interrupteurs • Switches



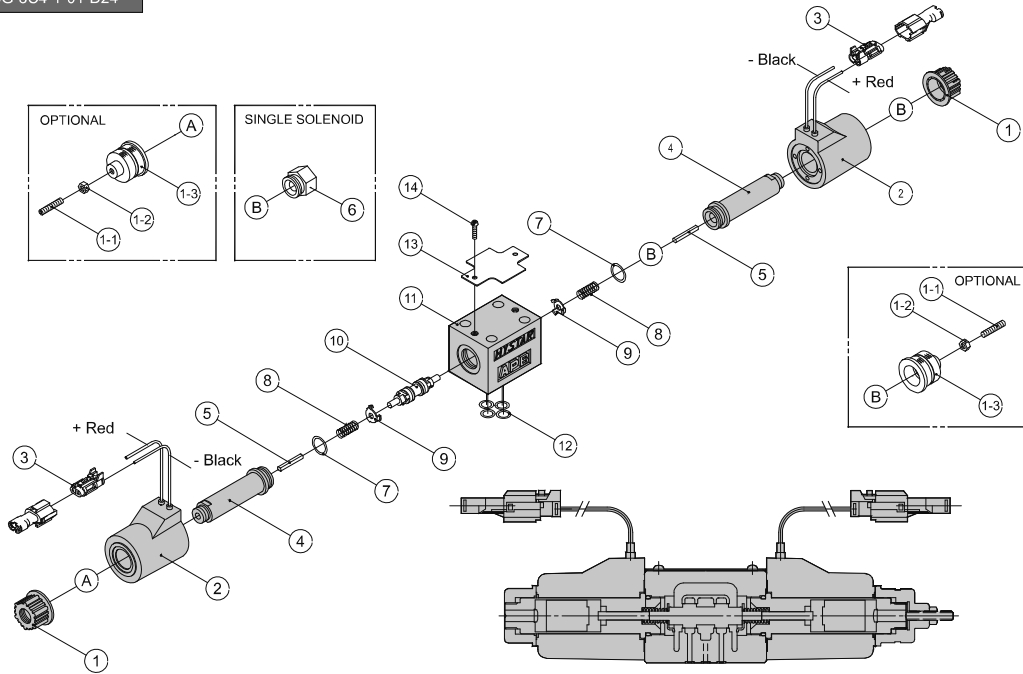
| REF N° | DESCRIPTION | Q |
|--------|------------------------------|---|
| 1 | B.R.H. (RED) | |
| 2 | B.B.H. (BLUE) | |
| 3 | B.V.H. (GREEN) | |
| 4 | B.B.H. (BLUE) | |
| 5 | B.Y.H. (YELLOW) | |
| 6 | B.V.H. (GREEN) | |
| 7 | B.G.H. (GRAY) | |
| 8 | B.G.H. (GRAY) | |
| 9 | CA-JOYSTSWITCH ROCKER SWITCH | |



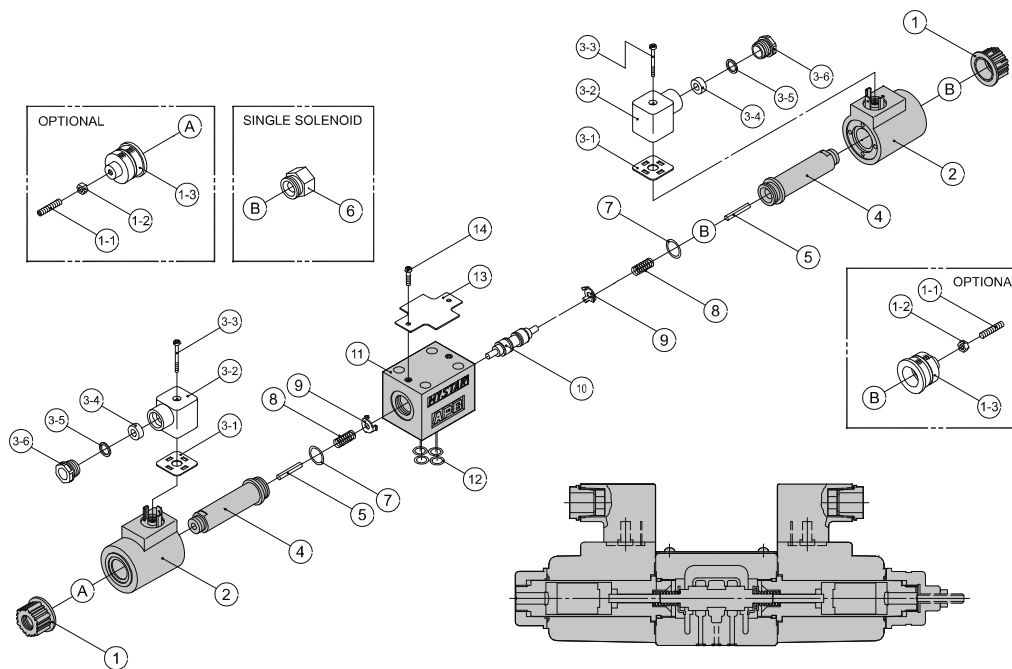
"DSG" DIRECTIONAL VALVES

A

ASSEMBLY
DSG-3C4-Y-01-D24



ASSEMBLY
DSG-3C2-N-01-D24





"DSG" DIRECTIONAL VALVES

A

PARTSLIST OF "DSG-01/03-(N)" SERIES

| NO | PART NAME | DSGX-01 | DSG-01-AC | DSG-01-DC | DSG-03-AC | DSG-03-DC |
|-----|----------------|------------|------------|------------|------------|------------|
| 1 | Lock Nut | GX01001 | G01001 | G01001 | G03001 | G03001 |
| 2 | Coil | GX01002(★) | G01002(★) | G01002(★) | G03002(★) | G03002(★) |
| 4 | Solenoid Core | GX01004 | G01004A | G01004D | G03004A | G03004D |
| 5 | Push Pin | GX01005 | G01005 | G01005 | G03005 | G03005 |
| 6/B | Back Cover | GX01006 | G01006 | G01006 | G03006 | G03006 |
| 7 | O-Ring | P18 x 2pcs | P18 x 2pcs | P18 x 2pcs | P21 x 2pcs | P21 x 2pcs |
| 8 | Spring | GX01008 | G01008 | G01008 | G03008(◆) | G03008(◆) |
| 9 | Retainer | G01009 | G01009 | G01009 | G03009 | G03009 |
| 9-1 | Spring stop | ----- | ----- | ----- | G03009-1 | G03009-1 |
| 10 | Spool | G01010(※) | G01010(※) | G01010(※) | G03010(※) | G03010(※) |
| 11 | Body | G01011 | G01011 | G01011 | G03011 | G03011 |
| 12 | O-Ring | P9 x 4pcs | P9 x 4pcs | P9 x 4pcs | P12 x 5pcs | P12 x 5pcs |
| 16 | Detent Guide | G01016 | G01016 | G01016 | G03016 | G03016 |
| 17 | Detent Kit | G01017 | G01017 | G01017 | G03017 | G03017 |
| 18 | Detent Hold | ----- | ----- | ----- | G03018 | G03018 |
| A | Stroke Limiter | GX01SLA | G01SLA | G01SLA | G03SLA | G03SLA |
| 1-1 | Fixing Screw | GX01SL1 | G01SL1 | G01SL1 | G03SL1 | G03SL1 |
| 1-2 | Steel Nut | GX01SL2 | G01SL2 | G01SL2 | G03SL2 | G03SL2 |
| 1-3 | Lock Nut | GX01SL3 | G01SL3 | G01SL3 | G03SL3 | G03SL3 |

DIN CONNECTOR TYPE 'DIN 43650'

| NO | PART NAME | DSGX-N-01 | DSG-N-01-AC | DSG-N-01-DC | DSG-N-03-AC | DSG-N-03-DC |
|-----|---------------|-------------|-------------|-------------|-------------|-------------|
| 3 | DIN Connector | 43650 AC/DC | 43650 AC | 43650 DC | 43650 AC | 43650 DC |
| 13 | Nameplate | G01013(※) | G01013(※) | G01013(※) | G03013(※) | G03013(※) |
| 14 | Fixing Screw | G01014 | G01014 | G01014 | G03014 | G03014 |
| 3-1 | Gasket | 43650-1 | 43650-1 | 43650-1 | 43650-1 | 43650-1 |
| 3-2 | Housing | 43650-2 | 43650-2 | 43650-2 | 43650-2 | 43650-2 |
| 3-3 | Fixing Screw | 43650-3 | 43650-3 | 43650-3 | 43650-3 | 43650-3 |
| 3-4 | Grommet | 43650-4 | 43650-4 | 43650-4 | 43650-4 | 43650-4 |
| 3-5 | Washer | 43650-5 | 43650-5 | 43650-5 | 43650-5 | 43650-5 |
| 3-6 | Gland Nut | 43650-6 | 43650-6 | 43650-6 | 43650-6 | 43650-6 |

LEAD-WIRE TYPE 'SWP CONNECTOR'

| NO | PART NAME | DSGX-01 | DSG-01-AC | DSG-01-DC | DSG-03-AC | DSG-03-DC |
|----|---------------|-------------|-------------|-------------|-------------|-------------|
| 3 | SWP Connector | ST 730496-3 | ST 730496-3 | ST 730496-3 | ST 730496-3 | ST 730496-3 |
| 13 | Nameplate | G01013(※) | G01013(※) | G01013(※) | G03013(※) | G03013(※) |
| 14 | Fixing Screw | G01014 | G01014 | G01014 | G03014 | G03014 |

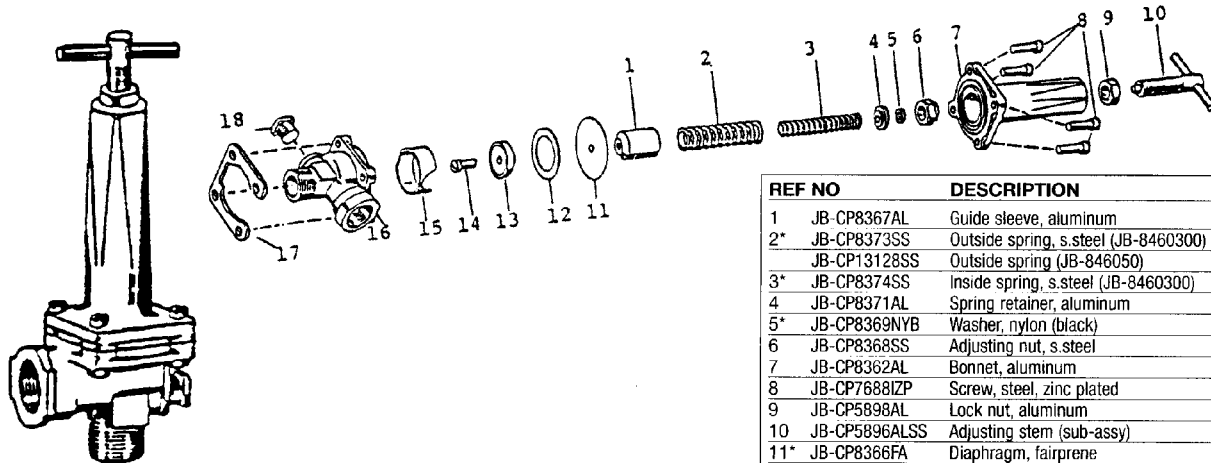
TERMINAL BOX TYPE

| NO | PART NAME | DSGX-01 | DSG-01-AC | DSG-01-DC | DSG-03-AC | DSG-03-DC |
|----|---------------|------------|------------|------------|------------|------------|
| 3 | Terminal Box | Ele TB ACT | Ele TB ACT | Ele TB DCT | Ele TB ACT | Ele TB DCT |
| 13 | Nameplate | G01013E(※) | G01013E(※) | G01013E(※) | G03013E(※) | G03013E(※) |
| 14 | Fixing Screw | G01014P | G01014P | G01014P | G03014P | G03014P |
| 15 | O-Ring | P4 x 2 pcs | P4 x 2 pcs | P4 x 2 pcs | P4 x 2 pcs | P4 x 2 pcs |
| 3A | Terminal Box | Ele TB AC | Ele TB AC | Ele TB DC | Ele TB AC | Ele TB DC |
| 3B | Plastic Cover | GPC96 | GPC96 | GPC96 | GPC96 | GPC96 |
| 3C | Fixing Screw | GPC96S | GPC96S | GPC96S | GPC96S | GPC96S |

※: Spool Type: 2B2,2B3,3C2,3C3,3C4.....

★: Coil Voltages:A110,A220.,D12,D24.,RAC110,RAC220.....

◆: Spring: The spool between 3C2-03 & 3C6-03 is different.

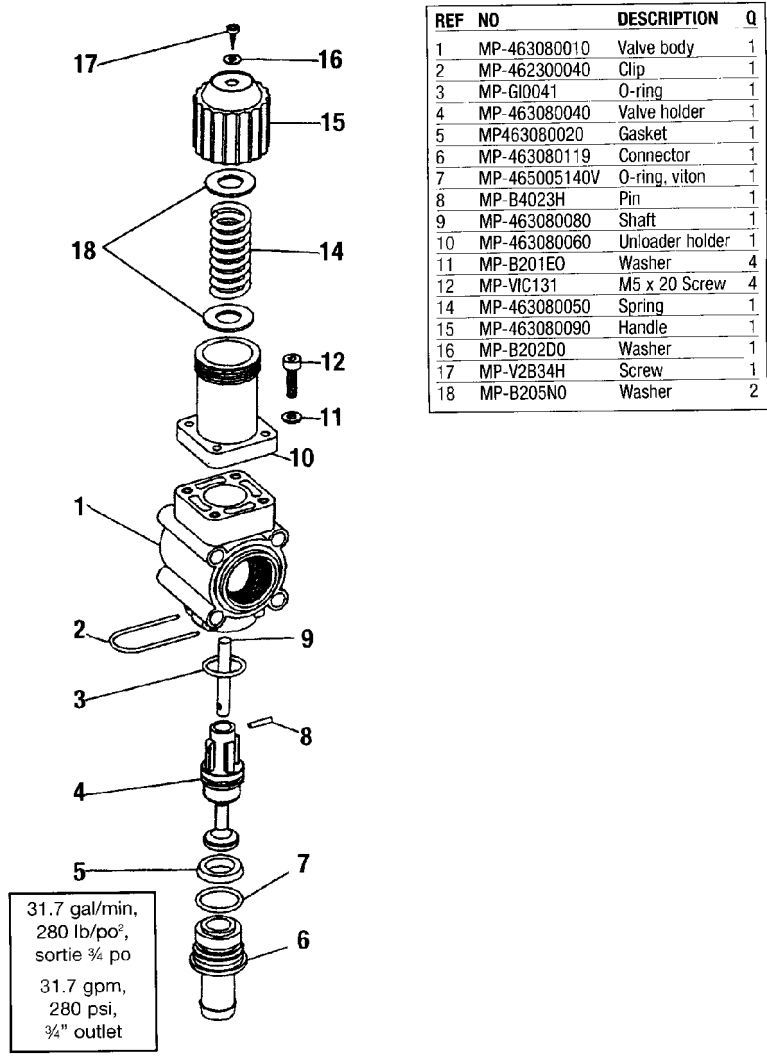


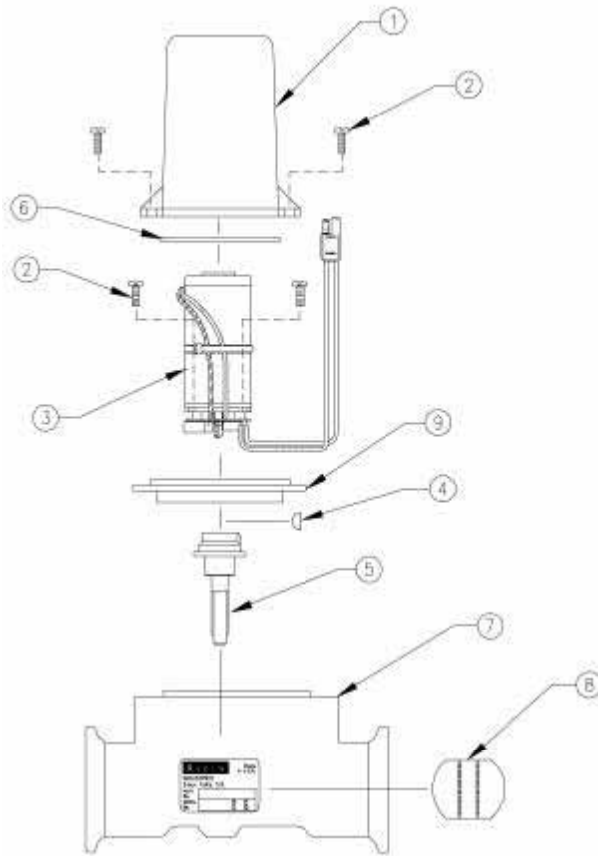
Ce régulateur raccordé au sélecteur 17Y permet d'augmenter ou de réduire la pression du système en tournant la poignée sur le dessus du régulateur. Avec une pompe centrifuge, ce régulateur est remplacé par une valve à billes.

This regulator hooked-up with the 17Y selector allows the operator to increase or decrease the pressure by turning the handle on this regulator. This is replaced by a ball-valve on centrifugal pump.

| REF NO | DESCRIPTION | Q |
|--------|---|---|
| 1 | JB-CP8367AL Guide sleeve, aluminum | 1 |
| 2* | JB-CP8373SS Outside spring, s. steel (JB-8460300) | 1 |
| | JB-CP13128SS Outside spring (JB-846050) | 1 |
| 3* | JB-CP8374SS Inside spring, s. steel (JB-8460300) | 1 |
| 4 | JB-CP8371AL Spring retainer, aluminum | 1 |
| 5* | JB-CP8369NYB Washer, nylon (black) | 1 |
| 6 | JB-CP8368SS Adjusting nut, s. steel | 1 |
| 7 | JB-CP8362AL Bonnet, aluminum | 1 |
| 8 | JB-CP7688IZP Screw, steel, zinc plated | 4 |
| 9 | JB-CP5898AL Lock nut, aluminum | 1 |
| 10 | JB-CP5896ALSS Adjusting stem (sub-assy) | 1 |
| 11* | JB-CP8366FA Diaphragm, fairprene | 1 |
| 12 | JB-CP8365304SS Stop ring, type 304, s. steel | 1 |
| 13* | JB-CP8364NYB Back-up seat, nylon (black) | 1 |
| 14 | JB-CP8477SS Screw, s. steel | 1 |
| 15 | JB-CP8389304SS Chamber insert, type 304, s. steel | 1 |
| 16 | JB-CP836112NYB Body, nylon (black) (JB-846012) | 1 |
| | JB-CP836134NYB Body, nylon (black) (JB-846034) | 1 |
| 17 | JB-CP9017IZP Clamp plate, steel, zinc plated | 1 |
| 18 | JB-840014PPB Pipe plug, polypropylene (black) | 1 |
| | JB-AB8460 Repair kit, incl. all items marked with * | |

Vanne régulatrice de pression manuelle • Manual pressure relief valve MP-463080





When servicing Valve :

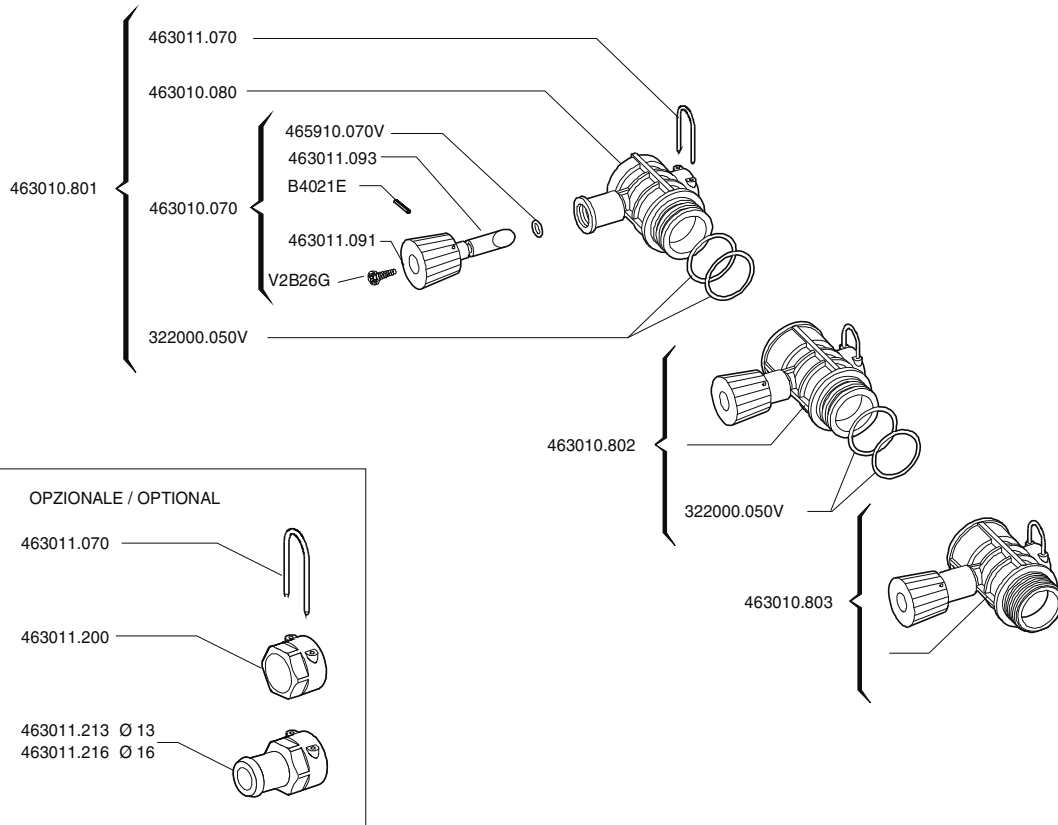
Replace valve body with iso-body kit (item 10) if valve has been leaking internally.

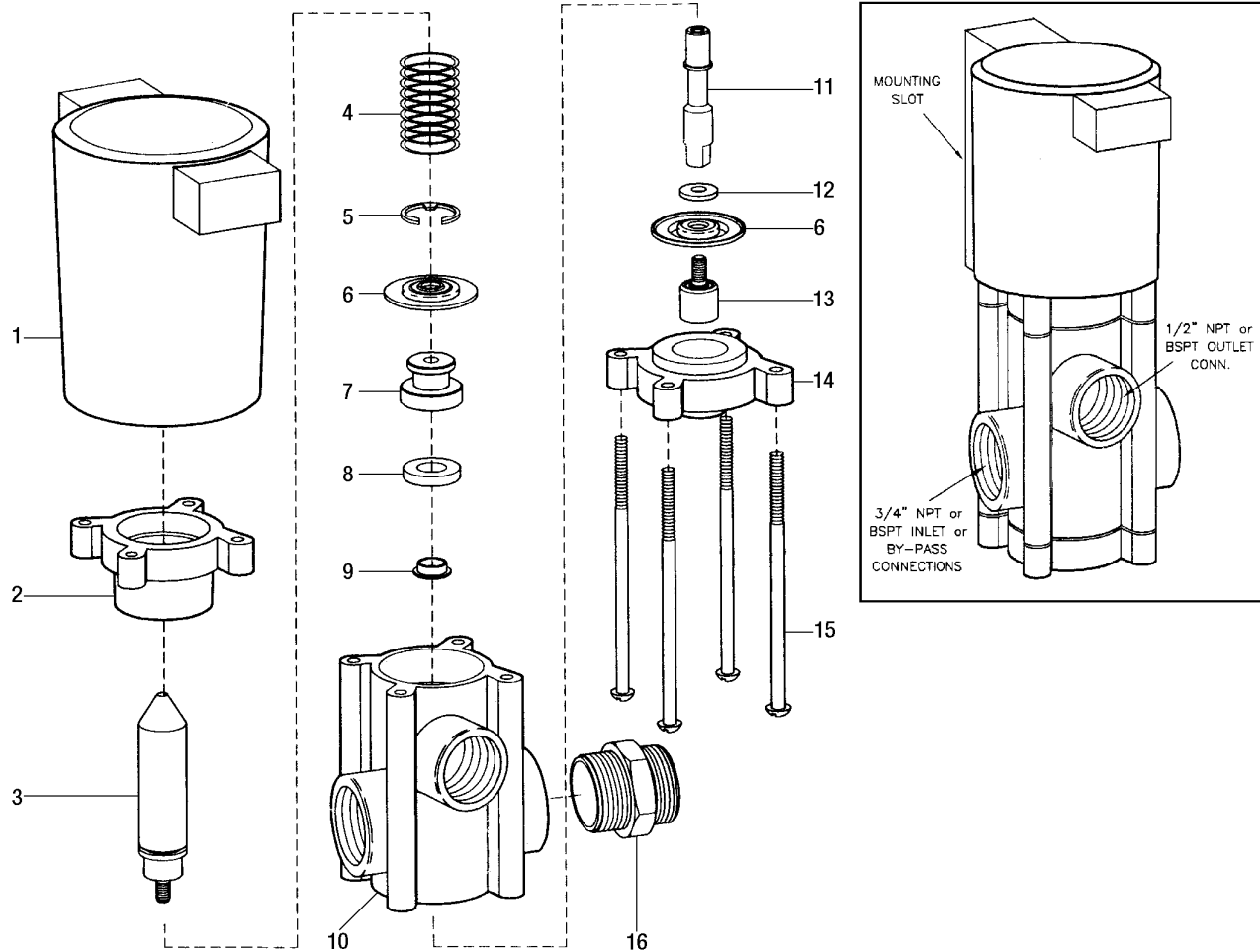
Replace motor assembly if the motor will not run.

Before reassembling valve, remove the coupler shaft from the valve body. Apply Loctite (item 12) to coupler shaft and woodruff key (tem 4) onto the motor shaft. Plug motor into the valve connector coming from Sprayer Control Console. Check that the motor rotates in both directions. Motor must stop when coupler shaft CAM releases printed circuit board button.

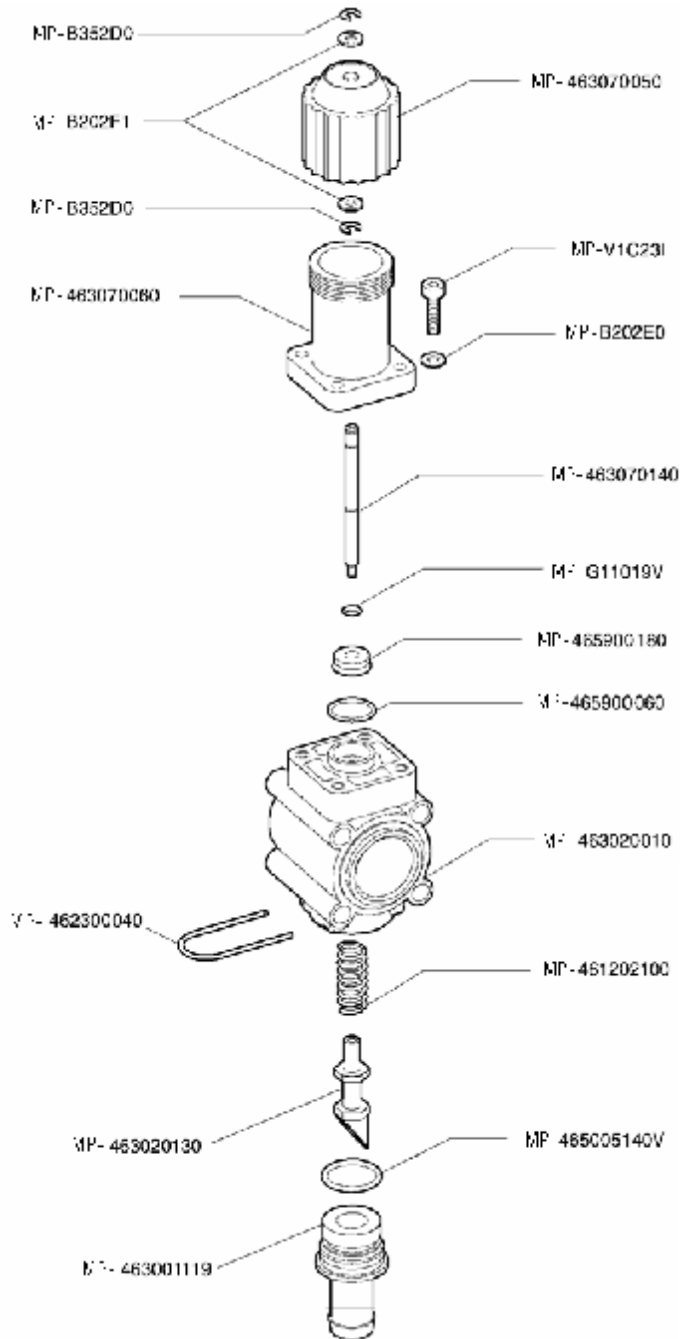
When reassembling valve, grease both sealing surfaces of coupler shaft. Insert coupler shaft into iso-flange and be sure seal properly seats on shaft. Install motor on valve body and apply silicon sealant to mounting holes. Reassemble remaining items as shown in parts diagram.

| REF N° | DESCRIPTION |
|----------------------------------|--|
| 1 | RA-1060159407 Valve Cover |
| 2 | RA-3210000256 #6-32 X3/4' Lg. Screw |
| 3 | RA-0630159409 Motor Assembly |
| 4 | RA-3210000062 Woodruff Key |
| 5 | RA-0630171893 Coupler Shaft Ass. (1 1/2" valve) |
| 6 | RA-2190000020 Seal Tetraseal |
| 7 | RA-0630171892 Valve Body Ass. (1 1/2" valve) |
| 8 | RA-1060159414 Butterfly (1 1/2" valve) |
| 9 | RA-0630159457 Isolation Flange Assembly |
| 10 | RA-1150159415 *Iso-Body Kit (1 1/2" Valve) (Not shown) |
| 11 | RA-1150159415 *Polarity Reversal Jumper (Not shown) |
| 12 | RA-2221001050 Loctite RC-609 (Not Finished) |
| *NOT SUPPLIED WITH STANDARD UNIT | |



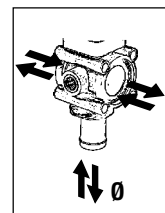
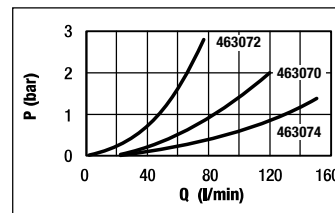


| REF NO | DESCRIPTION | Q |
|------------|--|---|
| 1 | JB-CP45632 Coil assy, nylon encapsulated (black), aluminum | 1 |
| 2 | JB-CP15164NYB Upper diaphragm housing, nylon, glass filled (black) | 1 |
| 3 | JB-CP45634430FRS Armature, type 430FR s. steel | 1 |
| 4* | JB-CP45637SS Spring, type 302, s. steel | 1 |
| 5 | JB-CP148132IENP Retaining ring, steel, electroless nickel plated | 1 |
| 6* | JB-CP36101VI Diaphragm, viton rubber | 2 |
| 7 | JB-14807SS Seat washer retainer, s. steel | 1 |
| 8* | JB-14802VI Seat washer, viton rubber | 1 |
| 9 | JB-14811SS Spacer, s. steel | 1 |
| 10 | JB-CP14801PP Body, polypropylene (black) | 1 |
| 11 | JB-14812SS Stem, s. steel | 1 |
| 12 | JB-14806SS Washer, s. steel | 1 |
| 13 | JB-CP15162SS Lower diaphragm piston, s. steel | 1 |
| 14 | JB-CP15165NYB Lower diaphragm housing, glass filled nylon (black) | 1 |
| 15 | JB-14819SS Screw, s. steel | 4 |
| 16 | JB-M3400NY40 Connecting nipple, nylon (black) | 1 |
| | Use only for multiple units | |
| JB-AA144P1 | One unit DirectoValve, complete | |
| JB-AA144P2 | Two unit DirectoValve, complete | |
| JB-AA144P3 | Three unit DirectoValve, complete | |
| JB-AB144P1 | Spare parts kit (incl. one set of items marked with *) | |

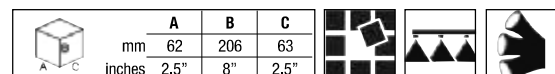


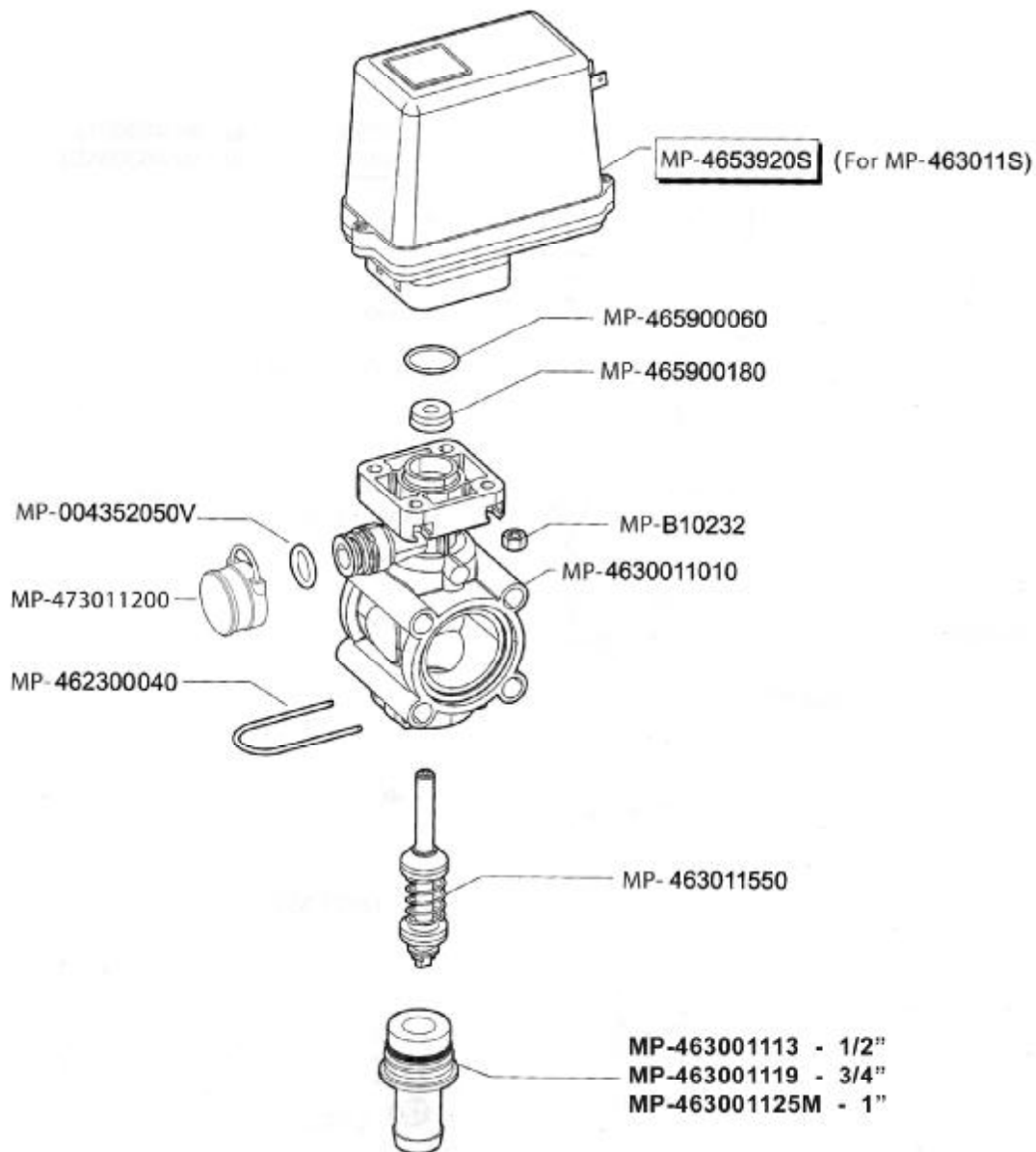
- Adjusts the flow in the control units in which treatments vary in proportion with engine rpm (DPM)
- Fibreglass-reinforced Nylon body
- Internal parts in Delrin® and AISI 303 stainless steel
- Gaskets made of Viton®
- Internal resettable fuse (disconnecting power for 20 seconds)

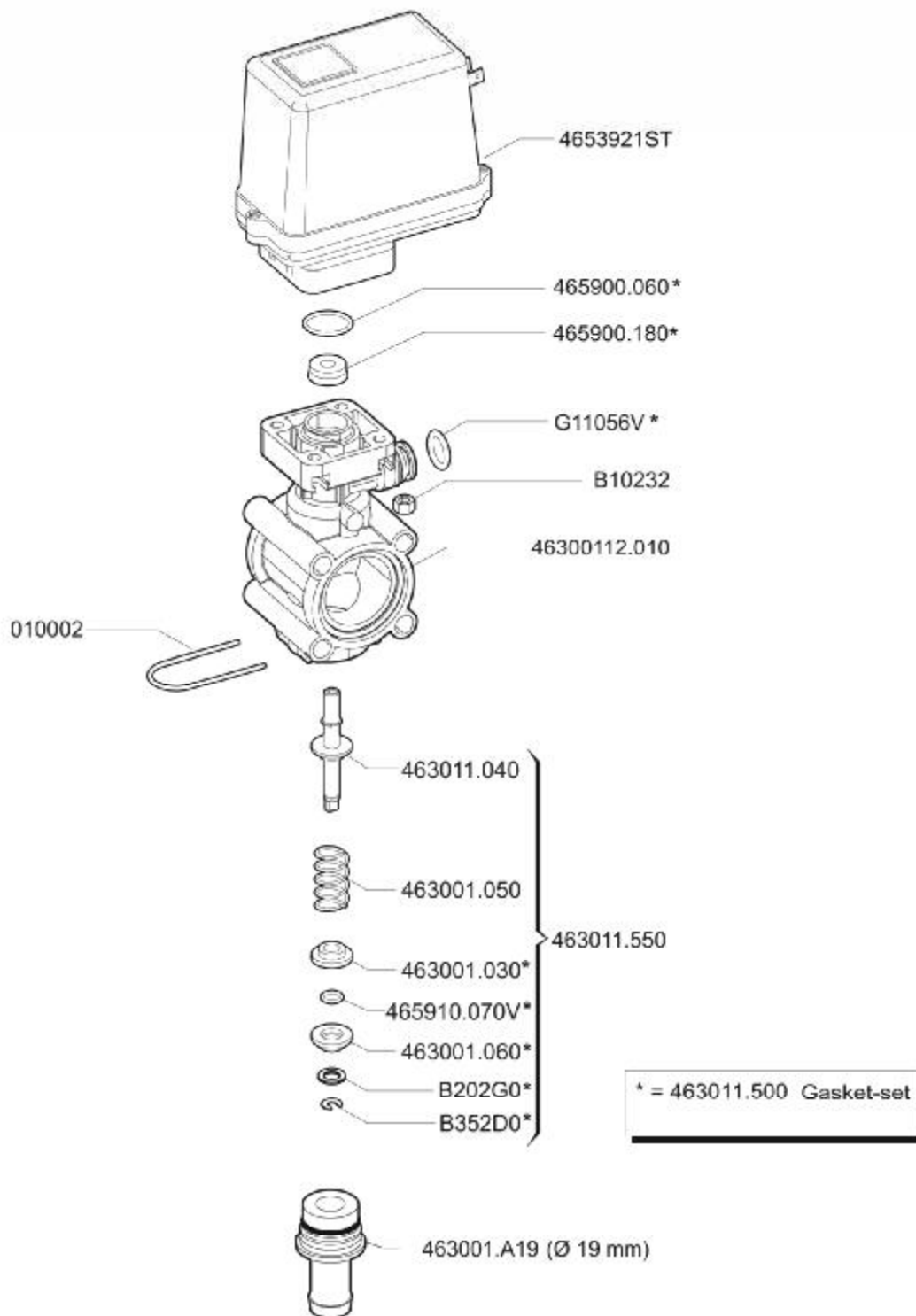
Manual proportional control valve



| COD. | Pressure | | Flow | | Ø | |
|---------------|----------|-----|------|--------|----|--------|
| | BAR | PSI | l/1' | US GPM | mm | inches |
| 463072 | 40 | 580 | 60 | 16 | 13 | 1/2" |
| 463070 | | | 100 | 26 | 19 | 3/4" |
| 463074 | | | 150 | 40 | 25 | 1" |





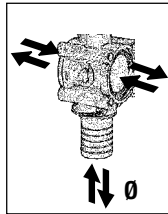
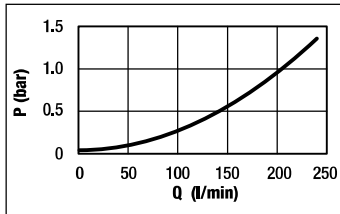


Vanne de réglage proportionnelle • Proportional control valve

MP-473020S

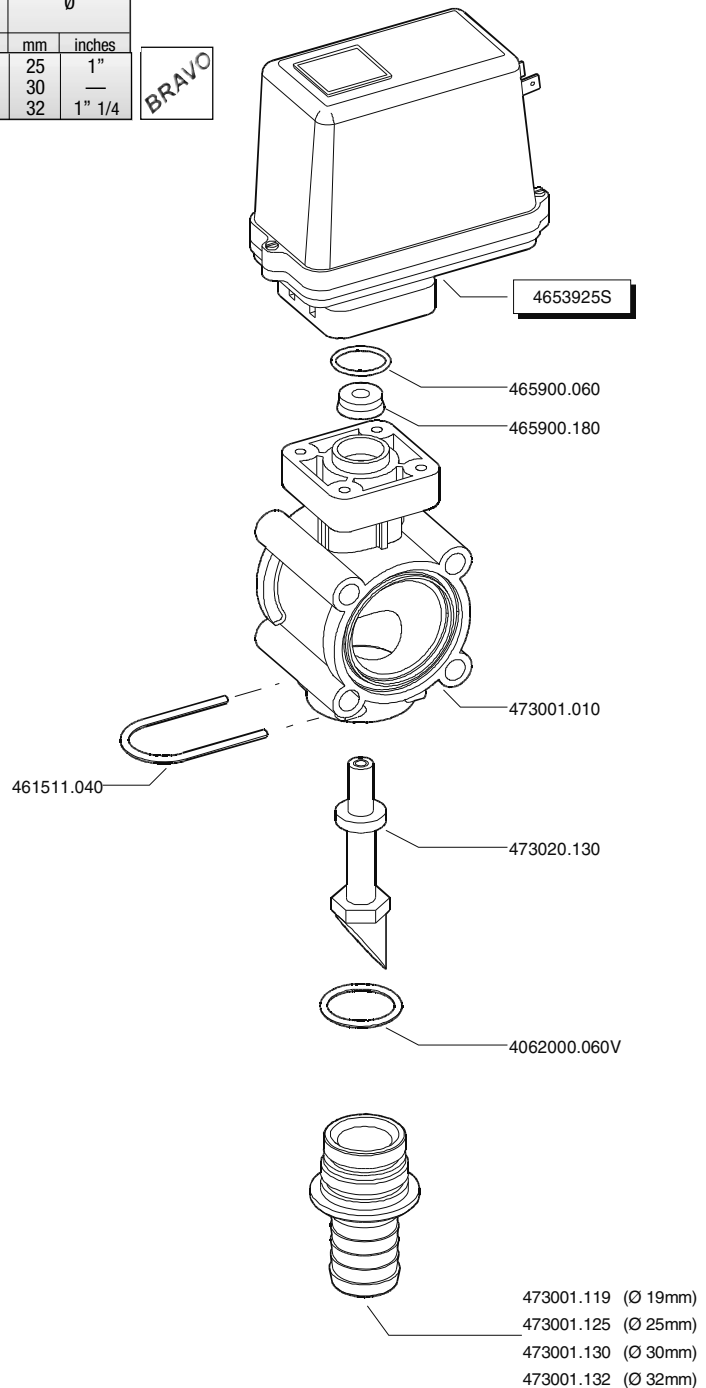
Electric proportional control valve

- Internal resettable fuse (disconnecting power for 20 seconds)





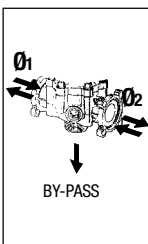
| COD. | Pressure | | Response time | Voltage | Current | Flow rate | | Port size | |
|----------------|----------|-----|---------------|----------------|---------|-----------|----------------|-------------------|--------------|
| | BAR | PSI | | | | l/min | US GPM | mm | inches |
| 473020S | 20 | 290 | 7 sec. | 12Vdc 0.5 A | 240 | 63 | 25 30 32 | 1" — 1" 1/4 | BRAVO |


| | A | B | C |
|--------|------|------|------|
| mm | 62 | 240 | 111 |
| inches | 2.5" | 9.5" | 4.5" |

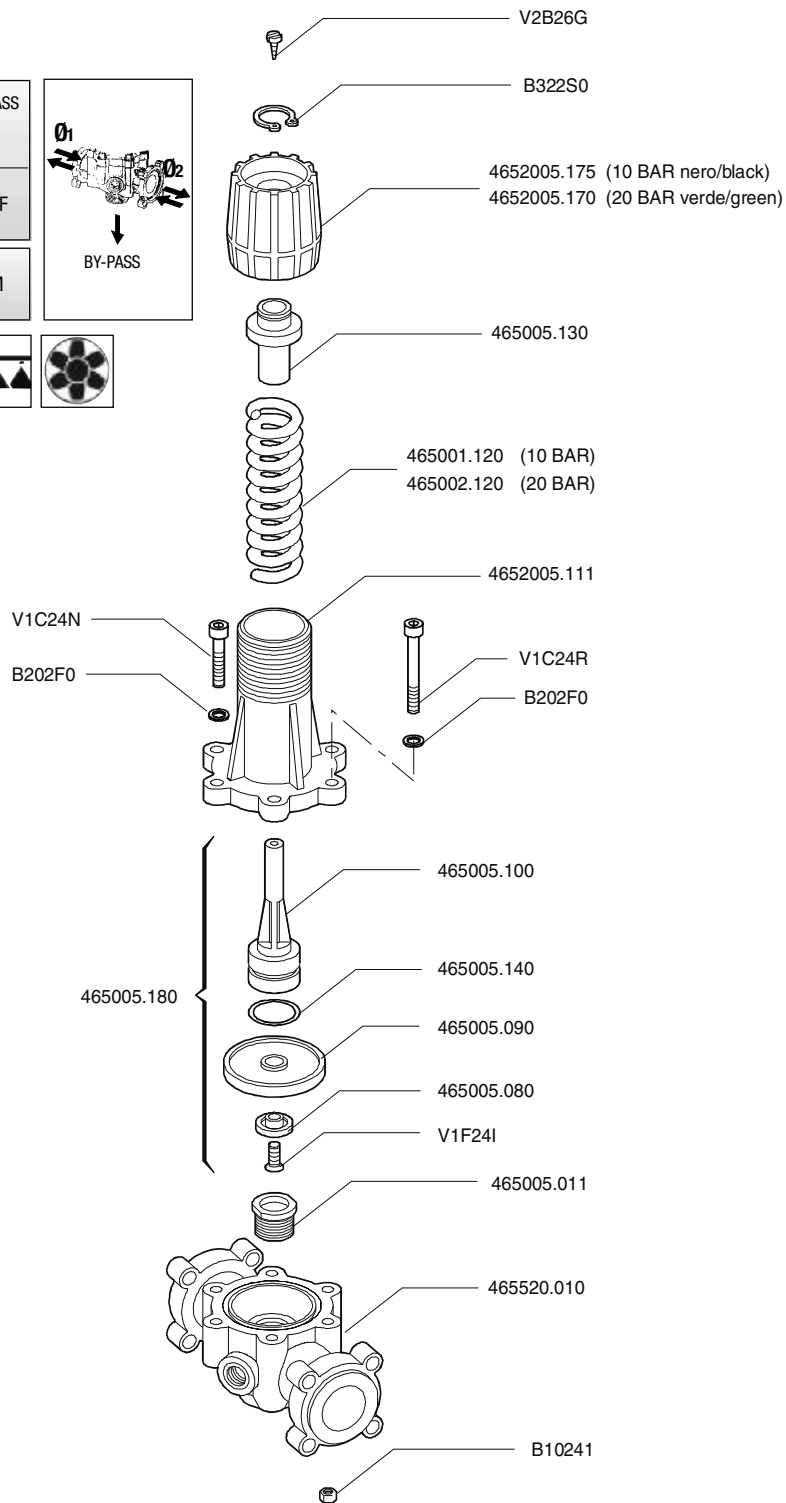


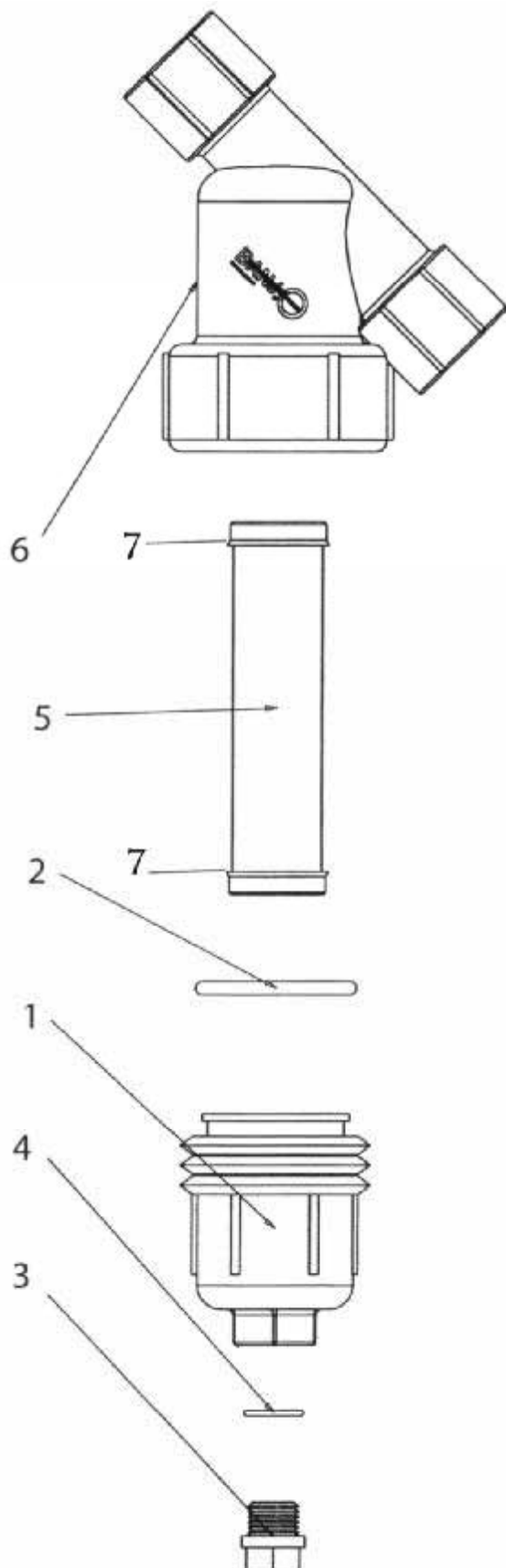
Manual diaphragm pressure relief control valve with flanged coupling

| COD. |  |  | | Ø BY-PASS ⊗ (BSP) |
|-----------------|---|---|-------|-------------------------|
| | BAR | PSI | lt/1' | |
| ▶ 465513 | 30 | 460 | 200 | 53 |
| ▶ 465514 | 40 | 580 | | |
| ▶ 465521 | 10 | 460 | 200 | 53 |
| ▶ 465522 | 20 | 580 | | |



|  | A | B | C |
|---|------|-----|------|
| | mm | 120 | 213 |
| inches | 4.5" | 8" | 3.5" |





BJ-LS125...

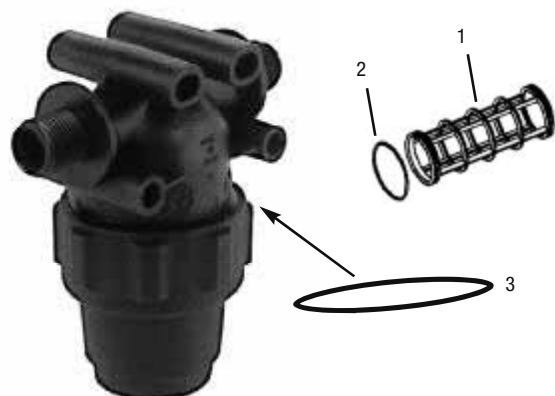
| REF | N° | DESCRIPTION | Q |
|-----|-------------|--|-----|
| 1 | BJ-LS100C1 | End cap | 1 |
| 2 | BJ-LS100G | Gasket, std | 1 |
| | BJ-LS100GV | Gasket-FKM (viton type), opt | 1 |
| 3 | BJ-12777 | 1/2" drain plug | 1 |
| 4 | BJ-UV15163 | EPDM O-ring for drain plug std | 1 |
| | BJ-UV15163V | FKM (viton type) O-ring for drain plug, opt | 1 |
| 5 | BJ-LS120 | 20 mesh screen | 1 |
| | BJ-LS140 | 40 mesh screen | 1 |
| | BJ-LS180 | 80 mesh screen | 1 |
| 6 | N/A | "Y" body 1 1/4" | N/A |
| 7 | BJ-LS125G | O-ring | 2 |
| KIT | BJ-LS125BC1 | "Y" body, cap & gasket, 1 1/4" (includes #1,2,3,4 & 6) | 1 |

BJ-LS150...

| REF | N° | DESCRIPTION | Q |
|-----|-------------|--|---|
| 1 | BJ-LS150C | End cap | 1 |
| 2 | BJ-LS150G | Gasket, std | 1 |
| | BJ-LS150GV | Gasket-FKM (viton type), opt | 1 |
| 3 | BJ-LSQ200PL | 1" drain plug | 1 |
| 4 | BJ-LSQ200R | EPDM O-ring for drain plug std | 1 |
| | BJ-LSQ200RV | FKM (viton type) O-ring for drain plug, opt | 1 |
| 5 | BJ-LS206 | 6 mesh screen | 1 |
| | BJ-LS212 | 12 mesh screen | 1 |
| | BJ-LS220 | 20 mesh screen | 1 |
| | BJ-LS230 | 30 mesh screen | 1 |
| | BJ-LS250 | 50 mesh screen | 1 |
| | BJ-LS280 | 80 mesh screen | 1 |
| | BJ-LS2120 | 120 mesh screen | 1 |
| 6 | BJ-LS150B | "Y" body 1 1/2" | 1 |
| 7 | BJ-LS141G | O-ring | 2 |
| KIT | BJ-LS150BC | "Y" body, cap & gasket, 1 1/2" (includes #1,2,3,4 & 6) | 1 |

BJ-LS200...

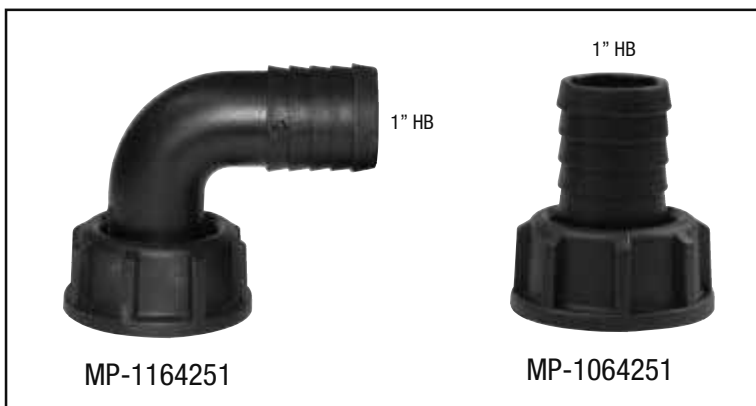
| REF | N° | DESCRIPTION | Q |
|-----|-------------|--|---|
| 1 | BJ-LS150C | End cap | 1 |
| 2 | BJ-LS150G | Gasket, std | 1 |
| | BJ-LS150GV | Gasket-FKM (viton type), opt | 1 |
| 3 | BJ-LSQ200PL | 1" drain plug | 1 |
| 4 | BJ-LSQ200R | EPDM O-ring for drain plug std | 1 |
| | BJ-LSQ200RV | FKM (viton type) O-ring for drain plug, opt | 1 |
| 5 | BJ-LS206 | 6 mesh screen | 1 |
| | BJ-LS212 | 12 mesh screen | 1 |
| | BJ-LS220 | 20 mesh screen | 1 |
| | BJ-LS230 | 30 mesh screen | 1 |
| | BJ-LS250 | 50 mesh screen | 1 |
| | BJ-LS280 | 80 mesh screen | 1 |
| | BJ-LS2120 | 120 mesh screen | 1 |
| 6 | BJ-LS200B | "Y" body 2" | 1 |
| 7 | BJ-LS141G | O-ring | 2 |
| KIT | BJ-LS200BC | "Y" body, cap & gasket, 2" (includes #1,2,3,4 & 6) | 1 |



AU-8110009 (1" x 50M), AU-8110011 (1"x100M)

| REF N° | DESCRIPTION | Q | |
|--------|--------------|---------------------------------|---|
| 1 | MP-323002030 | White cartridge, inox 32 mesh | 1 |
| | MP-323003030 | Blue cartridge, inox 50 mesh | 1 |
| | MP-323004030 | Red cartridge, inox 100 mesh | 1 |
| | MP-323006030 | Orange cartridge, inox 150 mesh | 1 |
| 2 | MP-G10051 | O'ring | 2 |
| 3 | AU-227 | O-ring, buna (standard) | 1 |
| | AU-227V | O-ring, viton (optional) | 1 |

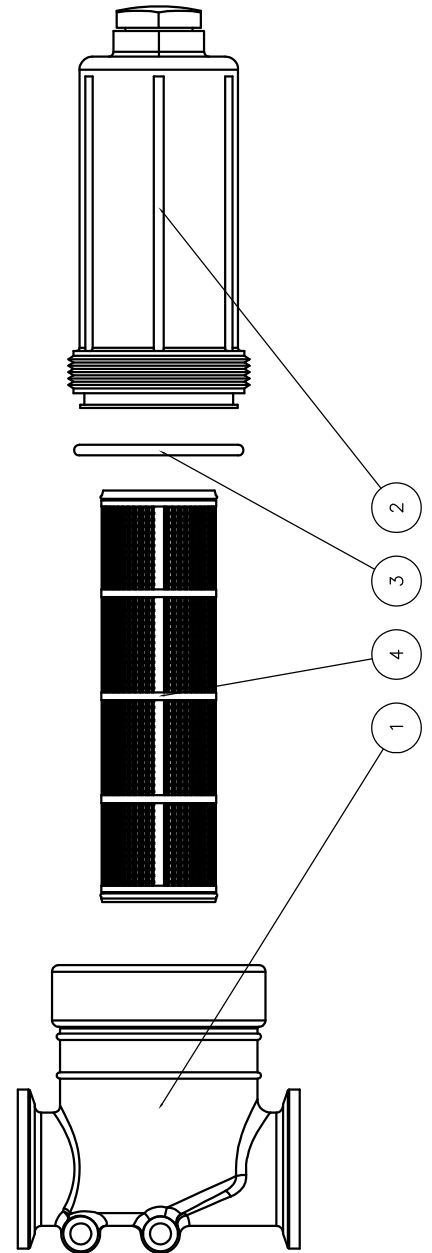
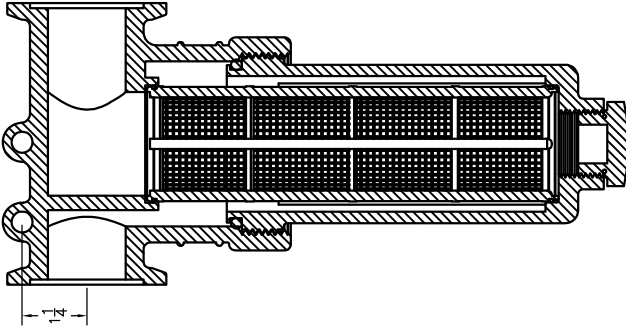
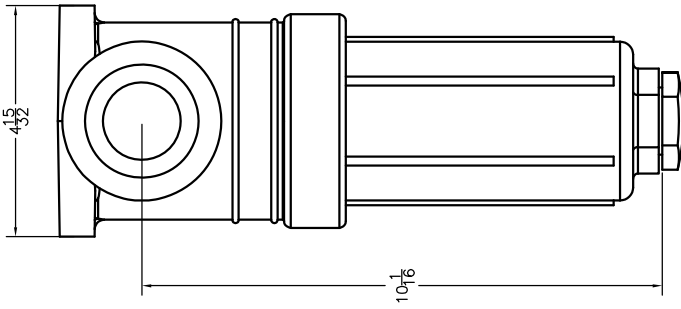
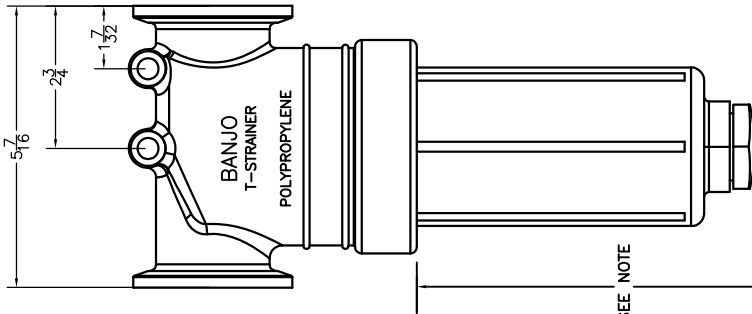
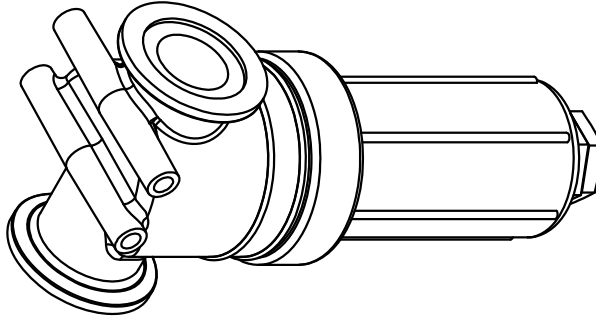
Options



Parts List

| ITEM | QTY | NAME | DESCRIPTION |
|------|-----|----------|---------------------|
| 1 | 1 | MLST150H | 1 1/2 MANIFOLD HEAD |
| 2 | 1 | LST150B | T-STRAINER BOWL |
| 3 | 1 | LST150G | BOWL O-RING |
| 4 | 1 | LST1550 | 50 MESH SCREEN |
| 5 | 1 | LST100-D | DECAL (N/S) |

*NOTE:
ADDITIONAL CLEARANCE REQ'D
FOR SCREEN REMOVAL: 8"



BANJO
LIQUID HANDLING PRODUCTS

BANJO CORPORATION
150 BANJO DR. • CUMBERVILLE, IN 47933

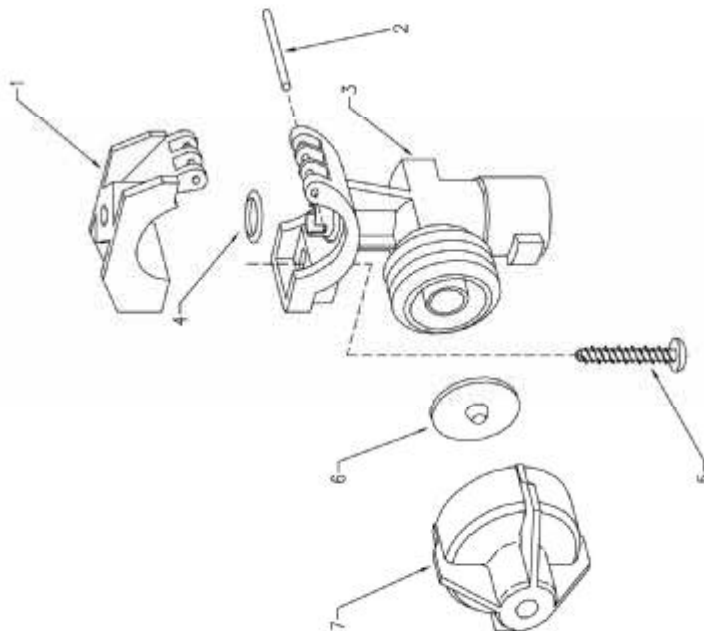
PART NO. MLST150-50

TITLE
MANIFOLD T-STRAINER

FOR PARTS IN ALL REPAIRS, PLEASE
CONSULT THE DATA IN THE EXCLUSIVE
PROPERTY OF BANJO CORPORATION.
REPLACEMENT PARTS SHOULD BE
ORDERED FROM BANJO CORPORATION
WHENEVER AVAILABLE TO AVOID
ANY DELAY.

Ajouter le préfixe "JB" avant le # de pièce,
ex : JB-18645
Add the "JB" prefix before the part #,
ex : JB-18645

| ITEM | PART NO. | DESCRIPTION |
|------|--|--|
| | CF48223-NYB | Upper Clamp, 1/2", Nylon (Black) |
| | CF48221-NYB | Upper Clamp, 3/4", Nylon (Black) |
| 1 | CF48222-NYB | Upper Clamp, 1", Nylon (Black) |
| | CF48220-NYB | Upper Clamp, 20mm, Nylon (Black) |
| | CF48224-NYB | Upper Clamp, 25mm, Nylon (Black) |
| 2 | CF48256-SS | Pivot Pin, Stainless Steel |
| | CF48496-NYB | Body, 1/2", Nylon (Black) |
| | CF48498-NYB | Body, 3/4", Nylon (Black) (for 3/4" and 25mm versions) |
| 3 | CF48499-NYB | Body, 1", Nylon (Black) |
| | CF48497-NYB | Body, 20mm, Nylon (Black) |
| 4 | CP7717-2/110-BU | O-Ring, Buna-N |
| | CP7717-2/110-VI | O-Ring, Viton (Optional) |
| 5 | CF48255-1 1/4-302SS | Screw, Stainless Steel |
| 6 | CP21953-EPR | Diaphragm, EPDM |
| | CP21953-VI | Diaphragm, Viton (Optional) |
| 7 | 21950-10-NYB | End Cap Sub-Ass'y, Nylon (Black) |
| | No. QJ17560A-1/2-NYB(-VI) | - Hinged Nozzle Body Assembly |
| | No. QJ17560A-3/4-NYB(-VI) | - Hinged Nozzle Body Assembly |
| | No. QJ17560A-1-NYB(-VI) | - Hinged Nozzle Body Assembly |
| | No. QJ17560A-20mm-NYB(-VI) | - Hinged Nozzle Body Assembly |
| | No. QJ17560A-25mm-NYB(-VI) | - Hinged Nozzle Body Assembly |
| | Note: -VI in part number specifies Viton material for parts #4 and 6 | |



DESCRIPTION:
QJ17560A HINGED CLAMP
WET BOOM DIAPHRAGM
CHECK VALVE QUICK TEE-JETS
NOZZLE BODY ASSEMBLY
(1/2", 3/4", 1", 20mm, & 25mm)



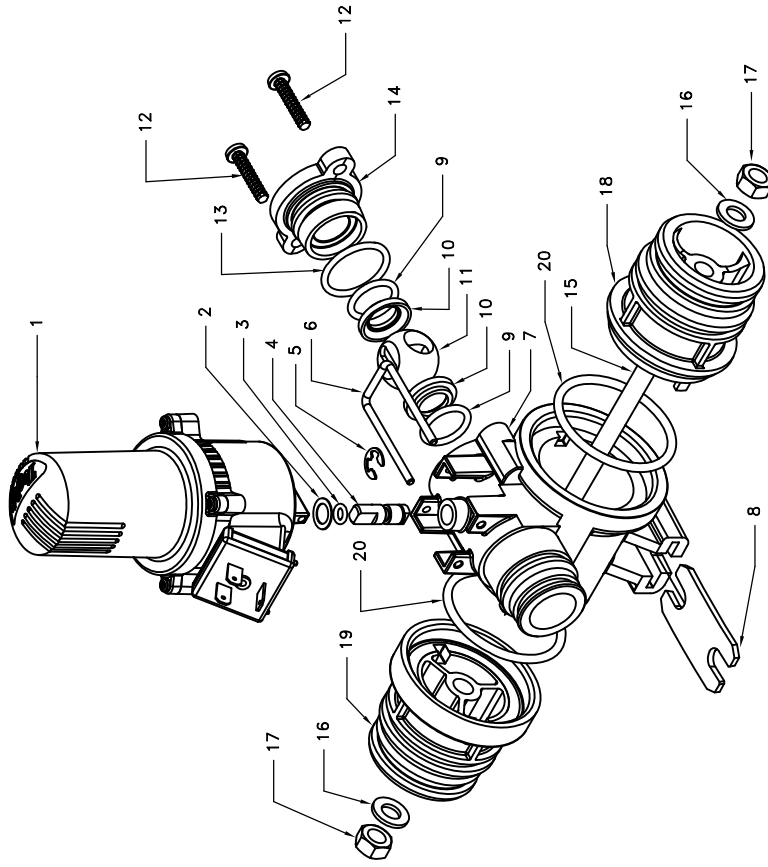
Spraying Systems Co.
Spray Nozzles and Accessories
P.O. Box 7900 • Wheaton, IL 60189-7900

Part List No.
PL QJ17560A
SHEET OF

Rev. No.
Ref.

| ITEM | PART NO. | DESCRIPTION |
|-------|--------------------|---|
| | 58445 | EC MOTOR, 22-RPM (0.7-SEC), DIN CONNECTION, POSITIVELY SWITCHED |
| 1 | 58446 | E MOTOR, 22-RPM (0.7-SEC), DIN CONNECTION, POSITIVELY SWITCHED |
| | 58447 | EC MOTOR, 22-RPM (0.7-SEC), DIN CONNECTION, NEGATIVELY SWITCHED |
| 2 | CP58436-302SS | FLAT WASHER, 302 STAINLESS STEEL |
| 3 | CP7717-14.8X1.8-VI | O-RING, VITON |
| 4 | CP58435-SS | STEM, 303 STAINLESS STEEL |
| 5 | CP58469-SS | E-CLIP RETAINING RING, 17PH STAINLESS STEEL |
| 6 | CP58450-302SS | MOTOR RETAINING CLIP, 302 STAINLESS STEEL |
| 7 | CP58431-PP | VALVE BODY, POLYPROPYLENE (BLACK) |
| 8 | CP50507-304SS | MOUNTING PLATE, 304 STAINLESS STEEL |
| 9 | CP7717-2-115-VI | O-RING, VITON (2 REQ'D) |
| 10 | CP58434-TEF | SEAL, TEFLON (2 REQ'D) |
| 11 | CP58433-SS | 2-WAY BALL 303 STAINLESS STEEL |
| 12 | CP58465-302SS | SCREW, 302 STAINLESS STEEL (2 REQ'D) |
| 13 | CP7717-2-120-VI | O-RING, VITON |
| 14 | CP58432-PP | END CAP, POLYPROPYLENE (BLACK) |
| | CP58468-1-SS | ONE BANK MANIFOLD CONNECTING ROD, 303 STAINLESS STEEL |
| | CP58468-2-SS | TWO BANK MANIFOLD CONNECTING ROD, 303 STAINLESS STEEL |
| | CP58468-3-SS | THREE BANK MANIFOLD CONNECTING ROD, 303 STAINLESS STEEL |
| | CP58468-4-SS | FOUR BANK MANIFOLD CONNECTING ROD, 303 STAINLESS STEEL |
| 15 | CP58468-5-SS | FIVE BANK MANIFOLD CONNECTING ROD, 303 STAINLESS STEEL |
| | CP58468-6-SS | SIX BANK MANIFOLD CONNECTING ROD, 303 STAINLESS STEEL |
| | CP58468-7-SS | SEVEN BANK MANIFOLD CONNECTING ROD, 303 STAINLESS STEEL |
| | CP58468-8-SS | EIGHT BANK MANIFOLD CONNECTING ROD, 303 STAINLESS STEEL |
| | CP58468-9-SS | NINE BANK MANIFOLD CONNECTING ROD, 303 STAINLESS STEEL |
| 16 | CP58555-SS | M8 SPLIT LOCK WASHER (2 REQ'D) |
| 17 | CP46074-302SS | M8X1.25 HEX NUT, 302 STAINLESS STEEL (2 REQ'D) |
| 18 | CP58437-PP | MALE INLET ADAPTER, POLYPROPYLENE (BLACK) |
| 19 | CP58438-PP | FEMALE INLET ADAPTER, POLYPROPYLENE (BLACK) |
| 20 | CP7717-2-225-VI | O-RING, VITON (2 REQ'D) |
| 58470 | | VALVE BODY SUB-ASSY, INCLUDES ITEMS 2-5, 7-14 |
| | AB430-KIT | SPARE PARTS KIT (INCLUDES ITEMS 3,9,10) |
| | 58561 | 430 TWO WAY BALL & STEM KIT (INCLUDES ITEMS 2,3,4,5,11) |
| | 58563 | INLET ADAPTER KIT (INCLUDES ITEMS 18,19,20) |
| | 58564-3 | THREE VALVE MANIFOLD ASSEMBLY KIT (INCLUDES ITEMS 15-20) |
| | 58564-5 | FIVE VALVE MANIFOLD ASSEMBLY KIT (INCLUDES ITEMS 15-20) |
| | 58564-7 | SEVEN VALVE MANIFOLD ASSEMBLY KIT (INCLUDES ITEMS 15-20) |
| | 58564-9 | NINE VALVE MANIFOLD ASSEMBLY KIT (INCLUDES ITEMS 15-20) |

NOTE: ALL MANIFOLD ASSEMBLY KITS (58564-*) INCLUDE THE CORRECT ROD (ITEM 15) AND TWO PIECES OF ITEMS 16, 17, & 20.



ASSEMBLY NOTE: WHEN ASSEMBLING MANIFOLD, CENTER THE CONNECTING ROD (ITEM 15) BEFORE TIGHTENING HEX NUTS (ITEM 17).

DESCRIPTION:

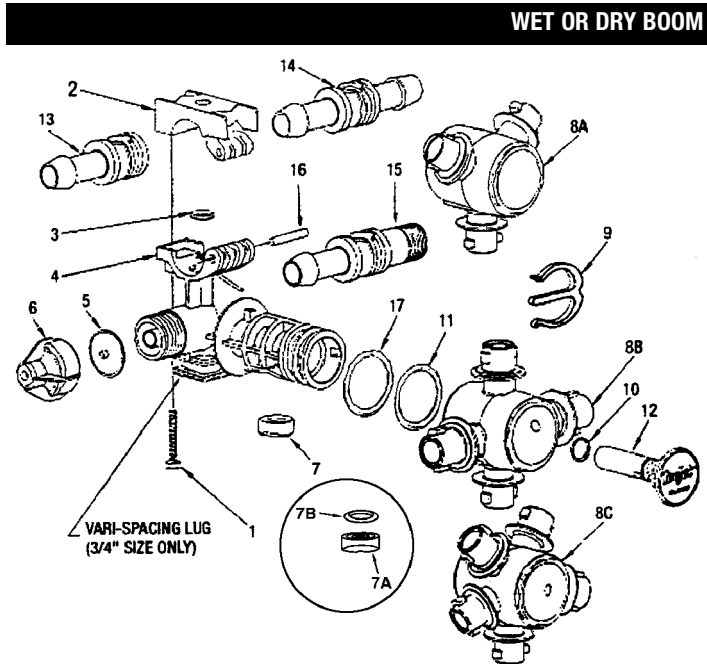
430EC AND 430E DIRECTVALVE® ELECTRIC SHUT-OFF BALL VALVE MANIFOLD



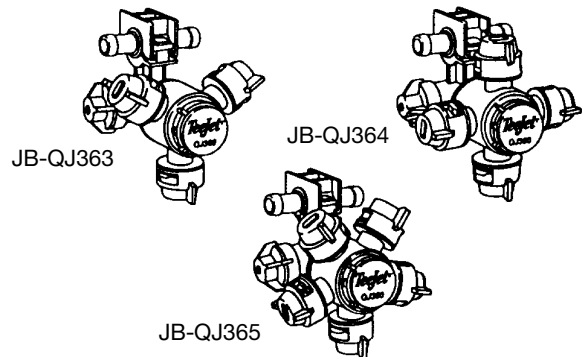
Spraying Systems Co.
 Spray Nozzles and Accessories
 P.O. Box 7900 - Wheaton, IL 60189-7900

Rev. No. 2
 Ref.
 PARTS LIST
PL430EC-2
 SHEET OF

| REF N° | DESCRIPTION | Q |
|--------|---|---|
| 1 | JB-CP48255114430SS Screw, 430 s. steel | 1 |
| 2 | JB-CP48221NYB 3/4" upper clamp, nylon, black | 1 |
| 3 | JB-CP77172110BU* O-ring, buna-n | 1 |
| | JB-CP77172110VI** O-ring, viton (opt.) | 1 |
| 4 | JB-CP38925NYB 20mm split eyelet body, nylon, black | 1 |
| 5 | JB-CP21953EPR* Diaphragm, EPDM rubber | 1 |
| | JB-CP21953VI** Diaphragm, viton (opt.) | 1 |
| 6 | JB-2195010NYB ChamSaver end cap assy, nylon, black | 1 |
| 7 | JB-CP389431VI** Seal, viton (B series) | 1 |
| 7A | JB-CP56726VITFE Seal, viton-Teflon filled (C series) | 1 |
| 7B | JB-CP77172111V O-ring, viton (C series) | 1 |
| 8A | JB-CP38921NYB #363 Turret, nylon, black | 1 |
| 8B | JB-CP38922NYB #364 Turret, nylon, black | 1 |
| 8C | JB-CP38923NYB #365 Turret, nylon, black | 1 |
| 9 | JB-CP38931NYB E-clip, nylon, black | 1 |
| 10 | JB-CP77172113EPR* O-ring, EPDM rubber (std) | 1 |
| | JB-CP77172113VI** O-ring, viton (opt.) | 1 |
| 11 | JB-CP77172216EPR* O-ring, EPDM rubber (std) | 1 |
| | JB-CP77172216VI** O-ring, viton (opt.) | 1 |
| 12 | JB-CP38930NYB Plug, nylon, black | 1 |
| 13 | JB-CP38936NYB 1/2" single hose shank, nylon, black | 1 |
| | JB-CP38938NYB 3/4" single hose shank, nylon, black | 1 |
| | JB-CP38940NYB 1" single hose shank, nylon, black | 1 |
| 14 | JB-CP38937NYB 1/2" double hose shank, nylon, black | 1 |
| | JB-CP38939NYB 3/4" double hose shank, nylon, black | 1 |
| | JB-CP38941NYB 1" double hose shank, nylon, black | 1 |
| 15 | JB-CP38948NYB 1/2" NPTx3/4" hose shank, nylon, black | 1 |
| 16 | JB-CP48256SS Pivot pin, 303 s. steel | 1 |
| 17 | JB-CP77172129EPR* O-ring dust seal, EPR rubber (std) | 1 |
| | JB-CP77172129VI** O-ring dust seal, viton rubber (opt.) | 1 |



Ensemble de supports de buses multiples / Multiple nozzle bodies & assemblies



360 Nozzle Body Series for Wet or Dry Booms

- Disponible avec 3, 4 ou 5 positions de pulvérisation pour changement rapide de buse ou vidange de la rampe.
- Fermeture complète entre chaque position de pulvérisation.
- Pression maximale d'opération de 300 lb/po².
- Disponible avec des corps de buse (boyaux) de 20mm, 1/2, 3/4 ou 1 po.
- Valve anti-retour ChemSaver® incluse pour fermeture sans gouttage.
- Membrane EPDM standard et membrane en viton disponible en option.
- Available with either 3, 4 or 5 spray positions for easy change of spray tips or quick boom flushing.
- Positive shut-off between each spray position.
- Maximum operating pressure of 300 psi.
- Available in 1/2", 3/4" or 1" single or double hose shanks.
- Includes ChemSaver® diaphragm check valve for drip-free shutoff.
- Standard EPDM diaphragm with Viton available as an option.

WET BOOM

| PART N° | NUMBER OF SPRAY OUTLETS | TO CLAMP ON |
|-----------------|-------------------------|-------------|
| JB-QJ36312NYB | 3 | 1/2" Pipe |
| JB-QJ36334NYB | 3 | 3/4" Pipe |
| JB-QJ3631NYB | 3 | 1" Pipe |
| JB-QJ36412NYB | 4 | 1/2" Pipe |
| JB-QJ36434NYB | 4 | 3/4" Pipe |
| JB-QJ3631NYB | 4 | 1" Pipe |
| JB-QJ3652012NYB | 5 | 1/2" Pipe |
| JB-QJ36534NYB | 5 | 3/4" Pipe |
| JB-QJ3651NYB | 5 | 1" Pipe |

DRY BOOM

| PART N° | To Fit Spray Outlets | Hose I.D. | |
|------------------|----------------------|-----------|--------|
| | | Single | Double |
| JB-QJ3635001NYB | 3 | 1/2" | 3/4" |
| JB-QJ3637501NYB | 3 | 1/2" | 3/4" |
| JB-QJ36310001NYB | 3 | 1" | 1" |
| JB-QJ3645001NYB | 4 | 1/2" | 3/4" |
| JB-QJ3647501NYB | 4 | 1/2" | 3/4" |
| JB-QJ36410001NYB | 4 | 1" | 1" |
| JB-QJ3655001NYB | 5 | 1/2" | 3/4" |
| JB-QJ3657501NYB | 5 | 1/2" | 3/4" |
| JB-QJ36510001NYB | 5 | 1" | 1" |

JB-5500

Le corps de la buse cannelé tourne d'un demi-tour pour permettre le passage de l'atomisation avec jet conique grand angle à un jet rectiligne. Les positions "A" et "B" de la buse sont les deux points extrêmes de rotation pour le réglage de la buse. D'autres tailles sont également disponibles.

Knurled body of tip rotates through a half turn to provide spray selection from wide angle, finely atomized cone spray to a straight stream spray. Tip settings "A" and "B" represent two extreme points of rotation in tip adjustment. Other sizes available.

For Capacities from 0.017 to 1.9 GPM

JB-5500-PP

La buse orientable ConeJet JB-5500 est disponible également en polypropylène. La buse en polypropylène a les mêmes caractéristiques que la buse en laiton et est très résistante aux produits chimiques. Son faible poids convient pour l'emploi sur des pulvérisateurs manuels à dos.

The JB-5500 Adjustable ConeJet tip is also available in a polypropylene version. The polypropylene tip has the same performance characteristics as the brass tip and provides excellent chemical resistance. This tip's light weight makes it well-suited for use on hand held and backpack type sprayers.

| ADJUSTABLE CONEJET TIP No. | PERFORMANCE | LIQUID PRESSURE IN PSI | | | | | | | | | | | |
|----------------------------------|---|------------------------|-----------------|--------------------|-----------------|--------------------|----------------|-------------------|-----------------|--------------------|----------------|--------------------|----------------|
| | | 20 psi Setting | | 30 psi Setting | | 40 psi Setting | | 60 psi Setting | | 100 psi Setting | | 150 psi Setting | |
| | | A | B | A | B | A | B | A | B | A | B | A | B |
| JB-5500X1 | Capacity-GPM Spray angle Max. Throw-Ft. | — — — | .049 — 19 | .015 38° 1 | .061 — 22 | .017 54° 1.5 | .07 — 24 | .02 71° 1.5 | .086 — 26 | .025 80° 1.5 | .11 — 26 | .028 83° 1.5 | .14 — 26 |
| JB-5500X2 | Capacity-GPM Spray angle Max. Throw-Ft. | .025 40° 1.5 | .091 — 23 | .03 60° 1.5 | .11 — 26 | .033 68° 2 | .13 — 27 | .04 75° 2 | .16 — 28 | .05 80° 2 | .20 — 28 | .058 83° 2 | .25 — 28 |
| JB-5500X3 JB-5500PPBX3 | Capacity-GPM Spray angle Max. Throw-Ft. | .037 57° 2 | .13 — 27 | .045 68° 2 | .17 — 30 | .05 72° 2 | .19 — 31 | .058 76° 3 | .23 — 31 | .073 80° 3 | .30 — 31 | .088 82° 3 | .37 — 31 |
| JB-5500X4 | Capacity-GPM Spray angle Max. Throw-Ft. | .05 61° 2.5 | .18 — 30 | .058 70° 2.5 | .22 — 33 | .067 73° 3 | .25 — 34 | .08 77° 3 | .31 — 34 | .10 80° 3 | .40 — 34 | .12 81° 3 | .49 — 34 |
| JB-5500X5 JB-5500PPBX5 | Capacity-GPM Spray angle Max. Throw-Ft. | .061 61° 2.5 | .21 — 31 | .076 70° 2.5 | .26 — 34 | .082 74° 3 | .30 — 35 | .10 77° 3 | .37 — 35 | .13 80° 3 | .48 — 35 | .15 81° 3 | .58 — 35 |
| JB-5500X6 JB-5500PPBX6 | Capacity-GPM Spray angle Max. Throw-Ft. | .073 65° 2.5 | .26 — 32 | .087 71° 3 | .32 — 35 | .10 74° 3 | .37 — 36 | .12 77° 3.5 | .45 — 36 | .15 80° 3.5 | .58 — 36 | .19 80° 3.4 | .71 — 36 |
| JB-5500X8 JB-5500PPBX8 | Capacity-GPM Spray angle Max. Throw-Ft. | .097 66° 3 | .33 — 34 | .12 71° 3 | .40 — 37 | .13 74° 3 | .47 — 38 | .16 77° 3 | .57 — 38 | .21 80° 4 | .74 — 38 | .25 80° 4 | .90 — 38 |
| JB-5500X10 | Capacity-GPM Spray angle Max. Throw-Ft. | .12 68° 3 | .42 — 35 | .15 72° 3.5 | .52 — 38 | .17 75° 3.5 | .60 — 39 | .21 78° 4 | .73 — 40 | .26 80° 4 | .94 — 40 | .31 80° 4 | 1.2 — 40 |
| JB-5500X12 JB-5500PPBX12 | Capacity-GPM Spray angle Max. Throw-Ft. | .15 69° 3.5 | .49 — 36 | .18 73° 4 | .60 — 39 | .20 76° 4 | .69 — 40 | .24 78° 4 | .84 — 41 | .31 80° 4 | 1.1 — 41 | .38 80° 4 | 1.3 — 41 |
| JB-5500X14 | Capacity-GPM Spray angle Max. Throw-Ft. | .17 70° 3.5 | .55 — 37 | .20 74° 4 | .67 — 40 | .23 76° 4 | .78 — 41 | .29 78° 4 | .95 — 41 | .37 80° 4.5 | 1.2 — 41 | .45 80° 4.5 | 1.5 — 41 |
| JB-5500X18 JB-5500PPBX18 | Capacity-GPM Spray angle Max. Throw-Ft. | .21 71° 4 | .69 — 38 | .26 75° 4 | .84 — 41 | .30 77° 4 | .97 — 42 | .37 78° 4 | 1.2 — 42 | .47 80° 5 | 1.5 — 42 | .58 79° 5 | 1.9 — 42 |
| JB-5500X22 | Capacity-GPM Spray angle Max. Throw-Ft. | .26 71° 4 | .83 — 39 | .32 75° 4.5 | 1.0 — 41 | .37 78° 5 | 1.2 — 42 | .45 79° 5 | 1.4 — 42 | .58 80° 5 | 1.9 — 42 | .70 78° 5 | 2.3 — 42 |
| JB-5500X26 | Capacity-GPM Spray angle Max. Throw-Ft. | .31 72° 4.5 | .98 — 40 | .37 76° 5 | 1.2 — 42 | .43 78° 5 | 1.4 — 43 | .53 79° 5.5 | 1.7 — 43 | .68 80° 5.5 | 2.2 — 43 | .83 78° 5.5 | 2.7 — 43 |

Above data is based on spraying water from a height of about 2-1/2 feet with tip tilted about as shown at left for each setting

TIP SETTING "A"
CONE SPRAY PATTERN



Maximum
Throw - Feet



TIP SETTING "B"
STRAIGHT STREAM SPRAY PATTERN

Maximum Throw - Feet

TeeJet[®] Off-Center Flat Spray Tips — Smaller Capacities

TeeJet Off-Center spray tips are commonly installed in double and single swivel nozzle bodies. Because these bodies are adjustable for angular position, a wide spray swath is easily obtained.



See page 59 for swivels and hose drops.

How to order:
Specify tip number and material.
Example: OC-02 Brass



| Tip | Bar | CAPACITY ONE NOZZLE IN l/min | HEIGHT = 45 cm | | | | HEIGHT = 60 cm | | | | | |
|-------------|-----|------------------------------|----------------|--------|--------|--------|----------------|---------|--------|--------|--------|---------|
| | | | "W" cm | l/ha | | | "W" cm | l/ha | | | | |
| | | | | 4 km/h | 6 km/h | 8 km/h | | 10 km/h | 4 km/h | 6 km/h | 8 km/h | 10 km/h |
| OC-01 (100) | 2.0 | 0.32 | 147 | 32.7 | 21.8 | 16.3 | 13.1 | 165 | 29.1 | 19.4 | 14.5 | 11.6 |
| | 3.0 | 0.39 | 152 | 38.5 | 25.7 | 19.2 | 15.4 | 170 | 34.4 | 22.9 | 17.2 | 13.8 |
| | 4.0 | 0.45 | 157 | 43.0 | 28.7 | 21.5 | 17.2 | 175 | 38.6 | 25.7 | 19.3 | 15.4 |
| OC-02 (50) | 2.0 | 0.65 | 172 | 56.7 | 37.8 | 28.3 | 22.7 | 190 | 51.3 | 34.2 | 25.7 | 20.5 |
| | 3.0 | 0.79 | 177 | 66.9 | 44.6 | 33.5 | 26.8 | 195 | 60.8 | 40.5 | 30.4 | 24.3 |
| | 4.0 | 0.91 | 182 | 75.0 | 50.0 | 37.5 | 30.0 | 198 | 68.9 | 46.0 | 34.5 | 27.6 |
| OC-03 (50) | 2.0 | 0.96 | 195 | 73.8 | 49.2 | 36.9 | 29.5 | 203 | 70.9 | 47.3 | 35.5 | 28.4 |
| | 3.0 | 1.18 | 203 | 87.2 | 58.1 | 43.6 | 34.9 | 210 | 84.3 | 56.2 | 42.1 | 33.7 |
| | 4.0 | 1.36 | 208 | 98.1 | 65.4 | 49.0 | 39.2 | 215 | 94.9 | 63.3 | 47.4 | 38.0 |
| OC-04 (50) | 2.0 | 1.29 | 231 | 83.8 | 55.8 | 41.9 | 33.5 | 236 | 82.0 | 54.7 | 41.0 | 32.8 |
| | 3.0 | 1.58 | 236 | 100 | 66.9 | 50.2 | 40.2 | 238 | 99.6 | 66.4 | 49.8 | 39.8 |
| | 4.0 | 1.82 | 238 | 115 | 76.5 | 57.4 | 45.9 | 241 | 113 | 75.5 | 56.6 | 45.3 |
| OC-06 (50) | 2.0 | 1.94 | 251 | 116 | 77.3 | 58.0 | 46.4 | 274 | 106 | 70.8 | 53.1 | 42.5 |
| | 3.0 | 2.37 | 256 | 139 | 92.6 | 69.4 | 55.5 | 279 | 127 | 84.9 | 63.7 | 51.0 |
| | 4.0 | 2.74 | 259 | 159 | 106 | 79.3 | 63.5 | 281 | 146 | 97.5 | 73.1 | 58.5 |
| OC-08 (50) | 2.0 | 2.58 | 254 | 152 | 102 | 76.2 | 60.9 | 279 | 139 | 92.5 | 69.4 | 55.5 |
| | 3.0 | 3.16 | 259 | 183 | 122 | 91.5 | 73.2 | 284 | 167 | 111 | 83.5 | 66.8 |
| | 4.0 | 3.65 | 264 | 207 | 138 | 104 | 83.0 | 287 | 191 | 127 | 95.4 | 76.3 |
| OC-12 | 2.0 | 3.87 | 259 | 224 | 149 | 112 | 89.7 | 287 | 202 | 135 | 101 | 80.9 |
| | 3.0 | 4.74 | 264 | 263 | 180 | 135 | 108 | 292 | 243 | 162 | 122 | 97.4 |
| | 4.0 | 5.47 | 266 | 308 | 206 | 154 | 123 | 294 | 279 | 186 | 140 | 112 |
| OC-16 | 2.0 | 5.16 | 335 | 231 | 154 | 116 | 92.4 | 360 | 215 | 143 | 108 | 86.0 |
| | 3.0 | 6.32 | 350 | 271 | 181 | 135 | 108 | 370 | 256 | 171 | 128 | 102 |
| | 4.0 | 7.30 | 363 | 302 | 201 | 151 | 121 | 375 | 292 | 195 | 146 | 117 |

Note: Always double check your application rates. See pages 149-163 for useful formulas and information.

| Tip | PSI | CAPACITY ONE NOZZLE IN GPM | HEIGHT = 18' | | | | HEIGHT = 24' | | | | | |
|-------------|-----|----------------------------|---------------|-------|-------|-------|---------------|-------|-------|-------|-------|-------|
| | | | "W" IN INCHES | GPA | | | "W" IN INCHES | GPA | | | | |
| | | | | 3 MPH | 4 MPH | 5 MPH | | 6 MPH | 3 MPH | 4 MPH | 5 MPH | 6 MPH |
| OC-01 (100) | 30 | 0.087 | 58 | 3.0 | 2.2 | 1.8 | 1.5 | 65 | 2.7 | 2.0 | 1.6 | 1.3 |
| | 40 | 0.10 | 60 | 3.3 | 2.5 | 2.0 | 1.7 | 67 | 3.0 | 2.2 | 1.8 | 1.5 |
| | 60 | 0.12 | 62 | 3.8 | 2.9 | 2.3 | 1.9 | 69 | 3.4 | 2.6 | 2.1 | 1.7 |
| OC-02 (50) | 30 | 0.17 | 68 | 5.0 | 3.7 | 3.0 | 2.5 | 75 | 4.5 | 3.4 | 2.7 | 2.2 |
| | 40 | 0.20 | 70 | 5.7 | 4.2 | 3.4 | 2.8 | 77 | 5.1 | 3.9 | 3.1 | 2.6 |
| | 60 | 0.24 | 72 | 6.6 | 5.0 | 4.0 | 3.3 | 78 | 6.1 | 4.6 | 3.7 | 3.0 |
| OC-03 (50) | 30 | 0.26 | 77 | 6.7 | 5.0 | 4.0 | 3.3 | 80 | 6.4 | 4.8 | 3.9 | 3.2 |
| | 40 | 0.30 | 80 | 7.4 | 5.6 | 4.5 | 3.7 | 83 | 7.2 | 5.4 | 4.3 | 3.6 |
| | 60 | 0.37 | 82 | 8.9 | 6.7 | 5.4 | 4.5 | 85 | 8.6 | 6.5 | 5.2 | 4.3 |
| OC-04 (50) | 30 | 0.35 | 91 | 7.6 | 5.7 | 4.6 | 3.8 | 93 | 7.5 | 5.6 | 4.5 | 3.7 |
| | 40 | 0.40 | 93 | 8.5 | 6.4 | 5.1 | 4.3 | 94 | 8.4 | 6.3 | 5.1 | 4.2 |
| | 60 | 0.49 | 94 | 10.3 | 7.7 | 6.2 | 5.2 | 95 | 10.2 | 7.7 | 6.1 | 5.1 |
| OC-06 (50) | 30 | 0.52 | 99 | 10.4 | 7.8 | 6.2 | 5.2 | 108 | 9.5 | 7.2 | 5.7 | 4.8 |
| | 40 | 0.60 | 101 | 11.8 | 8.8 | 7.1 | 5.9 | 110 | 10.8 | 8.1 | 6.5 | 5.4 |
| | 60 | 0.73 | 102 | 14.2 | 10.6 | 8.5 | 7.1 | 111 | 13.0 | 9.8 | 7.8 | 6.5 |
| OC-08 (50) | 30 | 0.69 | 100 | 13.7 | 10.2 | 8.2 | 6.8 | 110 | 12.4 | 9.3 | 7.5 | 6.2 |
| | 40 | 0.80 | 102 | 15.5 | 11.6 | 9.3 | 7.8 | 112 | 14.1 | 10.6 | 8.5 | 7.1 |
| | 60 | 0.98 | 104 | 18.7 | 14.0 | 11.2 | 9.3 | 113 | 17.2 | 12.9 | 10.3 | 8.6 |
| OC-12 | 30 | 1.04 | 102 | 20 | 15.1 | 12.1 | 10.1 | 113 | 18.2 | 13.7 | 10.9 | 9.1 |
| | 40 | 1.20 | 104 | 23 | 17.1 | 13.7 | 11.4 | 115 | 21 | 15.5 | 12.4 | 10.3 |
| | 60 | 1.47 | 105 | 28 | 21 | 16.6 | 13.9 | 116 | 25 | 18.8 | 15.1 | 12.5 |
| OC-16 | 30 | 1.39 | 132 | 21 | 15.6 | 12.5 | 10.4 | 142 | 19.4 | 14.5 | 11.6 | 9.7 |
| | 40 | 1.60 | 138 | 23 | 17.2 | 13.8 | 11.5 | 146 | 22 | 16.3 | 13.0 | 10.8 |
| | 60 | 1.96 | 143 | 27 | 20 | 16.3 | 13.6 | 148 | 26 | 19.7 | 15.7 | 13.1 |

Note: Always double check your application rates. See pages 149-163 for useful formulas and information.

