

# HYDRA POOLS SEMI-INGROUND POOL INSTRUCTIONS

## A. Introduction to Installing your Pool

Read all instructions completely before you begin.

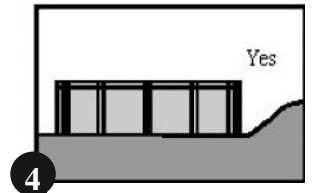
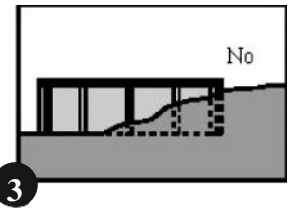
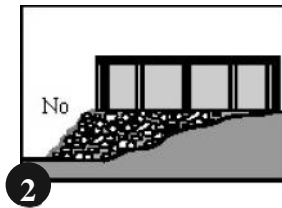
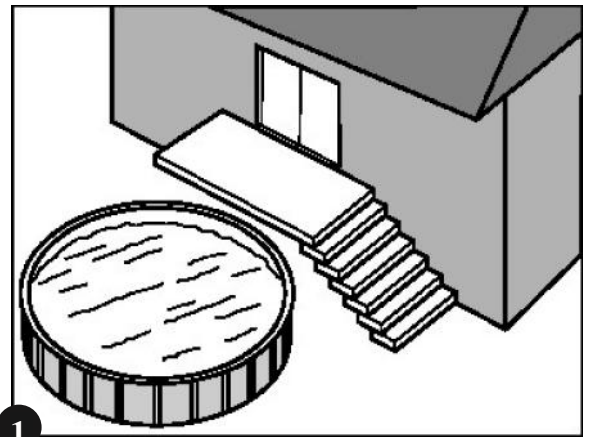
These instructions explain how to install your pool. Simply follow the step-by-step directions.

## B. Determine a Location for your Pool

### 1. The Terrain

Pay special attention to choosing the right location for your pool:

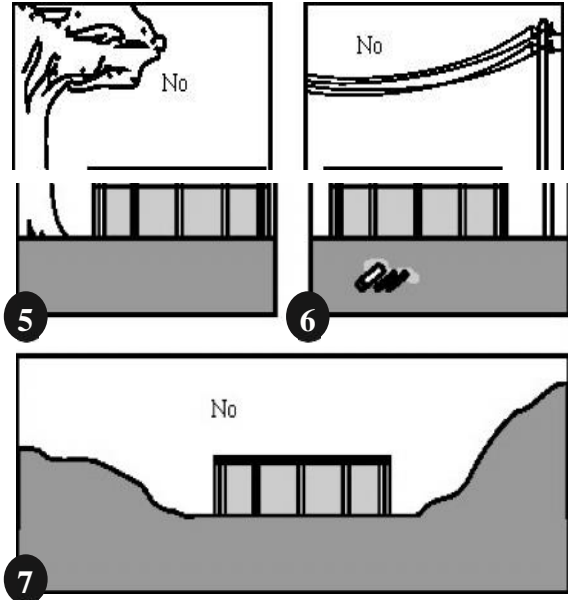
- ) Choose a large area, as flat and level as possible.
- ) Choose a spot on dry, firm earth. **Do not** install the pool on asphalt, tar paper, sand, gravel, peat moss, wood or chemically treated soil.
- ) Check with your pool dealer to see if Nut Grass grows in your area. This type of grass may grow up through your liner.
- ) Sloped areas will need to be made level by digging away high spots, **not** by filling low spots—be prepared to hire earth-moving equipment if necessary.



## 2. Things to Avoid

**Do not** locate your pool near or on any of the following:

- ) Overhanging tree branches.
- ) Overhead wires and clotheslines.
- ) Buried pipes and wires—contact your gas, electric and telephone utilities to find buried pipes and wires before you dig.
- ) Hilly and uneven terrain.
- ) Areas with poor drainage.
- ) Grass, stone and roots. Grass will rot underneath the pool liner, and stones and roots will damage the pool liner.
- ) Areas recently treated with oil-based weed killer, chemicals or fertilizers.



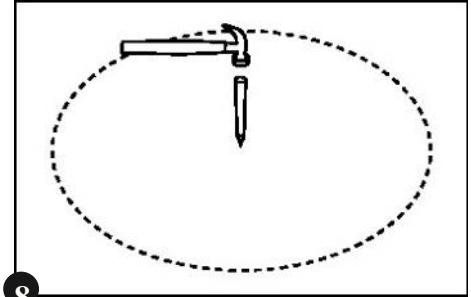
## 3. Plan Ahead

- ) Will you be adding an adjacent deck later? Be sure to leave room.
- ) Will you be using pool accessories or other appliances that need electricity or gas? Locate your pool near these services or plan to have them installed later by a licensed contractor.

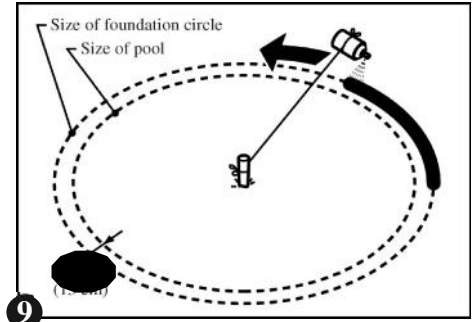
## C. Prepare the Foundation of your Circular or Oval Pool

### 1. Mark out the Area

- A. Drive a peg into the ground at the **center** of the area where you want your pool.
- B. Use a length of string tied between the peg and a can of spray paint and mark a circle on the ground. Choose the length of string you need for your pool from the chart. The circle will be 3' bigger all round than the pool. This is for the collar pour.



8

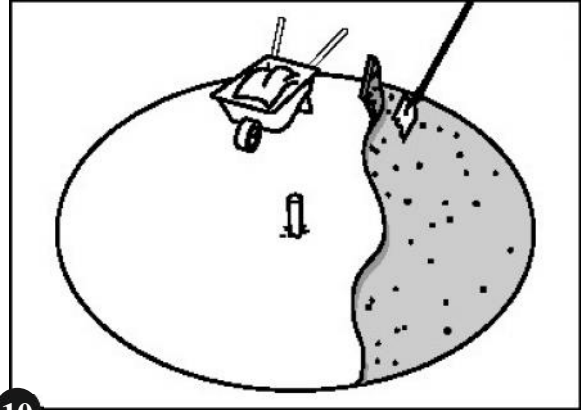


9

Pool Size	Length of String	Length of plank 2 X 4
12'	9'-0"	9'-0"
15'	10'-6"	10'-6"
18'	12'-0"	12'-0"
24'	15'-0"	15'-0"
30'	18'-0"	18'-0"
33'	19'-6"	19'-6"

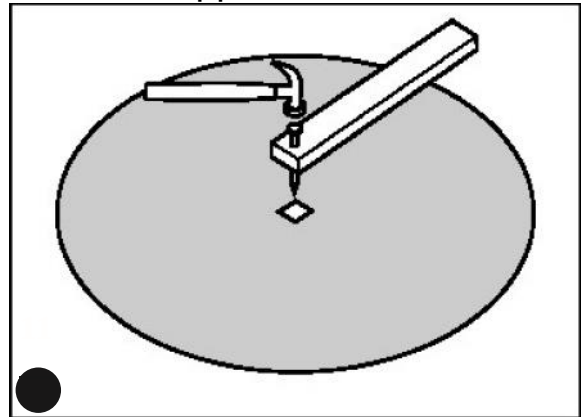
## 2. Remove the Sod

- A. Remove all sod and plants from the circle.
- B. Remove any sticks, stones and roots from the circle.
- C. Dig 1' down at the lowest point of the ground.

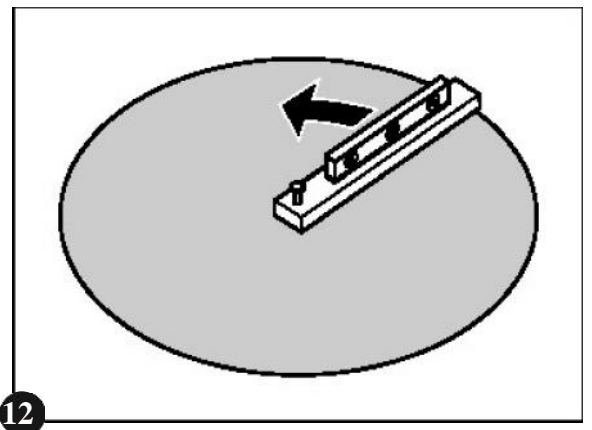


## 3. Make the Area Flat and Level

- A. Replace the center peg with a flat-topped stake, at least 1" square and 6" long. Drive it down flush with the ground surface.
- B. Nail one end of a straight plank (2 X 4) to the top of the stake. Choose the length of the plank from the chart above. Use a nail long enough to hold the end of the 2 X 4 to the stake while you rotate it in a circle.



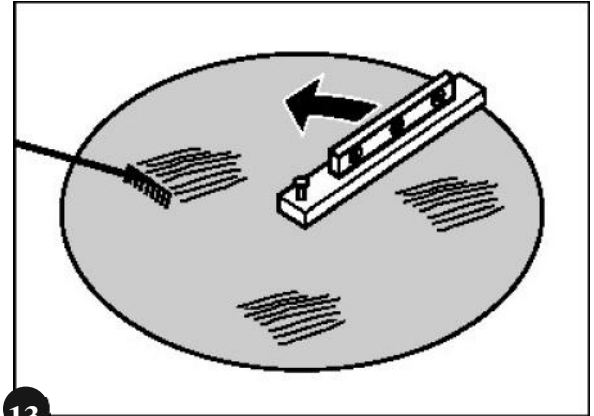
- C. Put a carpenter's level on the 2 X 4 and swing the board in a circle to find the high and low spots.



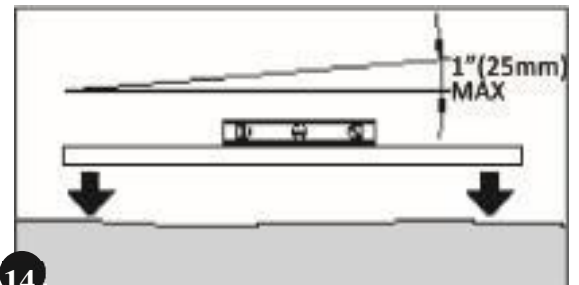
Remove all the high spots with a shovel, hoe, or rake. Be prepared to hire earth moving equipment if you need to level a large area. Remember your pool **must** be level within 1" across the diameter of the pool.

- D. Do not fill in low areas. Filling will create an unsafe foundation for your pool. Small dips and hollows may be filled in, but the soil must be hardpacked with a tamping tool.

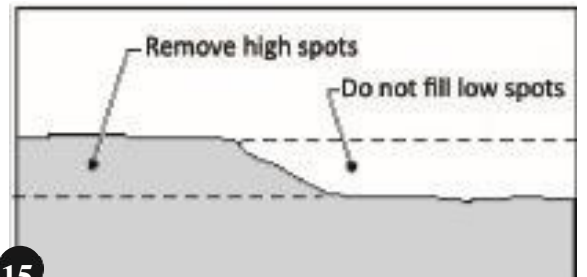
- E. Recheck the outer of the circle, there the pool wall will be. Make sure there are no high spots. The bottom edge of the pool wall must rest flat on the ground and have no gaps under it.



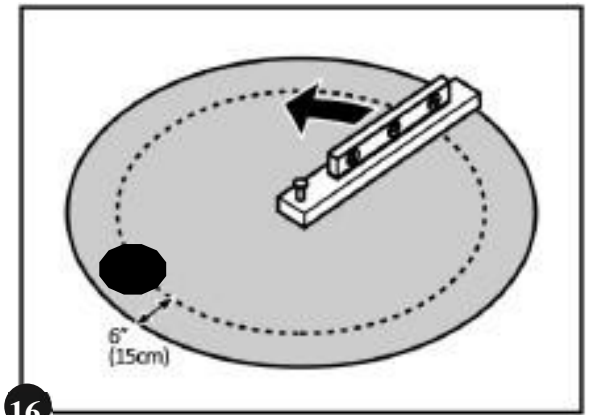
13



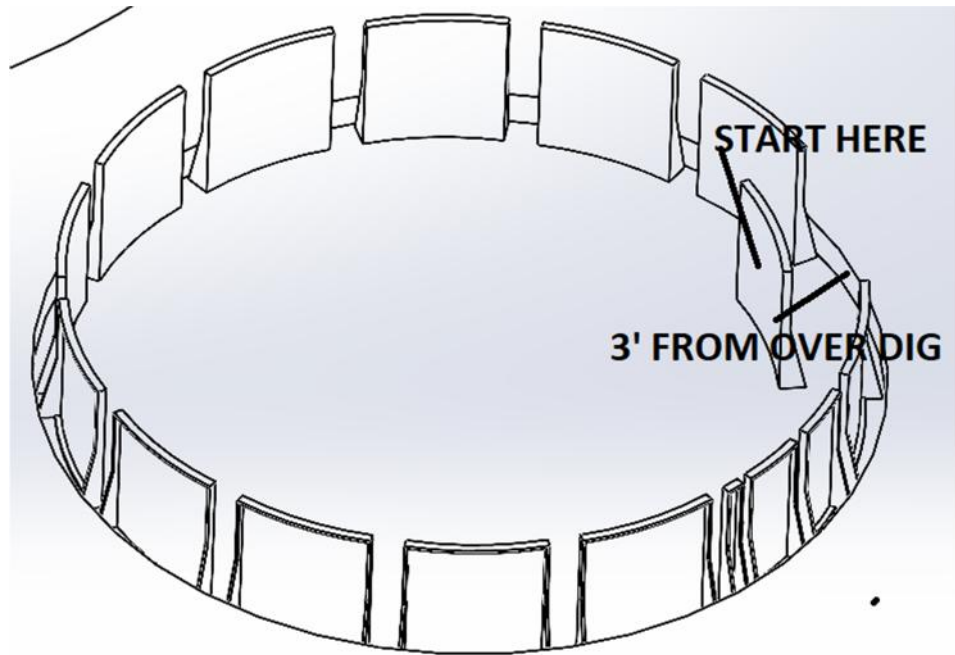
14



15



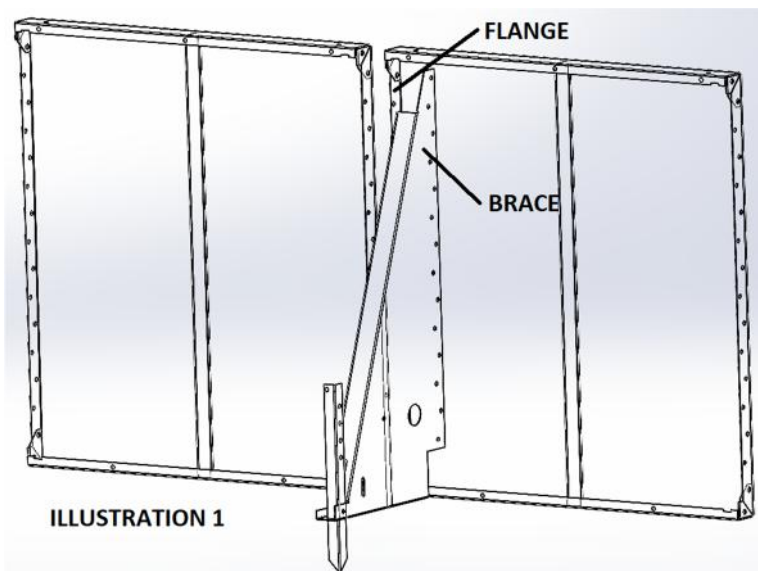
16



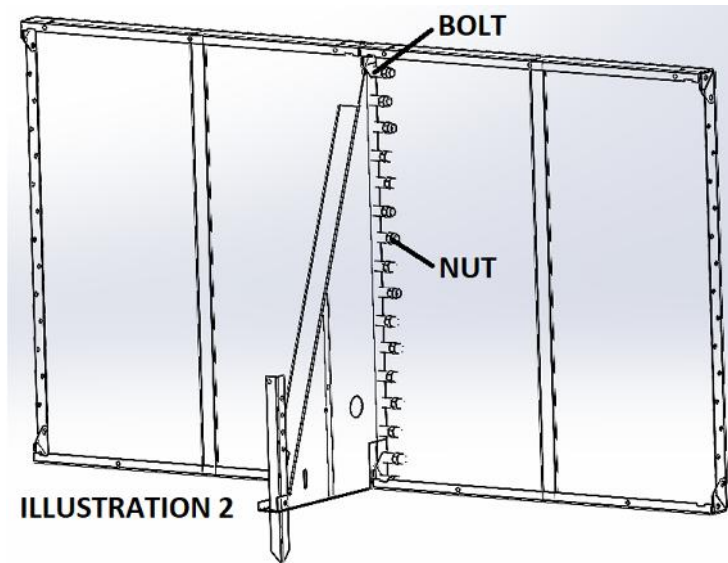
4. Lay the panel around the perimeter of the pool. Place the face, of the first panel, 3' inside the perimeter of the over dig.

**5. Panel Assembly**

A. Place 2 panels together with a brace to the inside of the panel flange. Not in between the panels.  
(see illustration 1)



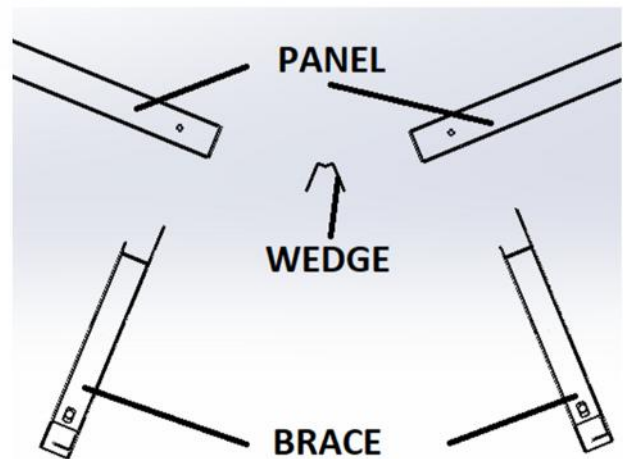
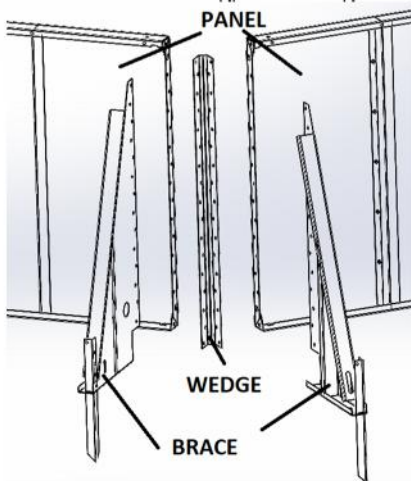
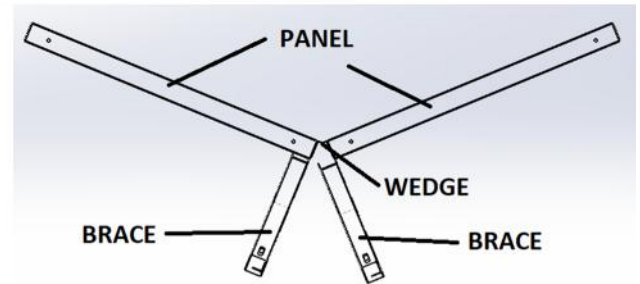
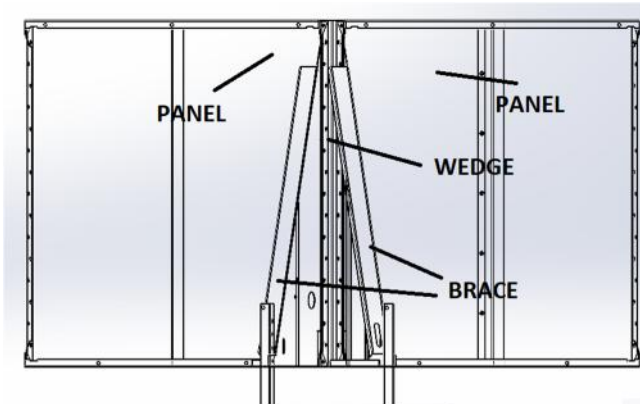
- B. Place bolts in the holes of the panels and braces, then apply the nuts loosely. Continue this process all the way around the pool.



- C. Use the carpenter's level on the face of the panel to make sure they are not leaning in or out.
- D. Use cross measurements to check if the pool is square. Measure from joint to joint at different locations.
- E. Tighten the nuts and bolts on all panels. Double check the cross measurements to keep the pool square.
- F. After the panels are bolted together spread 2" of sand (no pebbles) over the foundation area inside the panels. Use a rake to make the sand flat and smooth.

## 6. Grecian Corners

- A. When assembling a Grecian corner, the Grecian Wedge will determine the angle of the next panel.
- B. Bolt the wedge and brace to straight side of the Grecian pool. Be sure that the brace is on the inside of the flange of the panels.

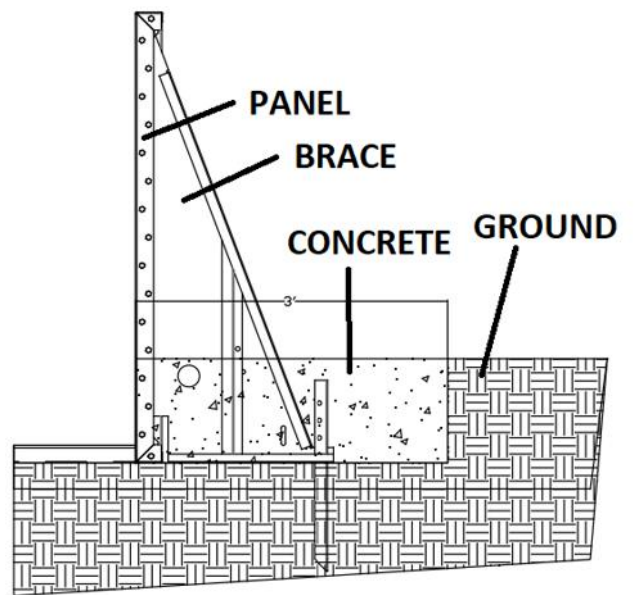
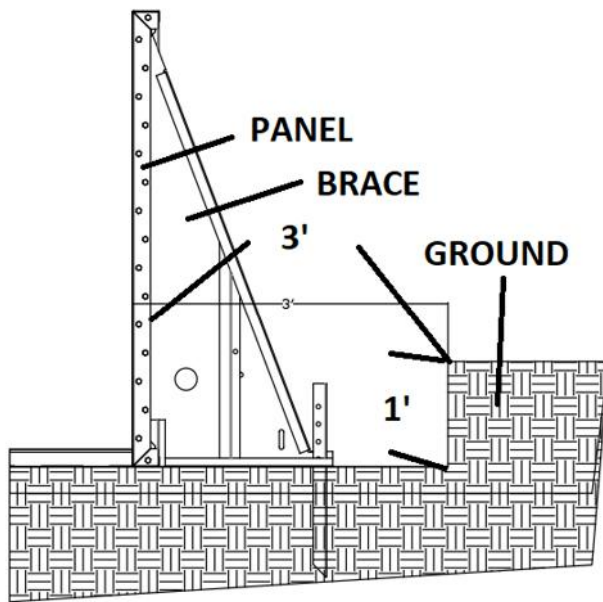


- C. Use this process on all 8 corners of the Grecian pool.
- D. Use cross measurements to check if the pool is square.

**Use this same procedure for rectangular pools.**

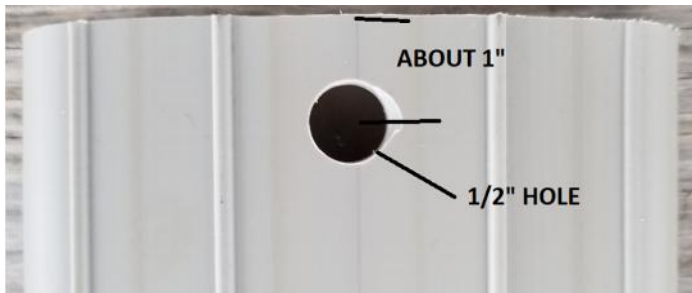


After all the panels are installed and checked to be level and square, tighten all bolts.  
The collar can be poured at this time. It will be 3' wide and 1' deep with rebar.



To install the top cap, drill ½” holes in the top center of the top cap. **DO NOT DRILL ALL THE WAY THROUGH THE TOP CAP.**

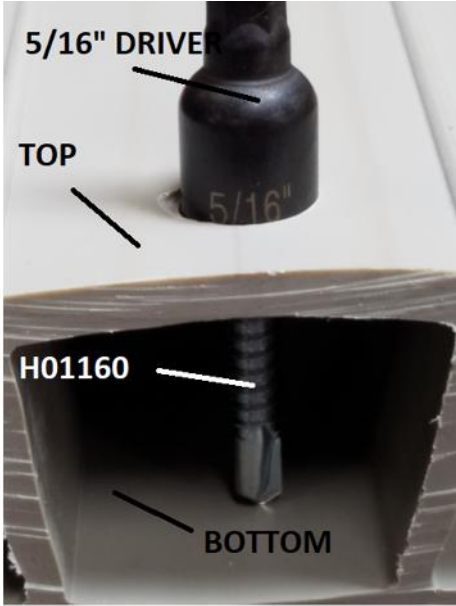
The holes will need to be about 1” from the end of the top cap and about 12” apart. This distance can vary depending on the panels.



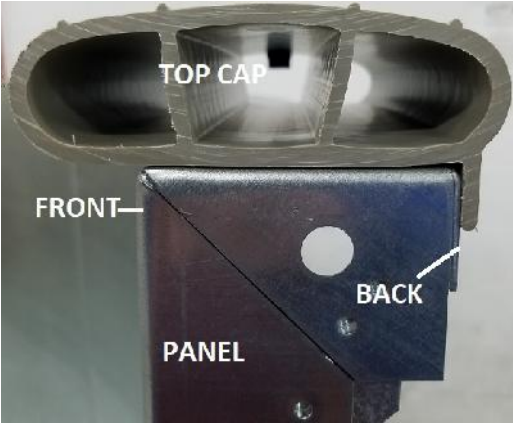
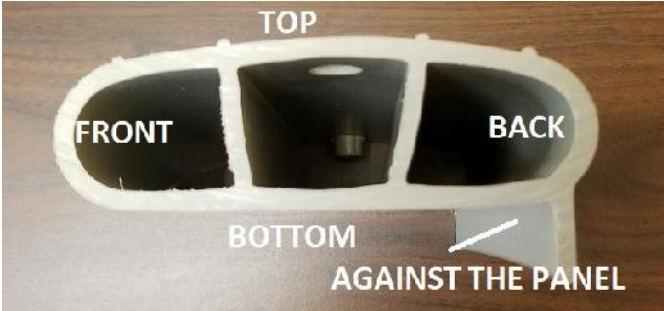
The radius panels have slots cut in the top and bottom and the holes could be over one of these slots. If the hole is over a slot then move the hole to the right or left of the slot.



Use H01160 self-tapping screws to attach the top cap to the panels.



The bottom lip of the top cap will be placed against the back of the panel.



Use a mitre saw to cut the corners on the top cap (benches, steps, etc.). Set the angle on the mitre saw for desired corner. Example: 90° corner = 45° mitre cut, 45° corner = 22.5° mitre cut.



Using a scrap piece of wood for bracing, position the top cap so the bottom lip is resting against the guide. Verify the desired angle before cutting.

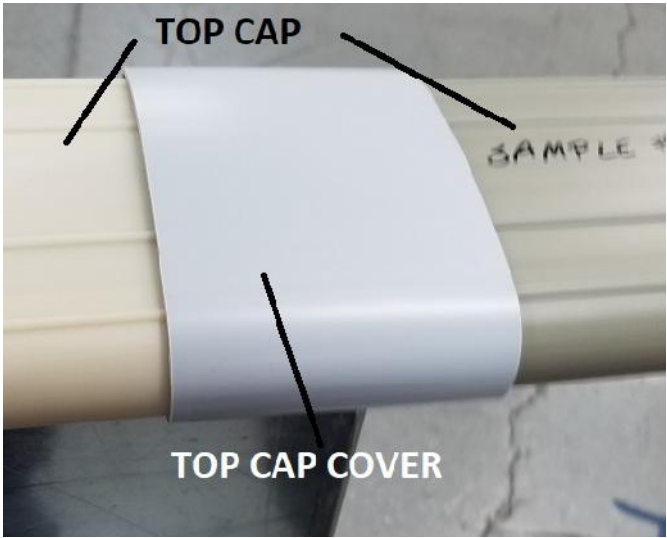


Adjust mitre saw angle to cut joining top cap.



For radius pools, the installer will have to form the top cap to fit the radius. Continue this process for the entire perimeter of the pool.

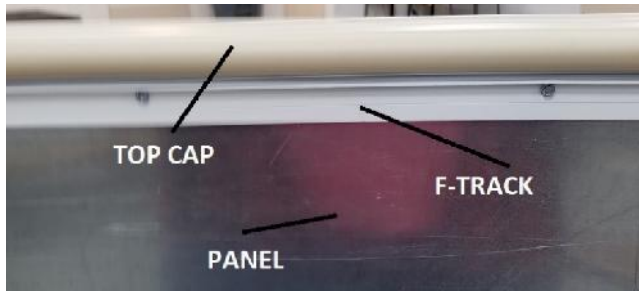
Use the top cap covers to cover the joints that are in the top caps. Double-sided tape can be used to hold the covers in place.



Install the hole plugs in the holes that were drilled.



Install the F-track up against the top cap on the inside of the panels. Use H01160 self-tapping screws.

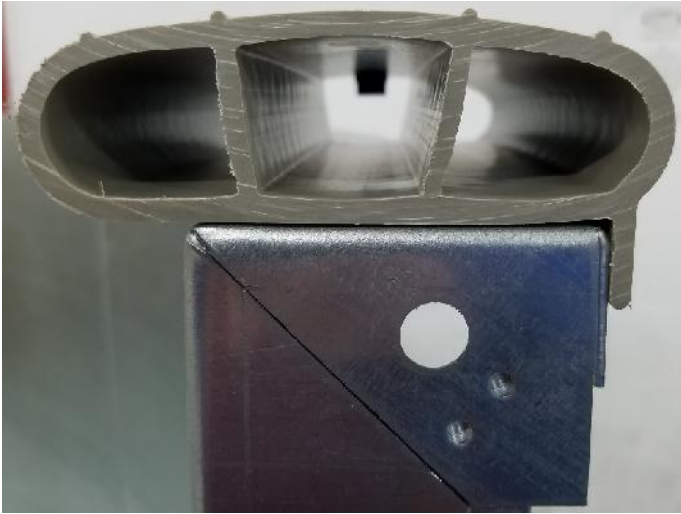


Install the H01160 self-tapping screws above the die line, as straight and as close to the bottom ledge as possible. When complete, tape off the screw heads to help prevent the liner from being damaged.





There are 2 types of top cap, standard and deck top cap.



**STANDARD TOP CAP**

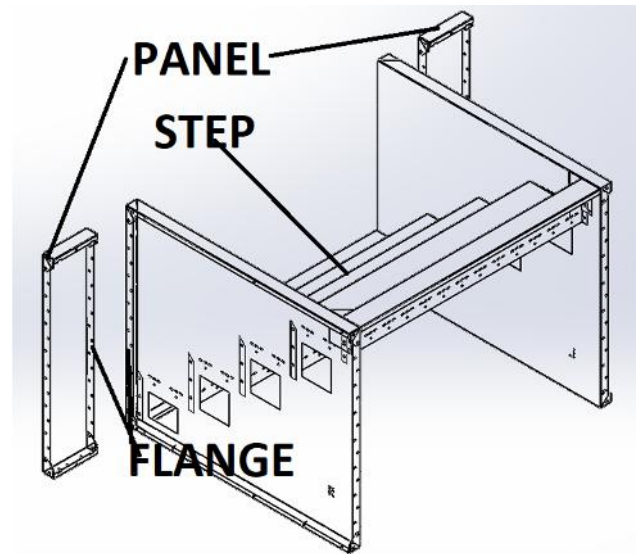
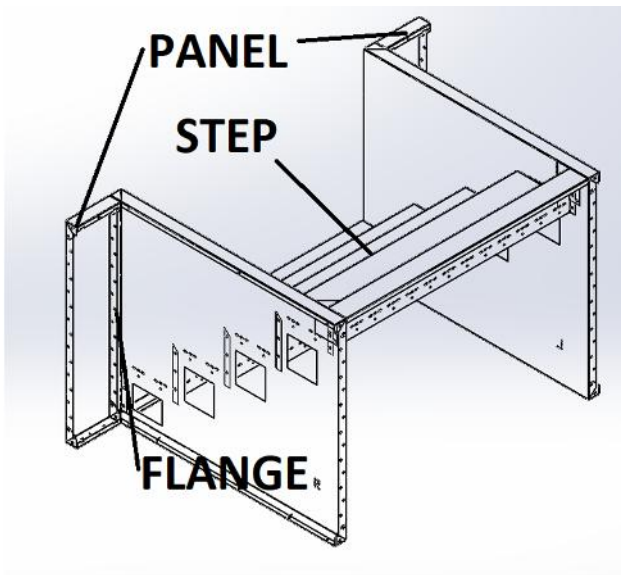


**DECK TOP CAP**

These can be mixed if the deck is not going all the way around the pool.  
Use the standard top cap cover over the joint.

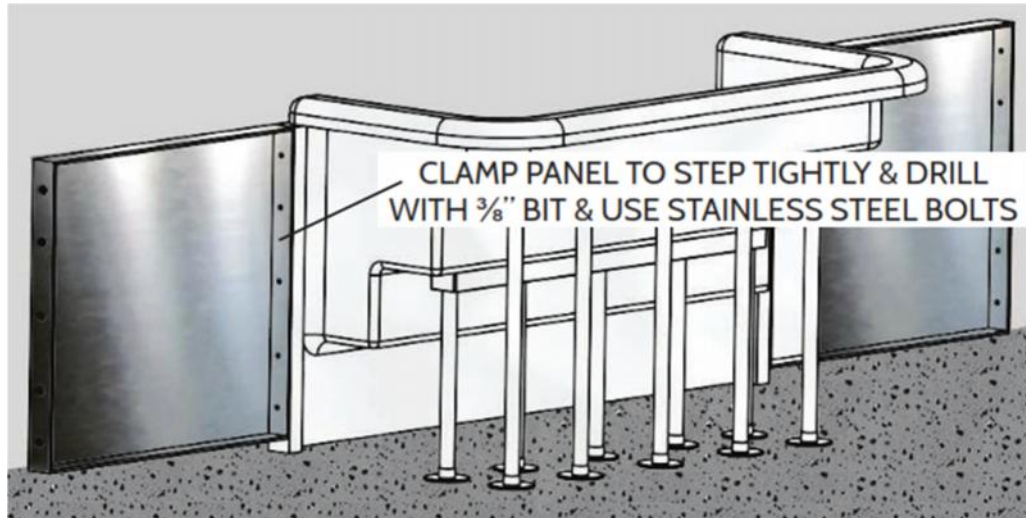
# 52" STEEL STEP INSTALLATION INSTRUCTIONS

After the step is assembled, move it to the desired location for the pool. Start with bolting the panels on either side of the step loosely. The panels bolt to the side of the step, not the front.



Continue to bolt the rest of the panels and braces together, loosely, for the pool. Use a carpenter's level and cross measurements to square and level the panels. After the pool is assembled and is square and level tighten all bolts.

# POLYMER STEP INSTALLATION INSTRUCTIONS



1. Place the step in the appropriate location in the pool installation.
2. Cut leveling supports to proper length as needed for the step.  
Additional leveling columns must be cut and placed under the step for each support socket. (2" Schedule 40 PVC)
3. Gently tap the leveling columns until they are fully seated in the sockets provided on the step support.
4. Properly level the step. (Using a carpenter's level can assist in this process)

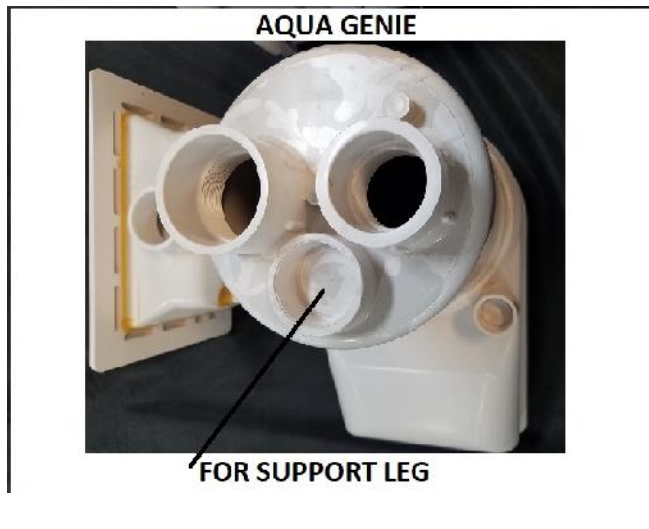


5. Clamp the pool walls to the step. Ensure the walls are properly installed to the step. **DO NOT DRILL THE HOLES FOR THE STEP UNTILL THE ENTIRE POOL IS ASSEMBLED.**

6. After the pool is fully assembled, square and level, check the step to insure it is still in the correct position. Use a 3/8" drill bit and drill the back set of mounting holes through the flange of the panels into the step. Bolt the step to the panels.

# SKIMMER INSTALLATION INSTRUCTIONS

1. Use manufactures installation instructions to install all skimmers.
2. Use a piece of 1½” Schedule 40 PVC, cut to length, as a support leg to support the skimmer outside of the pool wall.



3. Flexible tubing can be used to plumb the skimmer, pump, filter, and return/inlet.

