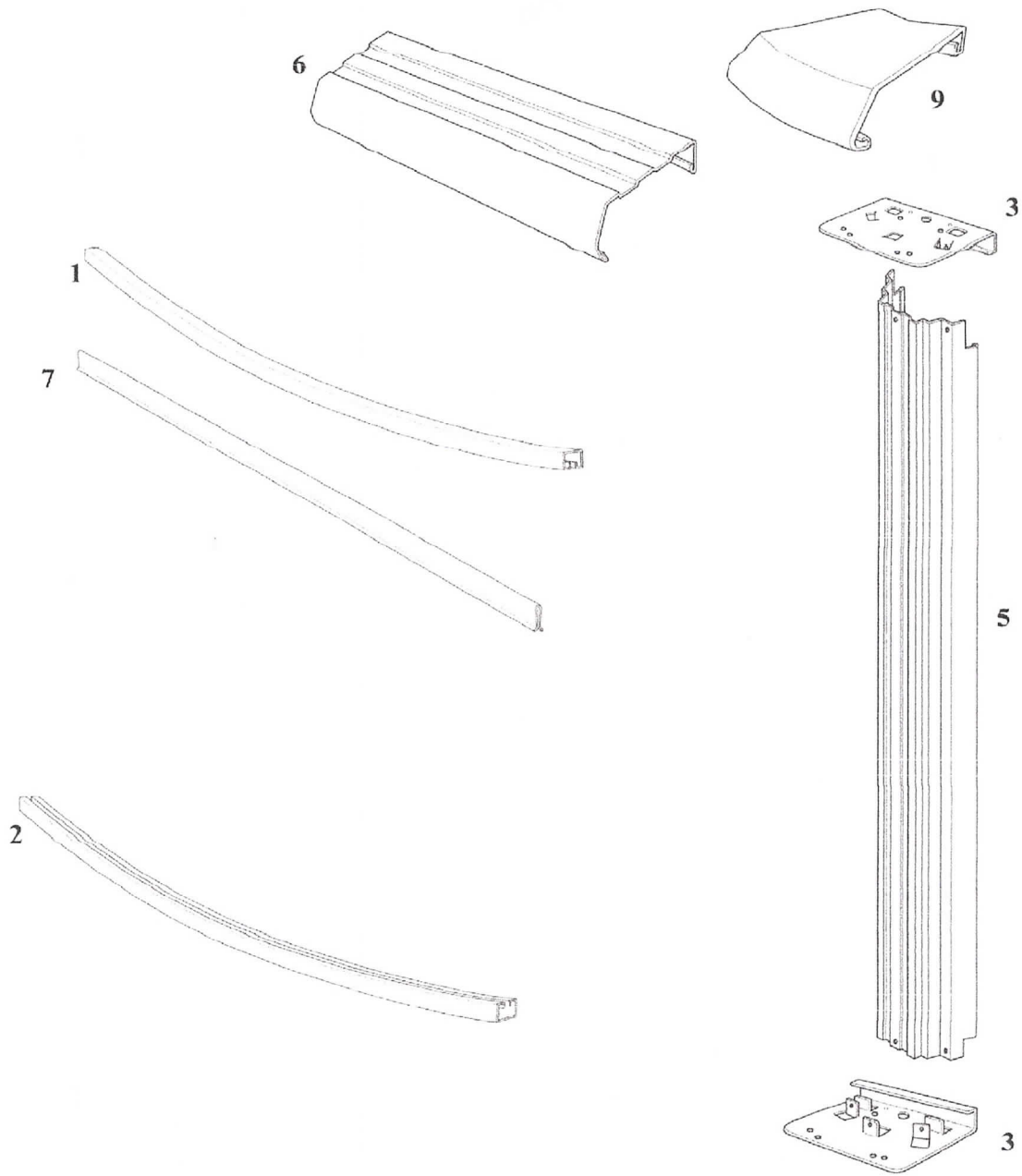


**REPRIEVE ROUND  
PREPFAL-  
\*\*54RSRRSN1-SA**



Relieve Round

9/19/2022

Product Code

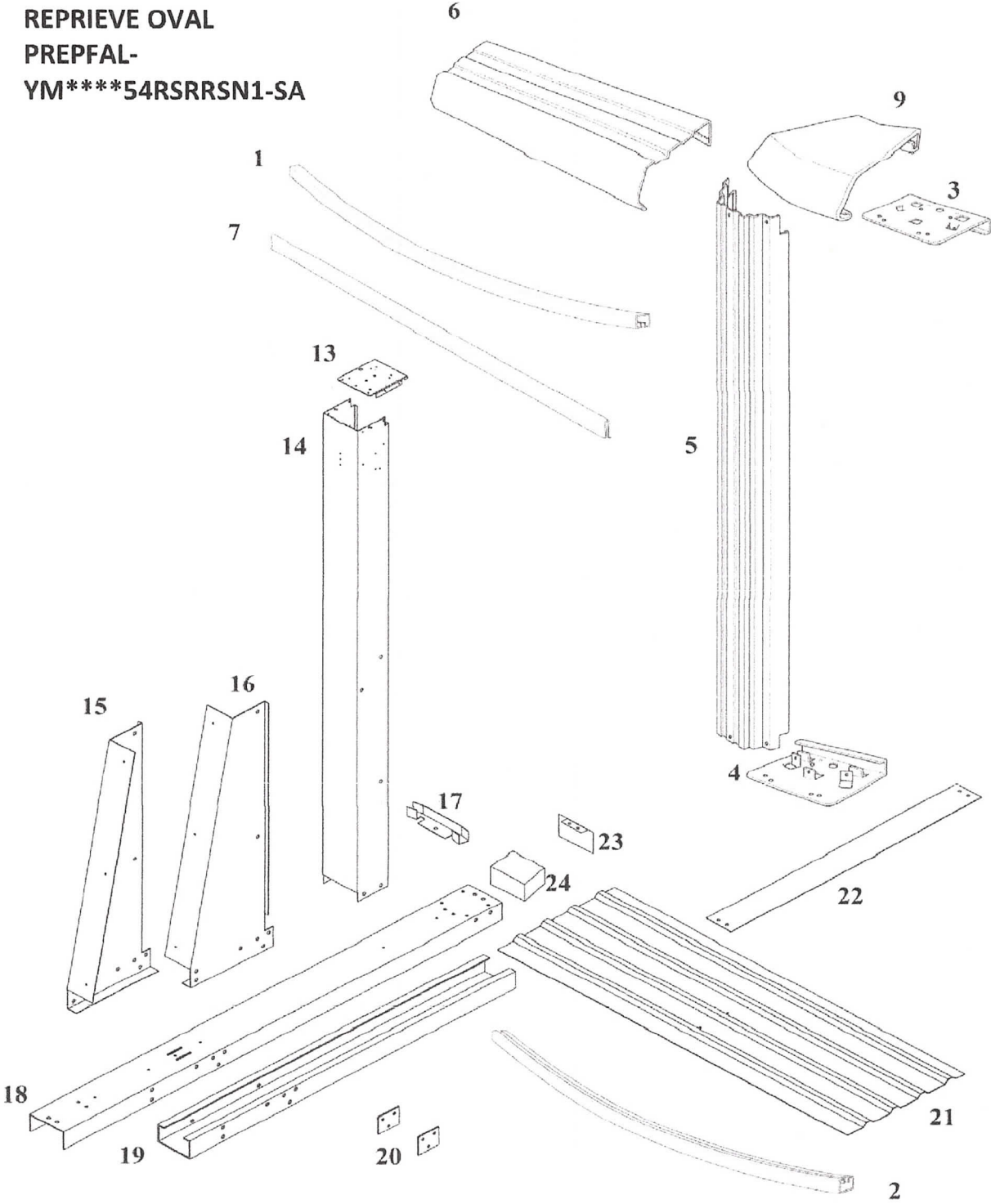
PREPFAL-\*\*54RSRRSN1-SA

Qty Required for Installation (by Size)

Index #	Description	Part #	Length	12'	15'	18'	21'	24'	27'	30'
6	Top Rail Curved	40221	56.093"		10	12	14	16	18	20
6	Top Rail Curved	40442	40.405"	11						
5	Upright Curved	35399	53 13/16"	11	10	12	14	16	18	20
9	Top Cap	21431	6"	11	10	12	14	16	18	20
3	Top / Bottom Plate	11595	4-1/2"	22	20	24	28	32	36	40
7	Plastic Coping	10296	48"	9	12	14	16	19	21	24
1	Inner Stabilizer Connector	29931	5-1/2"	11	11	12	14	16	18	23
1	Inner Stabilizer	39999	42-5/8"	11						
1	Inner Stabilizer	29889	56-1/16"		11					
1	Inner Stabilizer	29890	56-1/16"			12				
1	Inner Stabilizer	29891	56-1/16"				14			
1	Inner Stabilizer	29892	56-1/16"					16		
1	Inner Stabilizer	29893	56-1/16"						18	
1	Inner Stabilizer	29894	56-1/16"							23
2	Bottom Rail	38991	38"	11						
2	Bottom Rail	12321	54-1/4"			12				
2	Bottom Rail	12312	54-1/4"		10					
2	Bottom Rail	12322	54-1/4"				14			
2	Bottom Rail	12323	54-1/4"					16		
2	Bottom Rail	12324	54-1/4"						18	
2	Bottom Rail	12325	54-1/4"							20
*	Hardware	44-10004		1	1					
*	Hardware	44-10008				1	1			
*	Hardware	44-10010						1		
*	Hardware	44-10011							1	
*	Hardware	44-10013								1
*	Envelope Safety Stickers	95-0007		1	1	1	1	1	1	1
*	Instructional DVD	36879		1	1	1	1	1	1	1

\*May not be pictured

REPRIEVE OVAL  
PREPFAL-  
YM\*\*\*\*54RSRRSN1-SA



**Product Description:**

**Reprive Yardmore Oval**

9/19/2022

**Product Code:**

**PREPFAL-YM\*\*\*\*54RSRRSN1-SA**

**Qty Required for Installation (by Size)**

Index #	Description	Part #	Length	1224	1526	1530	1833
6	Top Rail Curved	40442	40.405"	10			
6	Top Rail Curved	40443	51.467"		10	10	
6	Top Rail Curved	40444	52.217"				12
6	Top Rail Straight Side	40445	41.843"	8	8	10	10
5	Upright	35399	53 13/16"	12	12	12	14
14	W-A Upright Oval Straight Side	35739	54"	6	6	8	8
9	Top Cap	21431	6"	18	18	20	22
13	Top Plate Oval	10136	4"	6	6	8	8
3	Top / Bottom Plate	11595	4-1/2"	24	24	24	28
7	Plastic Coping	10296	48"	16	19	19	21
1	Inner Stabilizer Connector	29931	5-1/2"	12	12	12	12
1	Rim	29890	56-1/16"				12
1	Rim	11428	51-1/16"		10	10	
1	Rim	29934	8"	6	6	8	8
1	Rim	29935	33"	4	4	6	6
1	Rim	29936	37"	4	4	4	4
1	Rim	33129	40-1/4"	10			
2	Bottom Rail Straight Side	12327	37-1/2"	4	4	6	6
2	Bottom Rail	12311	49"		10	10	
2	Bottom Rail Corner	12328	39"	4	4	4	4
2	Bottom Rail	12331	50"				12
2	Bottom Rail	38991	38"	10			
17	Connector Bottom Rail Straight Side	16542	1"	6	6	8	8
21	Pressure Plate	16549	44"	6	6	8	8
18	Upper Oval Channel	16539	52-3/8"	6	6	8	8
23	Oval Channel End Cap	22726		6	6	8	8
24	Oval Channel Foam Block	29917	2x4x4-1/8"	6	6	8	8
19	Under Ground Channel YM	15933	45-9/16"	6	6	8	8
15	Yardmore Gusset Left	35740		6	6	8	8
16	Yardmore Gusset Right	35741		6	6	8	8
22	Strap Section	16724	41-1/16"	6			
22	Strap Section	16725	40-11/16"		9	12	
22	Strap Section	16726	52-11/16"				12
20	Hardware Stainless Steel Base Pack YM (4 Uprights)	22-16720		1	1	2	2
20	Hardware Stainless Steel Base Pack YM (2 Uprights)	22-16722		1	1		
*	Hardware	44-10037		1	1		
*	Hardware	44-10039				1	
*	Hardware	44-10040					1
*	Envelope Safety Stickers	95-0007		1	1	1	1
*	Instructional DVD	36879		1	1	1	1

\*May not be pictured