



Palm Shore

52 Inch Tall Oval Pools

Parts List

Palm Shore Oval Pool — Parts List

ITEM #	DESCRIPTION	20' x 12'		28' x 12'		32' x 12'		44' x 12'		40' x 16'	
		PART #	QTY.	PART #	QTY.	PART #	QTY.	PART #	QTY.	PART #	QTY.
	ASSEMBLY PACK	0-9902-911	1	0-9910-911	1	0-9922-911	1	0-9944-911	1	0-9906-910	1
1.	Plastic Coping, 24"	545-1001	30	545-1001	37	545-1001	41	545-1001	53	545-1001	52
2.	Connector Decor Strip	340-2646	15	340-2646	19	340-2646	21	340-2646	27	340-2646	25
3.	Vertical End Cap	580-2160	20	580-2160	20	580-2160	20	580-2160	20	580-2160	24
4.	Stabilizer Rail, small dia.	583-1012	8	583-1012	8	583-1012	8	583-1012	8	583-1012	10
5.	Stabilizer Rail, large dia.										
*5A.	Stabilizer Rail, large dia.	583-1011	10	583-1011	14	583-1011	16	583-1011	22	583-1011	18
6.	Bottom Rail (Stamped 12, 16, 18 or 21)	589-1046	12	589-1046	12	589-1046	12	589-1046	12	589-1046	10
7.	Side Rail (Stamped S)	589-1052	2	589-1052	6	589-1052	8	589-1052	14	589-1052	10
8.	Transition Rail (Stamped TR)									589-1053	4
9.	Outer Connector Bracket	580-2159	4	580-2159	8	580-2159	10	580-2159	16	580-2159	12
10.	Connector Support Bracket	580-1654	4	580-1654	8	580-1654	10	580-1654	16	580-1654	12
11.	Side Vertical Cap	580-2056	4	580-2056	8	580-2056	10	580-2056	16	580-2056	12
12.	Connector Skirt, Vertical	580-2324	10	580-2324	10	580-2324	10	580-2324	10	580-2324	12
13.	Top Connector	5186-1216	14	5186-1216	18	5186-1216	20	5186-1216	26	5186-1216	24
14.	Connector, Skirt, Buttress	580-2325	4	580-2325	8	580-2325	10	580-2325	16	580-2325	12
**15.	Sheet Metal Screw, # 10x1/2" Type AB	330-1127	130	330-1127	210	330-1127	280	330-1127	280	330-1127	275
**16.	Machine Screw, # 10-24 x 1/2" pan head	510-1008	4	510-1008	8	510-1008	10	510-1008	16	510-1008	12
**17.	Square Nut, # 10-24	321-1025	4	321-1025	8	321-1025	10	321-1025	16	321-1025	12
18.	Pool Parts List	573-3537	1	573-3537	1	573-3537	1	573-3537	1	573-3537	1
19.	Pool Installation Instructions	573-3308	1	573-3308	1	573-3308	1	573-3308	1	573-3308	1
20.	"Safety First" Booklet	573-3169	1	573-3169	1	573-3169	1	573-3169	1	573-3169	1
21.	_____	_____	_____	_____	_____	_____	_____	_____	_____	_____	_____
22.	_____	_____	_____	_____	_____	_____	_____	_____	_____	_____	_____
23.	_____	_____	_____	_____	_____	_____	_____	_____	_____	_____	_____
24.	_____	_____	_____	_____	_____	_____	_____	_____	_____	_____	_____
25.	Warranty Card	_____	1	_____	1	_____	1	_____	1	_____	1
26.	_____	_____	_____	_____	_____	_____	_____	_____	_____	_____	_____
27.	Top Rail - Common	587-1703	2	587-1703	6	587-1703	8	_____	_____	_____	_____
	TOP RAIL PACK	0-9821-911	1	0-9821-911	1	0-9821-911	1	0-9821-911	1	0-9812-911	2
	TOP RAIL PACK	_____	_____	_____	_____	_____	_____	0-9814-911	1	_____	_____
28.	Top Rail	587-1702	12	587-1702	12	587-1702	12	587-1702	12	587-1703	24
27.	Top Rail - Common							587-1703	14		
	VERTICAL CARTON - 52"	0-9710-910	1	0-9710-910	1	0-9710-910	1	0-9710-910	1	0-9712-910	1
29.	Vertical Side Section - 52"	580-2327	20	580-2327	20	580-2327	20	580-2327	20	580-2327	24
30.	Vertical Center Section - 52"	580-2326	10	580-2326	10	580-2326	10	580-2326	10	580-2326	12
	POOL LINER CARTON										
***31.	Pool Liner	0-_____	1	0-_____	1	0-_____	1	0-_____	1	0-_____	1
32.	Chlorine/Winterizing Instructions	573-2421	1	573-2421	1	573-2421	1	573-2421	1	573-2421	1
33.	Installation Instruction Insert	369-1145	1	369-1145	1	369-1145	1	369-1145	1	369-1145	1
34.	"Warning" Decal	560-1041	3	560-1041	3	560-1041	3	560-1041	3	560-1041	3
35.	Warranty Card - Liner	_____	1	_____	1	_____	1	_____	1	_____	1
****36.	Repair Patch	564-1000	1	564-1000	1	564-1000	1	564-1000	1	564-1000	1
*****37.	"Deeper Area" Decal	560-1042	2	560-1042	2	560-1042	2	560-1042	2	560-1042	2
38A.	"Shallow" Decal, 3-1/2 Ft.	560-1043	3	560-1043	3	560-1043	3	560-1043	3	560-1043	3
38B.	"Shallow" Decal, 3-3/4 Ft.	560-1056	3	560-1056	3	560-1056	3	560-1056	3	560-1056	3
38C.	"Shallow" Decal Insert Sheet	369-1216	1	369-1216	1	369-1216	1	369-1216	1	369-1216	1
39.	"Safety First" Booklet SIDEWALL CARTON	573-3169	1	573-3169	1	573-3169	1	573-3169	1	573-3169	1
40.	Sidewall - 52" Tall	0-0009-002	1	0-0009-010	1	0-0009-022	2	0-0009-044	2	0-0009-006	2
41.	Joint Piece - 52"	580-1914	1	580-1914	1	580-1914	2	580-1914	2	580-1914	2
42.	Large Cover Plate	_____	_____	_____	_____	580-2330	2	580-2330	2	580-2330	2
43.	Small Cover Plate	_____	_____	_____	_____	580-2331	2	580-2331	2	580-2331	2
44.	"Warning" Sign	560-1046	1	560-1046	1	560-1046	2	560-1046	2	560-1046	2
45.	"Safety First" Booklet	573-3169	1	573-3169	1	573-3169	2	573-3169	2	573-3169	2
46.	Adhesive Squares	310-1034	6	310-1034	6	310-1034	12	310-1034	12	310-1034	12
47.	Safety Video	573-3498	1	573-3498	1	573-3498	2	573-3498	2	573-3498	2
	SUPPORT PACK 4 — CARTON	0-8888-204	1	0-8888-204	2	0-8888-204	1	0-8888-204	1		
	SUPPORT PACK 6 — CARTON	_____	_____	_____	_____	0-8888-206	1	0-8888-206	2	0-8888-206	2
48.	Skid Support	580-1779	4	580-1779	8	580-1779	10	580-1779	16	580-1779	12
49.	Ground Support - Top	580-2071	4	580-2071	8	580-2071	10	580-2071	16	580-2071	12
50.	Ground Support - Bottom	580-2072	4	580-2072	8	580-2072	10	580-2072	16	580-2072	12
51.	Pressure Pad - Inside	580-1870	4	580-1870	8	580-1870	10	580-1870	16	580-1870	12
52.	Pressure Pad - Outside	580-1869	4	580-1869	8	580-1869	10	580-1869	16	580-1869	12
53.	Bottom Rail Locator	580-1792	4	580-1792	8	580-1792	10	580-1792	16	580-1792	12
*54.	Sheet Metal Screw, No. 12 x 3/4"	510-1035	24	510-1035	48	510-1035	60	510-1035	96	510-1035	72
*55.	Hex Head Bolt, 3/8 - 16 x 3-1/2"	330-1220	16	330-1220	32	330-1220	40	330-1220	64	330-1220	48
*56.	Hex Nut, 3/8 - 16	321-1069	16	321-1069	32	321-1069	40	321-1069	64	321-1069	48
*57.	Hex Head Screw, 1/4 - 20 x 1/2"	510-1018	16	510-1018	32	510-1018	40	510-1018	64	510-1018	48
*58.	Hex Nut 1/4 - 20	511-1000	16	511-1000	32	511-1000	40	511-1000	64	511-1000	48
59.	Sheet Metal Screw, No. 10 x 1/2"	330-1127	24	330-1127	48	330-1127	60	330-1127	96	330-1127	72
	SUPPORT PACK 4 CARTON - 52"	0-8852-400	1	0-8852-400	2	0-8852-400	1	0-8852-400	1		
	SUPPORT PACK 6 CARTON - 52"	_____	_____	_____	_____	0-8852-600	1	0-8852-600	2	0-8852-600	2
60.	Side Vertical - 52"	580-2074	4	580-2074	8	580-2074	10	580-2074	16	580-2074	12

* These stabilizers are 43 1/4" long and are used on sides, between the buttresses. Use all remaining small and large diameter rails on the ends of the pool.

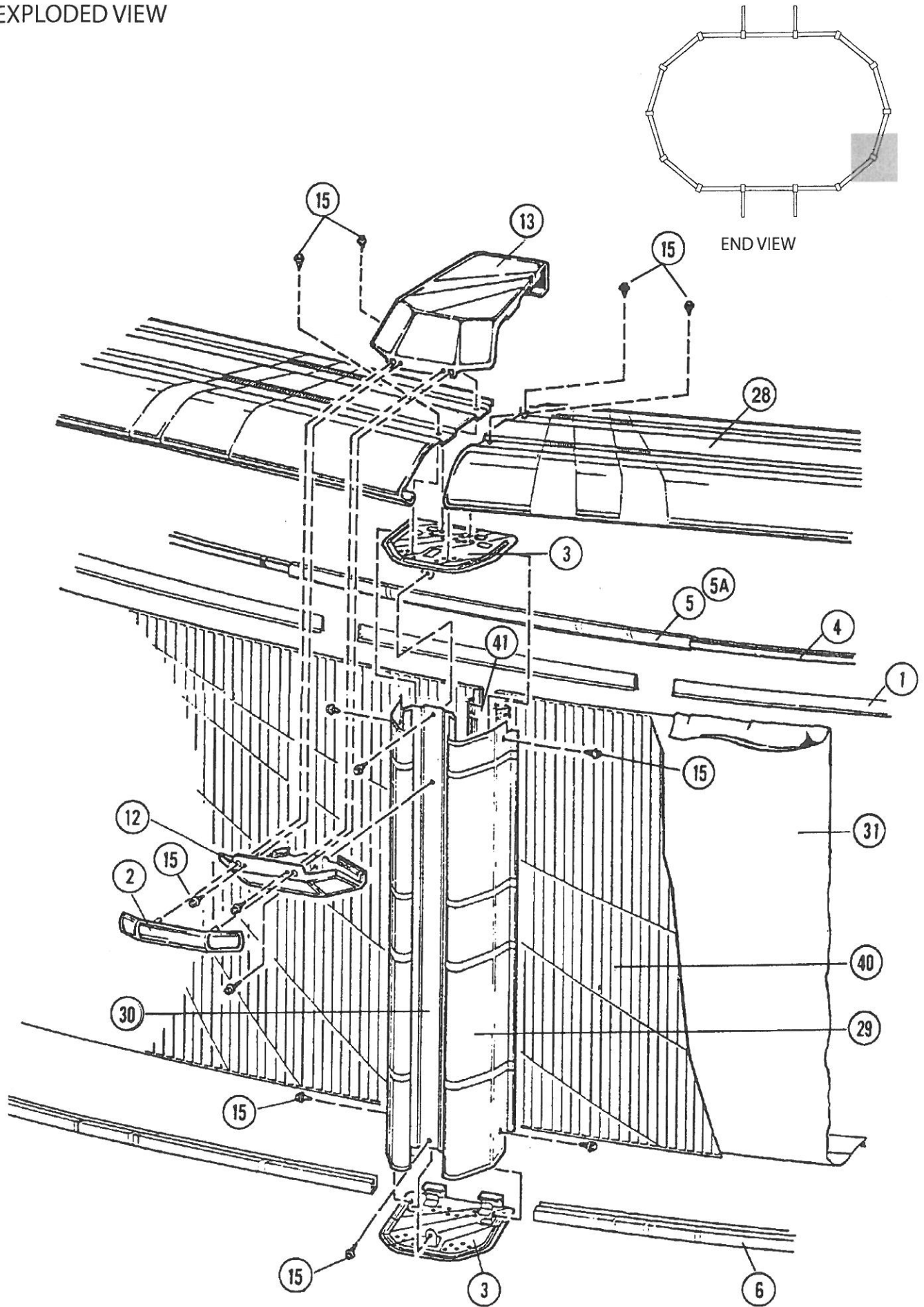
** Screws are available in most hardware stores.

*** Write the number of your liner in the spaces provided here and above. # _____.

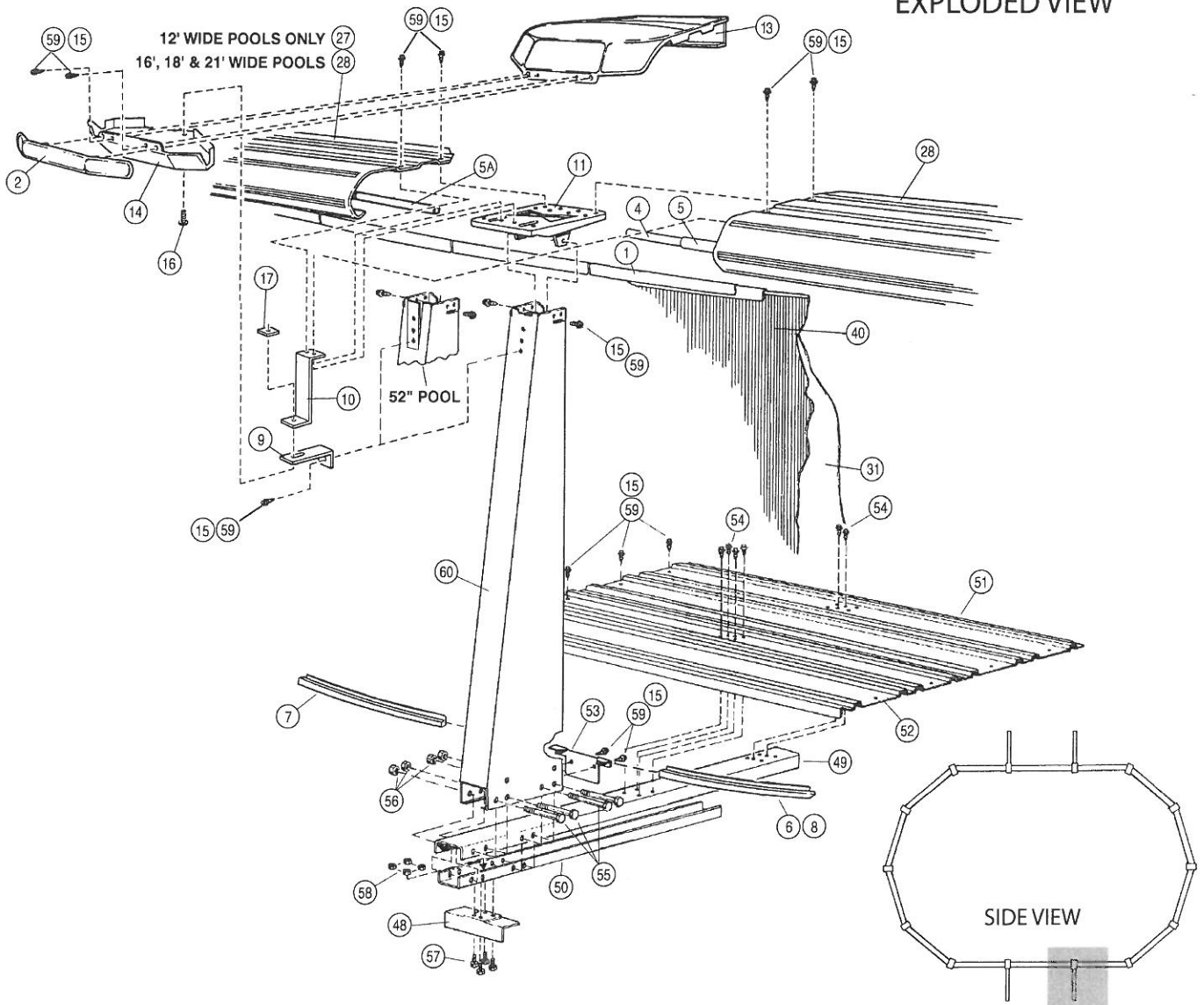
**** For additional patch kits order Part No. 0-5604-000.

***** Used only for pools with deep swimming areas.

EXPLODED VIEW



EXPLODED VIEW



Important! Above-ground pools are designed for swimming and wading only. Do not Dive or Jump! Misuse of your pool may result in crippling injury and/or other dangers to life and health. Do not use slides, diving boards, or any other platform or object which can be used for improper pool entry. Use only an above-ground swimming pool ladder or entry system to enter or exit your pool. Never attempt to swim or reach behind ladders or any other pool entry system. It is the pool owner's responsibility to secure the pool against unauthorized, unsupervised or unintentional entry. It is also the pool owner's responsibility to warn all pool users of the hazards of diving into shallow water: paralyzing injury may result. Always obey all safety rules. Remember, pool safety is everybody's responsibility.

Safety decals and caution information provided with your pool have been endorsed by the U.S. Consumer Product Safety Commission. It is mandatory that the pool owner and installer follow the installation and use directions for all provided safety signs and decals. Juveniles must be supervised at all times by a responsible adult as directed by the USCPSC.

Change of Design: Doughboy Recreational expressly reserves the right to change or modify the design and construction of any product in due course of their manufacturing procedures, without incurring any obligation to furnish or install such changes or modifications on products previously or subsequently sold.



DOUGHBOY RECREATIONAL • 315 N. Sebastian St. • West Helena, AR 72390
 Visit our website at www.doughboy-pools.com