



# SUMMERVILLE

## 48 Inch Tall Round Pools

---

### Parts List



# SUMMERVILLE 48" Round Pool — Parts List

ITEM #	DESCRIPTION	12' x 48"		16' x 48"		18' x 48"		21' x 48"		24' x 48"		28' x 48"	
		PART #	QTY.	PART #	QTY.	PART #	QTY.	PART #	QTY.	PART #	QTY.	PART #	QTY.
	ASSEMBLY PACK	0-9912-613	1	0-9916-613	1	0-9918-613	1	0-9921-613	1	0-9924-613	1	0-9928-613	1
1.	Plastic Coping, 24"	545-1001	22	545-1001	28	545-1001	30	545-1001	35	545-1001	40	545-1001	46
2.	Vertical End Cap-Top	580-2286	10	580-2286	12	580-2286	14	580-2286	16	580-2286	18	580-2286	21
3.	Vertical End Cap-Bottom	580-1949	10	580-1949	12	580-1949	14	580-1949	16	580-1949	18	580-1949	21
4.	Stabilizer Rail, small dia.	583-1012	6	583-1012	8	583-1012	9	583-1004	10	583-1004	11	583-1004	13
5.	Stabilizer Rail, large dia.	583-1011	6	583-1011	8	583-1011	9	583-1005	10	583-1005	11	583-1005	13
6.	Bottom Rail	589-1046	10	589-1047	12	589-1048	14	589-1049	16	589-1050	18	589-1051	21
7.	6" Outer Connector	580-1886	10	580-1886	12	580-1886	14	580-1886	16	580-1886	18	580-1886	21
8.	Outer Connector Bracket	580-2128	10	580-2128	12	580-2128	14	580-2128	16	580-2128	18	580-2128	21
9.	Inner Connector	5186-1205	10	5186-1205	12	5186-1205	14	5186-1205	16	5186-1205	18	5186-1205	21
10.	Machine Screw, 10-24 x 1/2"	510-1008	10	510-1008	12	510-1008	14	510-1008	16	510-1008	18	510-1008	21
11.	Square Nut, 10-24	321-1025	10	321-1025	12	321-1025	14	321-1025	16	321-1025	18	321-1025	21
*12.	Sheet Metal Screw-#10 x 1/2", Hexwasher Head, Type AB	330-1127	100	330-1127	120	330-1127	140	330-1127	160	330-1127	180	330-1127	210
13.	Pool Parts List	573-3567	1	573-3567	1	573-3567	1	573-3567	1	573-3567	1	573-3567	1
14.	Pool Installation Instructions	573-3190	1	573-3190	1	573-3190	1	573-3190	1	573-3190	1	573-3190	1
15.	"Read Me First" Booklet	573-3169	1	573-3169	1	573-3169	1	573-3169	1	573-3169	1	573-3169	1
16.	—	—	—	—	—	—	—	—	—	—	—	—	—
17.	—	—	—	—	—	—	—	—	—	—	—	—	—
18.	—	—	—	—	—	—	—	—	—	—	—	—	—
19.	—	—	—	—	—	—	—	—	—	—	—	—	—
20.	Warranty Card - Metal	—	1	—	1	—	1	—	1	—	1	—	1
21.	—	—	—	—	—	—	—	—	—	—	—	—	—
	VERTICAL PACK	0-9710-613	1	0-9712-613	1	0-9714-613	1	0-9716-613	1	0-9718-613	1	0-9721-613	1
22.	Vertical	580-2185	10	580-2185	12	580-2185	14	580-2185	16	580-2185	18	580-2185	21
	TOP RAIL PACK	0-9801-614	1	0-9812-614	1	0-9814-614	1	0-9816-614	1	0-9818-614	1	0-9821-614	1
23.	Top Rail	587-1691	10	587-1692	12	587-1692	14	587-1692	16	587-1692	18	587-1692	21
	POOL LINER CARTON												
***24.	Pool Liner	0-12_ _ _	1	0-16_ _ _	1	0-18_ _ _	1	0-21_ _ _	1	0-24_ _ _	1	0-28_ _ _	1
25.	Chlorine/Winterizing Instructions	573-2421	1	573-2421	1	573-2421	1	573-2421	1	573-2421	1	573-2421	1
26.	Installation Instruction Insert	369-1145	1	369-1145	1	369-1145	1	369-1145	1	369-1145	1	369-1145	1
27.	"Warning" Decal	560-1041	3	560-1041	3	560-1041	3	560-1041	3	560-1041	3	560-1041	3
****28.	"Deeper" Area Decal	560-1042	2	2560-1042	2	2560-1042	2	2560-1042	2	2560-1042	2	2560-1042	2
2	Warranty Card-Liner	—	—	—	1	—	1	—	1	—	1	—	1
29.	"Shallow" Decal, 3-1/2 ft.	560-1043	3	560-1043	3	560-1043	3	560-1043	3	560-1043	3	560-1043	3
**31.	Repair Patch	564-1000	1	564-1000	1	564-1000	1	564-1000	1	564-1000	1	564-1000	1
32.	"Read Me First" Booklet	573-3169	1	573-3169	1	573-3169	1	573-3169	1	573-3169	1	573-3169	1
	SIDEWALL CARTON											0-0011-028	1
33.	Sidewall	0-0011-012	1	0-0011-016	1	0-0011-018	1	0-0011-021	1	0-0011-024	1	580-1002	1
34.	Joint Piece	580-1002	1	580-1002	1	580-1002	1	580-1002	1	580-1002	1	560-1046	1
35.	"Warning" Sign	560-1046	1	560-1046	1	560-1046	1	560-1046	1	560-1046	1	573-3169	1
36.	"Read Me First" Booklet	573-3169	1	573-3169	1	573-3169	1	573-3169	1	573-3169	1	310-1034	6
37.	Adhesive Squares	310-1034	6	310-1034	6	310-1034	6	310-1034	6	310-1034	6	573-3498	1
38.	Safety Video	573-3498	1	573-3498	1	573-3498	1	573-3498	1	573-3498	1	573-3498	1

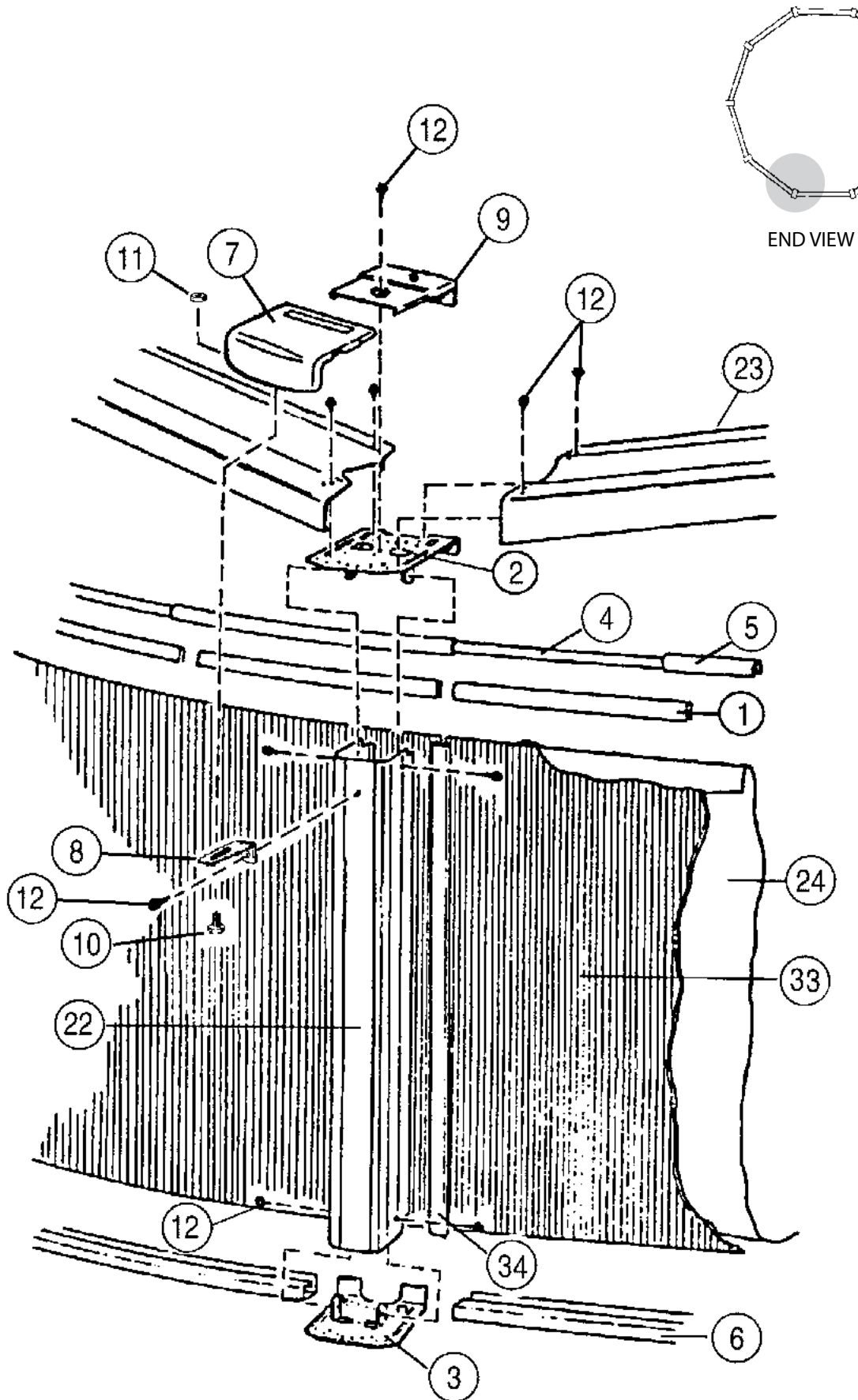
\*Screws are available in most hardware stores.

\*\*For additional patch kits order Part No. 0-5604-000.

\*\*\*Write the number of your liner in the spaces provided here and above # \_\_\_\_\_

\*\*\*\* Used only for pools with deep swimming areas.

EXPLODED VIEW





**Important!** Above-ground pools are designed for swimming and wading only. Do not Dive or Jump! Misuse of your pool may result in crippling injury and/or other dangers to life and health. Do not use slides, diving boards, or any other platform or object which can be used for improper pool entry. Use only an above-ground swimming pool ladder or entry system to enter or exit your pool. Never attempt to swim or reach behind ladders or any other pool entry system. It is the pool owner's responsibility to secure the pool against unauthorized, unsupervised or unintentional entry. It is also the pool owner's responsibility to warn all pool users of the hazards of diving into shallow water: paralyzing injury may result. Always obey all safety rules. Remember, pool safety is everybody's responsibility.

Safety decals and caution information provided with your pool have been endorsed by the U.S. Consumer Product Safety Commission. It is mandatory that the pool owner and installer follow the installation and use directions for all provided safety signs and decals. Juveniles must be supervised at all times by a responsible adult as directed by the USCPSC.

Change of Design: Doughboy Recreational expressly reserves the right to change or modify the design and construction of any product in due course of their manufacturing procedures, without incurring any obligation to furnish or install such changes or modifications on products previously or subsequently sold.



DOUGHBOY RECREATIONAL • 315 N. Sebastian St. • WEST HELENA, AR 72390

Visit our website at [www.doughboy-pools.com](http://www.doughboy-pools.com)



# SUMMERVILLE

## 52 Inch Tall Round Pools

---

### Parts List



# SUMMERVILLE 52" Round Pool — Parts List

ITEM #	DESCRIPTION	12' x 52"		16' x 52"		18' x 52"		21' x 52"		24' x 52"		28' x 52"	
		PART #	QTY.	PART #	QTY.	PART #	QTY.	PART #	QTY.	PART #	QTY.	PART #	QTY.
	ASSEMBLY PACK	0-9912-613	1	0-9916-613	1	0-9918-613	1	0-9921-613	1	0-9924-613	1	0-9928-613	1
1.	Plastic Coping, 24"	545-1001	22	545-1001	28	545-1001	30	545-1001	35	545-1001	40	545-1001	46
2.	Vertical End Cap-Top	580-2286	10	580-2286	12	580-2286	14	580-2286	16	580-2286	18	580-2286	21
3.	Vertical End Cap-Bottom	580-1949	10	580-1949	12	580-1949	14	580-1949	16	580-1949	18	580-1949	21
4.	Stabilizer Rail, small dia.	583-1012	6	583-1012	8	583-1012	9	583-1004	10	583-1004	11	583-1004	13
5.	Stabilizer Rail, large dia.	583-1011	6	583-1011	8	583-1011	9	583-1005	10	583-1005	11	583-1005	13
6.	Bottom Rail	589-1046	10	589-1047	12	589-1048	14	589-1049	16	589-1050	18	589-1051	21
7.	6" Outer Connector	580-1886	10	580-1886	12	580-1886	14	580-1886	16	580-1886	18	580-1886	21
8.	Outer Connector Bracket	580-2128	10	580-2128	12	580-2128	14	580-2128	16	580-2128	18	580-2128	21
9.	Inner Connector	5186-1205	10	5186-1205	12	5186-1205	14	5186-1205	16	5186-1205	18	5186-1205	21
10.	Machine Screw, 10-24 x 1/2"	510-1008	10	510-1008	12	510-1008	14	510-1008	16	510-1008	18	510-1008	21
11.	Square Nut, 10-24	321-1025	10	321-1025	12	321-1025	14	321-1025	16	321-1025	18	321-1025	21
*12.	Sheet Metal Screw-#10 x 1/2", Hexwasher Head, Type AB	330-1127	100	330-1127	120	330-1127	140	330-1127	160	330-1127	180	330-1127	210
13.	Pool Parts List	573-3568	1	573-3568	1	573-3568	1	573-3568	1	573-3568	1	573-3568	1
14.	Pool Installation Instructions	573-3190	1	573-3190	1	573-3190	1	573-3190	1	573-3190	1	573-3190	1
15.	"Read Me First" Booklet	573-3169	1	573-3169	1	573-3169	1	573-3169	1	573-3169	1	573-3169	1
16.	—	—	—	—	—	—	—	—	—	—	—	—	—
17.	—	—	—	—	—	—	—	—	—	—	—	—	—
18.	—	—	—	—	—	—	—	—	—	—	—	—	—
19.	—	—	—	—	—	—	—	—	—	—	—	—	—
20.	Warranty Card - Metal	—	1	—	1	—	1	—	1	—	1	—	1
21.	—	—	—	—	—	—	—	—	—	—	—	—	—
	VERTICAL PACK	0-9710-611	1	0-9712-611	1	0-9714-611	1	0-9716-611	1	0-9718-611	1	0-9721-611	1
22.	Vertical	580-2162	10	580-2162	12	580-2162	14	580-2162	16	580-2162	18	580-2162	21
	TOP RAIL PACK	0-9801-614	1	0-9812-614	1	0-9814-614	1	0-9816-614	1	0-9818-614	1	0-9821-614	1
23.	Top Rail	587-1691	10	587-1692	12	587-1692	14	587-1692	16	587-1692	18	587-1692	21
	POOL LINER CARTON												
***24.	Pool Liner	0-12 - _	1	0-16 - _	1	0-18 - _	1	0-21 - _	1	0-24 - _	1	0-28 - _	1
25.	Chlorine/Winterizing Instructions	573-2421	1	573-2421	1	573-2421	1	573-2421	1	573-2421	1	573-2421	1
26.	Installation Instruction Insert	369-1145	1	369-1145	1	369-1145	1	369-1145	1	369-1145	1	369-1145	1
27.	"Warning" Decal	560-1041	3	560-1041	3	560-1041	3	560-1041	3	560-1041	3	560-1041	3
****28.	"Deeper" Area Decal	560-1042	2	2560-1042	2	2560-1042	2	2560-1042	2	2560-1042	2	2560-1042	2
2	Warranty Card-Liner	—	—	—	1	—	1	—	1	—	1	—	1
29.	"Shallow" Decal, 3-1/2 ft.	560-1043	3	560-1043	3	560-1043	3	560-1043	3	560-1043	3	560-1043	3
**31.	Repair Patch	564-1000	1	564-1000	1	564-1000	1	564-1000	1	564-1000	1	564-1000	1
32.	"Read Me First" Booklet	573-3169	1	573-3169	1	573-3169	1	573-3169	1	573-3169	1	573-3169	1
	SIDEWALL CARTON											0-0012-028	1
33.	Sidewall	0-0012-012	1	0-0012-016	1	0-0012-018	1	0-0012-021	1	0-0012-024	1	580-1914	1
34.	Joint Piece	580-1914	1	580-1914	1	580-1914	1	580-1914	1	580-1914	1	560-1046	1
35.	"Warning" Sign	560-1046	1	560-1046	1	560-1046	1	560-1046	1	560-1046	1	573-3169	1
36.	"Read Me First" Booklet	573-3169	1	573-3169	1	573-3169	1	573-3169	1	573-3169	1	310-1034	6
37.	Adhesive Squares	310-1034	6	310-1034	6	310-1034	6	310-1034	6	310-1034	6	573-3498	1
38.	Safety Video	573-3498	1	573-3498	1	573-3498	1	573-3498	1	573-3498	1	573-3498	1

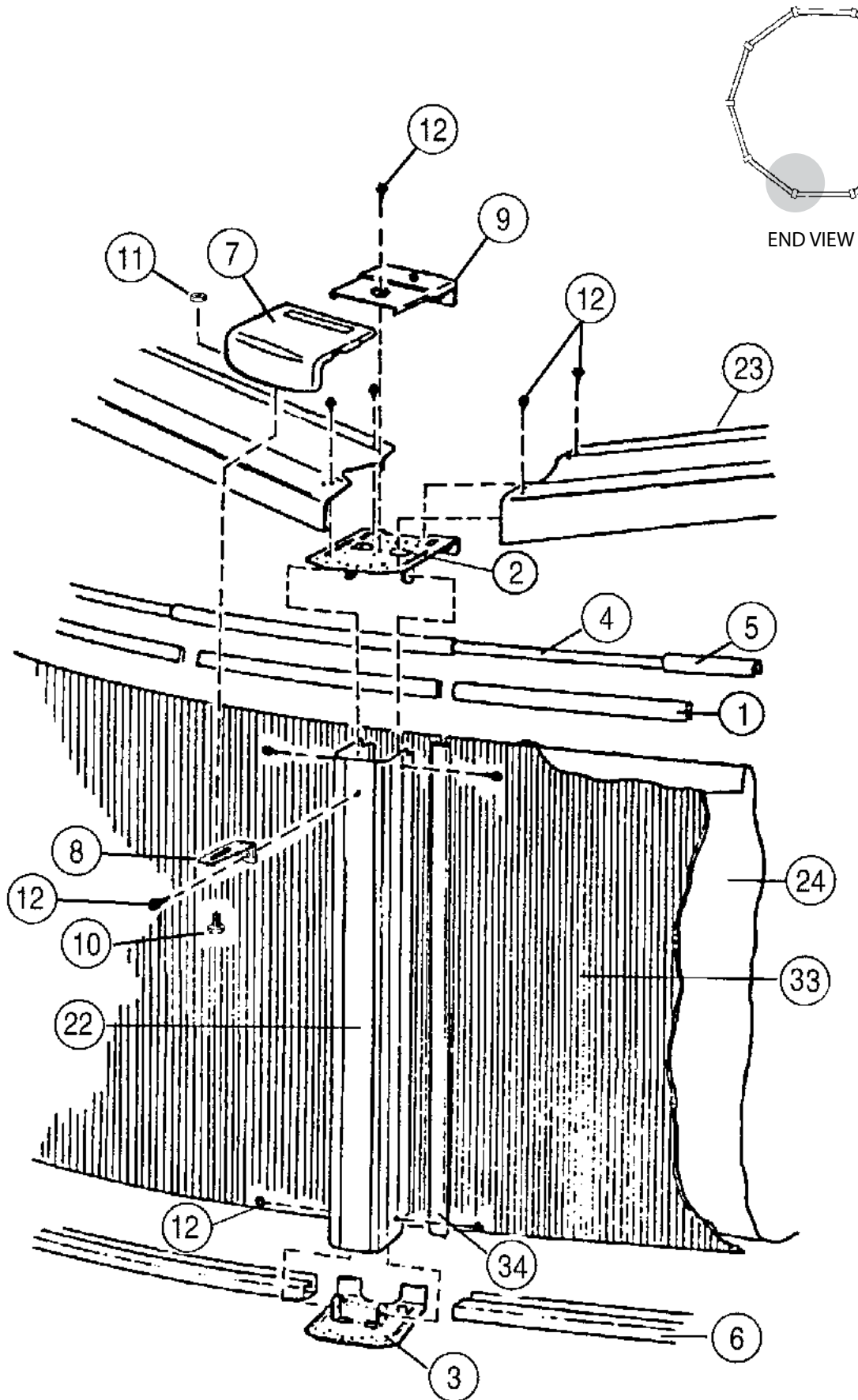
\*Screws are available in most hardware stores.

\*\*For additional patch kits order Part No. 0-5604-000.

\*\*\*Write the number of your liner in the spaces provided here and above # \_\_\_\_\_

\*\*\*\* Used only for pools with deep swimming areas.

EXPLODED VIEW







**Important!** Above-ground pools are designed for swimming and wading only. Do not Dive or Jump! Misuse of your pool may result in crippling injury and/or other dangers to life and health. Do not use slides, diving boards, or any other platform or object which can be used for improper pool entry. Use only an above-ground swimming pool ladder or entry system to enter or exit your pool. Never attempt to swim or reach behind ladders or any other pool entry system. It is the pool owner's responsibility to secure the pool against unauthorized, unsupervised or unintentional entry. It is also the pool owner's responsibility to warn all pool users of the hazards of diving into shallow water: paralyzing injury may result. Always obey all safety rules. Remember, pool safety is everybody's responsibility.

Safety decals and caution information provided with your pool have been endorsed by the U.S. Consumer Product Safety Commission. It is mandatory that the pool owner and installer follow the installation and use directions for all provided safety signs and decals. Juveniles must be supervised at all times by a responsible adult as directed by the USCPSC.

Change of Design: Doughboy Recreational expressly reserves the right to change or modify the design and construction of any product in due course of their manufacturing procedures, without incurring any obligation to furnish or install such changes or modifications on products previously or subsequently sold.



DOUGHBOY RECREATIONAL • 315 N. Sebastian St. • WEST HELENA, AR 72390  
Visit our website at [www.doughboy-pools.com](http://www.doughboy-pools.com)