

COASTAL

Round Pools

Installation Instructions

Installation Instructions

HOW TO USE THESE INSTRUCTIONS

Be sure to read these instructions completely before beginning assembly or installation.

This installation sheet covers an assortment of round pools. Use your pool parts list to identify your pool parts, then read these instructions and follow the assembly steps that pertain to your pool assembly.

H.I.I. cannot be responsible for damage caused by careless or improper assembly or installation. Your warranty is void if pool assembly and installation instructions are not followed exactly, or if the pool design is altered in any way.

Contracted Installation

H.I.I. is not affiliated with any professional pool installers and can assume no responsibility for installation mistakes made by the professional installer or the homeowner. If the pool is installed by others, please supervise and make sure the installation complies with proper installation techniques as shown.

Change of Design

H.I.I. expressly reserves the right to change or modify the design and construction of any product in due course of our manufacturing procedures, without incurring any obligation or liability to furnish or install such changes or modifications on products previously or subsequently sold.

CAUTIONS

1. Do not attempt to install pool wall on windy days. An unsupported pool wall can easily blow down and may cause damage to the pool frame, pool wall, or may cause personal injury.
2. When assembling your pool, keep parts not currently used in an area out of the way. Disassembled parts are easily tripped over and may be damaged or cause personal injury.
3. Do not attempt to lift heavy boxes by

yourself. To reduce the possibility of personal injury, have someone help you move heavy boxes (pool wall, liner, etc.).

WARNINGS

1. Your pool must be level within 1" all around. An unlevel pool may cause excessive stress on pool frame. This may result in pool failure which could cause serious personal injury.
2. Your pool must be on undisturbed soil. Backfilled soil, sudden slopes within 6 feet, or water run off may undermine or cause pool foundation to shift. This could cause pool failure and may cause serious personal injury.
3. To reduce the risk of severe electrical shock, always have a qualified electrician install a ground fault circuit interrupter (G.F.C.I.). Always plug pool accessories into a G.F.C.I. protected receptacle.
4. Always install the Warning Decals and Warning Sign. The decals and sign are designed to remind you, your friends and loved ones that your pool is to be used for swimming and wading only. Do not allow any form of horse play in or around the pool. Failure to follow this warning can lead to severe personal injury. Read the "Safety First" booklet.
5. Do not use common sand for pool cove. Common sand can easily erode and allow pool liner to rupture which may cause pool failure or personal injury.
6. Secure your pool when not in use. Ladders and gates should be secured to reduce the possibility of unauthorized entry and possible serious accidents.
7. Always repair liner leaks. Continued leakage between pool wall and liner may cause wall damage which eventually may result in pool wall failure. This could result in serious personal injury.
8. To reduce the risk of possible electrical shock, never install your pool under overhead wires.

9. Do not alter pool as pool failure may result and cause serious bodily injury. Your warranty is void if the pool is altered.

10. Do not bury pool or warranty is void (See warranty card).

11. Do not install a diving board, pool slide or any other recreational accessories for use in diving, sliding or jumping into your pool.

Local Codes

Check to see if building permits or utility clearances are required. Comply with safety codes regarding fencing and all electrical codes.

BEFORE YOU START

1. Check prevailing winds. The skimmer should be downwind to aid in removing pool surface debris.

2. Pump and filter location. Allow room to service your pool equipment.

3. Do not install your pool liner on top of anything abrasive. Installing your liner on top of abrasives such as concrete, asphalt, peat moss, tar paper, gravel, or wood could puncture your liner.

4. Do not install your pool liner on top of grass or tree roots. They may grow up through your liner.

5. Do not install your pool on soil that has recently been treated with **petroleum based chemicals**. Some soil treatment chemicals may destroy your pool liner. Consult your pool dealer.

6. Treat the ground inside the pool area with a **non-petroleum based** fungicide (available at garden supply shops). This may help prevent liner staining caused by fungus. Consult your pool dealer.

7. Rid pool area of burrowing pests and insects such as gophers and termites. They can cause liner damage.

8. Locate a convenient electrical outlet for filter and pump. Always have a qualified electrician install a ground fault circuit interrupter (See Warnings).

9. Check wall clearances. Be sure you have enough room to work around your pool (18" Minimum).

10. Avoid overhanging eaves. Prevent water running off of roof and carrying debris into your pool.

11. Avoid overhanging branches. Prevent leaves and tree branches from falling into your pool.

12. Avoid sun reflection into residence in order to prevent glare into house.

13. Keep sprinklers away from pool to avoid pool damage.

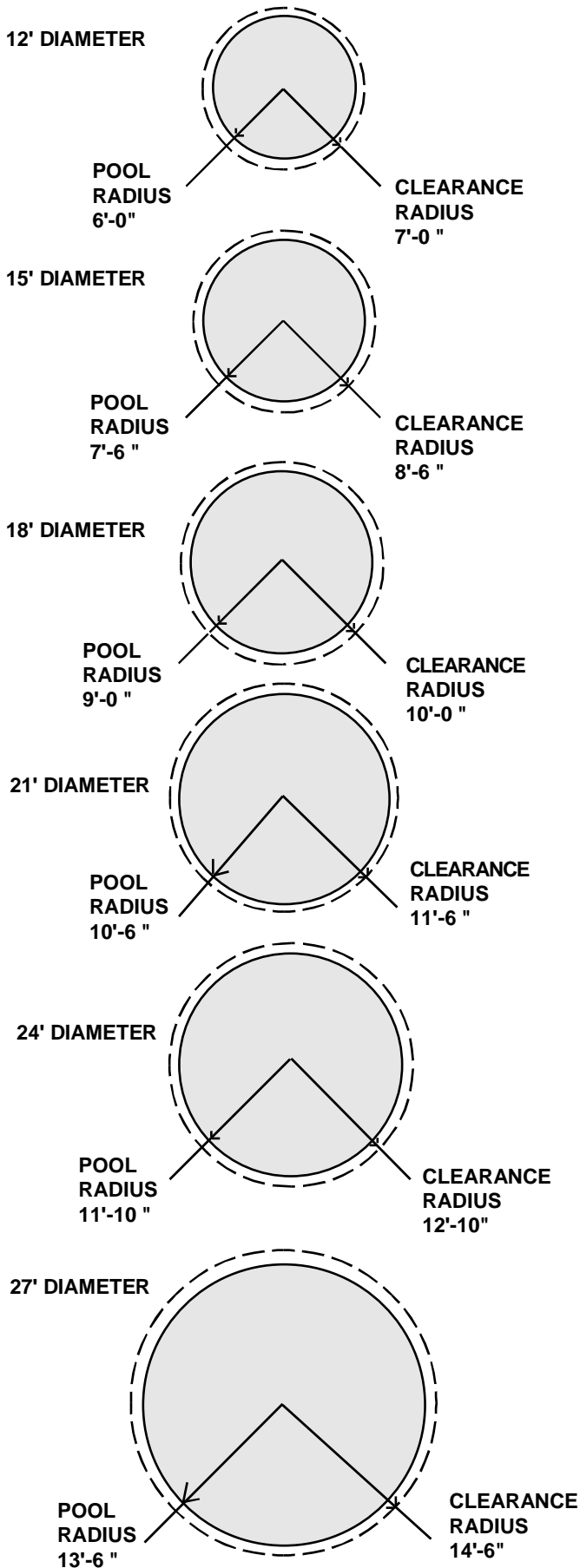
14. Do not install pool under overhead wires (See Warnings).

15. Be able to view children playing around pool. Secure your pool when not in use (See Warnings Pg.s 2 &3).

TOOLS AND MATERIALS:

1. Non-Stretch Twine (Approximately 20 feet)
2. Garden Rake
3. Nail — 2-1/2" Long
4. Wooden Stake (18" Long)
5. Duct Tape
6. 2" x 4" Board equal in length to the pool clearance radius plus 6 inches (See "Pool Layout Dimensions")
7. Sifting Screen (to remove 1/8" pebbles)
8. 2" x 8" x 12" Patio Blocks. One per Vertical
9. Spring Type Clothespins (Bag of 50)
10. Carpenter's Level
11. Carpenter's Saw
12. Flat End Shovel
13. Screwdrivers (Standard)
14. 25' Tape Measure
15. Hammer
16. Tamping Tool or Roller
17. One or more 5/16" Nut Drivers
18. Sharp Knife or Razor Knife
19. Black Felt Pen
20. Transit (See Step 3)

POOL LAYOUT DIMENSIONS



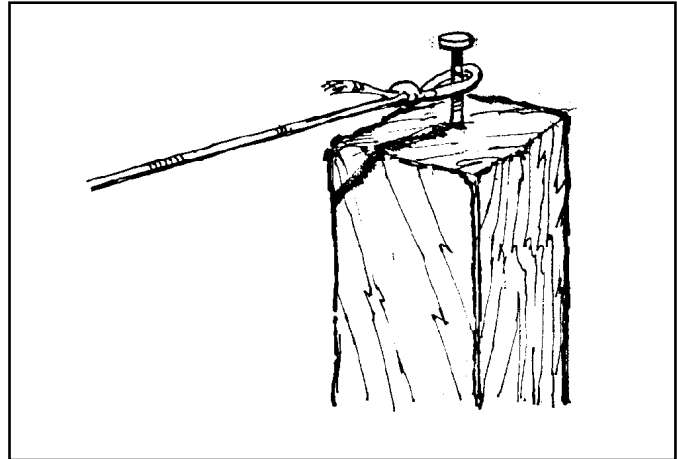
SITE PREPARATION

A level pool area is a vital part of your pool construction. Avoid possible disassembly later by taking your time and making sure the pool area is leveled properly.

WARNING

An unlevelled area may cause excessive stress on the pool's wall and framework, and may result in pool failure. See Warnings. Refer to "Pool Layout Dimensions" for your pool diameter.

Step 1...



Stake the center of the pool area. Drive a 2 1/2" long nail into top of stake as shown. Tie a loop in one end of a piece of twine at least 12" longer than your pool clearance radius. Slip loop over exposed head of nail in center stake as shown.

Step 2...

Using the center stake twine and a tape measure, measure out to your pool clearance radius (see Pool Layout Dimensions). Tie a sharpened stick or screwdriver to the twine at the point of your pool clearance radius. Work around the pool area to mark your pool clearance radius. Remove all sod within the clearance radius. This sod may be saved for future landscaping needs.

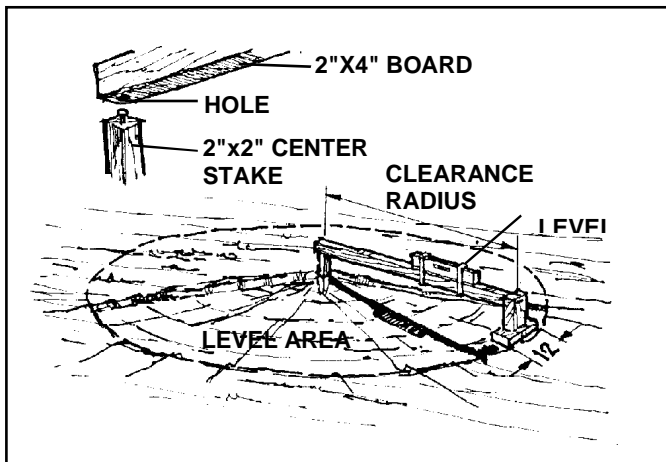
Step 3...

WARNING

Your pool must be level. See Warnings pg.s 2 & 3.

Your pool must be on undisturbed soil. See Warnings pg.s 2 & 3.

Using a transit to level pool is preferred; however, when using this method, professional assistance is recommended.



A homemade leveling device can be made:

1. Determine correct length of a 2" x 4" board. (2" x 4" length is clearance radius plus 6".)
2. Drill a clearance hole (3/8" diameter) in 2" x 4" board to fit over nail head. See Step 1.
3. Construct an upside down "T" with a base approx. 12" long and nail to opposite end of 2" x 4" as shown in above figure.
4. Secure carpenter's level to top of long 2" x 4" with tape or twine as shown.

Pivot leveling device around your pool radius checking for high or low areas. If the bubble in the leveling device is toward the outside of the pool, you've reached a high area. If the bubble in the leveling device is toward the inside of pool, you've reached a low area. Begin leveling at lowest point and work your way around the pool radius until the area inside the clearance radius is level. Always level to the lowest point, never fill in low spots.

Step 4...

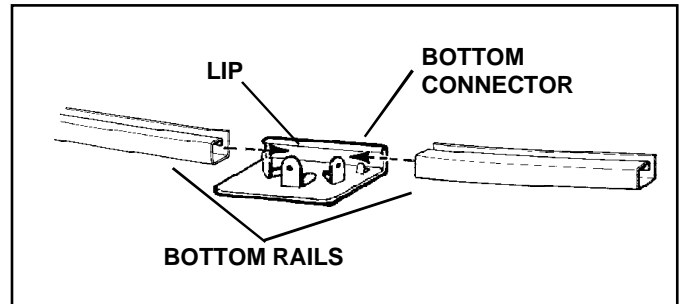
Once level, rake to smooth out pool and clearance area. Clear away rocks, stones, sticks, or any other sharp objects which may puncture your pool liner.

Note: Begin clearing in the center and work your way out. Do not remove center stake.

ASSEMBLY

Step 5..

Mark out pool radius on leveled area. Begin constructing bottom framework by evenly spacing the bottom connectors around pool radius. Next, lay out bottom rails between bottom connectors.



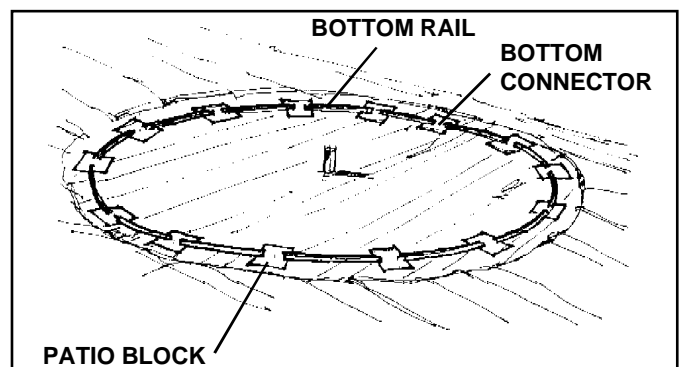
The bottom rails slide under the lip of the bottom connector. **The ends of the bottom rails will have a gap of approx 1/4" to 1/2" between them.** Do not bend or distort bottom rails. Keep rails free of dirt.

Once bottom frame is assembled, use center stake and twine and make sure bottom framework is centered around center stake. Adjust framework until all points are the same distance from center stake.

PATIO BLOCK INSTALLATION

Step 6...

Use bottom connectors as a guide. Place patio blocks under bottom connectors. Patio blocks should be centered under bottom connectors, and should not extend more than 3" into the pool area beyond the wall location. The patio blocks will serve as your pool foundation. Use a pointed tool or object to mark around patio block for position. After patio block positions have been marked, remove pool framework in sections and set aside.



CAUTION

To avoid tripping and accidental burial of parts, Move parts out of your way.

Move patio blocks back out of your way. Use a shovel to dig away soil in the marked locations to the depth of the patio blocks.

The patio block must be set into solid, undisturbed earth. The surface of each block must be flush with ground level and not have any movement. Use carpenter's level to level each block. Use transit or homemade leveling device to make sure all patio blocks are level to each other.

POOL COVING MATERIALS

Step 7...

WARNING

Do not use common sand for pool cove. See Warnings.

You may wish to use preformed pool coving. (See your Local dealer for the proper type)

If you are not going to use preformed pool coving, you should sift the earth you are intending to use. The coving earth must pass through a 1/8" mesh screen and be free of pebbles, stones, sticks or any objects that could puncture your pool liner. You will need approximately 1 cubic foot of sifted earth for each 1-1/2 feet of pool diameter. If used, place sifted earth for coving inside your pool diameter.

Step 8...

Reinstall bottom framework. Make sure the bottom connectors are located on the leveled patio blocks. Recheck for roundness. See Step 5.

NOTE: If you are planning to install a main-drain, refer to those instructions at this time.

Step 9...

From this point you will need approximately

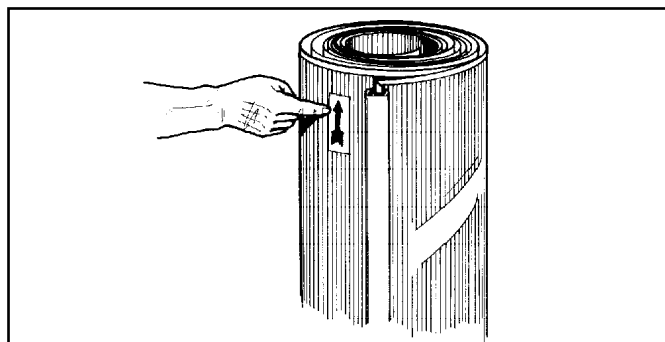
8 to 10 uninterrupted working hours. It is essential that your pool assembly be completed through Step 24 before stopping. Never leave an unfilled pool standing unattended. It could easily fall causing pool wall and frame damage.

CAUTION

Do not install pool wall on windy days. See Cautions pg. 2.

Do not attempt to lift heavy boxes by yourself. See Cautions pg. 2. You will need the help of friends before continuing.

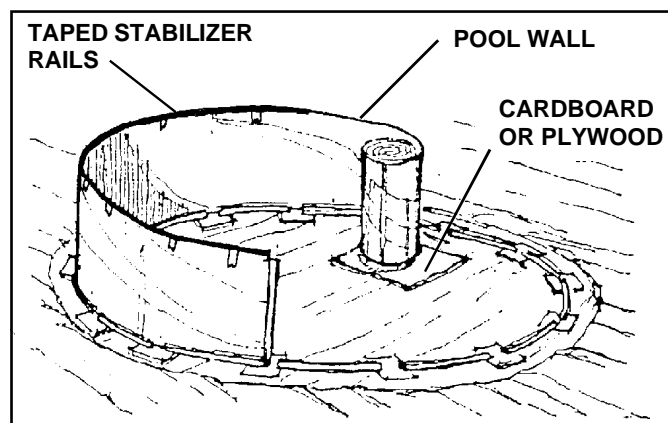
Step 10...



CAUTION

Place wall carton inside pool frame close to the planned skimmer location. Turn the wall carton upside down, open bottom of carton, turn rightside up and lift off over wall. The Up Arrow label should be pointing up as shown. If arrow is not pointing up, turn wall over.

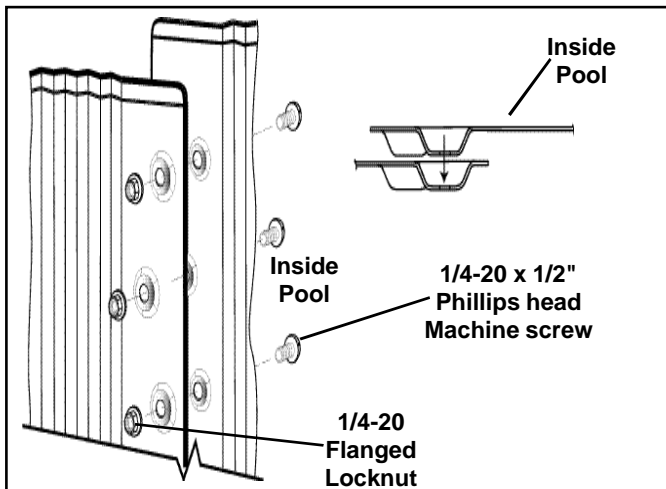
Step 11...



You will need some friends to assist in wall installation.

Keep hands and feet from under the pool wall during installation. Determine starting point of the wall with respect to the desired skimmer location. When the wall ends are secured, the skimmer will be located approximately 10' to the right. The skimmer opening will be at the inside end of the coil. To aid skimming performance, position skimmer knockout downwind of prevailing winds. Always start wall in the center of a bottom connector. Uncoil about 6' to 10' of wall and insert bottom edge into groove of bottom rails. Be careful not to bend bottom edge of wall. Set wall into the bottom rail and rotate the coil on the bottom of carton or plywood. As you work around the wall, temporarily install the interlocking stabilizer rails to help support the wall. Tape the stabilizer rails to the top of the wall as you work your way around the bottom framework as shown.

Step 12...



Bring wall ends together in center of bottom connector. If wall ends do not meet, adjust all bottom rails in or out uniformly as required. Do not make the total adjustment with one or two bottom rails. Remove stabilizer rails in the areas above the pool wall ends.

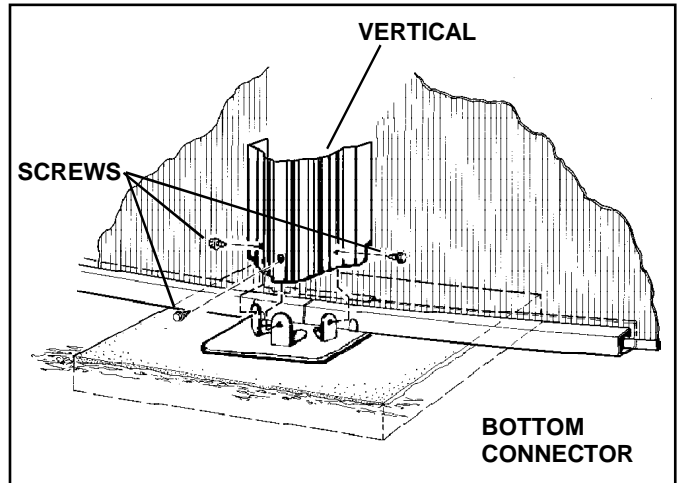
Overlap and align holes on wall ends and attach using hardware supplied. Insert 1/2" long screws with the screw head to the inside of the wall. Loosely attach all the screws and nuts first, then tighten them securely. File off any sharp burrs on the screw heads, then place the wall protective strip over the screws and secure with duct tape. Lomart Industries cannot assume responsibility for performance of this product if the joint has been improperly attached. When wall is bolted together, reinstall stabilizer rails.

Recheck pool roundness.

Measure from center stake to pool wall, adjust pool wall until all distances are equal. Be careful not to damage bottom rails.

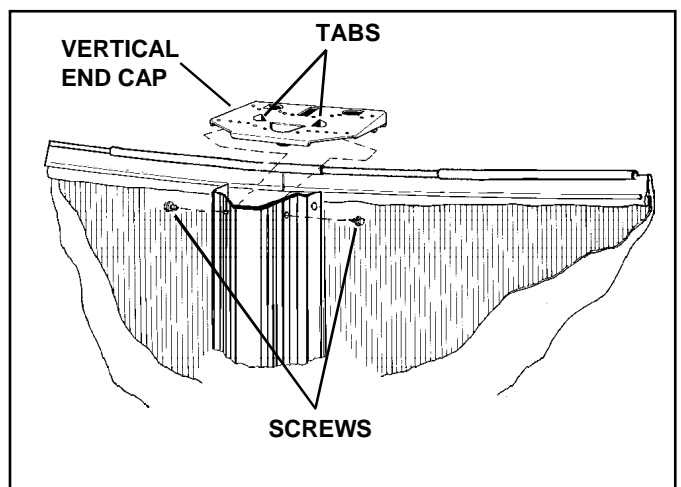
Step 13...

Install verticals onto bottom connectors using the screws provided.



Step 14...

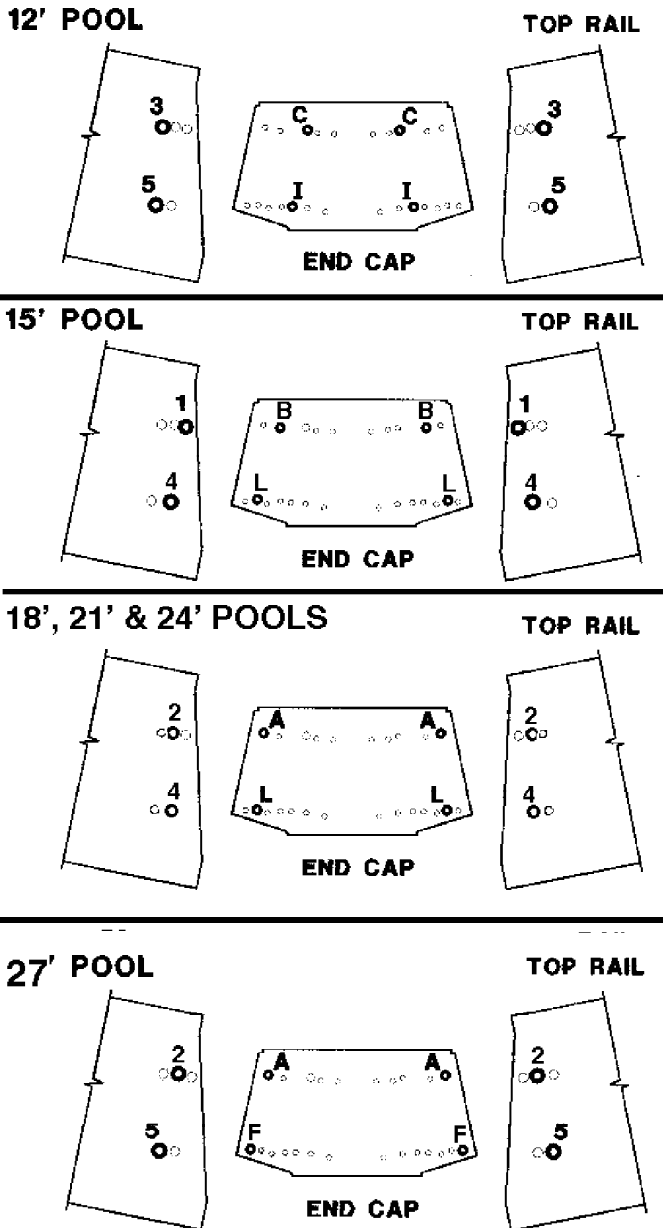
To install the vertical end caps to the verticals, position vertical end cap over vertical and insert tabs on vertical end cap between vertical sides and secure with two screws as shown. If you have the new style vertical end caps, they will fit over the stabilizer also.



HOLE PATTERNS FOR FASTENING TOP RAILS TO END CAPS

Step 15...

Each pool size has a specific hole pattern for mounting the top rails to the end caps. Select the figure that pertains to your pool size.

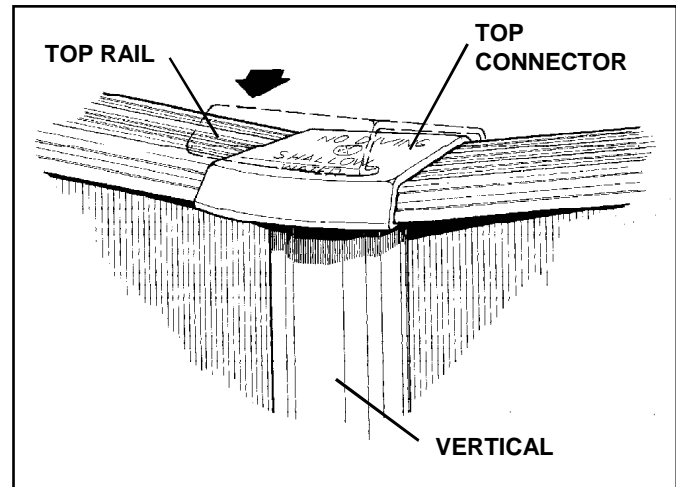


Attach the top rails to the end cap using four (4) 3/8" long sheet metal screws.

Helpful Suggestion: Use a felt pen to mark all proper holes before attaching.

Step 16...

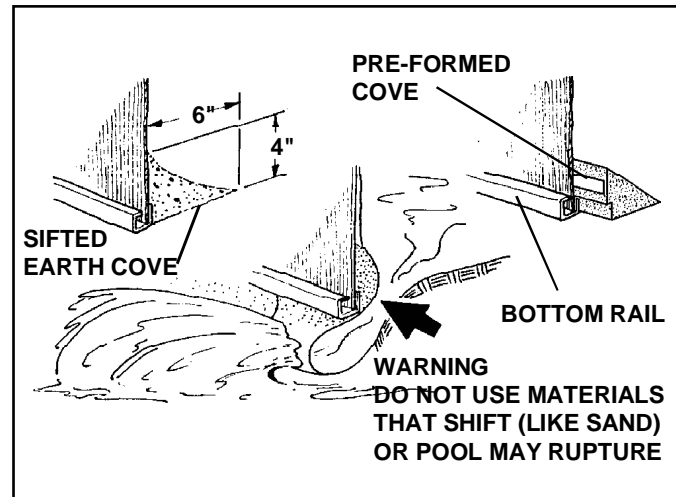
Center top connector over vertical. Hook rear of top connector firmly under the top rails inside pool. Swing top connector down over the vertical end cap and push down firmly until the connector snaps in place as shown. Repeat this step for each vertical.



Step 17..

Remove pool liner from carton. Slightly loosen liner coil and allow sun to warm it. This will allow liner to become more pliable and easier to install.

Step 18...



If pre-formed pool cove is to be used, install it at this time. Be sure to follow manufacturer's

directions. If sifted earth is to be used, build and compact the cove as shown. The cove is an important structural element which prevents water pressure from forcing the pool liner out under the bottom rails. H.I.I. will not assume responsibility if common sand is used or cove is omitted.

When cove construction is completed remove center stake and rake pool floor smooth.

LINER INSTALLATION

Step 19...

Check the pool floor (area inside pool wall) for levelness. Remove all stones and sharp objects that could puncture your liner. Fill in any footprints and slight depressions with sifted earth and tamp. If you have been using a ladder for access over the pool wall, remove it at this time.

You will need some friends to help to install your liner. Place liner on top of top rail. Standing outside the pool, hold the liner end and unroll it down the center of the pool, as you would a carpet. With textured side of the liner up, carefully pull the liner over the top rails as shown.

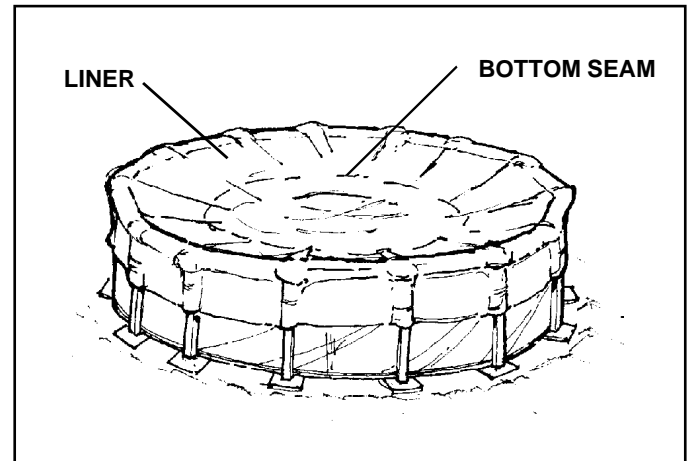
Note: Do not allow vertical side seam in liner wall to lay over skimmer or return fitting opening locations. If it does, the gaskets for these accessories may not seal properly.

Note: The center of liner will barely touch the ground in the center of the pool only. Using caution not to cut liner, secure to the outside bottom edge of top rails with spring type clothes pins (at least three clothes pins per top rail).

Step 20...

Start filling pool with water. As the liner fills, it will be necessary to gradually release the liner into the pool. Work evenly around the pool releasing just enough liner to ease tension from the top connectors. Adjust liner evenly, all the way around the pool. When properly installed the bottom seam will be approximately midway up the cove. Continue filling until water is 24" up

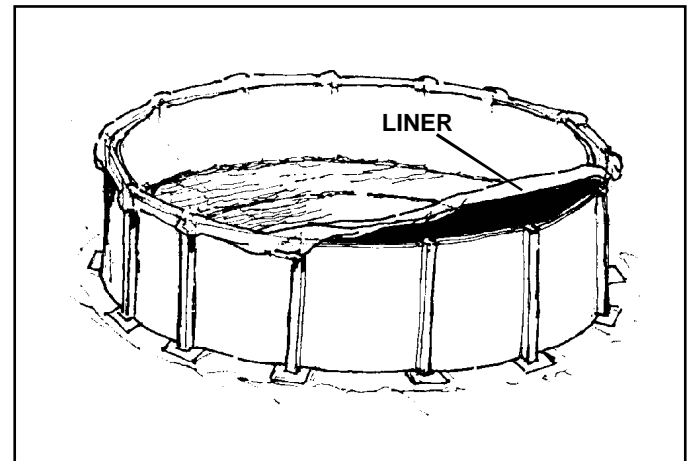
the wall then stop filling. (Using 3 or 4 hoses will speed up this process.)



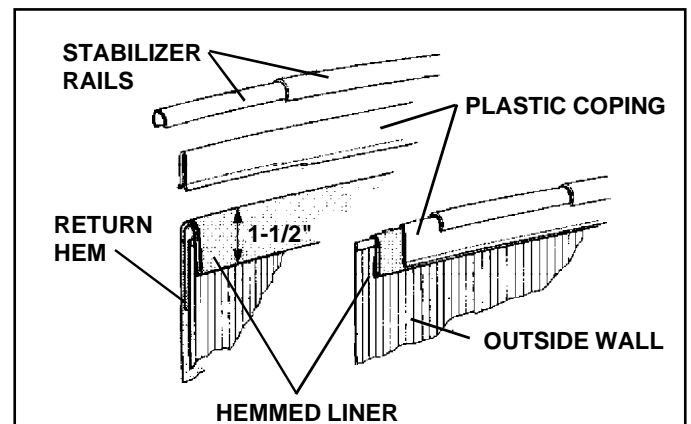
Step 21...

Pull liner back as shown. Be careful not to let liner fall back into pool.

Remove four (4) top connectors and three (3) top rails. Remove previously installed stabilizer rails.



Step 22...



Pull liner up and over pool wall. Make a hem along the top edge of the liner. Pull hem back over the top edge of the pool wall as shown so it hangs over top edge of pool wall by about 2". Install plastic coping by pushing it all the way down to overlap pool wall and liner as shown. Make sure the plastic coping is butted end to end. Install enough coping to cover two top rail lengths centered where you removed the top rails in Step 21. Install interlocking stabilizer rails over the plastic coping as before in step 11 (this time do not tape).

Reinstall the center top rail of the three removed in Step 22. Working your way around pool, remove the next top connector, top rail, and stabilizers. Pull liner over the pool wall in new working area. Install coping and stabilizer rails as described above. Reinstall a top rail next to the previously reinstalled top rail. Continue working your way completely around pool in this manner. In some pools you may find the last piece of plastic coping is too long. If so, cut it to fit. Do not overlap ends. Be careful not to cut liner. Reinstall last top rail and all top connectors.

Step 24...

Do not finish filling pool until you install your pool pump, filter, pool return and additional accessories. Refer to all other pool equipment owner's guides for special instructions. If no other equipment is to be installed, finish filling your pool to 6" from top rail. Consult with your dealer for the proper chemicals and water treatment recommended.

CLEANING

Pool parts are easily cleaned with a mild liquid soap and a soft cloth. Do not use abrasive cleaning pads, or cleaners containing abrasives

as they may scratch or dull the surface appearance.

SAFETY LITERATURE

Now that you have installed your new pool, you can look forward to many years of fun and enjoyment. However, your pool is also a big responsibility. For this reason, we have provided you with an assortment of safety literature. **Please take the time to read and understand all the safety literature provided.**

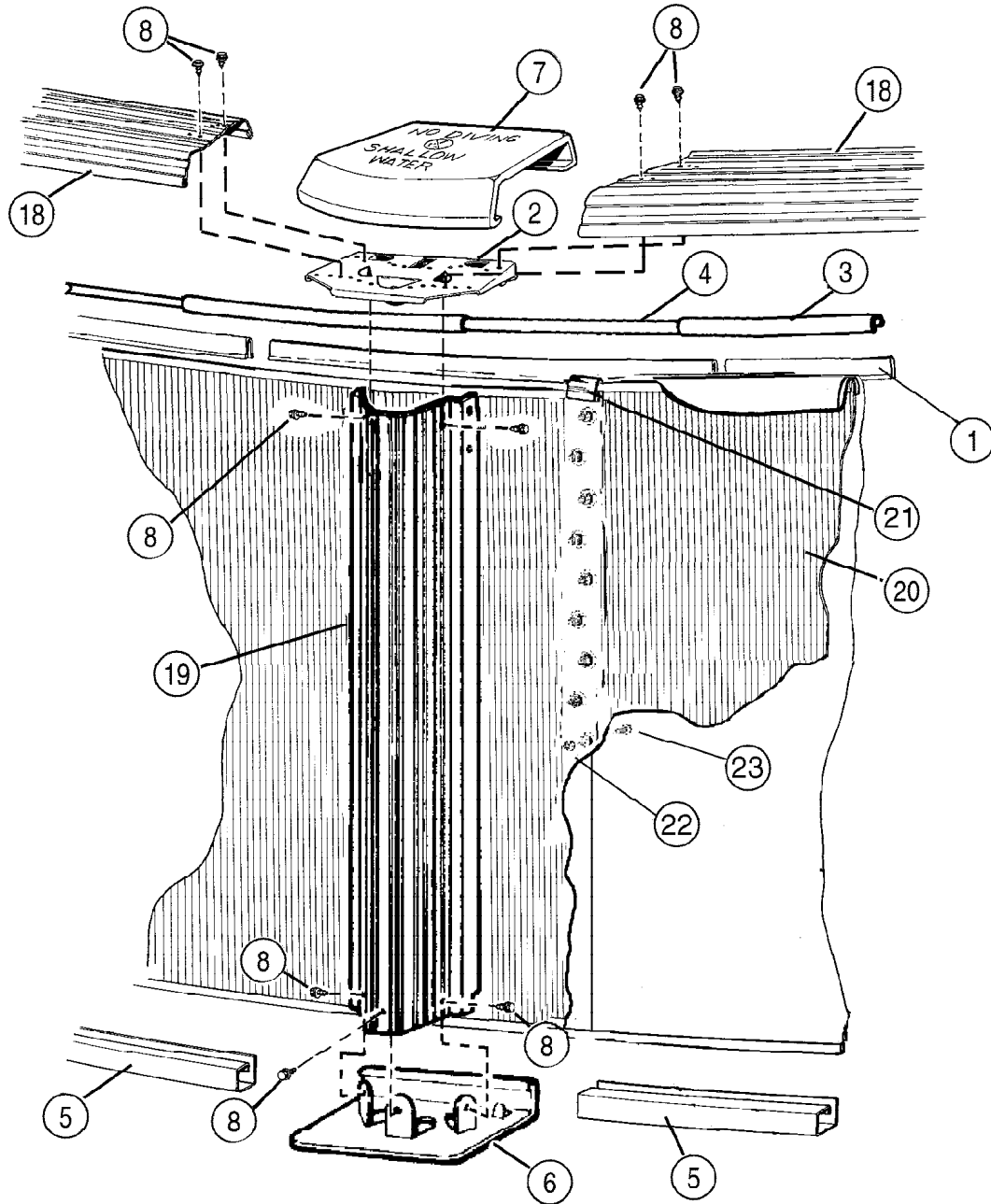
You have also been given an assortment of signs and decals. Refer to your "Safety First" booklet for detailed instructions of where and how to apply them. Remember, warnings only help if you put them up. Please help us protect the good health and safety of your family and friends! Read the "Safety First" booklet through completely and follow the directions in it.

If any of your safety literature, signs or decals become lost or damaged, you can get more free by contacting the Customer Service Department:

H.I.I.
315 N. Sebastian St.
West Helena, AR 72390

IMPORTANT: Above-ground pools are designed for swimming and wading only. Diving or Jumping is product mis-use. **DO NOT DIVE OR JUMP!** Use only an above-ground swimming pool ladder to enter or exit your pool. Do not use slides, diving boards, or any other platform or object which can be used for improper pool entry! **It is your responsibility to secure your pool against unauthorized, unsupervised, or unintentional entry. Remember, pool mis-use can result in severe injury and/or other dangers to life and health.** Always obey and enforce all safety rules.

EXPLODED POOL SECTION



PARTS LIST

See your Pool Parts List Booklet for a complete parts listing

- | | |
|--------------------------------|---|
| 1. Plastic Coping | 8. #10 x 1/2" Sheet Metal Screw |
| 2. Vertical End Cap | 18. Top Rail |
| 3. Stabilizer Rail, large dia. | 19. Vertical |
| 4. Stabilizer Rail, small dia. | 20. Sidewall |
| 5. Bottom Rail | 21. Wall protective strip |
| 6. Bottom Connector | 22. 1/4-20 Flanged Locknut |
| 7. Top Connector | 23. 1/4-2- x 1/2" Phillips head machine screw |



Important! Above-ground pools are designed for swimming and wading only. **Do not Dive or Jump!** Misuse of your pool may result in crippling injury and/or other dangers to life and health. Do not use slides, diving boards, or any other platform or object which can be used for improper pool entry. Use only an above-ground swimming pool ladder or entry system to enter or exit your pool. **Never attempt to swim or reach behind ladders or any other pool entry system.** It is the pool owner's responsibility to secure the pool against unauthorized, unsupervised or unintentional entry. It is also the pool owner's responsibility to warn all pool users of the hazards of diving into shallow water: paralyzing injury may result. Always obey all safety rules. Remember, pool safety is everybody's responsibility.

Safety decals and caution information provided with your pool have been endorsed by the U.S. Consumer Product Safety Commission. It is mandatory that the pool owner and installer follow the installation and use directions for all provided safety signs and decals. Juveniles must be supervised at all times by a responsible adult as directed by the USCPSC.

Change of Design: The manufacturer expressly reserves the right to change or modify the design and construction of any product in due course of their manufacturing procedures, without incurring any obligation to furnish or install such changes or modifications on products previously or subsequently sold.