

Quick Fist Weapon Clamp



Butt and Forend mount



Butt and Barrel Mount

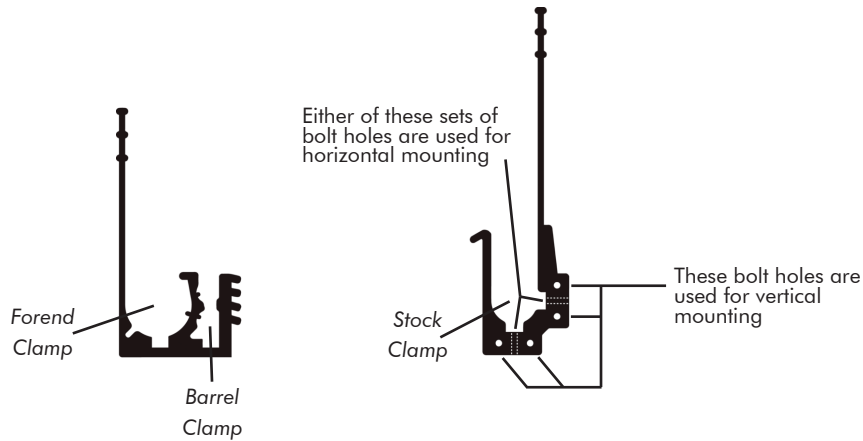


Butt and Forend Mount

Installation:

- Both clamps should be installed with 1/4" bolts, washers (under the bolt head) and nuts (not provided).
- One way to install Quick Fist Clamps is to use rivet nuts, which allow you to rivet a nut into a "blind" hole (i.e. a hole where it is difficult to attach a nut).
- The clamp which holds the Butt should be installed first. It can be installed with the strap on either side of the weapon. Then install the forend or barrel clamp.

Note: The Forend Clamp must be mounted with bolts to effectively hold a barrel. Trying it in your hand will not work, as the base must be flat to obtain a tight grip around the barrel.



Quick Fist Weapon Clamp



Butt and Forend mount



Butt and Barrel Mount



Butt and Forend Mount

Installation:

- Both clamps should be installed with 1/4" bolts, washers (under the bolt head) and nuts (not provided).
- One way to install Quick Fist Clamps is to use rivet nuts, which allow you to rivet a nut into a "blind" hole (i.e. a hole where it is difficult to attach a nut).
- The clamp which holds the Butt should be installed first. It can be installed with the strap on either side of the weapon. Then install the forend or barrel clamp.

Note: The Forend Clamp must be mounted with bolts to effectively hold a barrel. Trying it in your hand will not work, as the base must be flat to obtain a tight grip around the barrel.

