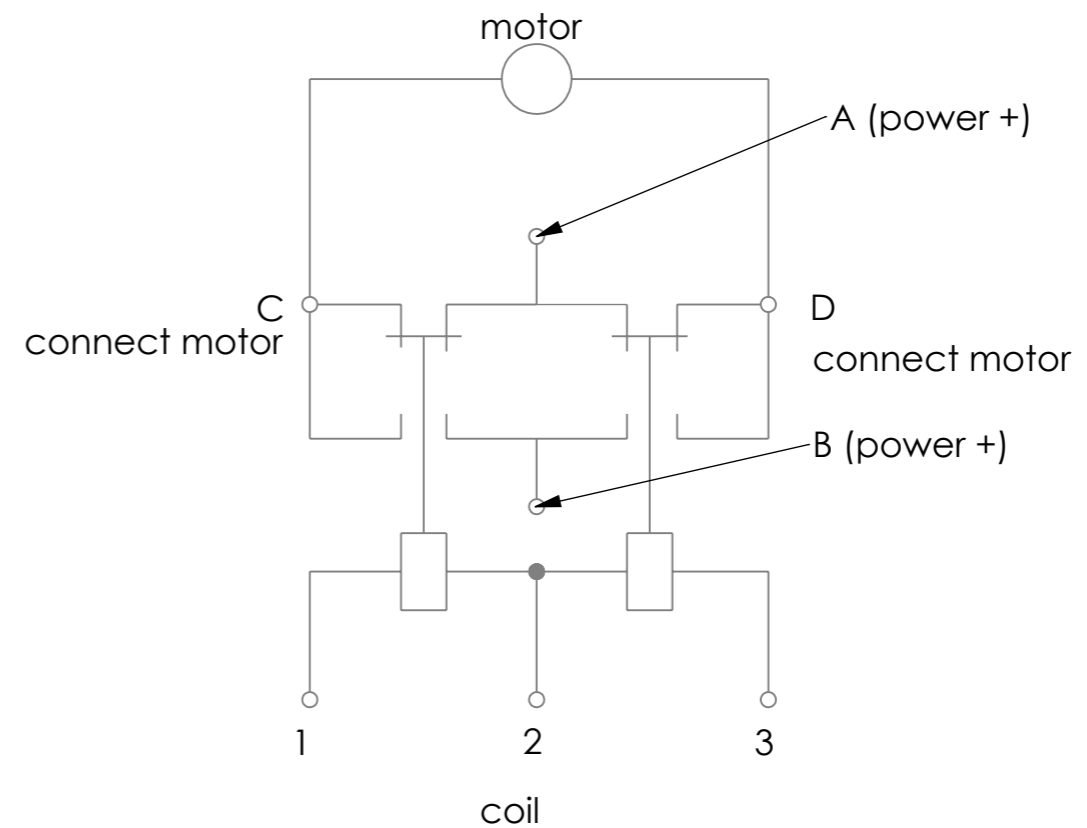
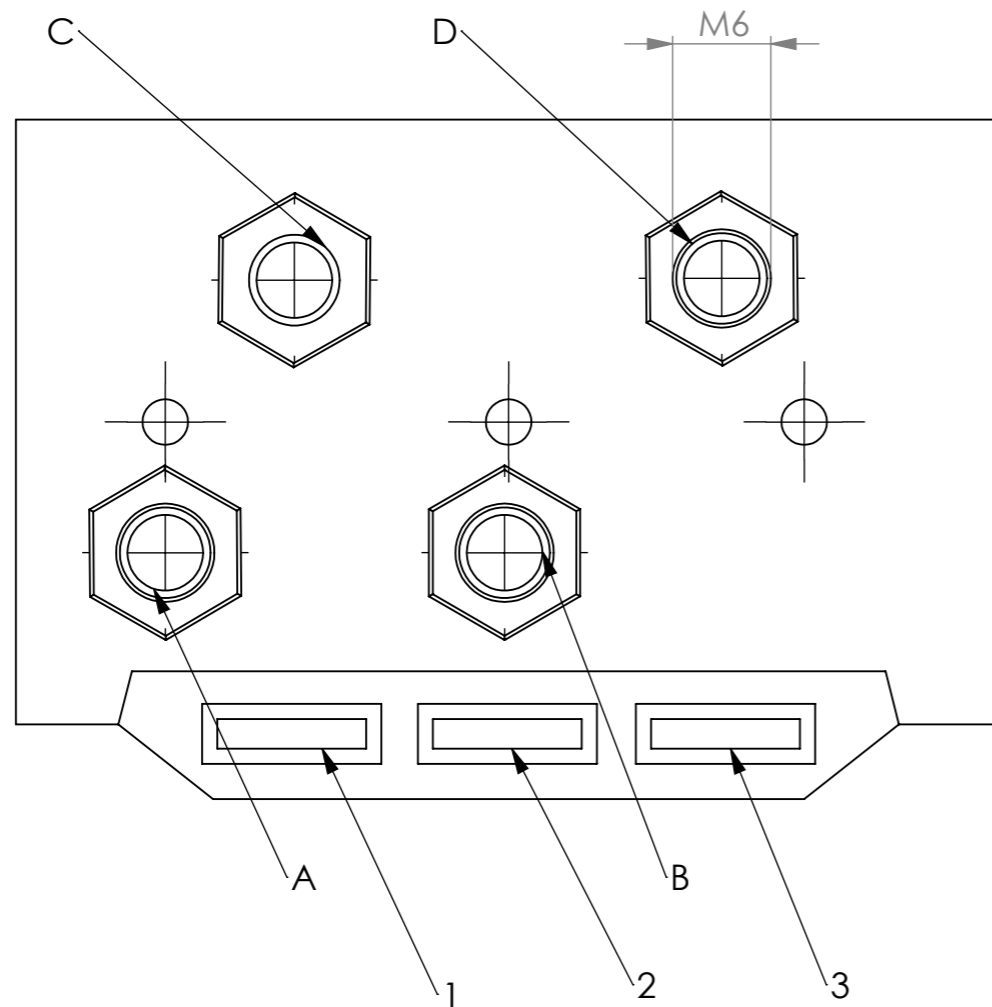


# horntools®

**Name:** Electric winch relay  
**SKU:** H0051-24V\_200



### Technical Data

**Model No.:** H0051-24V\_200  
**Power consumption:** 16 W  
**Contact Arrangement:** 2PDT  
**Contact Material:** AgCdO  
**Contact Rating (at Resistive Load):** 200A 24VDC  
**Contact circuit rated load current:** continuous 50A, DE Short work interrupted 200A  
**Contact Resistance:** Max. 50mΩ (initial)  
**Insulation Resistance:** Min. 100mΩ at 500VDC  
**Puncture (volt) Strength:** 1000 VAC 50Hz / 60 Hz (1 minute)  
**Operate Time:** Max. 50mSec  
**Release Time:** Max. 50mSec  
**Working Temperature:** -25°C / +40°C