



Assembly Instructions

Riley Hopkins[®]

**SINGLE STATION & MULTI-STATION TABLETOP
PRESS CART WITH SCREEN RACK**



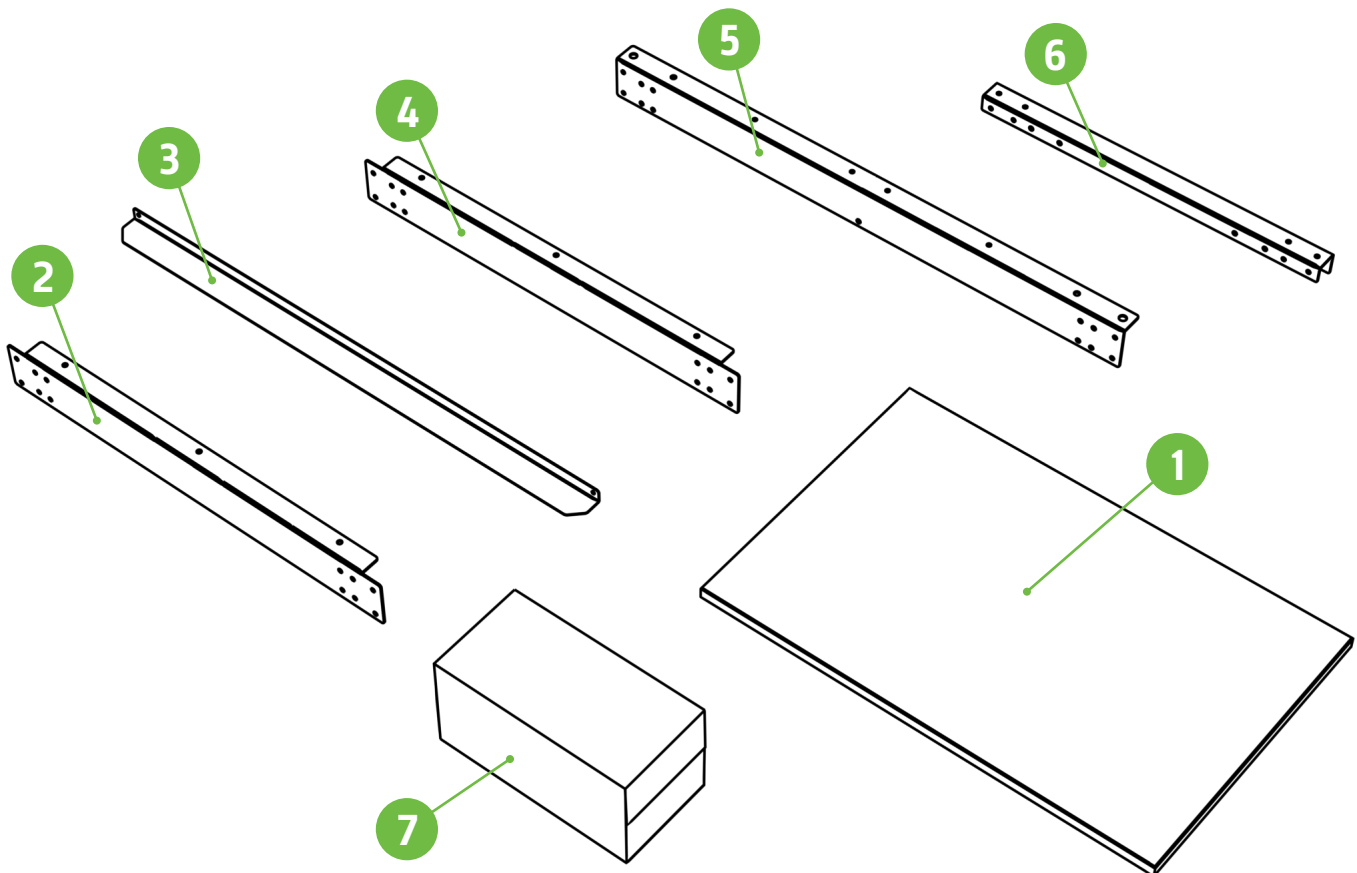
Tools Required:

• 7/16" Wrench • Large pliers or crescent wrench • Phillips screwdriver • Tape measure

What's in the box

TAG	ITEM	QTY.
1	PRESS CART TOP PANEL	2
2	FRONT TOP AND BOTTOM CROSS BARS	4
3	SCREEN HOLDING SLATS (SINGLE-STATION/MULTI-STATION)	(20/16)
4	UPPER-SIDE CROSS BARS	2
5	LOWER-SIDE CROSS BARS (THREADED)	2
6	CART UPRIGHTS	4
7	HARDWARE KIT - BOX	1

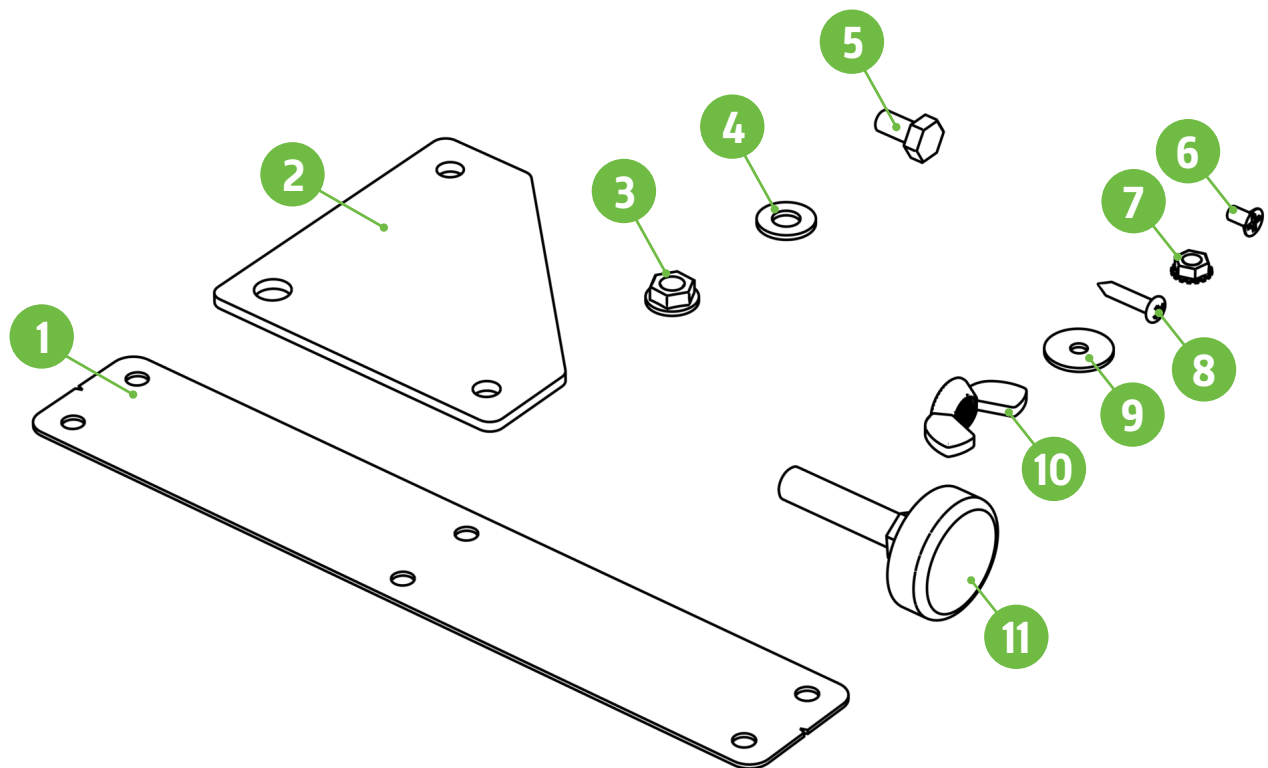
IMPORTANT: BE SURE ALL PARTS ARE ENCLOSED BEFORE ASSEMBLING.



What's in the hardware kit box

TAG	ITEM	DESCRIPTION	QTY.
1	MFLS-RHCRTPLT	PRESS CART TABLETOP CONNECTION PLATE	1
2	MFZC-RHCRTGST	LOWER CART CORNER GUSSETS	4
3	PRHD-FLN1/4NCGR5ZC	1/4" FLANGED NUT	24
4	PRHD-WA1/4USSGR5ZC	1/4" USS FLAT WASHER	32
5	PRHD-HC1/4NC1/2GR5ZC	1/4" X 1/2" HEX CAP SCREW	40
6	PRHD-LF3/8NC1 1/2GR5ZC	3/8" STEM LEVELING FOOT	4
7	PRHD-WINGNT3/8NC	3/8-16 WING NUT	4
8	PRHD-FDRWA3/16X3/4	3/16" X 3/4" FENDER WASHER	24
9	PRHD-SCW8X3/4PAN	#8 X 3/4" PHILLIPS PAN SCREW	24
10	PRHD-KN#8NF	#8-32 KEPS NUT	40
11	PRHD-SCM#8NF5/16PH	#8-32 X 5/16 FLAT SCREW	40

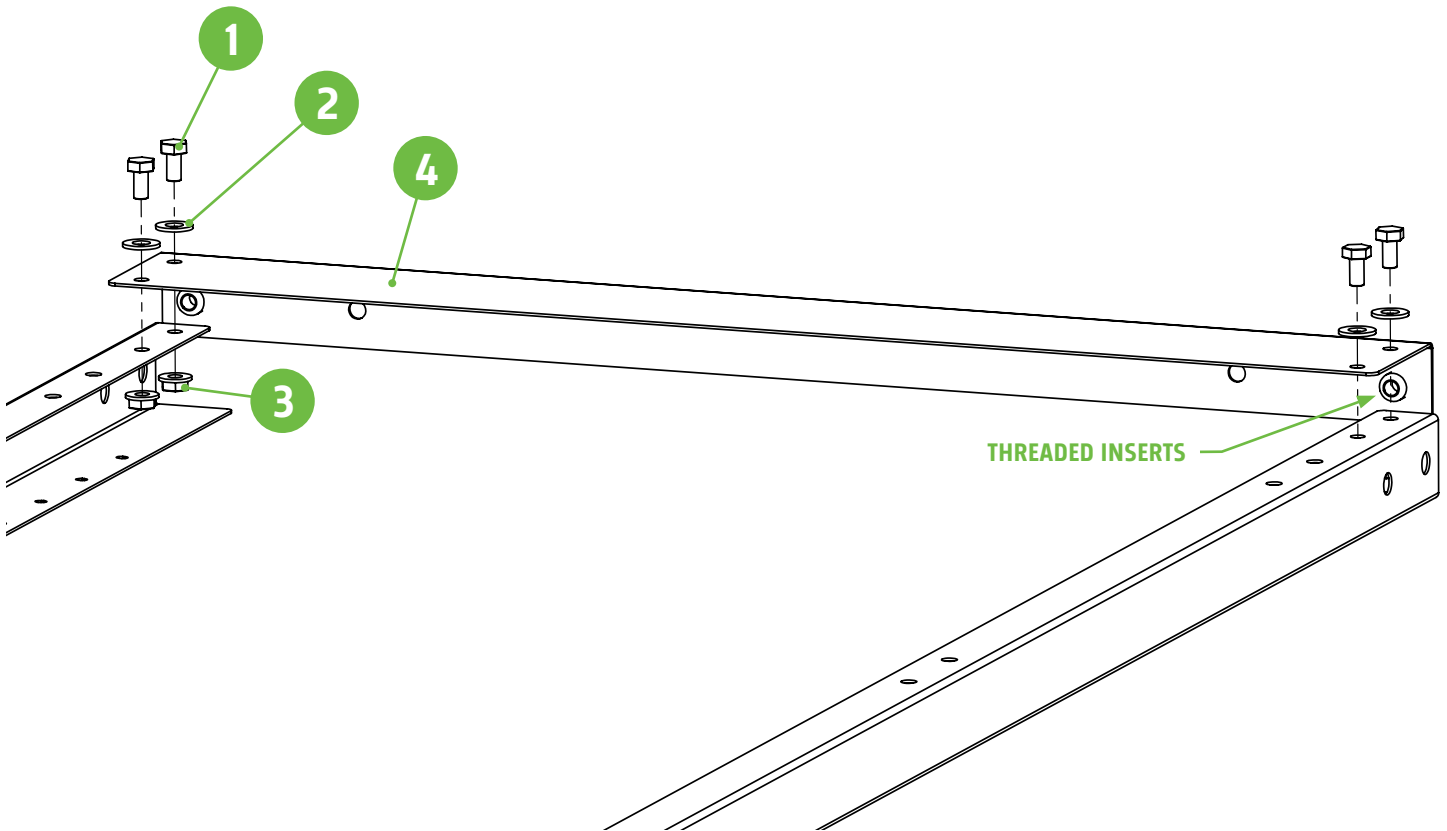
IMPORTANT: BE SURE ALL PARTS ARE ENCLOSED BEFORE ASSEMBLING.



Step 1

TAG	ITEM	DESCRIPTION	QTY.
1	PRHD-HC1/4NC1/2GR5ZC	1/4" X 1/2" HEX CAP SCREW	4
2	PRHD-WA1/4USSGR5ZC	1/4" USS FLAT WASHER	4
3	PRHD-FLN1/4NCGR5ZC	1/4" FLANGED NUT	4
4	MFPD-RHCRTSID	RH CART SIDE PANEL (THREADED)	1

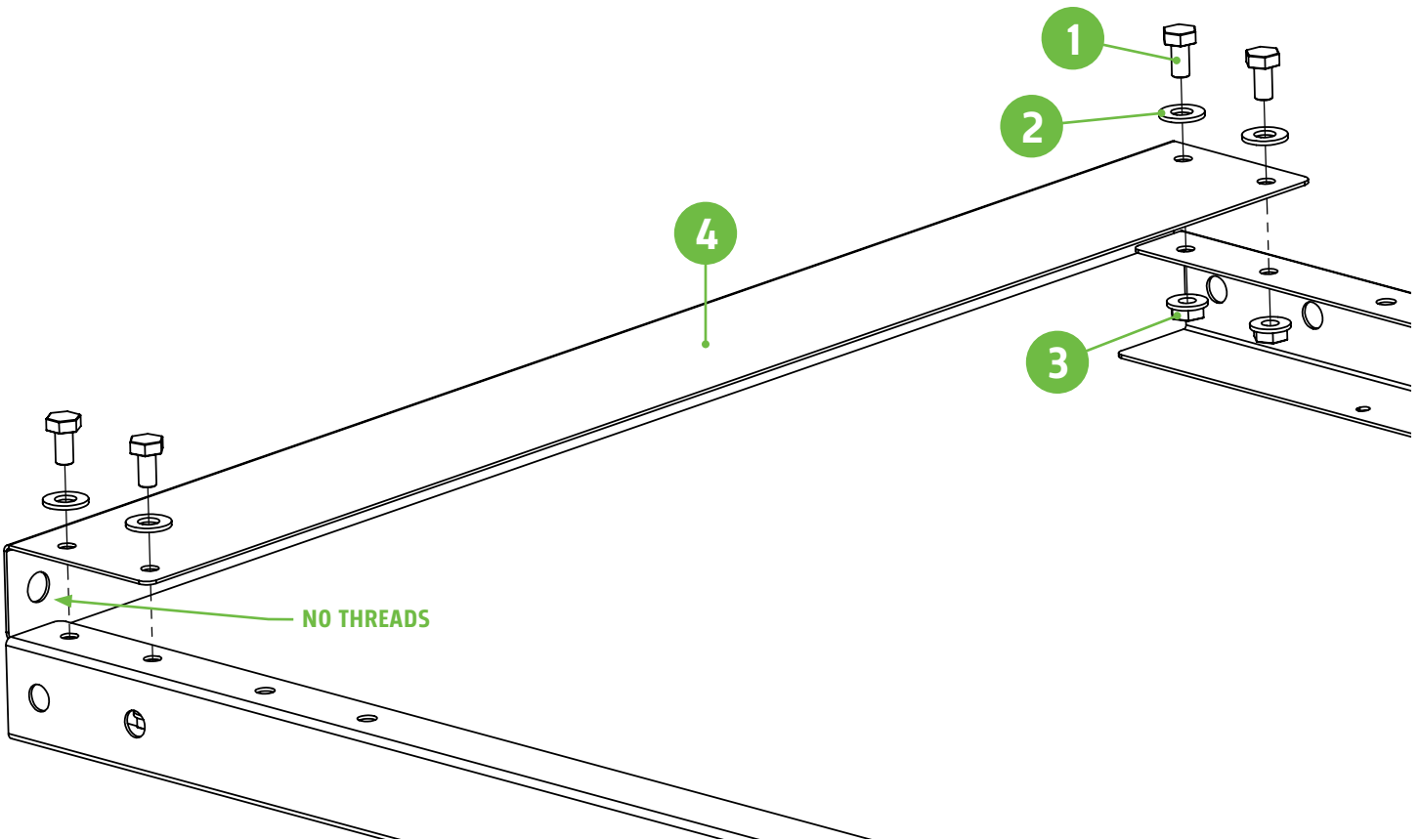
Attach the lower side crossbars to the uprights in the four mounting points shown below. Ensure that you are attaching the crossbar that has the threaded inserts at this step. The uprights can be installed on both the left- and right-hand sides.



Step 2

TAG	ITEM	DESCRIPTION	QTY.
1	PRHD-HC1/4NC1/2GR5ZC	1/4" X 1/2" HEX CAP SCREW	4
2	PRHD-WA1/4USSGR5ZC	1/4" USS FLAT WASHER	4
3	PRHD-FLN1/4NCGR5ZC	1/4" FLANGED NUT	4
4	MFPD-RHCRTSID	RH CART SIDE PANEL (NO THREADS)	1

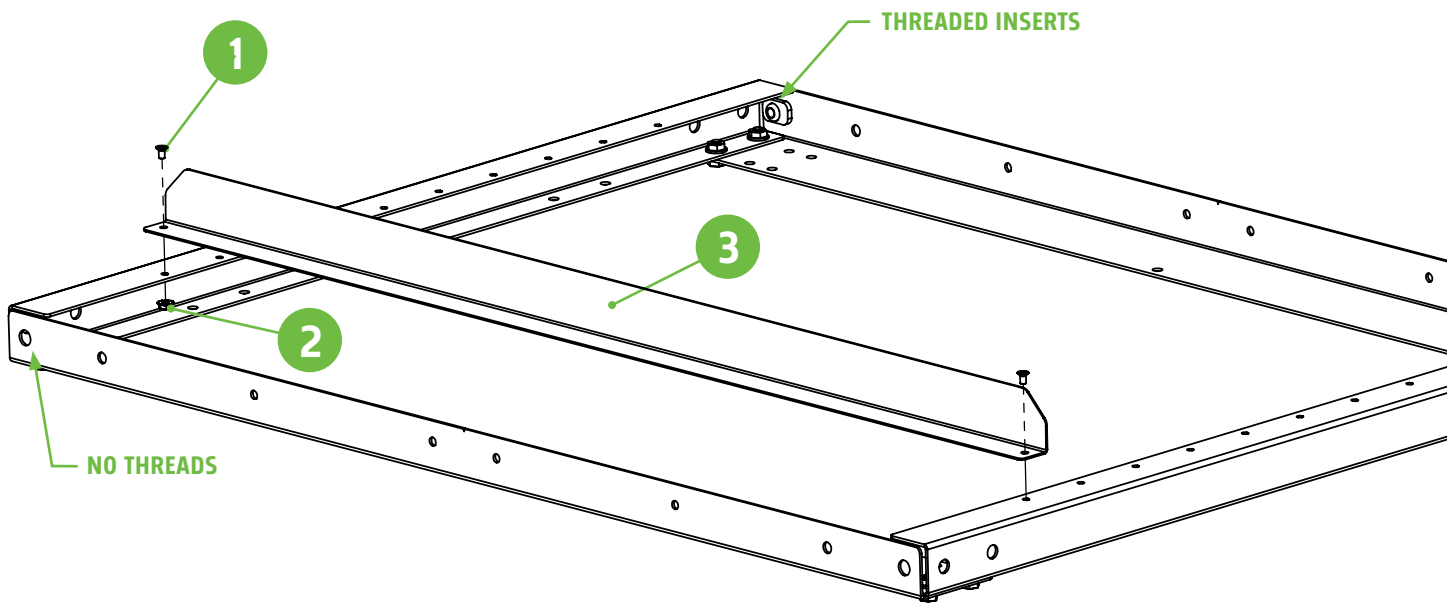
Attach the upper side crossbars to the uprights in the four mounting points shown below. Ensure that you are attaching the crossbar that DOES NOT have threaded inserts at this step.



Step 3

TAG	ITEM	DESCRIPTION	QTY.
1	PRHD-SCW8X3/4PAN	#8 X 3/4" PHILLIPS PAN SCREW	4 PER SCREEN SLOT
2	PRHD-KN#8NF	#8-32 LOCK NUT	4 PER SCREEN SLOT
3	MFPD-RHCRTSLT	RH PRESS CART SCREEN HOLDING SLAT	2 PER SCREEN SLOT

Attach the screen holding slats. It is recommended to install one slat at a time to ensure you have ample room to install hardware. Start the slat installation with a hand screwdriver. Hold the lock nut in place with your finger until it is snug and grabs the metal. Once the nut no longer moves freely, fully tighten the screws. Repeat steps 1-3 for the opposite side panel.



NOTE:

Single station cart = 10 screen slots

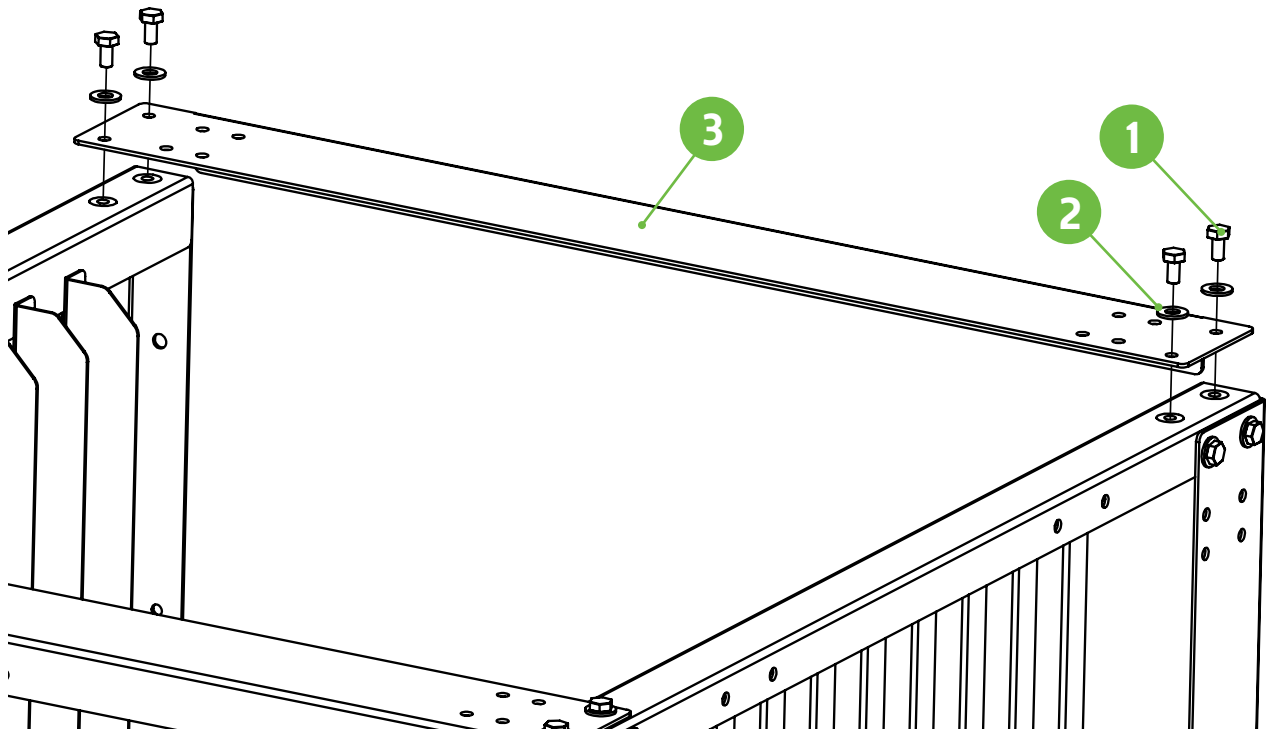
Multi-station cart = 8 screen slots

Step 4

TAG	ITEM	DESCRIPTION	QTY.
1	PRHD-HC1/4NC1/2GR5ZC	1/4" X 1/2" HEX CAP SCREW	16
2	PRHD-WA1/4USSGR5ZC	1/4" USS FLAT WASHER	16
4	MFPD-RHCRTTOP	RH CART TOP AND BOTTOM FRONT/REAR PANEL	4

Attach the upper and lower front and rear crossbars in the four mounting locations. This part is used in all four locations. Your cart will have extra hole cutouts in the parts that can be used for attachments that can be purchased separately.

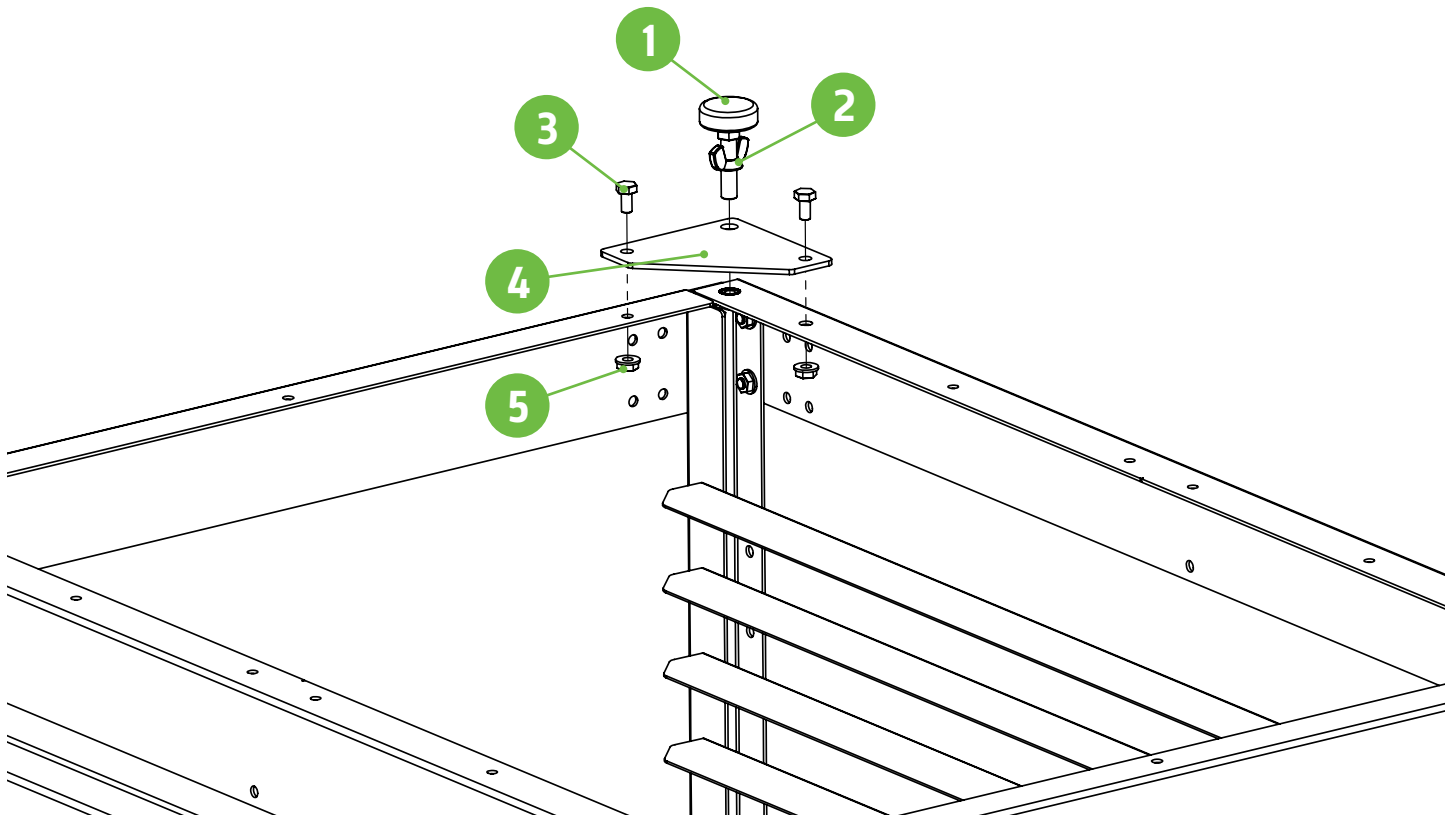
NOTE: Not all holes are used during standard cart assembly.



Step 5

TAG	ITEM	DESCRIPTION	QTY.
1	PRHD-LF3/8NC1-1/2GR5ZC	3/8" STEM LEVELING FOOT	4
2	PRHD-WINGNT3/8NC	3/8-16 WING NUT	4
3	PRHD-HC1/4NC1/2GR5ZC	1/4" X 1/2" HEX CAP SCREW	8
4	MFZC-RHCRTGST	LOWER CART CORNER GUSSETS	4
5	PRHD-FLN1/4NCGR5ZC	1/4" FLANGED NUT	8

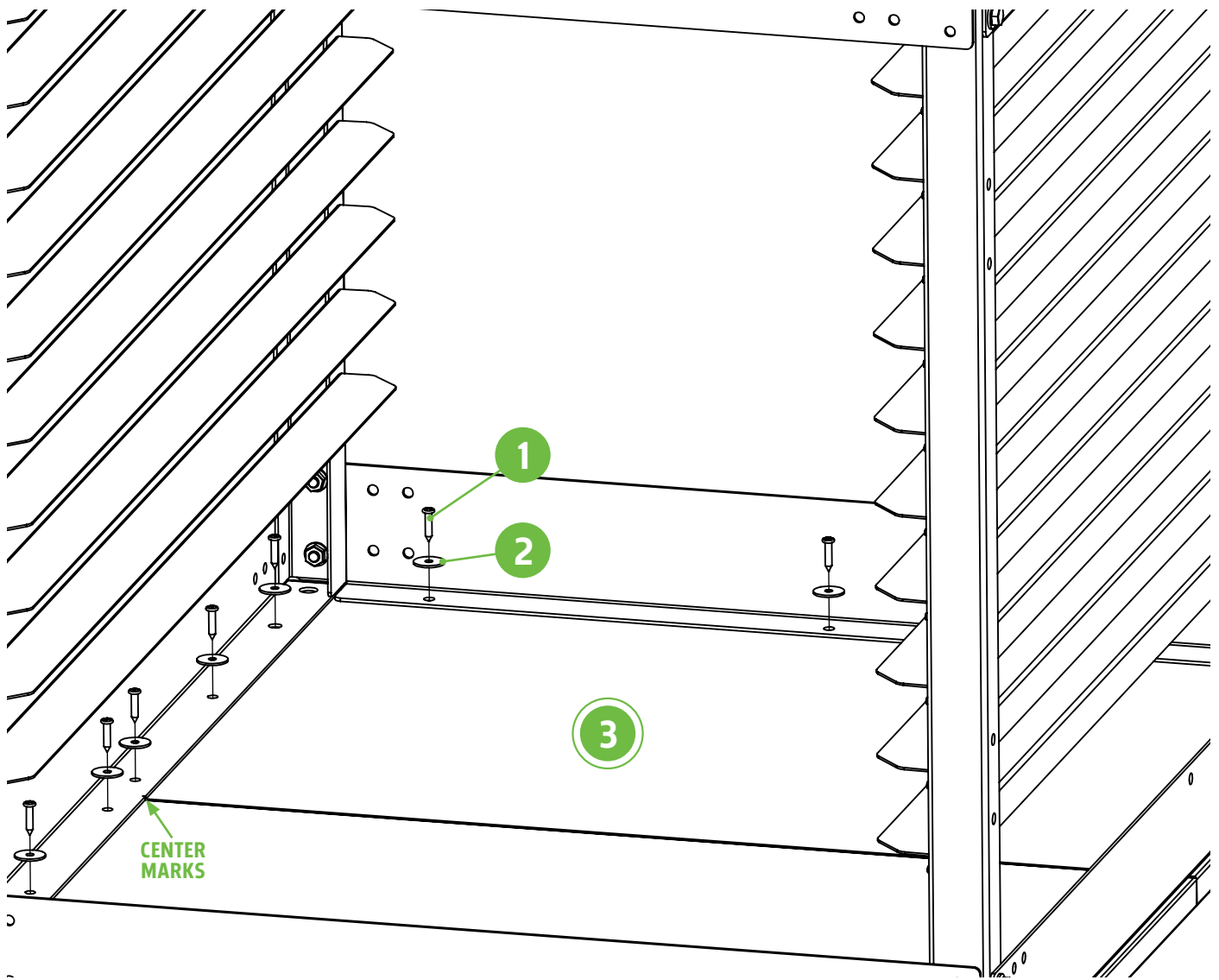
Attach the lower support gussets with 1/4" hardware. Install the 3/8 wing nut onto the leveling foot as shown. Then install the leveling foot into the corner threaded hole of the cart. Once the cart is in its final upright position you can level the cart to your floor. Once the cart does not wobble, lock the wing nuts to hold the leveling feet in place.



Step 6

TAG	ITEM	DESCRIPTION	QTY.
1	PRHD-SCW8X3/4PAN	#8 X 3/4" PHILLIPS PAN SCREW	18
2	PRHD-FDRWA3/16X3/4	3/16" X 3/4" FENDER WASHER	18
3	PRCO-CARTTOP	PRESS CART TOP PANEL	2

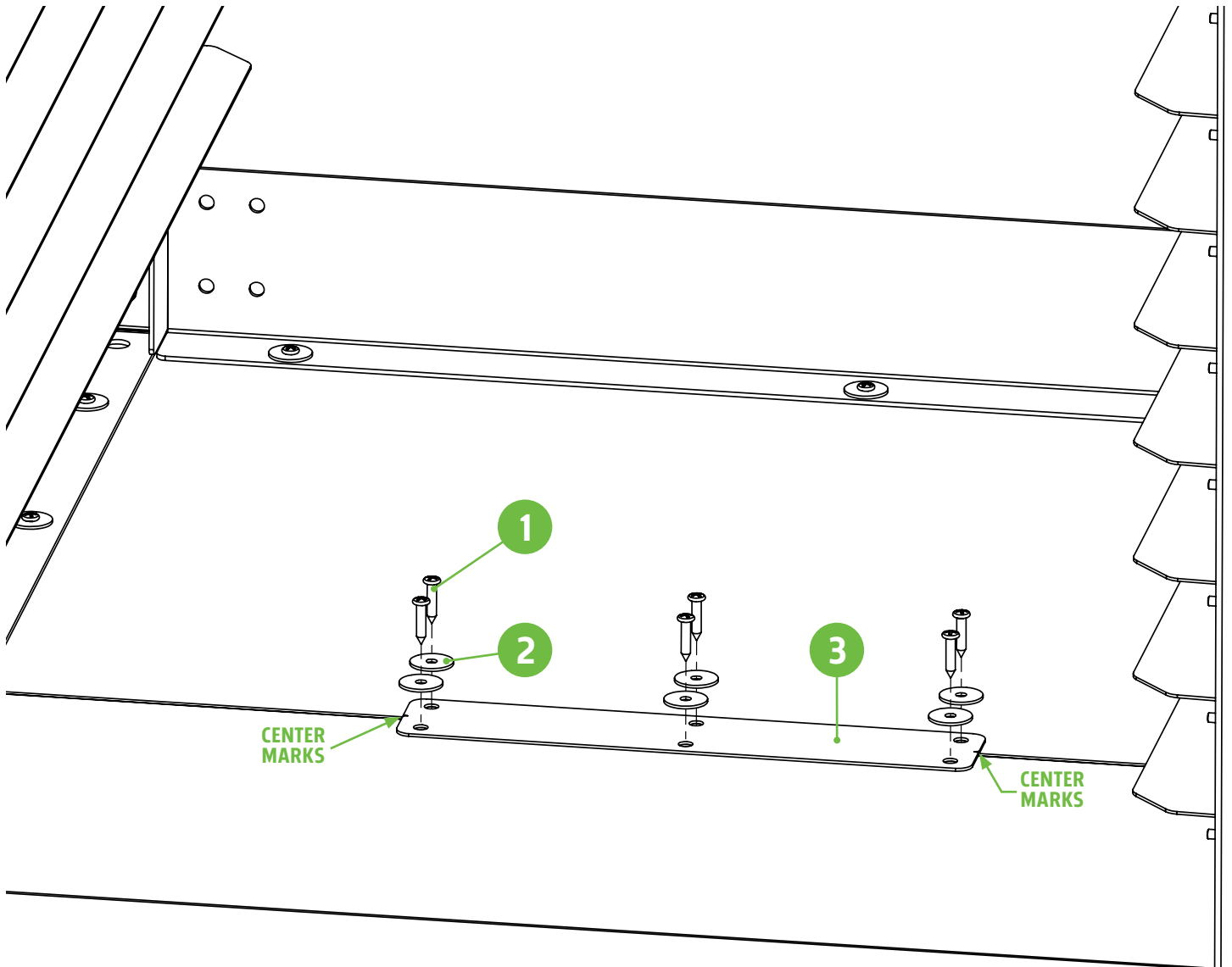
With the cart frame upside down, set the cart onto the two-piece tabletop. Use the center marks on the side crossbars to center the pieces from front to back. Use the side panels to center them right to left. Attach both pieces around the perimeter of the frame as shown.



Step 7

TAG	ITEM	DESCRIPTION	QTY.
1	PRHD-SCW8X3/4PAN	#8 X 3/4" PHILLIPS PAN SCREW	6
2	PRHD-FDRWA3/16X3/4	3/16" X 3/4" FENDER WASHER	6
3	MFLS-RHCRTPLT	PRESS CART TABLETOP CONNECTION PLATE	1

Install the tabletop connection plate in the center of the seam of the two top panels. Use the center marks on the connection plate to center the two pieces. Your cart is now completed. Flip the cart into an upright position and calibrate the leveling feet for a stable printing surface.

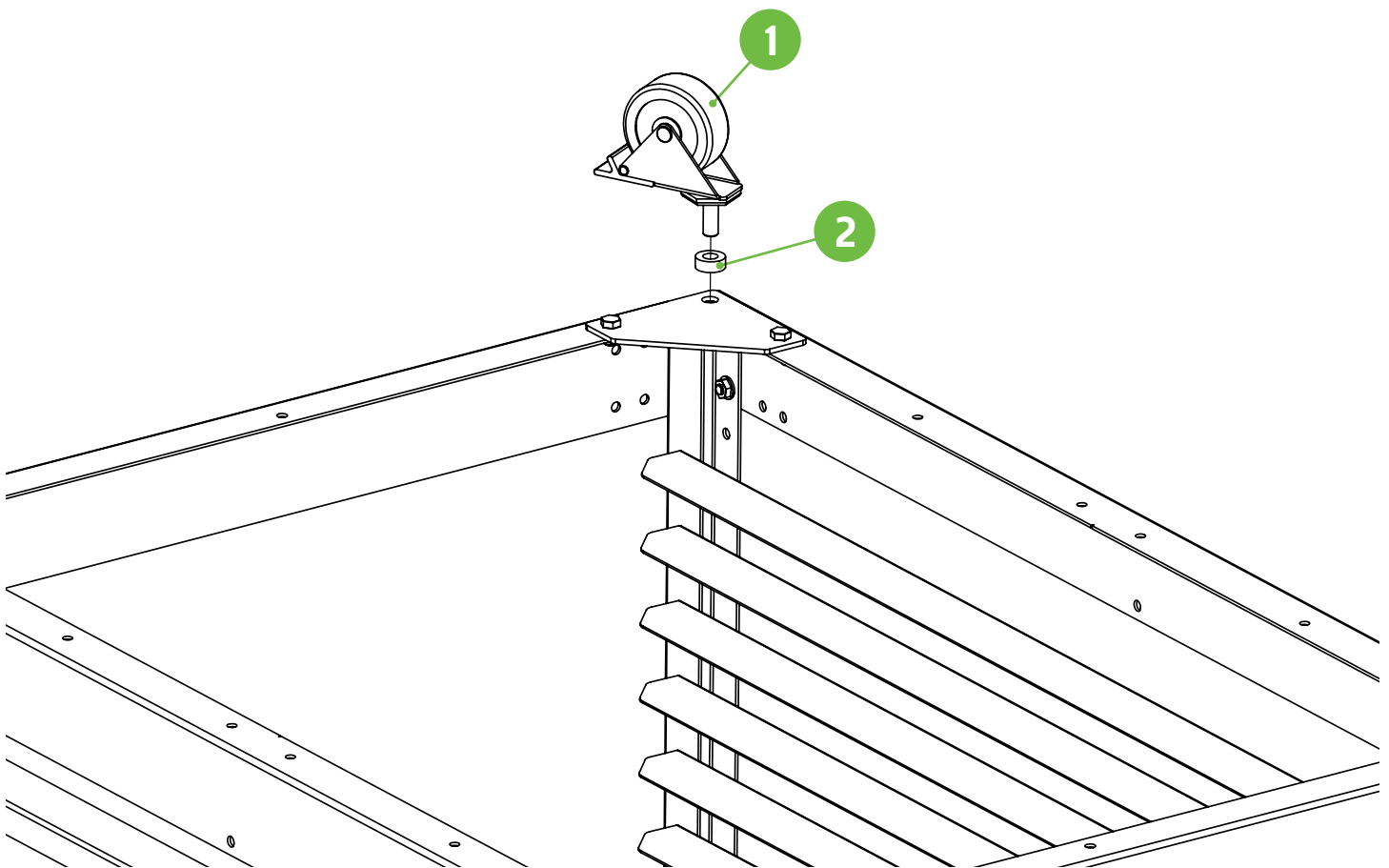


PRSA-CASTER2INKIT OPTIONAL CASTER KIT (SOLD SEPARATELY)

TAG	ITEM	DESCRIPTION	QTY.
1	PRHD-HC1/4NC1/2GR5ZC	1/4" X 1/2" HEX CAP SCREW	4
2	PRHD-WA1/4USSGR5ZC	1/4" USS FLAT WASHER	4

The press cart can easily convert to a moveable utility cart for print jobs or other shop uses. Simply remove the leveling feet from the threaded holes in the cart. Install the casters with spacers in its place.

NOTE: It is NOT recommended to use the wheels for tabletop press printing. They will reduce the stability of the printing surface.



LIMITED WARRANTY

While we take pride in our quality and do our best to ensure your satisfaction, Riley Hopkins™/Ryonet® does not assume any liability for damages, whether consequential or incidental, that may result from the misuse of the below-stated specifications.

GENERAL PROVISIONS: The warranties described below apply ONLY to the original purchasers of new Riley Hopkins™ carts from Ryonet®, purchased on or after April 20, 2013. Under these warranties, Ryonet® will repair or replace, as Ryonet® elects, covered defective parts, materials, or workmanship without charge for parts or the reasonable cost of labor-related thereto. Ryonet® will use only new or re-manufactured parts or components furnished by Ryonet® or a Ryonet®-authorized third party.

WARRANTY DURATION: A lifetime warranty shall apply to covered Riley Hopkins™ presses, parts, components, and materials as set forth below.

WHAT IS COVERED: This warranty covers all non-wearable parts, non-wearable components, and non-wearable materials of new Riley Hopkins™ carts. HOWEVER, the following items are excluded from the scope of this warranty: expendable parts (including but not limited to bearings, springs, nylon bolts, oilites, and fasteners). FURTHER, Ryonet® does not warrant failure of parts or components resulting from misuse or lack of proper maintenance, or improper installation.

WHAT IS NOT COVERED: Installation, inspection, and routine maintenance costs are the sole responsibility of the purchaser; used equipment; any equipment modified or altered in any way not approved by Ryonet® in writing including, but not limited to, disassembling bearing components; routine maintenance and lubrication; consequences of negligence, misuse, accident, or improper application, installation, or storage of the press; consequences of any service performed by someone other than a Ryonet®-authorized provider.

SECURING WARRANTY SERVICE: Warranty service must be requested from the nearest Ryonet® location. At the time of requesting warranty service, the person or entity requesting warranty service must be prepared to present evidence that it was the original purchaser of the Riley Hopkins™ cart(s). Written authorization must be obtained from Ryonet® before any part will be accepted. In order to return such defective parts, contact Ryonet® to return such part freight prepaid. Replacement parts are sent out for freight collection. Parts sent out prior to receiving the defective parts will be sent C.O.D., cost plus freight. Upon return of the defective parts, if it is deemed that the parts was not damaged by the customer but failed, the cost of the replacement part will be refunded.

NO REPRESENTATIONS OR IMPLIED WARRANTIES: WHERE PERMITTED BY LAW, RYONET® NOR ANY RYONET® AFFILIATE MAKES ANY GUARANTEES, WARRANTIES, CONDITIONS, REPRESENTATIONS, EXPRESS OR IMPLIED PROMISES, ORAL OR WRITTEN, AS TO THE NONOCCURRENCE OF ANY DEFECT, THE QUALITY, OR PERFORMANCE OF RILEY HOPKINS™ CARTS OTHER THAN THOSE SET FORTH HEREIN. FURTHER, RYONET® NOR ITS AFFILIATES DO NOT MAKE ANY IMPLIED WARRANTIES OR CONDITIONS OF MERCHANTABILITY OR FITNESS OTHERWISE PROVIDED BY THE UNIFORM COMMERCIAL CODE OR REQUIRED BY LAW TO THE FULLEST EXTENT PROVIDED BY LAW EXCEPT AS SET FORTH HEREIN.

LIMITATION OF LIABILITY: The remedies set forth in this warranty are the purchaser's exclusive remedies in connection with the performance of, or any breach of any guarantee, condition, or warranty with respect to any new Riley Hopkins™ carts. In the event the above warranty fails to correct the purchaser's performance problems caused by defects in workmanship and/or materials, the purchaser's exclusive remedy shall be limited to payment for actual damages in an amount not to exceed the cost of the cart.

IN NO EVENT SHALL RYONET® OR ANY AFFILIATE OF RYONET® BE LIABLE FOR INCIDENTAL OR CONSEQUENTIAL DAMAGES FOR INJURIES TO THE FULLEST EXTENT PROVIDED BY LAW, INCLUDING BUT NOT LIMITED TO, LOSS OF PROFITS, LOSS OF MERCHANDISE, SUBSTITUTION, OR OTHER COMMERCIAL LOSS, FOR DAMAGE SUFFERED BY PURCHASER ARISING FROM A RILEY HOPKINS™ CART, UNLESS SUCH DAMAGES OR INJURIES ARE CAUSED BY THE GROSS NEGLIGENCE OR INTENTIONAL ACTS OF RYONET®. RYONET® FURTHER DISCLAIMS ALL LIABILITY FOR BODILY INJURIES TO THE FULLEST EXTENT PROVIDED BY LAW.

NO SELLER'S WARRANTY: No person or entity, other than Ryonet®, who sells the Riley Hopkins™ carts has the authority to make any guarantee, representation, promise, or warranty with respect to any Riley Hopkins™ cart unless the person or entity delivers to the purchaser a separate written guaranty certificate specifically guaranteeing the cart, in which case Ryonet® shall have no obligation to the purchaser. Neither original Riley Hopkins™ manufacturers, distributors, or dealers, nor any other person or entity, has any authority to make any representation or promise on behalf of Ryonet® or to modify the terms or limitations of this warranty in any way.

ADDITIONAL INFORMATION

For additional information concerning the Riley Hopkins™/Ryonet® limited warranty, contact support@ryonet.com or 1-360-576-7188.

