



ASSEMBLY INSTRUCTIONS

Riley Hopkins[®]

PRESS CART LIFTING CASTER KIT





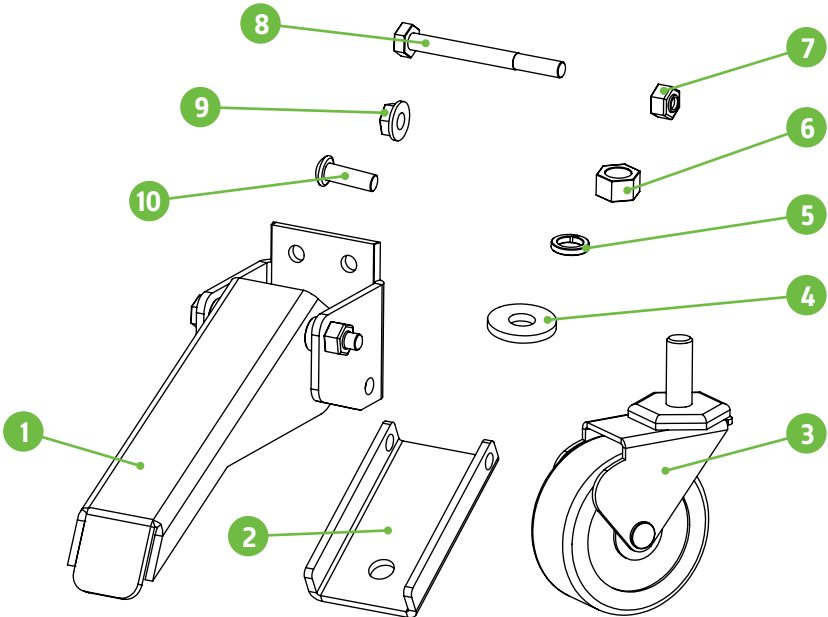
TOOLS REQUIRED:

· (x2) 7/16" Wrench · (x1) 5/32" Hex wrench

What's in the box

TAG	ITEM	DESCRIPTION	QTY.
1	MFSA-SWVLBKT	PIVOT CASTER LIFTING LEVER/ MOUNTING	4
2	MFZC-SWVLBKT2	LOWER PIVOT CASTER WHEEL BRACKET	4
3	MFCO-CSTR2X3/8ML-NL	2-1/2" NON-LOCKING CASTER	4
4	PRHD-WA3/8USSPFC9ZY	3/8" PFC9 USS FLAT WASHER	8
5	PRHD-LWA3/8GR5ZC	3/8" SPLIT LOCK WASHER ZINC PLATED	4
6	PRHD-HN3/8NCGR5ZC	3/8-16 HEX FINISH NUT	4
7	PRHD-NYN1/4NCGR5ZC	1/4"-20 NYLOC NUT ZINC	4
8	PRHD-HC1/4NC1-1/2GR5ZC	1/4" 1-1/2" HEX CAP SCREW	4
9	PRHD-FLN1/4NCGR5ZC	1/4" FLANGED NUT	16
10	PRHD-BTN1/4NC1/2SS	1/4"-20 X 1/2" BUTTON HEAD	16

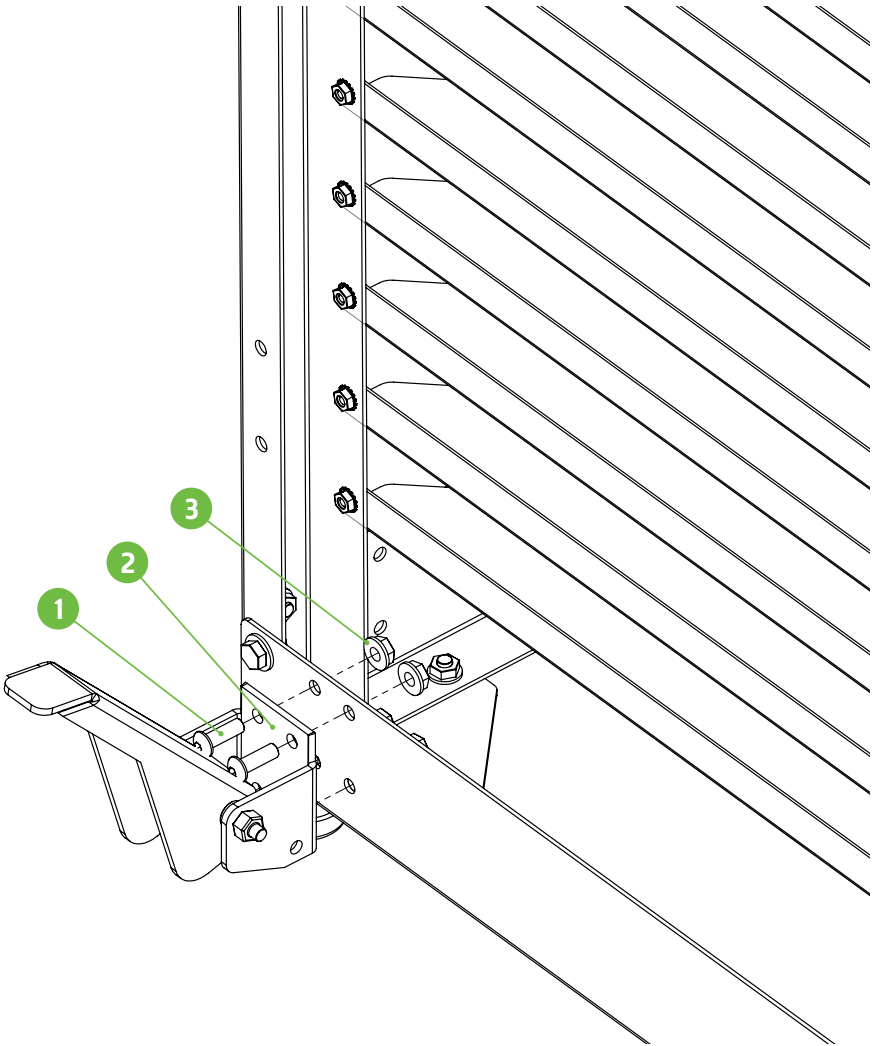
IMPORTANT: BE SURE ALL PARTS ARE ENCLOSED BEFORE ASSEMBLING.



STEP 1

TAG	ITEM	DESCRIPTION	QTY.
1	PRHD-BTN1/4NC1/2SS	1/4"-20 X 1/2" BUTTON HEAD	16
2	MFSA-SWVLBKT	PIVOT CASTER LIFTING LEVER/ MOUNTING	4
3	PRHD-FLN1/4NCGR5ZC	1/4" FLANGED NUT	16

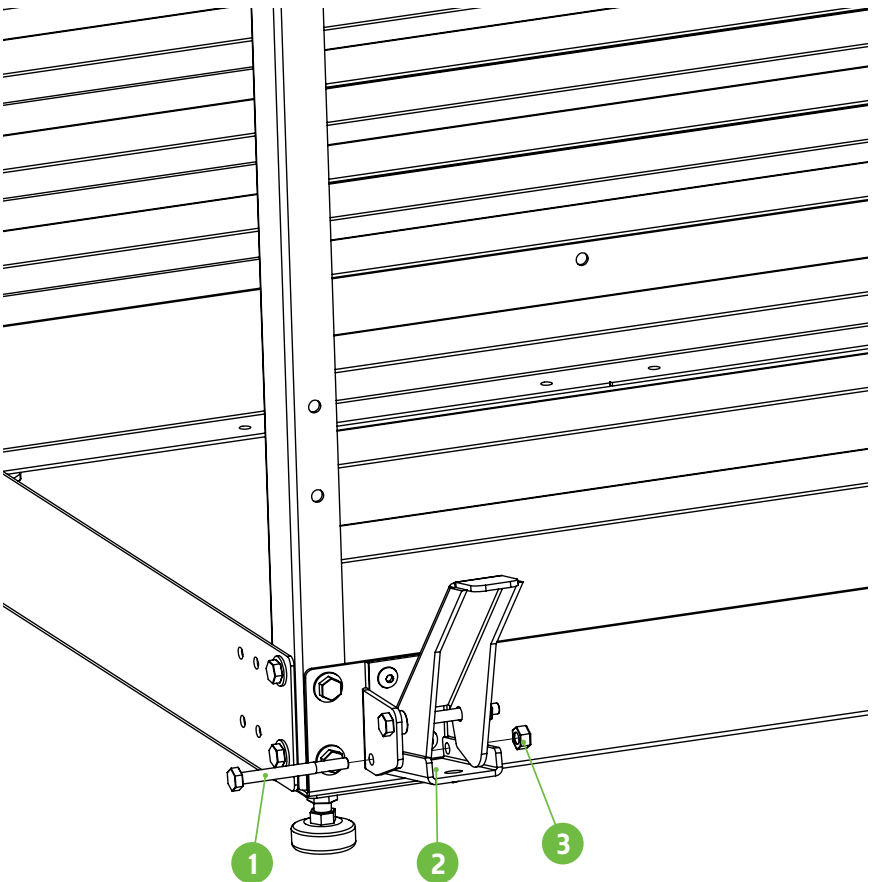
Attach the pivot caster lifting lever/mounting bracket to the press cart with 1/4" hardware. These can be attached to the side or front of the press cart.



STEP 2

TAG	ITEM	DESCRIPTION	QTY.
1	PRHD-HC1/4NC1-1/2GR5ZC 1/4"	1/4" 1-1/2" HEX CAP SCREW	4
2	MFZC-SWVLBKT2	LOWER PIVOT CASTER WHEEL BRACKET	4
3	PRHD-NYN1/4NCGR5ZC	1/4"-20 NYLOC NUT ZINC	4

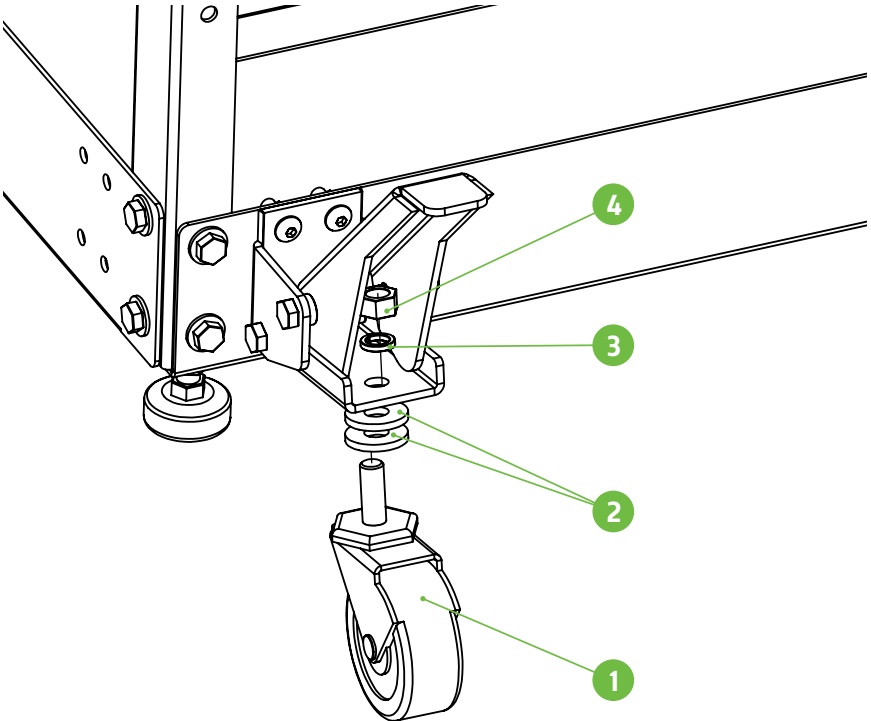
Attach the lower pivot caster wheel bracket to the mounting bracket with the 1/4" hardware. Do not over-tighten as this will cause resistance in the lifting mechanism.



STEP 3

TAG	ITEM	DESCRIPTION	QTY.
1	MFC0-CSTR2X3/8ML-NL	2-1/2" NON-LOCKING CASTER	4
2	PRHD-WA3/8USSPFC9ZY	3/8" PFC9 USS FLAT WASHER	8
3	PRHD-LWA3/8GR5ZC	3/8" SPLIT LOCK WASHER ZINC PLATED	4
4	PRHD-HN3/8NCGR5ZC	3/8"-16 HEX FINISH NUT	4

Install the non-locking caster to the Lower pivot caster wheel bracket. Ensure the two large 3/8" washers are under the zinc bracket. Fully tighten the 3/8" Hex nut to lock in place. Repeat steps 1-3 for the remaining three assemblies.



LIMITED WARRANTY

While we take pride in our quality and do our best to ensure your satisfaction, Riley Hopkins™/Ryonet® does not assume any liability for damages, whether consequential or incidental, that may result from the misuse of the below-stated specifications.

GENERAL PROVISIONS: The warranties described below apply ONLY to the original purchasers of new Riley Hopkins™ lifting casters from Ryonet®, purchased on or after April 20, 2013. Under these warranties, Ryonet® will repair or replace, as Ryonet® elects, covered defective parts, materials, or workmanship without charge for parts or the reasonable cost of labor-related thereto. Ryonet® will use only new or re-manufactured parts or components furnished by Ryonet® or a Ryonet®-authorized third party.

WARRANTY DURATION: A lifetime warranty shall apply to covered Riley Hopkins™ lifting caster, parts, components, and materials as set forth below.

WHAT IS COVERED: This warranty covers all non-wearable parts, non-wearable components, and non-wearable materials of new Riley Hopkins™ lifting casters. HOWEVER, the following items are excluded from the scope of this warranty: expendable parts (including but not limited to bearings, springs, nylon bolts, oilites, and fasteners). FURTHER, Ryonet® does not warrant failure of parts or components resulting from misuse or lack of proper maintenance, or improper installation.

WHAT IS NOT COVERED: Installation, inspection, and routine maintenance costs are the sole responsibility of the purchaser; used equipment; any equipment modified or altered in any way not approved by Ryonet® in writing including, but not limited to, disassembling bearing components; routine maintenance and lubrication; consequences of negligence, misuse, accident, or improper application, installation, or storage of the lifting casters; consequences of any service performed by someone other than a Ryonet®-authorized provider.

SECURING WARRANTY SERVICE: Warranty service must be requested from the nearest Ryonet® location. At the time of requesting warranty service, the person or entity requesting warranty service must be prepared to present evidence that it was the original purchaser of the Riley Hopkins™ lifting caster(s). Written authorization must be obtained from Ryonet® before any part will be accepted. In order to return such defective parts, contact Ryonet® to return such part freight prepaid. Replacement parts are sent out for freight collection. Parts sent out prior to receiving defective part will be sent C.O.D., cost plus freight. Upon return of the defective part, if it is deemed that the part was not damaged by the customer but failed, the cost of the replacement parts will be refunded.

NO REPRESENTATIONS OR IMPLIED WARRANTIES: WHERE PERMITTED BY LAW, RYONET® NOR ANY RYONET® AFFILIATE MAKES ANY GUARANTEES, WARRANTIES, CONDITIONS, REPRESENTATIONS, EXPRESS OR IMPLIED PROMISES, ORAL OR WRITTEN, AS TO THE NONOCCURRENCE OF ANY DEFECT, THE QUALITY, OR PERFORMANCE OF RILEY HOPKINS™ LIFTING CASTERS OTHER THAN THOSE SET FORTH HEREIN. FURTHER, RYONET® NOR ITS AFFILIATES DO NOT MAKE ANY IMPLIED WARRANTIES OR CONDITIONS OF MERCHANTABILITY OR FITNESS OTHERWISE PROVIDED BY THE UNIFORM COMMERCIAL CODE OR REQUIRED BY LAW TO THE FULLEST EXTENT PROVIDED BY LAW EXCEPT AS SET FORTH HEREIN.

LIMITATION OF LIABILITY: The remedies set forth in this warranty are the purchaser's exclusive remedies in connection with the performance of, or any breach of any guarantee, condition, or warranty with respect to any new Riley Hopkins™ lifting casters. In the event the above warranty fails to correct the purchaser's performance problems caused by defects in workmanship and/or materials, the purchaser's exclusive remedy shall be limited to payment for actual damages in an amount not to exceed the cost of the press.

IN NO EVENT SHALL RYONET® OR ANY AFFILIATE OF RYONET® BE LIABLE FOR INCIDENTAL OR CONSEQUENTIAL DAMAGES FOR INJURIES TO THE FULLEST EXTENT PROVIDED BY LAW, INCLUDING BUT NOT LIMITED TO, LOSS OF PROFITS, LOSS OF MERCHANDISE, SUBSTITUTION, OR OTHER COMMERCIAL LOSS, FOR DAMAGE SUFFERED BY PURCHASER ARISING FROM RILEY HOPKINS™ LIFTING CASTERS, UNLESS SUCH DAMAGES OR INJURIES ARE CAUSED BY THE GROSS NEGLIGENCE OR INTENTIONAL ACTS OF RYONET®. RYONET® FURTHER DISCLAIMS ALL LIABILITY FOR BODILY INJURIES TO THE FULLEST EXTENT PROVIDED BY LAW.

NO SELLER'S WARRANTY: No person or entity, other than Ryonet®, who sells the Riley Hopkins™ lifting casters has the authority to make any guarantee, representation, promise, or warranty with respect to any Riley Hopkins™ lifting casters unless the person or entity delivers to the purchaser a separate written guaranty certificate specifically guaranteeing the lifting casters, in which case Ryonet® shall have no obligation to the purchaser. Neither original Riley Hopkins™ manufacturers, distributors, or dealers, nor any other person or entity, has any authority to make any representation or promise on behalf of Ryonet® or to modify the terms or limitations of this warranty in any way.

ADDITIONAL INFORMATION

For additional information concerning the Riley Hopkins™/Ryonet® Lifting Casters Warranty, contact support@ryonet.com or 1-360-576-7188.

