



CATALOG 2024



Improve Your Bathroom with
Our Ventilation Solutions

Over the years of our operation, the main principles have remained quality and competitive prices. ELPLAST was founded in 1983, and since then, we have been engaged in the production of plastic products. We offer products under our own brand as well as a wide range of OEM products. Our components have been used in the production of capacitors and other electronic elements. We have also manufactured various household appliances. In the early 90s, we started producing bathroom fans, which gradually became the main product of our company. Today, we are one of the leading manufacturers of bathroom fans for many renowned companies. Currently, we focus on collaborating with other companies, for whom we design and manufacture custom products. We design products, create prototypes, and then produce the tools to start production. An essential part of our business is manufacturing in our modern production facility equipped with innovative machinery and experienced staff. We undertake the production and assembly of various products. We are a trustworthy partner who enjoys taking on new challenges, and customer satisfaction is our top priority.

Explanation of pictograms



- Ball bearings



- Timer



- Humidity sensor



- Fotocell



- Cable with a plug



- Pull swith



- Automatic shutter



- Backflap



- Silent mode

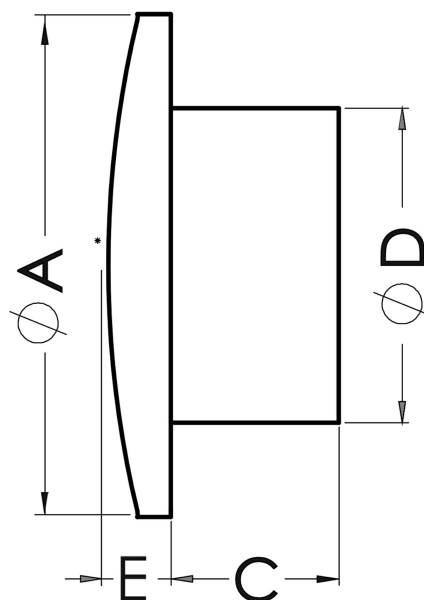


Bathroom fan Komfort 100B

SKU: 100967537



- **Rated voltage:** 230 V
- **Colour:** white
- **Mains frequency:** 50 Hz
- **Power consumption:** 19 W
- **Air output:** 100 m³/h
- **Bearing type:** ball bearing
- **Degree of protection (IP):** IP-X4
- **Sound pressure level:** 39.5 dB (A)
- **Speed:** 2550 rpm
- **Nominal size:** 100 mm
- **Material:** ABS/PP
- **Mounting location:** Wall / ceiling
- **Mounting type:** surface mounted
- **Fan weight:** 0.38 kg
- **A:** 135 mm
- **C:** 65 mm
- **D:** 99 mm
- **E:** 10 mm
- **Mounting hole:** Ø100 mm



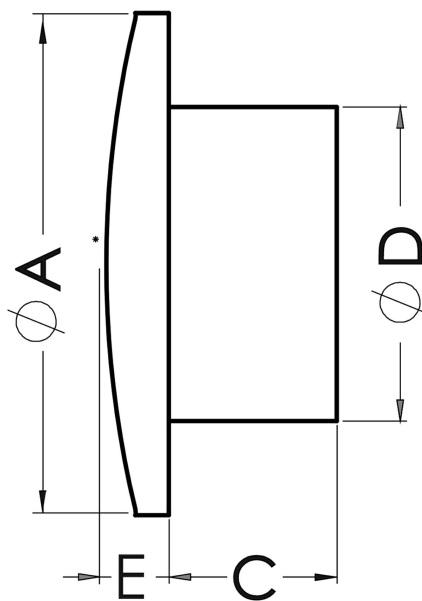


Bathroom fan Komfort 100T

SKU: 101424427



- **Rated voltage:** 230 V
- **Colour:** white
- **Mains frequency:** 50 Hz
- **Power consumption:** 19 W
- **Air output:** 100 m³/h
- **Bearing type:** ball
- **Degree of protection (IP):** IP-X4
- **Sound pressure level:** 39.5 dB (A)
- **Speed:** 2550 rpm
- **Nominal size:** 100 mm
- **Material:** ABS/PP
- **Installation location:** wall or ceiling
- **Mounting type:** surface mounted
- **Fan weight:** 0.39 kg
- **A:** 135 mm
- **C:** 65mm
- **D:** 99 mm
- **E:** 10 mm
- **Mounting hole:** Ø100 mm



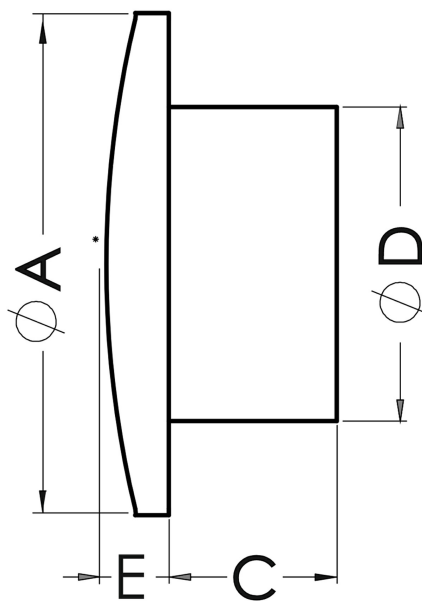


Bathroom fan Komfort 100HT

SKU: 101424491



- **Rated voltage:** 230 V
- **Colour:** white
- **Mains frequency:** 50 Hz
- **Power consumption:** 19 W
- **Air output:** 100 m³/h
- **Bearing type:** ball
- **Degree of protection (IP):** IP-X4
- **Sound pressure level:** 39.5 dB (A)
- **Speed:** 2550 rpm
- **Nominal size:** 100 mm
- **Material:** ABS/PP
- **Installation location:** wall or ceiling
- **Mounting type:** surface mounted
- **Fan weight:** 0.39 kg
- **A:** 135 mm
- **C:** 65mm
- **D:** 99 mm
- **E:** 10 mm
- **Mounting hole:** Ø100 mm



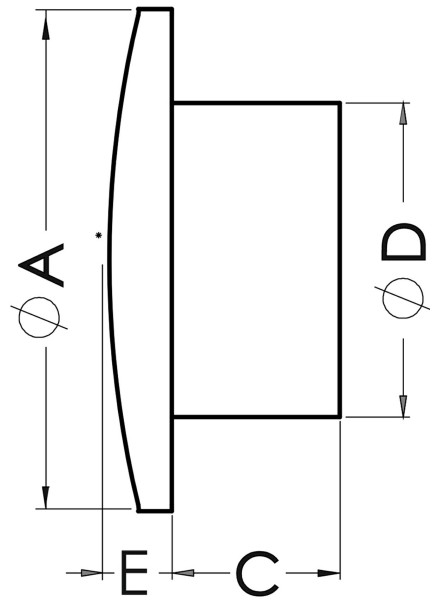


Bathroom fan Komfort 100VHT

SKU: 101424872



- **Rated voltage:** 230 V
- **Colour:** white
- **Mains frequency:** 50 Hz
- **Power consumption:** 19 W
- **Air output:** 100 m³/h
- **Bearing type:** ball
- **Degree of protection (IP):** IP-X4
- **Sound pressure level:** 39.5 dB (A)
- **Speed:** 2550 rpm
- **Nominal size:** 100 mm
- **Material:** ABS/PP
- **Mounting location:** Wall / ceiling
- **Mounting type:** surface mounted
- **Fan weight:** 0.39 kg
- **A:** 135 mm
- **C:** 65 mm
- **D:** 99 mm
- **E:** 10 mm
- **Mounting hole:** Ø100 mm



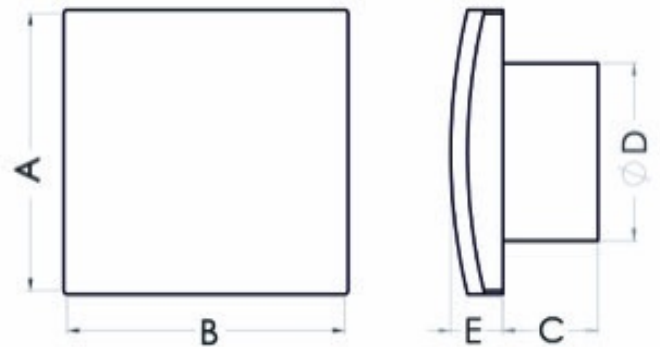


Bathroom fan Eol F12

SKU: 95313766



- **Rated voltage:** 230 V
- **Colour:** white
- **Mains frequency:** 50 Hz
- **Power consumption:** 20 W
- **Air output:** 150 m³/h
- **Bearing type:** sliding
- **Degree of protection (IP):** IP-X4
- **Sound pressure level:** 42 dB (A)
- **Speed:** 2360 rpm
- **Nominal size:** 120 mm
- **Material:** ABS/PP
- **Place of installation:** Wall
- **Mounting type:** surface mounted
- **Fan weight:** 0.65 kg
- **A:** 150 mm
- **B:** 162 mm
- **C:** 88 mm
- **D:** 119 mm
- **E:** 28 mm
- **Mounting hole:** Ø120 mm



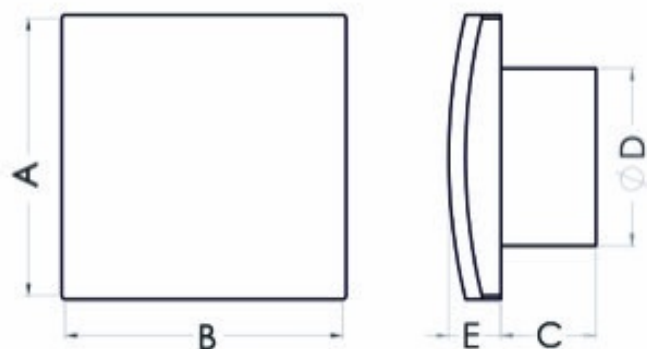


Bathroom fan Eol F12HT

SKU: 95329209



- **Rated voltage:** 230 V
- **Colour:** white
- **Mains frequency:** 50 Hz
- **Power consumption:** 20 W
- **Air output:** 150 m³/h
- **Bearing type:** sliding
- **Degree of protection (IP):** IP-X4
- **Sound pressure level:** 42 dB (A)
- **Speed:** 2360 rpm
- **Nominal size:** 120 mm
- **Material:** ABS/PP
- **Place of installation:** Wall
- **Mounting type:** surface mounted
- **Fan weight:** 0.59 kg
- **A:** 150 mm
- **B:** 162 mm
- **C:** 88 mm
- **D:** 119 mm
- **E:** 28 mm
- **Mounting hole:** Ø120 mm



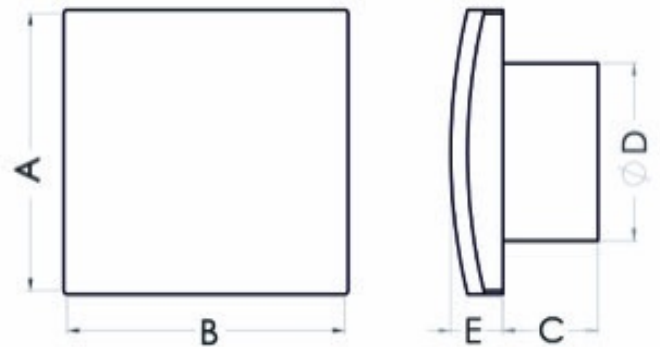


Bathroom fan F10T

SKU: 95183614



- **Rated voltage:** 230 V
- **Colour:** white
- **Mains frequency:** 50 Hz
- **Power consumption:** 19 W
- **Air output:** 100 m³/h
- **Bearing type:** sliding
- **Degree of protection (IP):** IP-X4
- **Sound pressure level:** 39.5 dB (A)
- **Speed:** 2550 rpm
- **Nominal size:** 100 mm
- **Material:** ABS/PP
- **Mounting location:** Wall
- **Mounting type:** surface-mounted
- **Fan weight:** 0.46 kg
- **A:** 141 mm
- **B:** 131 mm
- **C:** 84 mm
- **D:** 99 mm
- **E:** 29 mm
- **Mounting hole:** Ø100 mm



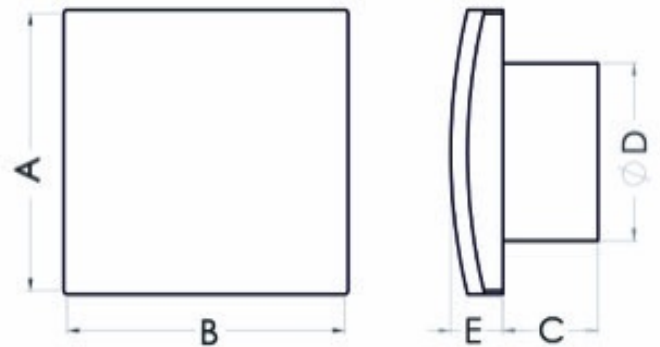


Bathroom fan Aero DK100HT+

SKU: 77348351



- **Rated voltage:** 230 V
- **Colour:** white
- **Mains frequency:** 50 Hz
- **Power consumption:** 19 W
- **Air output:** 100 m³/h
- **Bearing type:** ball bearing
- **Degree of protection (IP):** IP-X4
- **Sound pressure level:** 39.5 dB (A)
- **Speed:** 2550 rpm
- **Nominal size:** 100 mm
- **Material:** ABS/PP
- **Installation position:** wall/ceiling
- **Mounting type:** surface-mounted
- **Fan weight:** 0.48 kg
- **A:** 158 mm
- **B:** 159 mm
- **C:** 61 mm
- **D:** 99 mm
- **E:** 21 mm
- **Mounting hole:** Ø100 mm



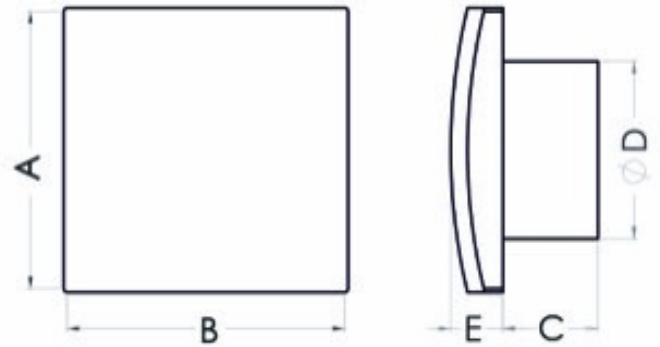


Bathroom fan Aero DK100L

SKU: 74500257



- **Rated voltage:** 230 V
- **Colour:** white
- **Mains frequency:** 50 Hz
- **Power consumption:** 19 W
- **Air output:** 100 m³/h
- **Bearing type:** ball bearing
- **Degree of protection (IP):** IP-X4
- **Sound pressure level:** 39.5 dB (A)
- **Speed:** 2550 rpm
- **Nominal size:** 100 mm
- **Material:** ABS/PP
- **Place of installation:** Wall / ceiling
- **Mounting type:** surface mounted
- **Fan weight:** 0.45 kg
- **A:** 158 mm
- **B:** 159 mm
- **C:** 53 mm
- **D:** 99 mm
- **E:** 21 mm
- **Mounting hole:** Ø100 mm



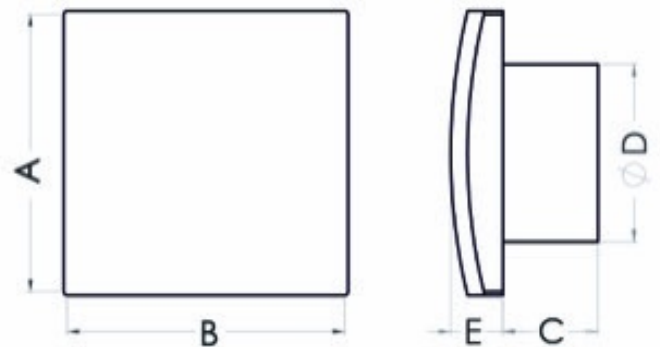
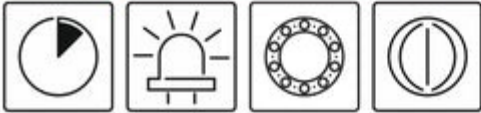


Bathroom fan Aero DK100T+

SKU: 77350122



- **Rated voltage:** 230 V
- **Colour:** white
- **Mains frequency:** 50 Hz
- **Power consumption:** 19 W
- **Air output:** 100 m3/h
- **Bearing type:** ball bearing
- **Degree of protection (IP):** IP-X4
- **Sound pressure level:** 39.5 dB (A)
- **Speed:** 2550 rpm
- **Nominal size:** 100 mm
- **Material:** ABS/PP
- **Installation position:** wall/ceiling
- **Mounting type:** Surface-mounted
- **Weight:** 0.48 kg
- **A:** 158 mm
- **B:** 159 mm
- **C:** 61 mm
- **D:** 99 mm
- **E:** 21 mm
- **Mounting hole:** Ø100 mm



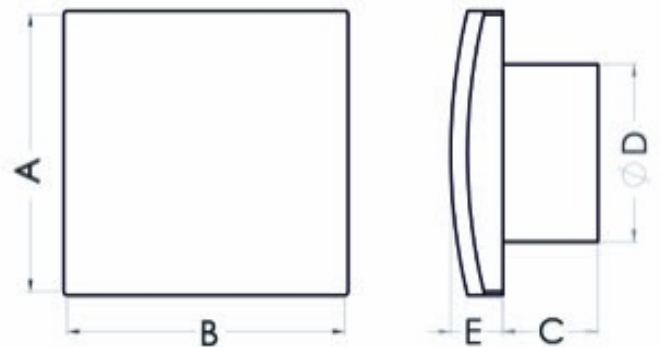


Bathroom fan Aero DS100HT

SKU: 78273811



- **Rated voltage:** 230 V
- **Mains frequency:** 50 Hz
- **Power consumed:** 19 W
- **Air output:** 100 m³/h
- **Bearing type:** sliding
- **Degree of protection (IP):** IP-X4
- **Sound pressure level:** 39.5 dB (A)
- **Speed:** 2550 rpm
- **Nominal size:** 100 mm
- **Material:** ABS/PP
- **Colour:** white
- **Place of installation:** Wall
- **Mounting type:** surface mounted
- **Fan weight:** 0.45 kg
- **A:** 158 mm
- **B:** 159 mm
- **C:** 53 mm
- **D:** 99 mm
- **E:** 21 mm
- **Mounting hole:** Ø100 mm



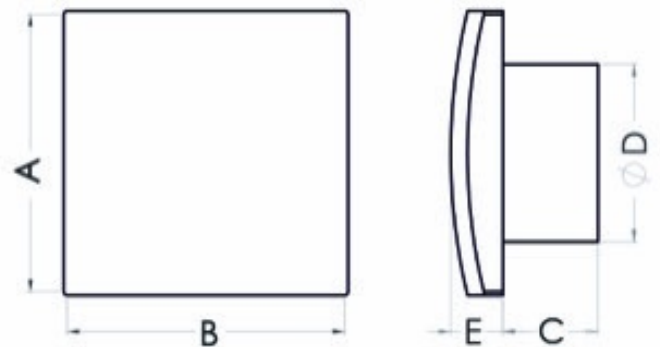


Bathroom fan Aero DS100HT+

SKU: 78381383



- **Rated voltage:** 230 V
- **Colour:** white
- **Mains frequency:** 50 Hz
- **Power consumption:** 19 W
- **Air output:** 100 m³/h
- **Bearing type:** sliding
- **Degree of protection (IP):** IP-X4
- **Sound pressure level:** 39.5 dB (A)
- **Speed:** 2550 rpm
- **Nominal size:** 100 mm
- **Material:** ABS/PP
- **Mounting location:** Wall
- **Mounting type:** surface-mounted
- **Fan weight:** 0.46 kg
- **A:** 158 mm
- **B:** 159 mm
- **C:** 61 mm
- **D:** 99 mm
- **E:** 21 mm
- **Mounting hole:** Ø100 mm



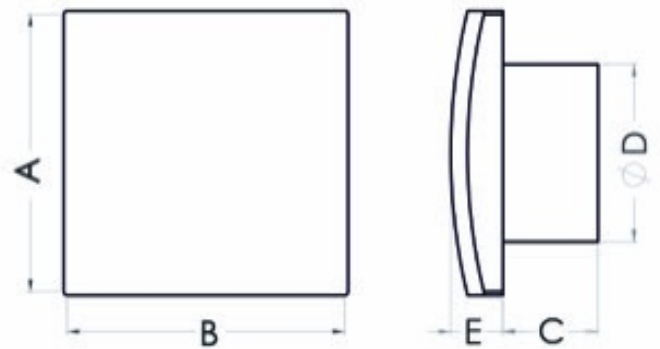


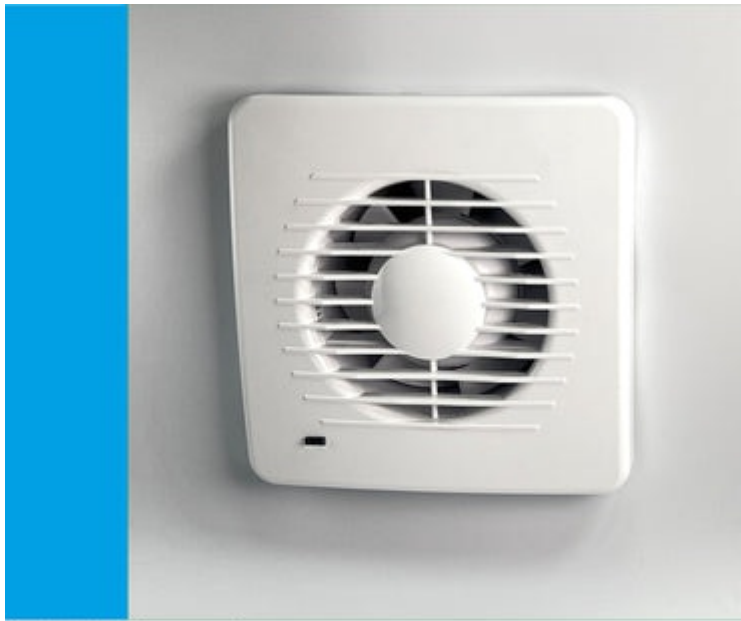
Bathroom fan Aero DS100L

SKU: 78332396



- **Rated voltage:** 230 V
- **Colour:** white
- **Mains frequency:** 50 Hz
- **Power consumption:** 19 W
- **Air output:** 100 m³/h
- **Bearing type:** sliding
- **Degree of protection (IP):** IP-X4
- **Sound pressure level:** 39.5 dB (A)
- **Speed:** 2550 rpm
- **Nominal size:** 100 mm
- **Material:** ABS/PP
- **Mounting location:** Wall
- **Mounting type:** surface mounted
- **Fan weight:** 0.44 kg
- **A:** 158 mm
- **B:** 159 mm
- **C:** 53 mm
- **D:** 99 mm
- **E:** 21 mm
- **Mounting hole:** Ø100 mm



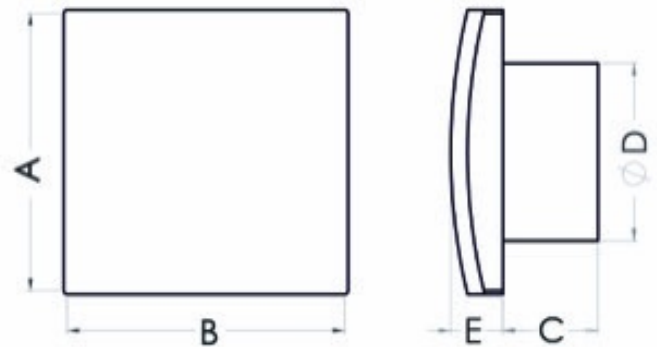


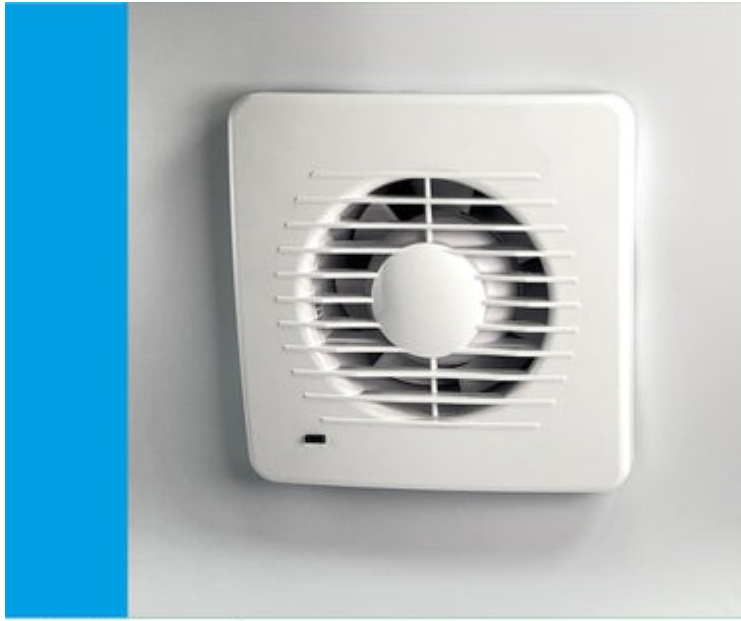
Bathroom fan Aero DS100L+

SKU: 78362445



- **Rated voltage:** 230 V
- **Colour:** white
- **Mains frequency:** 50 Hz
- **Power consumption:** 19 W
- **Air output:** 100 m³/h
- **Bearing type:** sliding
- **Degree of protection (IP):** IP-X4
- **Sound pressure level:** 39.5 dB (A)
- **Speed:** 2550 rpm
- **Nominal size:** 100 mm
- **Material:** ABS/PP
- **Mounting location:** Wall
- **Mounting type:** surface mounted
- **Fan weight:** 0.45 kg
- **A:** 158 mm
- **B:** 159 mm
- **C:** 61 mm
- **D:** 99 mm
- **E:** 21 mm
- **Mounting hole:** Ø100 mm



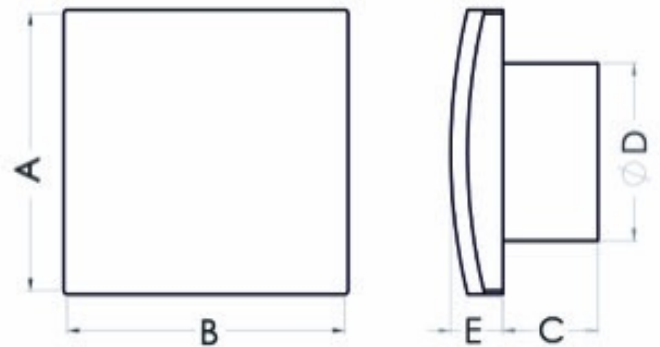


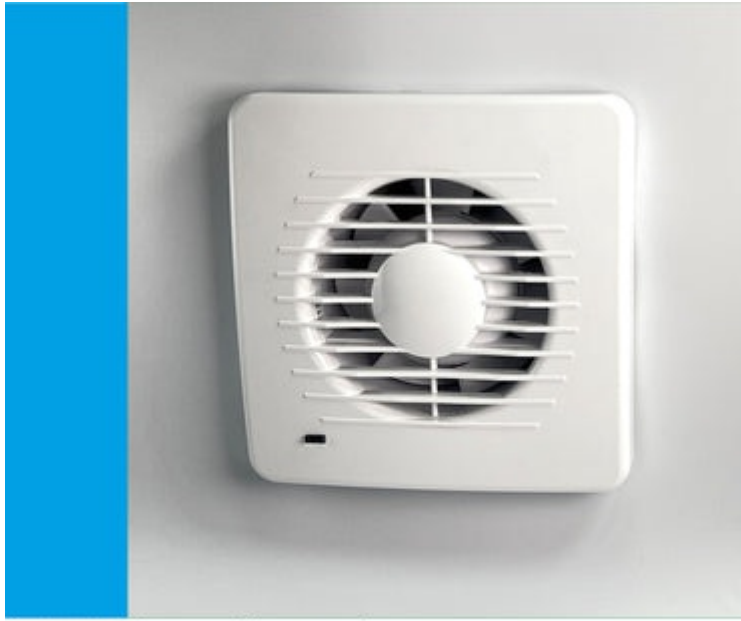
Bathroom fan Aero DS100T

SKU: 78265673



- **Rated voltage:** 230 V
- **Colour:** white
- **Mains frequency:** 50 Hz
- **Power consumption:** 19 W
- **Air output:** 100 m³/h
- **Bearing type:** sliding
- **Degree of protection (IP):** IP-X4
- **Sound pressure level:** 39.5 dB (A)
- **Speed:** 2550 rpm
- **Nominal size:** 100 mm
- **Material:** ABS/PP
- **Mounting location:** Wall
- **Mounting type:** surface mounted
- **Fan weight:** 0.45 kg
- **A:** 158 mm
- **B:** 159 mm
- **C:** 53 mm
- **D:** 99 mm
- **E:** 21 mm
- **Mounting hole:** Ø100 mm



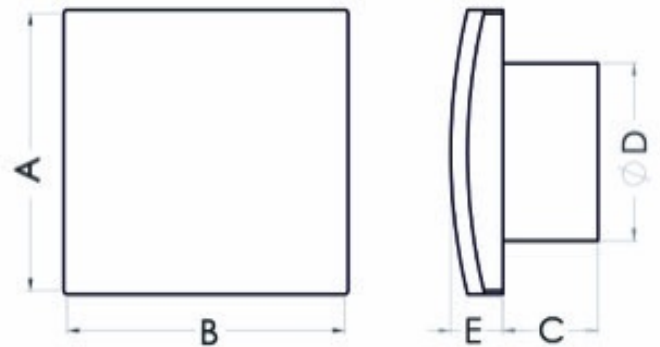


Bathroom fan Aero DS100T+

SKU: 78369014



- **Rated voltage:** 230 V
- **Mains frequency:** 50 Hz
- **Power consumed:** 19 W
- **Colour:** white
- **Air output:** 100 m³/h
- **Bearing type:** sliding
- **Degree of protection (IP):** IP-X4
- **Sound pressure level:** 39.5 dB (A)
- **Speed:** 2550 rpm
- **Nominal size:** 100 mm
- **Material:** ABS/PP
- **Mounting location:** Wall
- **Mounting type:** surface mounted
- **Fan weight:** 0.46 kg
- **A:** 158 mm
- **B:** 159 mm
- **C:** 61 mm
- **D:** 99 mm
- **E:** 21 mm
- **Mounting hole:** Ø100 mm



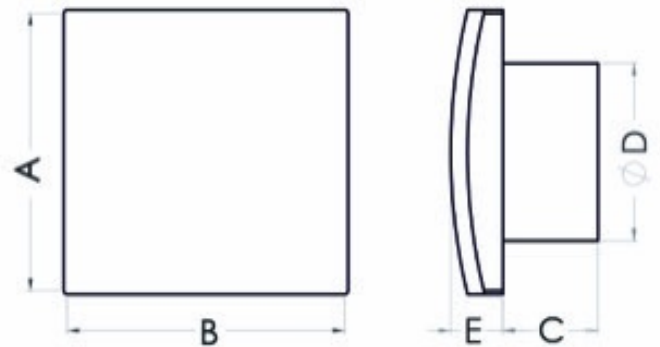


Bathroom fan Aero RK100

SKU: 78410475



- **Rated voltage:** 230 V
- **Colour:** white
- **Mains frequency:** 50 Hz
- **Power consumption:** 19 W
- **Air output:** 100 m³/h
- **Bearing type:** ball bearing
- **Degree of protection (IP):** IP-X4
- **Sound pressure level:** 39.5 dB (A)
- **Speed:** 2550 rpm
- **Nominal size:** 100 mm
- **Material:** ABS/PP
- **Place of installation:** Wall/ceiling
- **Mounting type:** surface-mounted
- **Fan weight:** 0.54 kg
- **A:** 158 mm
- **B:** 158 mm
- **C:** 53 mm
- **D:** 99 mm
- **E:** 26 mm
- **Mounting hole:** Ø100 mm



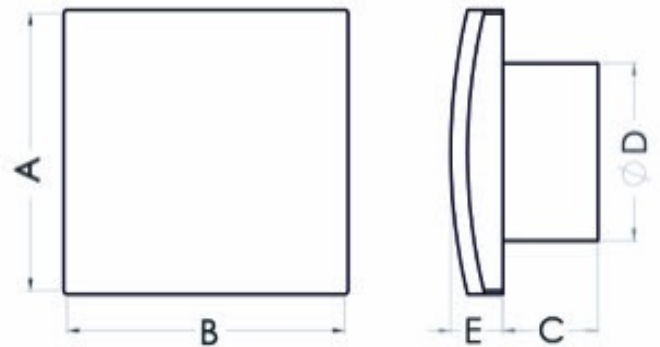


Bathroom fan Aero RK100+

SKU: 79109975



- **Rated voltage:** 230 V
- **Colour:** white
- **Mains frequency:** 50 Hz
- **Power consumption:** 19 W
- **Air output:** 100 m³/h
- **Bearing type:** ball bearing
- **Degree of protection (IP):** IP-X4
- **Sound pressure level:** 39.5 dB (A)
- **Speed:** 2550 rpm
- **Nominal size:** 100 mm
- **Material:** ABS/PP
- **Place of installation:** Wall/ceiling
- **Mounting type:** surface-mounted
- **Fan weight:** 0.56 kg
- **A:** 158 mm
- **B:** 158 mm
- **C:** 61 mm
- **D:** 99 mm
- **E:** 26 mm
- **Mounting hole:** Ø100 mm



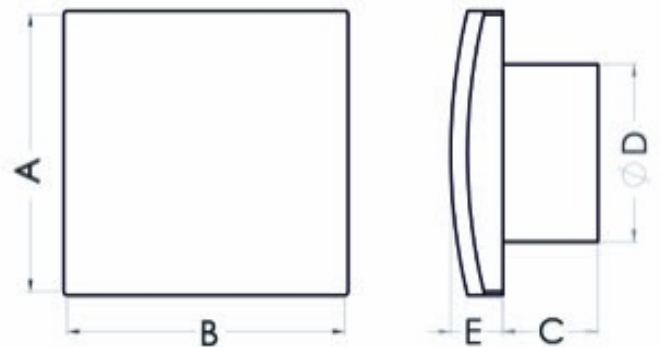


Bathroom fan Aero RK100HT

SKU: 79109297



- **Rated voltage:** 230 V
- **Colour:** white
- **Mains frequency:** 50 Hz
- **Power consumption:** 19 W
- **Air output:** 100 m3/h
- **Bearing type:** ball bearing
- **Degree of protection (IP):** IP-X4
- **Sound pressure level:** 39.5 dB (A)
- **Speed:** 2550 rpm
- **Nominal size:** 100 mm
- **Material:** ABS/PP
- **Place of installation:** Wall/ceiling
- **Mounting type:** surface-mounted
- **Fan weight:** 0.48 kg
- **A:** 158 mm
- **B:** 158 mm
- **C:** 53 mm
- **D:** 99 mm
- **E:** 26 mm
- **Mounting hole:** Ø100 mm



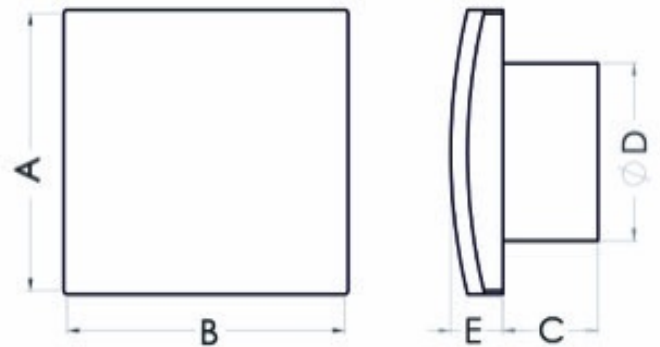


Bathroom fan Aero RK100HT+

SKU: 79113476



- **Rated voltage:** 230 V
- **Colour:** white
- **Mains frequency:** 50 Hz
- **Power consumption:** 19 W
- **Air output:** 100 m³/h
- **Bearing type:** ball bearing
- **Degree of protection (IP):** IP-X4
- **Sound pressure level:** 39.5 dB (A)
- **Speed:** 2550 rpm
- **Nominal size:** 100 mm
- **Material:** ABS/PP
- **Place of installation:** Wall/ceiling
- **Mounting type:** surface-mounted
- **Fan weight:** 0.50 kg
- **A:** 158 mm
- **B:** 158 mm
- **C:** 61 mm
- **D:** 99 mm
- **E:** 26 mm
- **Mounting hole:** Ø100 mm



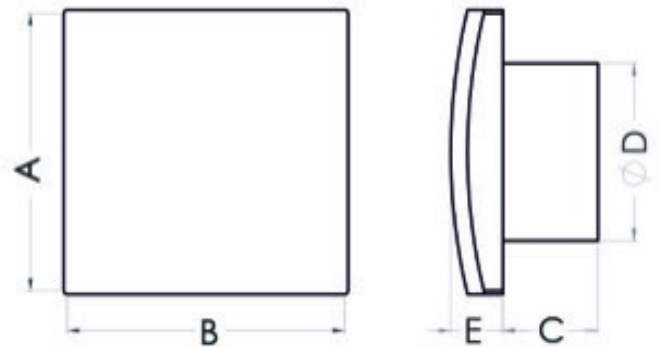


Bathroom fan Aero RK100L

SKU: 79109259



- **Rated voltage:** 230 V
- **Mains frequency:** 50 Hz
- **Power consumed:** 19 W
- **Air output:** 100 m3/h
- **Bearing type:** ball bearing
- **Degree of protection (IP):** IP-X4
- **Sound pressure level:** 39.5 dB (A)
- **Speed:** 2550 rpm
- **Nominal size:** 100 mm
- **Material:** ABS/PP
- **Colour:** white
- **Mounting location:** wall/ceiling
- **Mounting type:** surface mounted
- **Fan weight:** 0.47 kg
- **A:** 158 mm
- **B:** 158 mm
- **C:** 53 mm
- **D:** 99 mm
- **E:** 26 mm
- **Mounting hole:** Ø100 mm



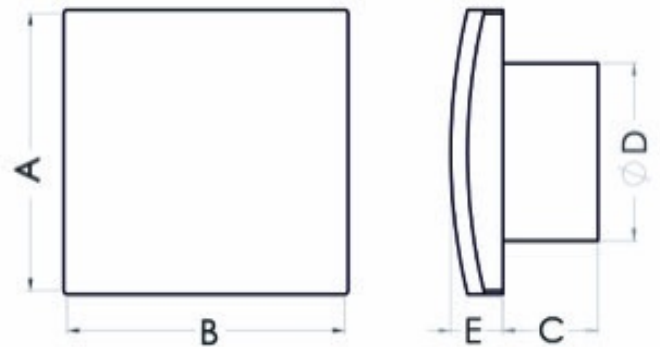


Bathroom fan Aero RK100L+

SKU: 79109979



- **Rated voltage:** 230 V
- **Colour:** white
- **Mains frequency:** 50 Hz
- **Power consumption:** 19 W
- **Air output:** 100 m³/h
- **Bearing type:** ball bearing
- **Degree of protection (IP):** IP-X4
- **Sound pressure level:** 39.5 dB (A)
- **Speed:** 2550 rpm
- **Nominal size:** 100 mm
- **Material:** ABS/PP
- **Place of installation:** Wall/ceiling
- **Mounting type:** surface-mounted
- **Fan weight:** 0.49 kg
- **A:** 158 mm
- **B:** 158 mm
- **C:** 61 mm
- **D:** 99 mm
- **E:** 26 mm
- **Mounting hole:** Ø100 mm



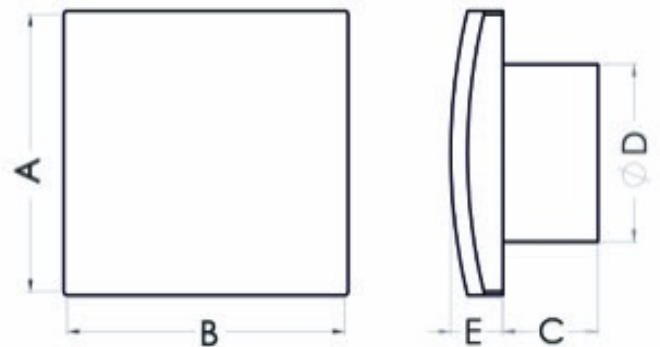


Bathroom fan Aero RK100P

SKU: 79109273



- **Rated voltage:** 230 V
- **Colour:** white
- **Mains frequency:** 50 Hz
- **Power consumption:** 19 W
- **Air output:** 100 m³/h
- **Bearing type:** ball bearing
- **Degree of protection (IP):** IP-X4
- **Sound pressure level:** 39.5 dB (A)
- **Speed:** 2550 rpm
- **Nominal size:** 100 mm
- **Material:** ABS/PP
- **Place of installation:** Wall/ceiling
- **Mounting type:** surface-mounted
- **Fan weight:** 0.48 kg
- **A:** 158 mm
- **B:** 158 mm
- **C:** 53 mm
- **D:** 99 mm
- **E:** 26 mm
- **Mounting hole:** Ø100 mm



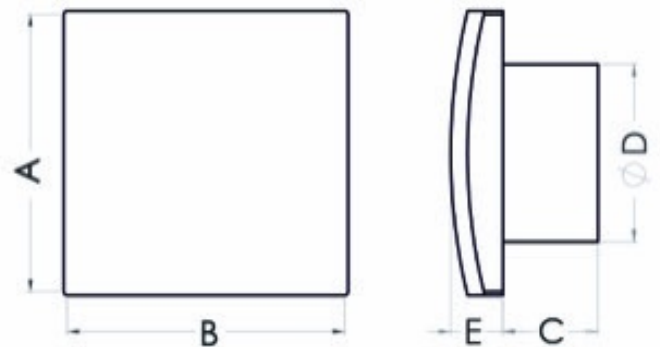
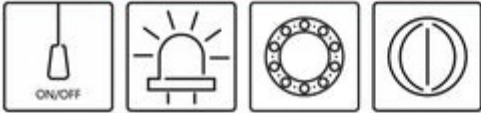


Bathroom fan Aero RK100P+

SKU: 79110112



- **Rated voltage:** 230 V
- **Colour:** white
- **Mains frequency:** 50 Hz
- **Power consumption:** 19 W
- **Air output:** 100 m³/h
- **Bearing type:** ball bearing
- **Degree of protection (IP):** IP-X4
- **Sound pressure level:** 39.5 dB (A)
- **Speed:** 2550 rpm
- **Nominal size:** 100 mm
- **Material:** ABS/PP
- **Installation position:** wall/ceiling
- **Mounting type:** surface-mounted
- **Fan weight:** 0.50 kg
- **A:** 158 mm
- **B:** 158 mm
- **C:** 61 mm
- **D:** 99 mm
- **E:** 26 mm
- **Mounting hole:** Ø100 mm



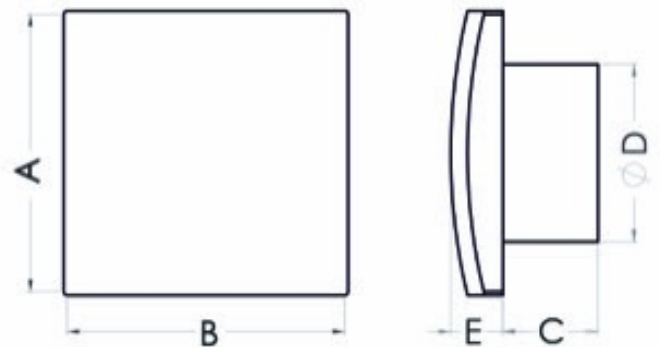


Bathroom fan Aero RK100T

SKU: 79109277



- **Rated voltage:** 230 V
- **Colour:** white
- **Mains frequency:** 50 Hz
- **Power consumption:** 19 W
- **Air output:** 100 m³/h
- **Bearing type:** ball bearing
- **Degree of protection (IP):** IP-X4
- **Sound pressure level:** 39.5 dB (A)
- **Speed:** 2550 rpm
- **Nominal size:** 100 mm
- **Material:** ABS/PP
- **Place of installation:** Wall/ceiling
- **Mounting type:** surface-mounted
- **Fan weight:** 0.48 kg
- **A:** 158 mm
- **B:** 158 mm
- **C:** 53 mm
- **D:** 99 mm
- **E:** 26 mm
- **Mounting hole:** Ø100 mm



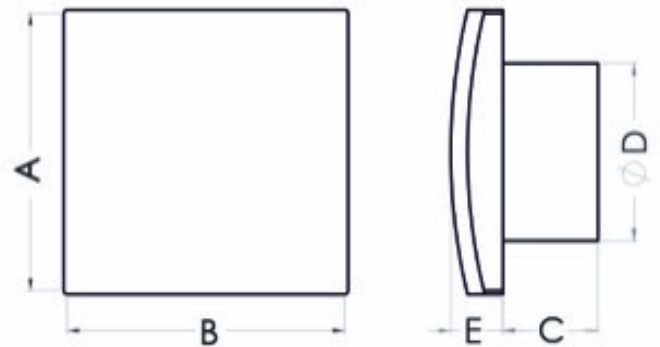


Bathroom fan Aero RK100T+

SKU: 79113426



- **Rated voltage:** 230 V
- **Colour:** white
- **Mains frequency:** 50 Hz
- **Power consumption:** 19 W
- **Air output:** 100 m³/h
- **Bearing type:** ball bearing
- **Degree of protection (IP):** IP-X4
- **Sound pressure level:** 39.5 dB (A)
- **Speed:** 2550 rpm
- **Nominal size:** 100 mm
- **Material:** ABS/PP
- **Installation position:** wall/ceiling
- **Mounting type:** surface-mounted
- **Fan weight:** 0.49 kg
- **A:** 158 mm
- **B:** 158 mm
- **C:** 61 mm
- **D:** 99 mm
- **E:** 26 mm
- **Mounting hole:** Ø100 mm



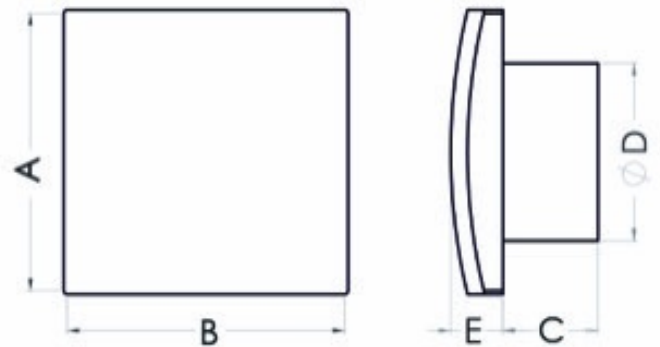


Bathroom fan Aero RS100

SKU: 79113497



- **Rated voltage:** 230 V
- **Colour:** white
- **Mains frequency:** 50 Hz
- **Power consumption:** 19 W
- **Air output:** 100 m³/h
- **Bearing type:** sliding
- **Degree of protection (IP):** IP-X4
- **Sound pressure level:** 39.5 dB (A)
- **Speed:** 2550 rpm
- **Nominal size:** 100 mm
- **Material:** ABS/PP
- **Mounting location:** Wall
- **Mounting type:** surface mounted
- **Fan weight:** 0.53 kg
- **A:** 158 mm
- **B:** 158 mm
- **C:** 53 mm
- **D:** 99 mm
- **E:** 26 mm
- **Mounting hole:** Ø100 mm



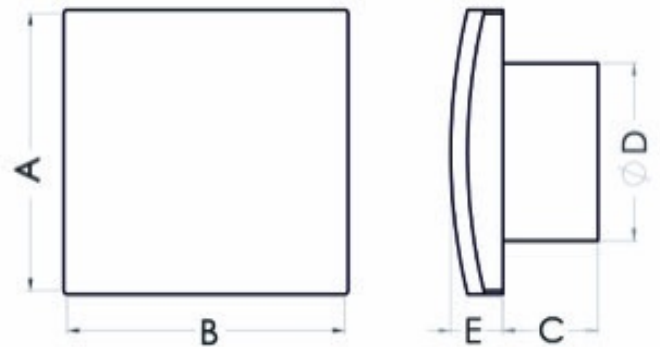


Bathroom fan Aero RS100+

SKU: 79156844



- **Rated voltage:** 230 V
- **Colour:** white
- **Mains frequency:** 50 Hz
- **Power consumption:** 19 W
- **Air output:** 100 m³/h
- **Bearing type:** sliding
- **Degree of protection (IP):** IP-X4
- **Sound pressure level:** 39.5 dB (A)
- **Speed:** 2550 rpm
- **Nominal size:** 100 mm
- **Material:** ABS/PP
- **Mounting location:** Wall
- **Mounting type:** surface mounted
- **Fan weight:** 0.55 kg
- **A:** 158 mm
- **B:** 158 mm
- **C:** 61 mm
- **D:** 99 mm
- **E:** 26 mm
- **Mounting hole:** Ø100 mm



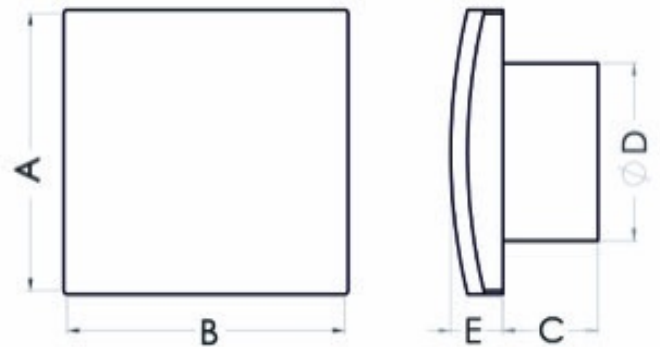


Bathroom fan Aero RS100HT

SKU: 79155319



- **Rated voltage:** 230 V
- **Colour:** white
- **Mains frequency:** 50 Hz
- **Power consumption:** 19 W
- **Air output:** 100 m³/h
- **Bearing type:** sliding
- **Degree of protection (IP):** IP-X4
- **Sound pressure level:** 39.5 dB (A)
- **Speed:** 2550 rpm
- **Nominal size:** 100 mm
- **Material:** ABS/PP
- **Mounting location:** Wall
- **Mounting type:** surface-mounted
- **Fan weight:** 0.46 kg
- **A:** 158 mm
- **B:** 158 mm
- **C:** 53 mm
- **D:** 99 mm
- **E:** 26 mm
- **Mounting hole:** Ø100 mm



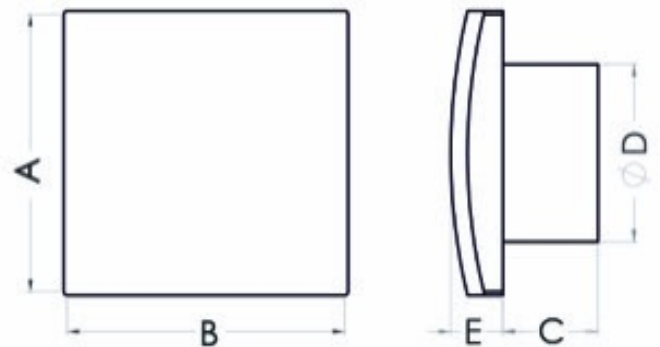


Bathroom fan Aero RS100HT+

SKU: 79165354



- **Rated voltage:** 230 V
- **Colour:** white
- **Mains frequency:** 50 Hz
- **Power consumption:** 19 W
- **Air output:** 100 m³/h
- **Bearing type:** sliding
- **Degree of protection (IP):** IP-X4
- **Sound pressure level:** 39.5 dB (A)
- **Speed:** 2550 rpm
- **Nominal size:** 100 mm
- **Material:** ABS/PP
- **Mounting location:** Wall
- **Mounting type:** surface mounted
- **Fan weight:** 0.48 kg
- **A:** 158 mm
- **B:** 158 mm
- **C:** 61 mm
- **D:** 99 mm
- **E:** 26 mm
- **Mounting hole:** Ø100 mm



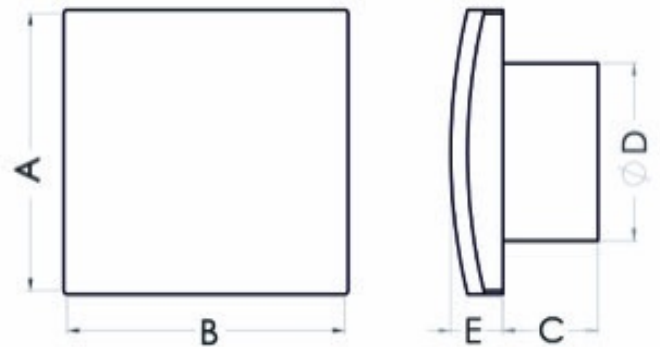


Bathroom fan Aero RS100L

SKU: 79116720



- **Rated voltage:** 230 V
- **Colour:** white
- **Mains frequency:** 50 Hz
- **Power consumption:** 19 W
- **Air output:** 100 m³/h
- **Bearing type:** sliding
- **Degree of protection (IP):** IP-X4
- **Sound pressure level:** 39.5 dB (A)
- **Speed:** 2550 rpm
- **Nominal size:** 100 mm
- **Material:** ABS/PP
- **Mounting location:** Wall
- **Mounting type:** surface-mounted
- **Fan weight:** 0.46 kg
- **A:** 158 mm
- **B:** 158 mm
- **C:** 53 mm
- **D:** 99 mm
- **E:** 26 mm
- **Mounting hole:** Ø100 mm



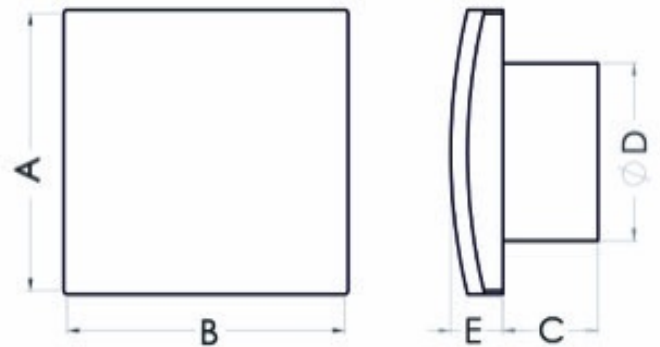


Bathroom fan Aero RS100L+

SKU: 79158929



- **Rated voltage:** 230 V
- **Colour:** white
- **Mains frequency:** 50 Hz
- **Power consumption:** 19 W
- **Air output:** 100 m³/h
- **Bearing type:** sliding
- **Degree of protection (IP):** IP-X4
- **Sound pressure level:** 39.5 dB (A)
- **Speed:** 2550 rpm
- **Nominal size:** 100 mm
- **Material:** ABS/PP
- **Mounting location:** Wall
- **Mounting type:** surface-mounted
- **Fan weight:** 0.47 kg
- **A:** 158 mm
- **B:** 158 mm
- **C:** 61 mm
- **D:** 99 mm
- **E:** 26 mm
- **Mounting hole:** Ø100 mm



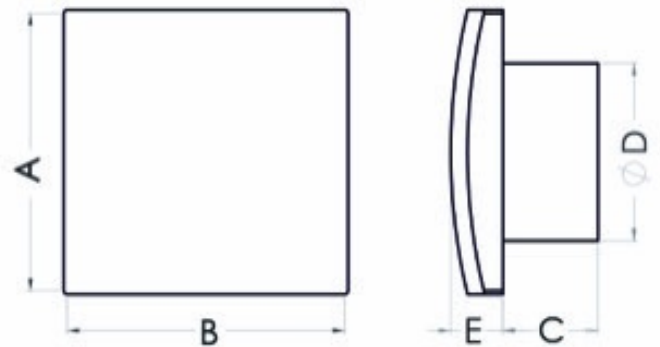


Bathroom fan Aero RS100P

SKU: 79117844



- **Rated voltage:** 230 V
- **Colour:** white
- **Mains frequency:** 50 Hz
- **Power consumption:** 19 W
- **Air output:** 100 m³/h
- **Bearing type:** sliding
- **Degree of protection (IP):** IP-X4
- **Sound pressure level:** 39.5 dB (A)
- **Speed:** 2550 rpm
- **Nominal size:** 100 mm
- **Material:** ABS/PP
- **Mounting location:** Wall
- **Mounting type:** surface mounted
- **Fan weight:** 0.47 kg
- **A:** 158 mm
- **B:** 158 mm
- **C:** 53 mm
- **D:** 99 mm
- **E:** 26 mm
- **Mounting hole:** Ø100 mm



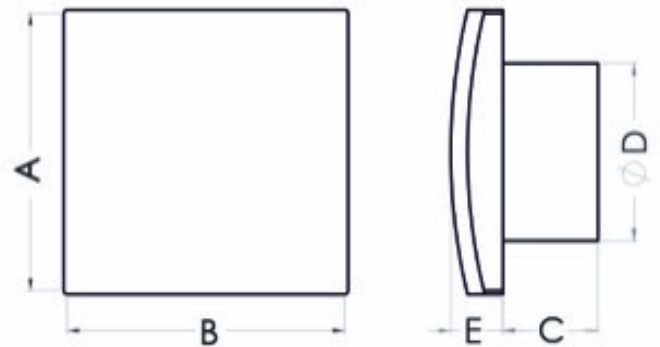


Bathroom fan Aero RS100P+

SKU: 79160402



- **Rated voltage:** 230 V
- **Colour:** white
- **Mains frequency:** 50 Hz
- **Power consumption:** 19 W
- **Air output:** 100 m³/h
- **Bearing type:** sliding
- **Degree of protection (IP):** IP-X4
- **Sound pressure level:** 39.5 dB (A)
- **Speed:** 2550 rpm
- **Nominal size:** 100 mm
- **Material:** ABS/PP
- **Mounting location:** Wall
- **Mounting type:** surface mounted
- **Fan weight:** 0.48 kg
- **A:** 158 mm
- **B:** 158 mm
- **C:** 61 mm
- **D:** 99 mm
- **E:** 26 mm
- **Mounting hole:** Ø100 mm



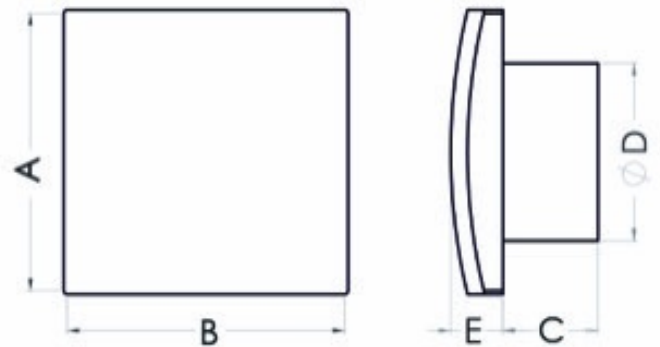


Bathroom fan Aero RS100T

SKU: 79118902



- **Rated voltage:** 230 V
- **Colour:** white
- **Mains frequency:** 50 Hz
- **Power consumption:** 19 W
- **Air output:** 100 m³/h
- **Bearing type:** sliding
- **Degree of protection (IP):** IP-X4
- **Sound pressure level:** 39.5 dB (A)
- **Speed:** 2550 rpm
- **Nominal size:** 100 mm
- **Material:** ABS/PP
- **Mounting location:** Wall
- **Mounting type:** surface mounted
- **Fan weight:** 0.46 kg
- **A:** 158 mm
- **B:** 158 mm
- **C:** 53 mm
- **D:** 99 mm
- **E:** 26 mm
- **Mounting hole:** Ø100 mm



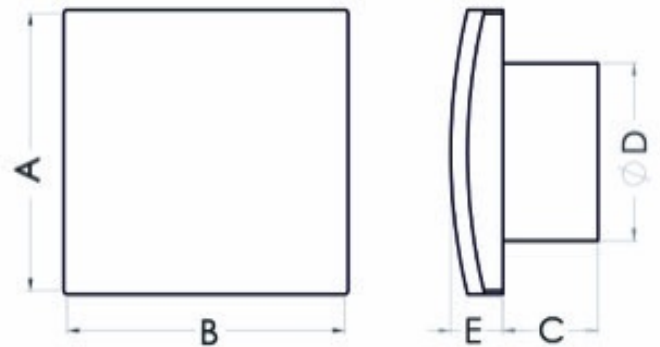


Bathroom fan Aero RS100T+

SKU: 79163280



- **Rated voltage:** 230 V
- **Colour:** white
- **Mains frequency:** 50 Hz
- **Power consumption:** 19 W
- **Air output:** 100 m³/h
- **Bearing type:** sliding
- **Degree of protection (IP):** IP-X4
- **Sound pressure level:** 39.5 dB (A)
- **Speed:** 2550 rpm
- **Nominal size:** 100 mm
- **Material:** ABS/PP
- **Mounting location:** Wall
- **Mounting type:** surface mounted
- **Fan weight:** 0.48 kg
- **A:** 158 mm
- **B:** 158 mm
- **C:** 61 mm
- **D:** 99 mm
- **E:** 26 mm
- **Mounting hole:** Ø100 mm



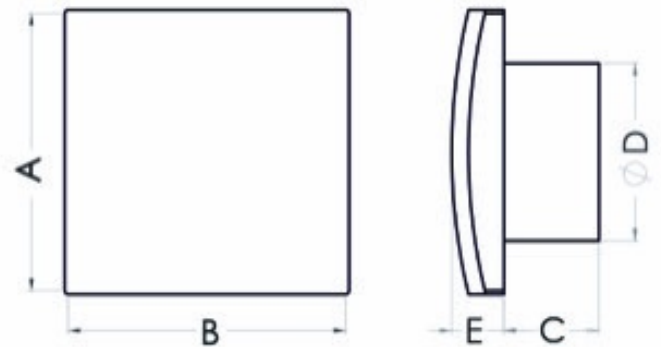


Bathroom fan Aero VK100

SKU: 79168042



- **Rated voltage:** 230 V
- **Colour:** white
- **Mains frequency:** 50 Hz
- **Power consumption:** 19 W
- **Air output:** 100 m³/h
- **Bearing type:** ball bearing
- **Degree of protection (IP):** IP-X4
- **Sound pressure level:** 39.5 dB (A)
- **Speed:** 2550 rpm
- **Nominal size:** 100 mm
- **Material:** ABS/PP
- **Place of installation:** Wall/ceiling
- **Mounting type:** surface-mounted
- **Fan weight:** 0.53 kg
- **A:** 158 mm
- **B:** 158 mm
- **C:** 53 mm
- **D:** 99 mm
- **E:** 25 mm
- **Mounting hole:** Ø100 mm



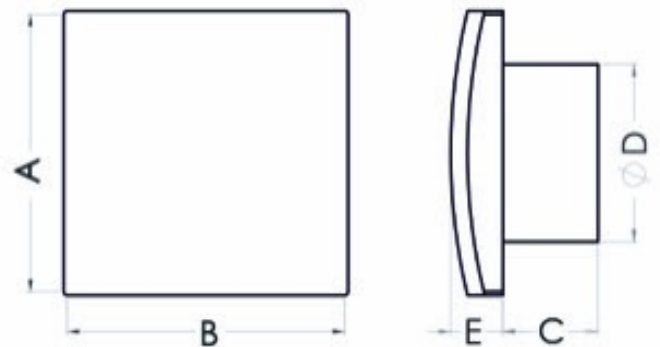


Bathroom fan Aero VK100+

SKU: 80185112



- **Rated voltage:** 230 V
- **Colour:** white
- **Mains frequency:** 50 Hz
- **Power consumption:** 19 W
- **Air output:** 100 m³/h
- **Bearing type:** ball bearing
- **Degree of protection (IP):** IP-X4
- **Sound pressure level:** 39.5 dB (A)
- **Speed:** 2550 rpm
- **Nominal size:** 100 mm
- **Material:** ABS/PP
- **Place of installation:** Wall/ceiling
- **Mounting type:** surface-mounted
- **Fan weight:** 0.55 kg
- **A:** 158 mm
- **B:** 158 mm
- **C:** 61 mm
- **D:** 99 mm
- **E:** 25 mm
- **Mounting hole:** Ø100 mm



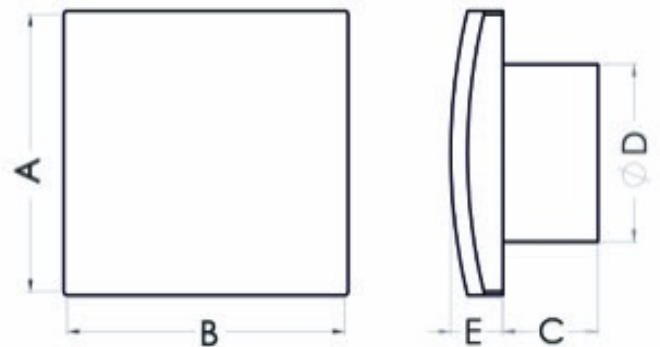


Bathroom fan Aero VK100HT

SKU: 79196859



- **Rated voltage:** 230 V
- **Colour:** white
- **Mains frequency:** 50 Hz
- **Power consumption:** 19 W
- **Air output:** 100 m3/h
- **Bearing type:** ball bearing
- **Degree of protection (IP):** IP-X4
- **Sound pressure level:** 39.5 dB (A)
- **Speed:** 2550 rpm
- **Nominal size:** 100 mm
- **Material:** ABS/PP
- **Place of installation:** Wall/ceiling
- **Mountingtype:** surface-mounted
- **Fan weight:** 0.47 kg
- **A:** 158 mm
- **B:** 158 mm
- **C:** 53 mm
- **D:** 99 mm
- **E:** 25 mm
- **Mounting hole:** Ø100 mm



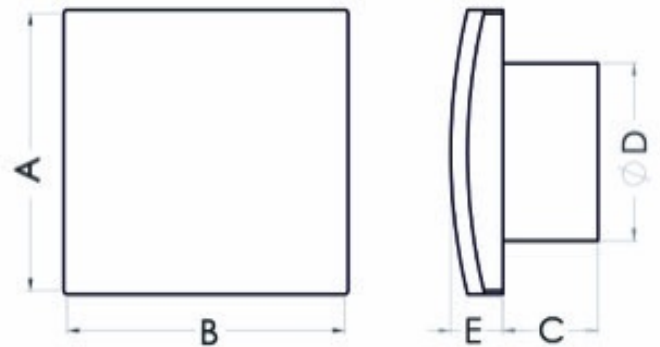


Bathroom fan Aero VK100HT+

SKU: 80210298



- **Rated voltage:** 230 V
- **Colour:** white
- **Mains frequency:** 50 Hz
- **Power consumption:** 19 W
- **Air output:** 100 m³/h
- **Bearing type:** ball bearing
- **Degree of protection (IP):** IP-X4
- **Sound pressure level:** 39.5 dB (A)
- **Speed:** 2550 rpm
- **Nominal size:** 100 mm
- **Material:** ABS/PP
- **Place of installation:** Wall/ceiling
- **Mounting type:** surface-mounted
- **Fan weight:** 0.48 kg
- **A:** 158 mm
- **B:** 158 mm
- **C:** 61 mm
- **D:** 99 mm
- **E:** 25 mm
- **Mounting hole:** Ø100 mm



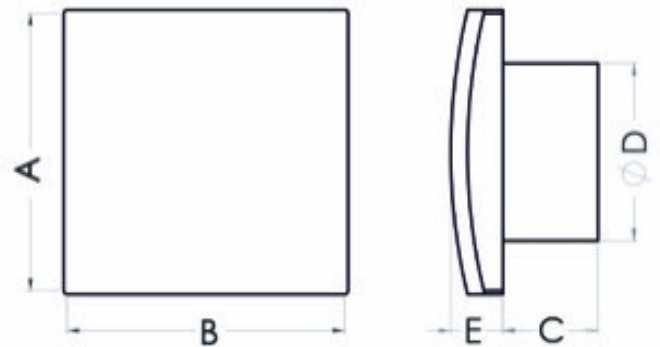


Bathroom fan Aero VK100L

SKU: 79170516



- **Rated voltage:** 230 V
- **Colour:** white
- **Mains frequency:** 50 Hz
- **Power consumption:** 19 W
- **Air output:** 100 m³/h
- **Bearing type:** ball bearing
- **Degree of protection (IP):** IP-X4
- **Sound pressure level:** 39.5 dB (A)
- **Speed:** 2550 rpm
- **Nominal size:** 100 mm
- **Material:** ABS/PP
- **Place of installation:** Wall/ceiling
- **Mounting type:** surface-mounted
- **Fan weight:** 0.46 kg
- **A:** 158 mm
- **B:** 158 mm
- **C:** 53 mm
- **D:** 99 mm
- **E:** 25 mm
- **Mounting hole:** Ø100 mm



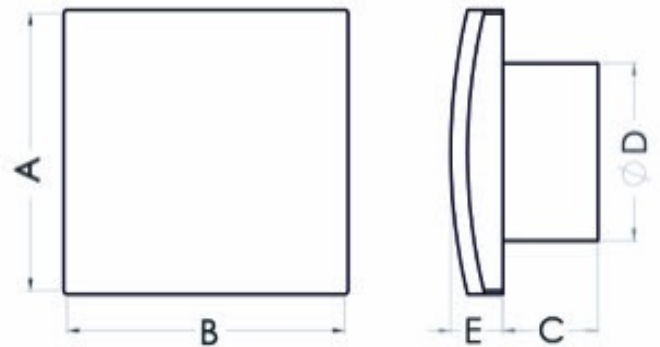


Bathroom fan Aero VK100L+

SKU: 80195547



- **Rated voltage:** 230 V
- **Colour:** white
- **Mains frequency:** 50 Hz
- **Power consumption:** 19 W
- **Air output:** 100 m³/h
- **Bearing type:** ball bearing
- **Degree of protection (IP):** IP-X4
- **Sound pressure level:** 39.5 dB (A)
- **Speed:** 2550 rpm
- **Nominal size:** 100 mm
- **Material:** ABS/PP
- **Place of installation:** Wall/ceiling
- **Mounting type:** surface-mounted
- **Fan weight:** 0.47 kg
- **A:** 158 mm
- **B:** 158 mm
- **C:** 61 mm
- **D:** 99 mm
- **E:** 25 mm
- **Mounting hole:** Ø100 mm



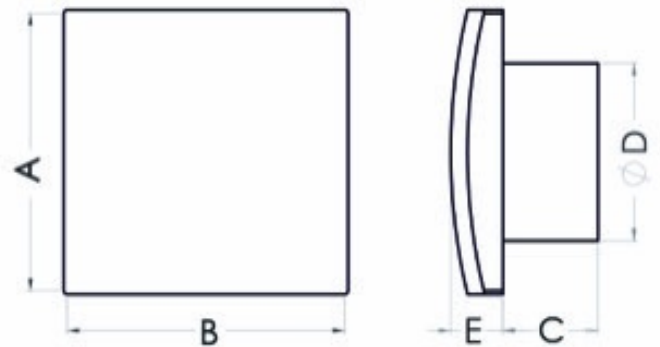


Bathroom fan Aero VK100P

SKU: 79176547



- **Rated voltage:** 230 V
- **Colour:** white
- **Mains frequency:** 50 Hz
- **Power consumption:** 19 W
- **Air output:** 100 m³/h
- **Bearing type:** ball bearing
- **Degree of protection (IP):** IP-X4
- **Sound pressure level:** 39.5 dB (A)
- **Speed:** 2550 rpm
- **Nominal size:** 100 mm
- **Material:** ABS/PP
- **Place of installation:** Wall/ceiling
- **Mounting type:** surface-mounted
- **Fan weight:** 0.47 kg
- **A:** 158 mm
- **B:** 158 mm
- **C:** 53 mm
- **D:** 99 mm
- **E:** 25 mm
- **Mounting hole:** Ø100 mm



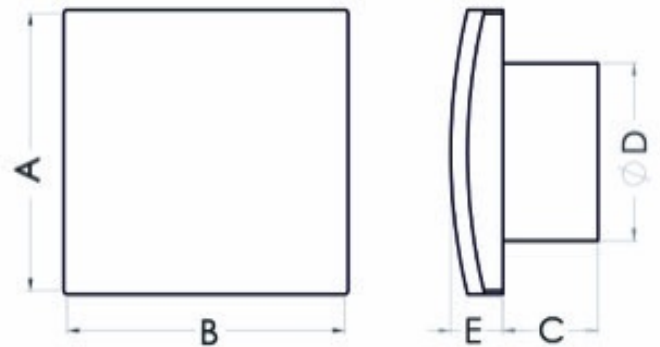
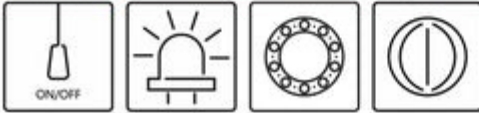


Bathroom fan Aero VK100P+

SKU: 80205517



- **Rated voltage:** 230 V
- **Colour:** white
- **Mains frequency:** 50 Hz
- **Power consumption:** 19 W
- **Air output:** 100 m³/h
- **Bearing type:** ball bearing
- **Degree of protection (IP):** IP-X4
- **Sound pressure level:** 39.5 dB (A)
- **Speed:** 2550 rpm
- **Nominal size:** 100 mm
- **Material:** ABS/PP
- **Place of installation:** Wall/ceiling
- **Mounting type:** surface-mounted
- **Fan weight:** 0.49 kg
- **A:** 158 mm
- **B:** 158 mm
- **C:** 61 mm
- **D:** 99 mm
- **E:** 25 mm
- **Mounting hole:** Ø100 mm



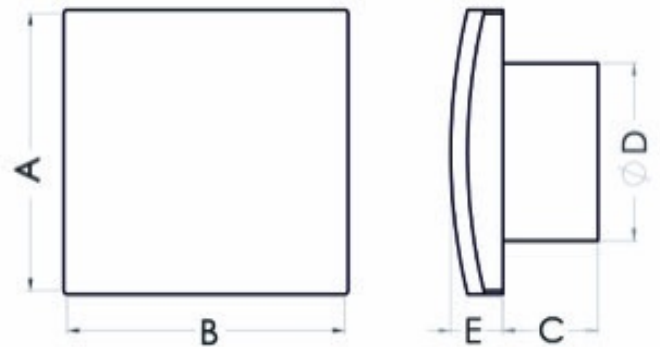


Bathroom fan Aero VK100T

SKU: 79192579



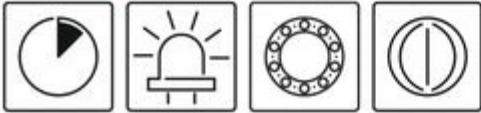
- **Rated voltage:** 230 V
- **Colour:** white
- **Mains frequency:** 50 Hz
- **Power consumption:** 19 W
- **Air output:** 100 m³/h
- **Bearing type:** ball bearing
- **Degree of protection (IP):** IP-X4
- **Sound pressure level:** 39.5 dB (A)
- **Speed:** 2550 rpm
- **Nominal size:** 100 mm
- **Material:** ABS/PP
- **Place of installation:** Wall/ceiling
- **Mounting type:** surface-mounted
- **Fan weight:** 0.47 kg
- **A:** 158 mm
- **B:** 158 mm
- **C:** 53 mm
- **D:** 99 mm
- **E:** 25 mm
- **Mounting hole:** Ø100 mm



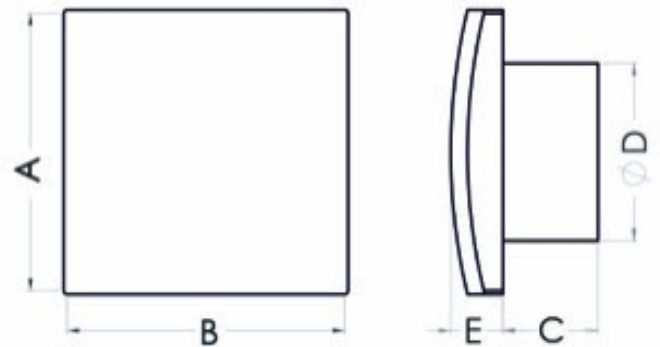


Bathroom fan Aero VK100T+

SKU: 80208187



- **Rated voltage:** 230 V
- **Colour:** white
- **Mains frequency:** 50 Hz
- **Power consumption:** 19 W
- **Air output:** 100 m³/h
- **Bearing type:** ball bearing
- **Degree of protection (IP):** IP-X4
- **Sound pressure level:** 39.5 dB (A)
- **Speed:** 2550 rpm
- **Nominal size:** 100 mm
- **Material:** ABS/PP
- **Place of installation:** Wall/ceiling
- **Mounting type:** surface-mounted
- **Fan weight:** 0.48 kg
- **A:** 158 mm
- **B:** 158 mm
- **C:** 61 mm
- **D:** 99 mm
- **E:** 25 mm
- **Mounting hole:** Ø100 mm



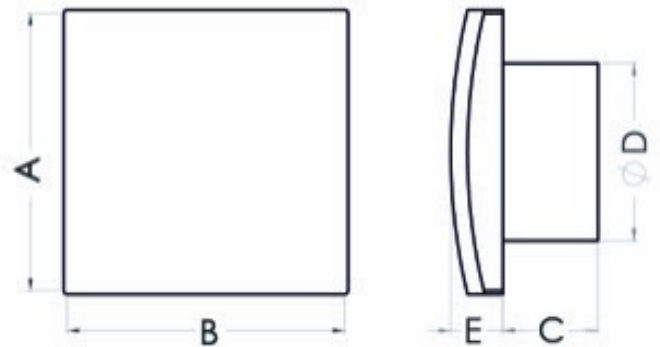


Bathroom fan Aero VS100

SKU: 80213417



- **Rated voltage:** 230 V
- **Colour:** white
- **Mains frequency:** 50 Hz
- **Power consumption:** 19 W
- **Air output:** 100 m³/h
- **Bearing type:** sliding
- **Degree of protection (IP):** IP-X4
- **Sound pressure level:** 39.5 dB (A)
- **Speed:** 2550 rpm
- **Nominal size:** 100 mm
- **Material:** ABS/PP
- **Mounting location:** Wall
- **Mounting type:** surface mounted
- **Fan weight:** 0.52 kg
- **A:** 158 mm
- **B:** 158 mm
- **C:** 53 mm
- **D:** 99 mm
- **E:** 25 mm
- **Mounting hole:** Ø100 mm



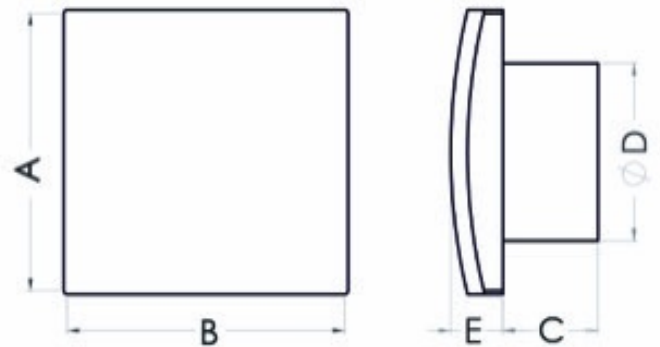


Bathroom fan Aero VS100+

SKU: 80254693



- **Rated voltage:** 230 V
- **Colour:** white
- **Mains frequency:** 50 Hz
- **Power consumption:** 19 W
- **Air output:** 100 m³/h
- **Bearing type:** sliding
- **Degree of protection (IP):** IP-X4
- **Sound pressure level:** 39.5 dB (A)
- **Speed:** 2550 rpm
- **Nominal size:** 100 mm
- **Material:** ABS/PP
- **Mounting location:** Wall
- **Mounting type:** surface mounted
- **Fan weight:** 0.53 kg
- **A:** 158 mm
- **B:** 158 mm
- **C:** 61 mm
- **D:** 99 mm
- **E:** 25 mm
- **Mounting hole:** Ø100 mm



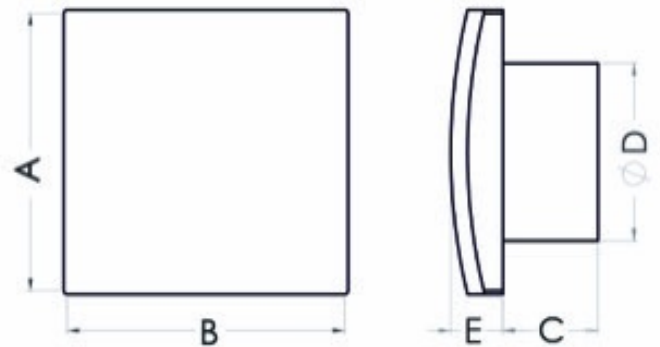


Bathroom fan Aero VS100HT

SKU: 80243587



- **Rated voltage:** 230 V
- **Colour:** white
- **Mains frequency:** 50 Hz
- **Power consumption:** 19 W
- **Air output:** 100 m³/h
- **Bearing type:** sliding
- **Degree of protection (IP):** IP-X4
- **Sound pressure level:** 39.5 dB (A)
- **Speed:** 2550 rpm
- **Nominal size:** 100 mm
- **Material:** ABS/PP
- **Mounting location:** Wall
- **Mounting type:** surface mounted
- **Fan weight:** 0.45 kg
- **A:** 158 mm
- **B:** 158 mm
- **C:** 53 mm
- **D:** 99 mm
- **E:** 25 mm
- **Mounting hole:** Ø100 mm



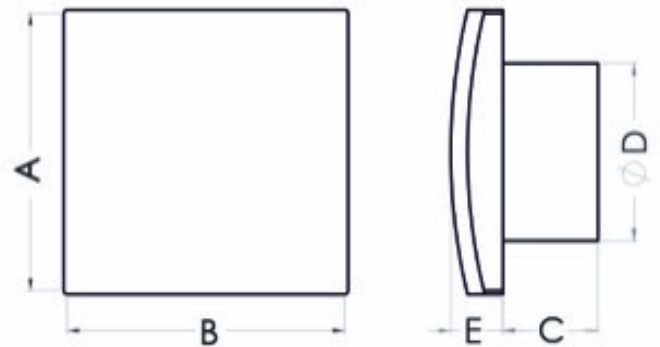


Bathroom fan Aero VS100HT+

SKU: 80598934



- **Rated voltage:** 230 V
- **Colour:** white
- **Mains frequency:** 50 Hz
- **Power consumption:** 19 W
- **Air output:** 100 m³/h
- **Bearing type:** sliding
- **Degree of protection (IP):** IP-X4
- **Sound pressure level:** 39.5 dB (A)
- **Speed:** 2550 rpm
- **Nominal size:** 100 mm
- **Material:** ABS/PP
- **Mounting location:** Wall
- **Mounting type:** surface mounted
- **Fan weight:** 0.47 kg
- **A:** 158 mm
- **B:** 158 mm
- **C:** 61 mm
- **D:** 99 mm
- **E:** 25 mm
- **Mounting hole:** Ø100 mm



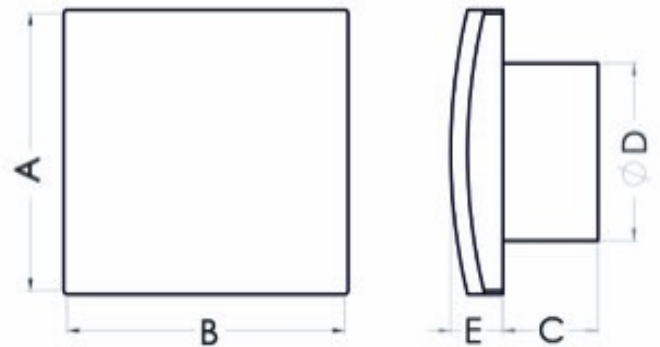


Bathroom fan Aero VS100L

SKU: 80216432



- **Rated voltage:** 230 V
- **Colour:** white
- **Mains frequency:** 50 Hz
- **Power consumption:** 19 W
- **Air output:** 100 m³/h
- **Bearing type:** sliding
- **Degree of protection (IP):** IP-X4
- **Sound pressure level:** 39.5 dB (A)
- **Speed:** 2550 rpm
- **Nominal size:** 100 mm
- **Material:** ABS/PP
- **Mounting location:** Wall
- **Mounting type:** surface mounted
- **Fan weight:** 0.44 kg
- **A:** 158 mm
- **B:** 158 mm
- **C:** 53 mm
- **D:** 99 mm
- **E:** 25 mm
- **Mounting hole:** Ø100 mm



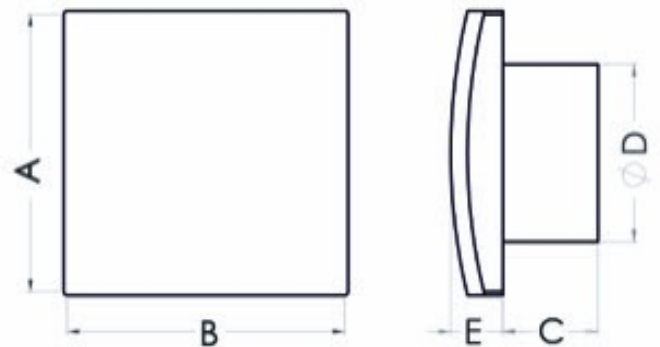


Bathroom fan Aero VS100L+

SKU: 80597807



- **Rated voltage:** 230 V
- **Colour:** white
- **Mains frequency:** 50 Hz
- **Power consumption:** 19 W
- **Air output:** 100 m³/h
- **Bearing type:** sliding
- **Degree of protection (IP):** IP-X4
- **Sound pressure level:** 39.5 dB (A)
- **Speed:** 2550 rpm
- **Nominal size:** 100 mm
- **Material:** ABS/PP
- **Mounting location:** Wall
- **Mounting type:** surface mounted
- **Fan weight:** 0.46 kg
- **A:** 158 mm
- **B:** 158 mm
- **C:** 61 mm
- **D:** 99 mm
- **E:** 25 mm
- **Mounting hole:** Ø100 mm



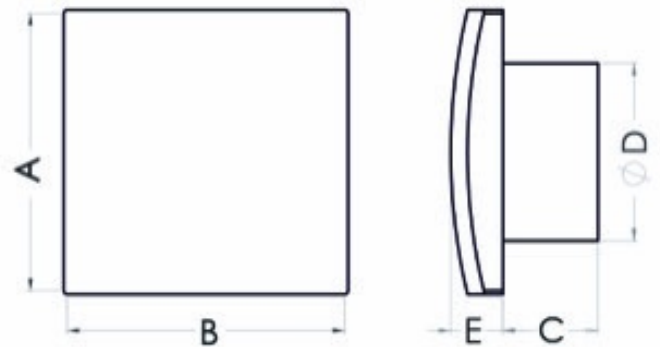


Bathroom fan Aero VS100P

SKU: 80239426



- **Rated voltage:** 230 V
- **Colour:** white
- **Mains frequency:** 50 Hz
- **Power consumption:** 19 W
- **Air output:** 100 m³/h
- **Bearing type:** sliding
- **Degree of protection (IP):** IP-X4
- **Sound pressure level:** 39.5 dB (A)
- **Speed:** 2550 rpm
- **Nominal size:** 100 mm
- **Material:** ABS/PP
- **Mounting location:** Wall
- **Mounting type:** surface mounted
- **Fan weight:** 0.46 kg
- **A:** 158 mm
- **B:** 158 mm
- **C:** 53 mm
- **D:** 99 mm
- **E:** 25 mm
- **Mounting hole:** Ø100 mm



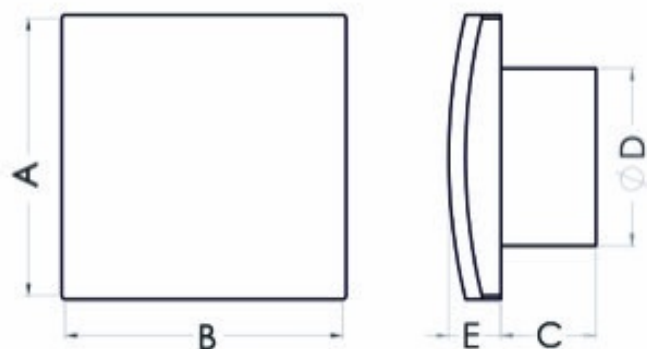


Bathroom fan Aero VS100P+

SKU: 80598423



- **Rated voltage:** 230 V
- **Colour:** white
- **Mains frequency:** 50 Hz
- **Power consumption:** 19 W
- **Air output:** 100 m³/h
- **Bearing type:** sliding
- **Degree of protection (IP):** IP-X4
- **Sound pressure level:** 39.5 dB (A)
- **Speed:** 2550 rpm
- **Nominal size:** 100 mm
- **Material:** ABS/PP
- **Mounting location:** Wall
- **Mounting type:** surface-mounted
- **Fan weight:** 0.47 kg
- **A:** 158 mm
- **B:** 158 mm
- **C:** 61 mm
- **D:** 99 mm
- **E:** 25 mm
- **Mounting hole:** Ø100 mm



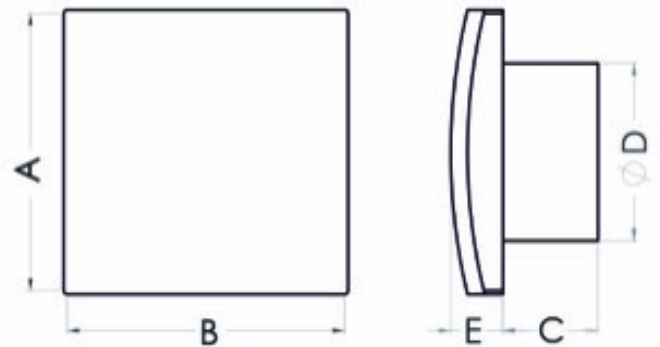


Bathroom fan Aero VS100T

SKU: 80241355



- **Rated voltage:** 230 V
- **Colour:** white
- **Mains frequency:** 50 Hz
- **Power consumption:** 19 W
- **Air output:** 100 m³/h
- **Bearing type:** sliding
- **Degree of protection (IP):** IP-X4
- **Sound pressure level:** 39.5 dB (A)
- **Speed:** 2550 rpm
- **Nominal size:** 100 mm
- **Material:** ABS/PP
- **Mounting location:** Wall
- **Mounting type:** surface mounted
- **Fan weight:** 0.45 kg
- **A:** 158 mm
- **B:** 158 mm
- **C:** 53 mm
- **D:** 99 mm
- **E:** 25 mm
- **Mounting hole:** Ø100 mm



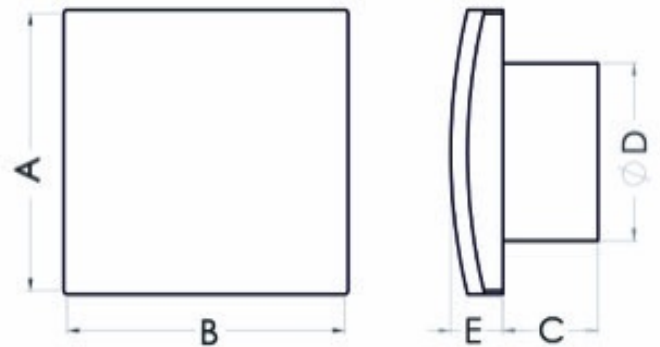


Bathroom fan Aero VS100T+

SKU: 80598648



- **Rated voltage:** 230 V
- **Colour:** white
- **Mains frequency:** 50 Hz
- **Power consumption:** 19 W
- **Air output:** 100 m³/h
- **Bearing type:** sliding
- **Degree of protection (IP):** IP-X4
- **Sound pressure level:** 39.5 dB (A)
- **Speed:** 2550 rpm
- **Nominal size:** 100 mm
- **Material:** ABS/PP
- **Mounting location:** Wall
- **Mounting type:** surface mounted
- **Fan weight:** 0.47 kg
- **A:** 158 mm
- **B:** 158 mm
- **C:** 61 mm
- **D:** 99 mm
- **E:** 25 mm
- **Mounting hole:** Ø100 mm



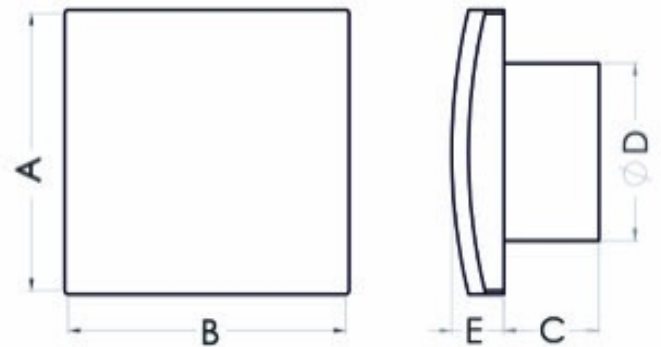


Bathroom fan Atol 100A

SKU: 80777178



- **Rated voltage:** 230 V
- **Colour:** white
- **Mains frequency:** 50 Hz
- **Power consumption:** 19 W
- **Air output:** 100 m³/h
- **Bearing type:** sliding
- **Degree of protection (IP):** IP-X4
- **Sound pressure level:** 39.5 dB (A)
- **Speed:** 2550 rpm
- **Nominal size:** 100 mm
- **Material:** ABS/PP
- **Mounting location:** Wall
- **Mounting type:** surface-mounted
- **Fan weight:** 0.59 kg
- **A:** 155 mm
- **B:** 155 mm
- **C:** 66 mm
- **D:** 99 mm
- **E:** 30 mm
- **Mounting hole:** Ø100 mm



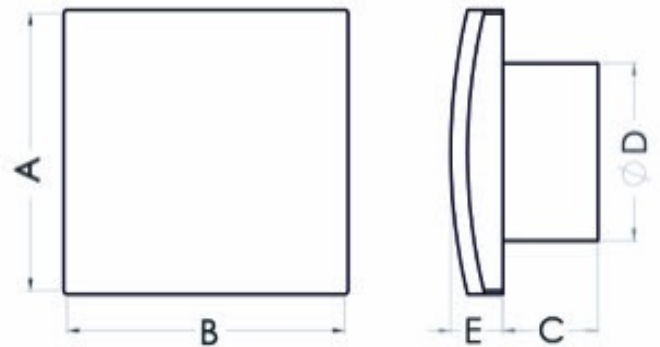


Bathroom fan Atol 100AB

SKU: 80778485



- **Rated voltage:** 230 V
- **Colour:** white
- **Mains frequency:** 50 Hz
- **Power consumption:** 19 W
- **Air output:** 100 m³/h
- **Bearing type:** sliding
- **Degree of protection (IP):** IP-X4
- **Sound pressure level:** 39.5 dB (A)
- **Speed:** 2550 rpm
- **Nominal size:** 100 mm
- **Material:** ABS/PP
- **Mounting location:** Wall
- **Mounting type:** surface mounted
- **Fan weight:** 0.52 kg
- **A:** 155 mm
- **B:** 155 mm
- **C:** 66 mm
- **D:** 99 mm
- **E:** 30 mm
- **Mounting hole:** Ø100 mm



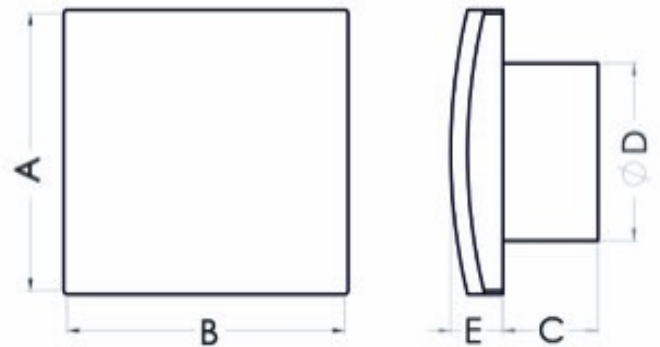


Bathroom fan Atol 100ABGF

SKU: 81706431



- **Rated voltage:** 230 V
- **Colour:** gold
- **Mains frequency:** 50 Hz
- **Power consumption:** 19 W
- **Air output:** 100 m³/h
- **Bearing type:** sliding
- **Degree of protection (IP):** IP-X4
- **Sound pressure level:** 39.5 dB (A)
- **Speed:** 2550 rpm
- **Nominal size:** 100 mm
- **Material:** ABS/PP
- **Mounting location:** Wall
- **Mounting type:** surface mounted
- **Fan weight:** 0.52 kg
- **A:** 155 mm
- **B:** 155 mm
- **C:** 66 mm
- **D:** 99 mm
- **E:** 30 mm
- **Mounting hole:** Ø100 mm



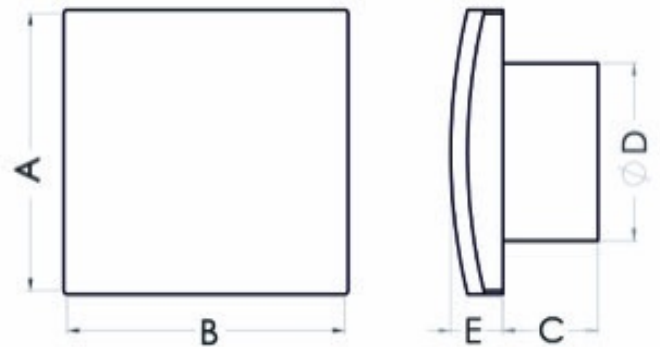


Bathroom fan Atol 100ABSF

SKU: 81416510



- **Rated voltage:** 230 V
- **Colour:** silver
- **Mains frequency:** 50 Hz
- **Power consumption:** 19 W
- **Air output:** 100 m³/h
- **Bearing type:** sliding
- **Degree of protection (IP):** IP-X4
- **Sound pressure level:** 39.5 dB (A)
- **Speed:** 2550 rpm
- **Nominal size:** 100 mm
- **Material:** ABS/PP
- **Mounting location:** Wall
- **Mounting type:** surface mounted
- **Fan weight:** 0.52 kg
- **A:** 155 mm
- **B:** 155 mm
- **C:** 66 mm
- **D:** 99 mm
- **E:** 30 mm
- **Mounting hole:** Ø100 mm



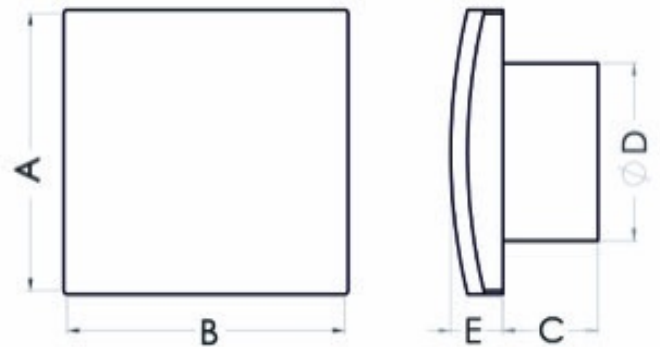


Bathroom fan Atol 100AFT

SKU: 80783105



- **Rated voltage:** 230 V
- **Colour:** white
- **Mains frequency:** 50 Hz
- **Power consumption:** 19 W
- **Air output:** 100 m³/h
- **Bearing type:** sliding
- **Degree of protection (IP):** IP-X4
- **Sound pressure level:** 39.5 dB (A)
- **Speed:** 2550 rpm
- **Nominal size:** 100 mm
- **Material:** ABS/PP
- **Mounting location:** Wall
- **Mounting type:** surface mounted
- **Fan weight:** 0.53 kg
- **A:** 155 mm
- **B:** 155 mm
- **C:** 66 mm
- **D:** 99 mm
- **E:** 30 mm
- **Mounting hole:** Ø100 mm



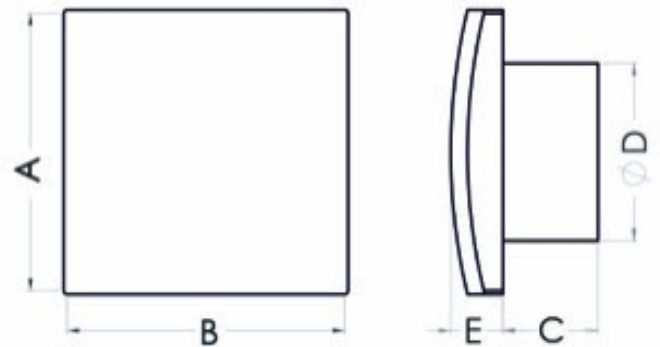


Bathroom fan Atol 100AFTGF

SKU: 81738910



- **Rated voltage:** 230 V
- **Colour:** gold
- **Mains frequency:** 50 Hz
- **Power consumption:** 19 W
- **Air output:** 100 m³/h
- **Bearing type:** sliding
- **Degree of protection (IP):** IP-X4
- **Sound pressure level:** 39.5 dB (A)
- **Speed:** 2550 rpm
- **Nominal size:** 100 mm
- **Material:** ABS/PP
- **Mounting location:** Wall
- **Mounting type:** surface mounted
- **Fan weight:** 0.53 kg
- **A:** 155 mm
- **B:** 155 mm
- **C:** 66 mm
- **D:** 99 mm
- **E:** 30 mm
- **Mounting hole:** Ø100 mm



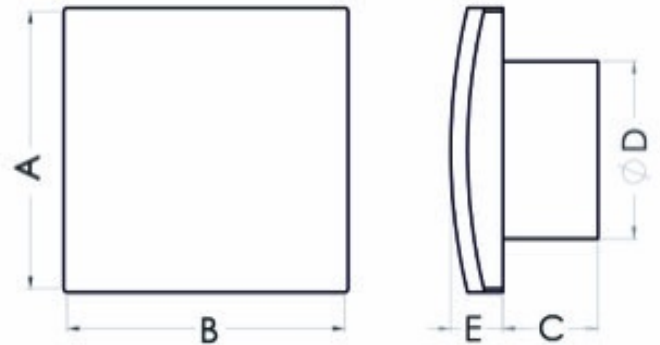


Bathroom fan Atol 100AFTSF

SKU: 81427874



- **Rated voltage:** 230 V
- **Colour:** silver
- **Mains frequency:** 50 Hz
- **Power consumption:** 19 W
- **Air output:** 100 m³/h
- **Bearing type:** sliding
- **Degree of protection (IP):** IP-X4
- **Sound pressure level:** 39.5 dB (A)
- **Speed:** 2550 rpm
- **Nominal size:** 100 mm
- **Material:** ABS/PP
- **Mounting location:** Wall
- **Mounting type:** surface mounted
- **Fan weight:** 0.53 kg
- **A:** 155 mm
- **B:** 155 mm
- **C:** 66 mm
- **D:** 99 mm
- **E:** 30 mm
- **Mounting hole:** Ø100 mm



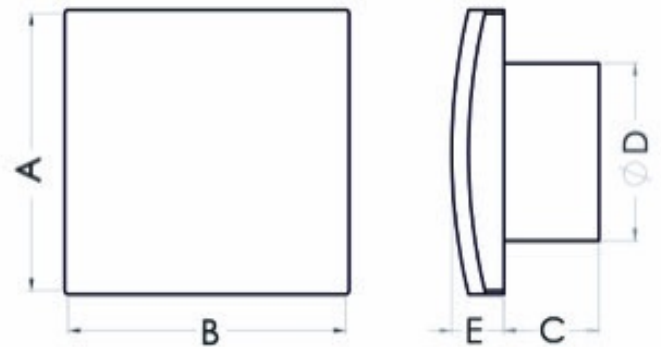


Bathroom fan Atol 100AGF

SKU: 81706209



- **Rated voltage:** 230 V
- **Colour:** gold
- **Mains frequency:** 50 Hz
- **Power consumption:** 19 W
- **Air output:** 100 m³/h
- **Bearing type:** sliding
- **Degree of protection (IP):** IP-X4
- **Sound pressure level:** 39.5 dB (A)
- **Speed:** 2550 rpm
- **Nominal size:** 100 mm
- **Material:** ABS/PP
- **Mounting location:** Wall
- **Mounting type:** surface-mounted
- **Fan weight:** 0.59 kg
- **A:** 155 mm
- **B:** 155 mm
- **C:** 66 mm
- **D:** 99 mm
- **E:** 30 mm
- **Mounting hole:** Ø100 mm



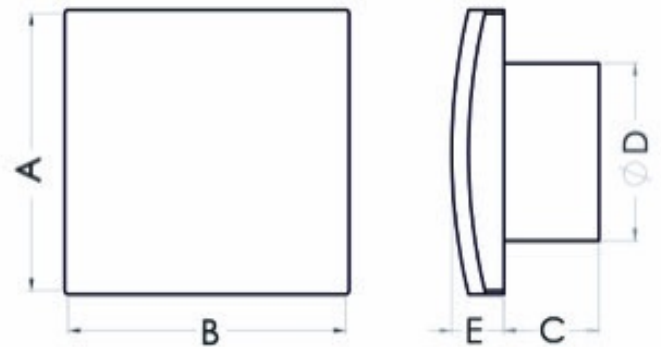


Bathroom fan Atol 100AHT

SKU: 80787040



- **Rated voltage:** 230 V
- **Colour:** white
- **Mains frequency:** 50 Hz
- **Power consumption:** 19 W
- **Air output:** 100 m³/h
- **Bearing type:** sliding
- **Degree of protection (IP):** IP-X4
- **Sound pressure level:** 39.5 dB (A)
- **Speed:** 2550 rpm
- **Nominal size:** 100 mm
- **Material:** ABS/PP
- **Mounting location:** Wall
- **Mounting type:** surface mounted
- **Fan weight:** 0.53 kg
- **A:** 155 mm
- **B:** 155 mm
- **C:** 66 mm
- **D:** 99 mm
- **E:** 30 mm
- **Mounting hole:** Ø100 mm



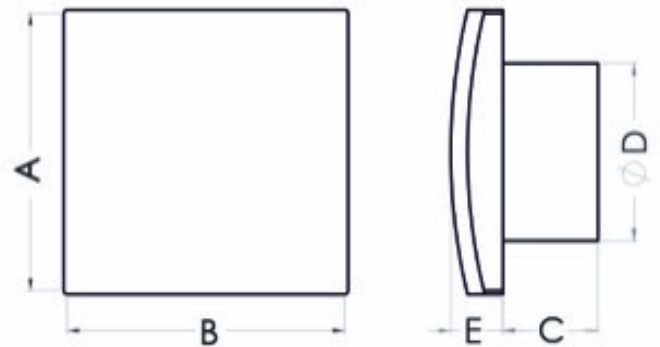


Bathroom fan Atol 100AHTGF

SKU: 81745577



- **Rated voltage:** 230 V
- **Colour:** gold
- **Mains frequency:** 50 Hz
- **Power consumption:** 19 W
- **Air output:** 100 m³/h
- **Bearing type:** sliding
- **Degree of protection (IP):** IP-X4
- **Sound pressure level:** 39.5 dB (A)
- **Speed:** 2550 rpm
- **Nominal size:** 100 mm
- **Material:** ABS/PP
- **Mounting location:** Wall
- **Mounting type:** surface mounted
- **Fan weight:** 0.53 kg
- **A:** 155 mm
- **B:** 155 mm
- **C:** 66 mm
- **D:** 99 mm
- **E:** 30 mm
- **Mounting hole:** Ø100 mm



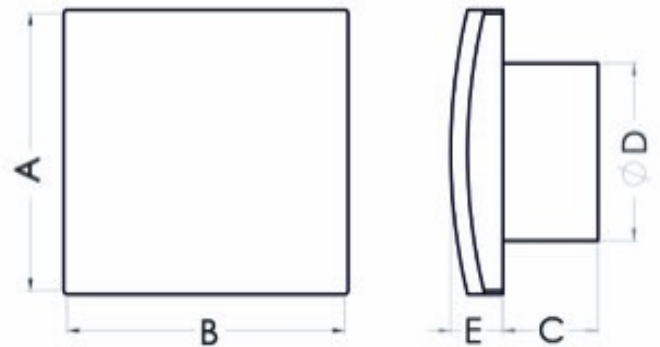


Bathroom fan Atol 100AHTSF

SKU: 81447425



- **Rated voltage:** 230 V
- **Colour:** silver
- **Mains frequency:** 50 Hz
- **Power consumption:** 19 W
- **Air output:** 100 m³/h
- **Bearing type:** sliding
- **Degree of protection (IP):** IP-X4
- **Sound pressure level:** 39.5 dB (A)
- **Speed:** 2550 rpm
- **Nominal size:** 100 mm
- **Material:** ABS/PP
- **Mounting location:** Wall
- **Mounting type:** surface mounted
- **Fan weight:** 0.53 kg
- **A:** 155 mm
- **B:** 155 mm
- **C:** 66 mm
- **D:** 99 mm
- **E:** 30 mm
- **Mounting hole:** Ø100 mm



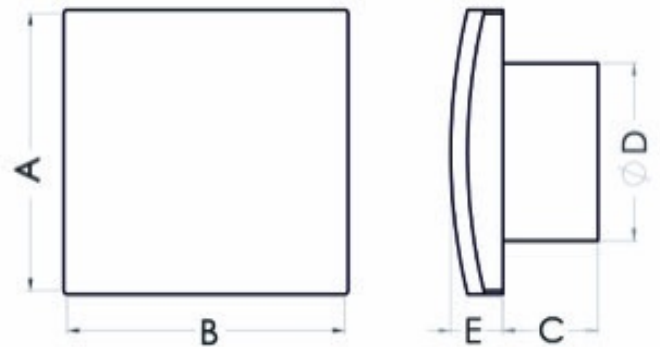


Bathroom fan Atol 100ASF

SKU: 81702883



- **Rated voltage:** 230 V
- **Colour:** silver
- **Mains frequency:** 50 Hz
- **Power consumption:** 19 W
- **Air output:** 100 m³/h
- **Bearing type:** sliding
- **Degree of protection (IP):** IP-X4
- **Sound pressure level:** 39.5 dB (A)
- **Speed:** 2550 rpm
- **Nominal size:** 100 mm
- **Material:** ABS/PP
- **Mounting location:** Wall
- **Mounting type:** surface-mounted
- **Fan weight:** 0.59 kg
- **A:** 155 mm
- **B:** 155 mm
- **C:** 66 mm
- **D:** 99 mm
- **E:** 30 mm
- **Mounting hole:** Ø100 mm



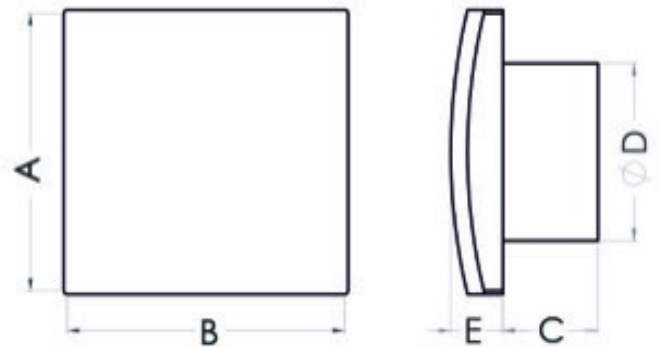


Bathroom fan Atol 100AT

SKU: 80794313



- **Rated voltage:** 230 V
- **Colour:** white
- **Mains frequency:** 50 Hz
- **Power consumption:** 19 W
- **Air output:** 100 m³/h
- **Bearing type:** sliding
- **Degree of protection (IP):** IP-X4
- **Sound pressure level:** 39.5 dB (A)
- **Speed:** 2550 rpm
- **Nominal size:** 100 mm
- **Material:** ABS/PP
- **Mounting location:** Wall
- **Mounting type:** surface mounted
- **Fan weight:** 0.53 kg
- **A:** 155 mm
- **B:** 155 mm
- **C:** 66 mm
- **D:** 99 mm
- **E:** 30 mm
- **Mounting hole:** Ø100 mm



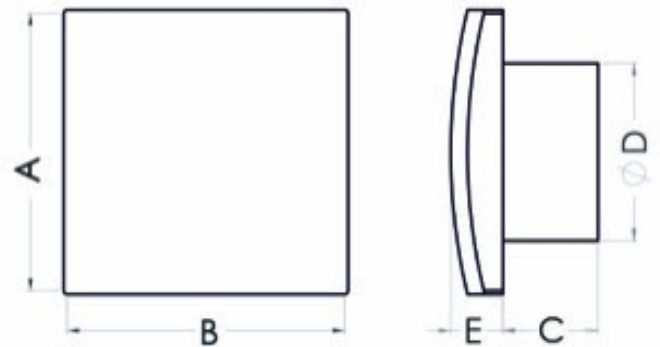


Bathroom fan Atol 100ATGF

SKU: 81706654



- **Rated voltage:** 230 V
- **Colour:** gold
- **Mains frequency:** 50 Hz
- **Power consumption:** 19 W
- **Air output:** 100 m³/h
- **Bearing type:** sliding
- **Degree of protection (IP):** IP-X4
- **Sound pressure level:** 39.5 dB (A)
- **Speed:** 2550 rpm
- **Nominal size:** 100 mm
- **Material:** ABS/PP
- **Mounting location:** Wall
- **Mounting type:** surface mounted
- **Fan weight:** 0.53 kg
- **A:** 155 mm
- **B:** 155 mm
- **C:** 66 mm
- **D:** 99 mm
- **E:** 30 mm
- **Mounting hole:** Ø100 mm



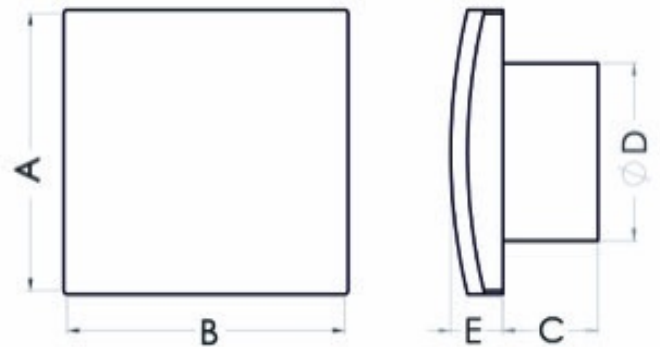


Bathroom fan Atol 100ATSF

SKU: 81424809



- **Rated voltage:** 230 V
- **Colour:** silver
- **Mains frequency:** 50 Hz
- **Power consumption:** 19 W
- **Air output:** 100 m³/h
- **Bearing type:** sliding
- **Degree of protection (IP):** IP-X4
- **Sound pressure level:** 39.5 dB (A)
- **Speed:** 2550 rpm
- **Nominal size:** 100 mm
- **Material:** ABS/PP
- **Mounting location:** Wall
- **Mounting type:** surface mounted
- **Fan weight:** 0.53 kg
- **A:** 155 mm
- **B:** 155 mm
- **C:** 66 mm
- **D:** 99 mm
- **E:** 30 mm
- **Mounting hole:** Ø100 mm



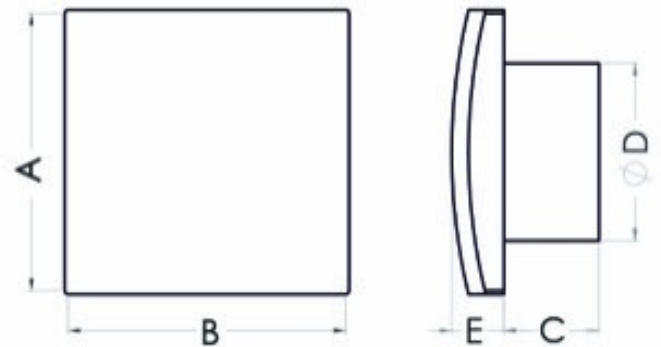


Bathroom fan Atol 120A

SKU: 81293297



- **Rated voltage:** 230 V
- **Colour:** white
- **Mains frequency:** 50 Hz
- **Power consumption:** 20 W
- **Air output:** 150 m³/h
- **Bearing type:** sliding
- **Degree of protection (IP):** IP-X4
- **Sound pressure level:** 42 dB (A)
- **Speed:** 2360 rpm
- **Nominal size:** 120 mm
- **Material:** ABS/PP
- **Place of installation:** Wall
- **Mounting type:** surface-mounted
- **Fan weight:** 0.69 kg
- **A:** 177 mm
- **B:** 177 mm
- **C:** 71 mm
- **D:** 119 mm
- **E:** 31 mm
- **Mounting hole:** Ø120 mm



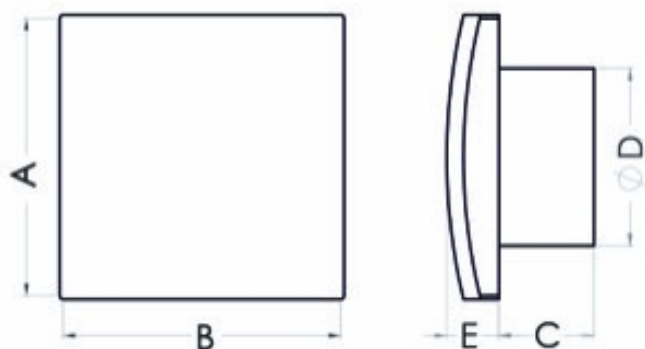


Bathroom fan Atol 120AB

SKU: 81306386



- **Rated voltage:** 230 V
- **Colour:** white
- **Mains frequency:** 50 Hz
- **Power consumption:** 20 W
- **Air output:** 150 m³/h
- **Bearing type:** sliding
- **Degree of protection (IP):** IP-X4
- **Sound pressure level:** 42 dB (A)
- **Speed:** 2360 rpm
- **Nominal size:** 120 mm
- **Material:** ABS/PP
- **Place of installation:** Wall
- **Mounting type:** surface-mounted
- **Fan weight:** 0.62 kg
- **A:** 177 mm
- **B:** 177 mm
- **C:** 71 mm
- **D:** 119 mm
- **E:** 31 mm
- **Mounting hole:** Ø120 mm



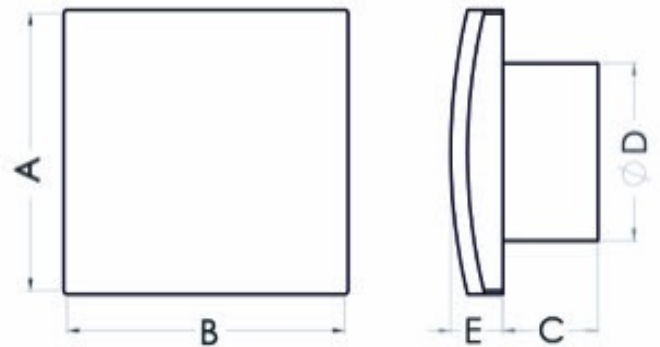


Bathroom fan Atol 120AFT

SKU: 81309220



- **Rated voltage:** 230 V
- **Colour:** white
- **Mains frequency:** 50 Hz
- **Power consumption:** 20 W
- **Air output:** 150 m³/h
- **Bearing type:** sliding
- **Degree of protection (IP):** IP-X4
- **Sound pressure level:** 42 dB (A)
- **Speed:** 2360 rpm
- **Nominal size:** 120 mm
- **Material:** ABS/PP
- **Place of installation:** Wall
- **Mounting type:** surface-mounted
- **Fan weight:** 0.63 kg
- **A:** 177 mm
- **B:** 177 mm
- **C:** 71 mm
- **D:** 119 mm
- **E:** 31 mm
- **Mounting hole:** Ø120 mm



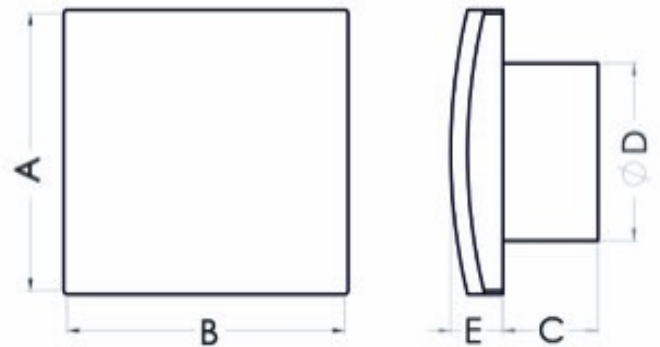


Bathroom fan Atol 120AHT

SKU: 81313085



- **Rated voltage:** 230 V
- **Colour:** white
- **Mains frequency:** 50 Hz
- **Power consumption:** 20 W
- **Air output:** 150 m³/h
- **Bearing type:** sliding
- **Degree of protection (IP):** IP-X4
- **Sound pressure level:** 42 dB (A)
- **Speed:** 2360 rpm
- **Nominal size:** 120 mm
- **Material:** ABS/PP
- **Place of installation:** Wall
- **Mounting type:** surface-mounted
- **Fan weight:** 0.64 kg
- **A:** 177 mm
- **B:** 177 mm
- **C:** 71 mm
- **D:** 119 mm
- **E:** 31 mm
- **Mounting hole:** Ø120 mm



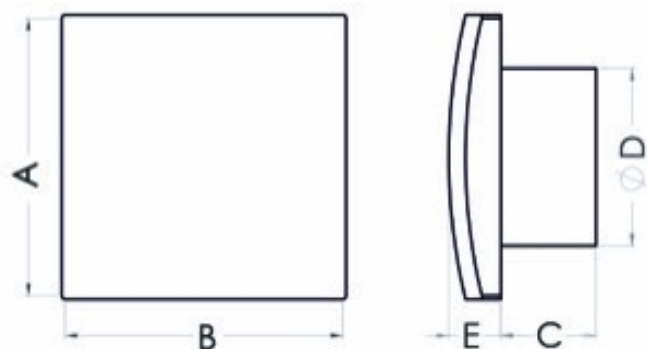


Bathroom fan Atol 120AT

SKU: 81327109



- **Rated voltage:** 230 V
- **Colour:** white
- **Mains frequency:** 50 Hz
- **Power consumption:** 20 W
- **Air output:** 150 m³/h
- **Bearing type:** sliding
- **Degree of protection (IP):** IP-X4
- **Sound pressure level:** 42 dB (A)
- **Speed:** 2360 rpm
- **Nominal size:** 120 mm
- **Material:** ABS/PP
- **Place of installation:** Wall
- **Mounting type:** surface mounted
- **Fan weight:** 0.63 kg
- **A:** 177 mm
- **B:** 177 mm
- **C:** 71 mm
- **D:** 119 mm
- **E:** 31 mm
- **Mounting hole:** Ø120 mm



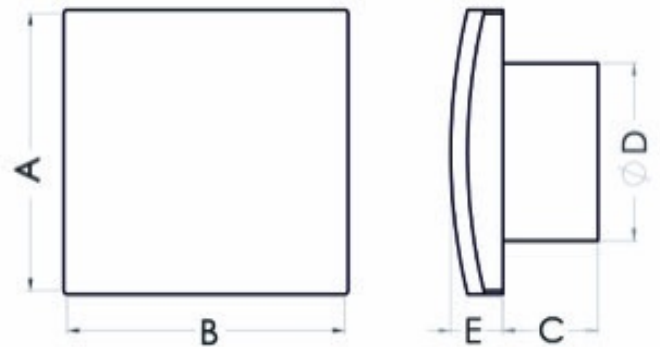


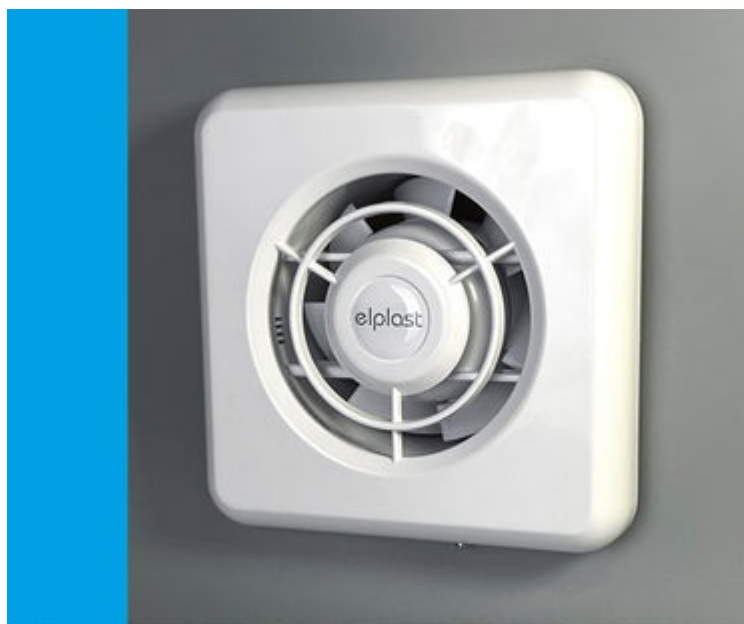
Bathroom fan Classic 100

SKU: 99366643



- **Rated voltage:** 230 V
- **Colour:** white
- **Mains frequency:** 50 Hz
- **Power consumption:** 19 W
- **Air output:** 100 m³/h
- **Bearing type:** sliding
- **Degree of protection (IP):** IP-X4
- **Sound pressure level:** 39.5 dB (A)
- **Speed:** 2550 rpm
- **Nominal size:** 100 mm
- **Material:** ABS/PP
- **Mounting location:** Wall
- **Mounting type:** surface mounted
- **Fan weight:** 0.50 kg
- **A:** 153 mm
- **B:** 153 mm
- **C:** 53 mm
- **D:** 99 mm
- **E:** 23 mm
- **Mounting hole:** Ø100 mm



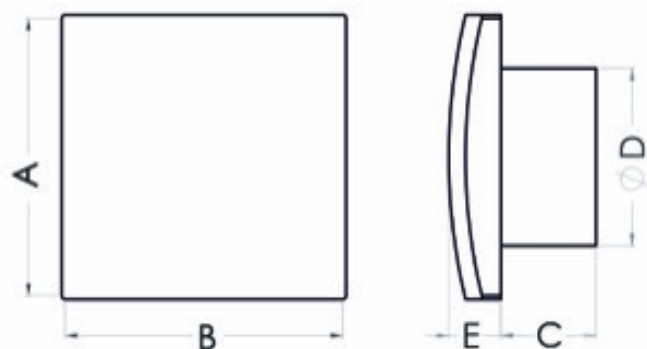


Bathroom fan Classic 100B

SKU: 99323861



- **Rated voltage:** 230 V
- **Colour:** white
- **Mains frequency:** 50 Hz
- **Power consumption:** 19 W
- **Air output:** 100 m³/h
- **Bearing type:** sliding
- **Degree of protection (IP):** IP-X4
- **Sound pressure level:** 39.5 dB (A)
- **Speed:** 2550 rpm
- **Nominal size:** 100 mm
- **Material:** ABS/PP
- **Mounting location:** Wall
- **Mounting type:** surface mounted
- **Fan weight:** 0.43 kg
- **A:** 153 mm
- **B:** 153 mm
- **C:** 53 mm
- **D:** 99 mm
- **E:** 23 mm
- **Mounting hole:** Ø100 mm



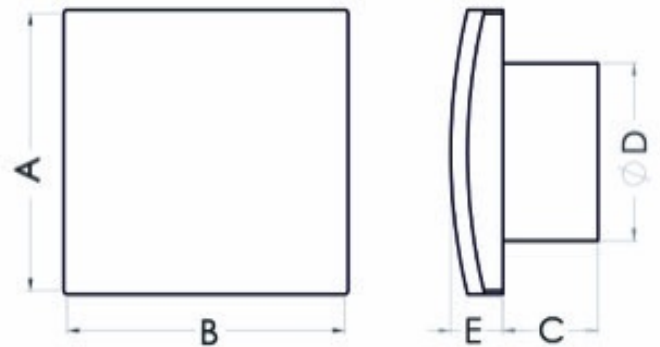


Bathroom fan Classic 100BGF

SKU: 100967442



- **Rated voltage:** 230 V
- **Colour:** white
- **Mains frequency:** 50 Hz
- **Power consumption:** 19 W
- **Air output:** 100 m³/h
- **Bearing type:** sliding
- **Degree of protection (IP):** IP-X4
- **Sound pressure level:** 39.5 dB (A)
- **Speed:** 2550 rpm
- **Nominal size:** 100 mm
- **Material:** ABS/PP
- **Mounting location:** Wall
- **Mounting type:** surface mounted
- **Fan weight:** 0.43 kg
- **A:** 153 mm
- **B:** 153 mm
- **C:** 53 mm
- **D:** 99 mm
- **E:** 23 mm
- **Mounting hole:** Ø100 mm



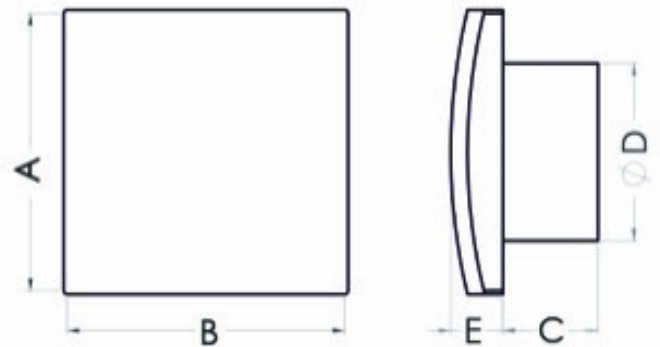


Bathroom fan Classic 100BSF

SKU: 100967358



- **Rated voltage:** 230 V
- **Colour:** white
- **Mains frequency:** 50 Hz
- **Power consumption:** 19 W
- **Air output:** 100 m³/h
- **Bearing type:** sliding
- **Degree of protection (IP):** IP-X4
- **Sound pressure level:** 39.5 dB (A)
- **Speed:** 2550 rpm
- **Nominal size:** 100 mm
- **Material:** ABS/PP
- **Mounting location:** Wall
- **Mounting type:** surface mounted
- **Fan weight:** 0.43 kg
- **A:** 153 mm
- **B:** 153 mm
- **C:** 53 mm
- **D:** 99 mm
- **E:** 23 mm
- **Mounting hole:** Ø100 mm



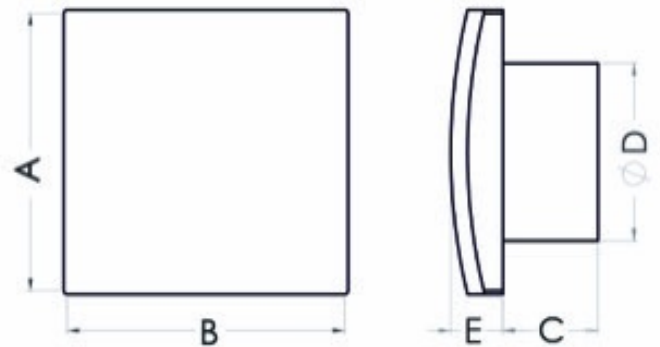


Bathroom fan Classic 100GF

SKU: 100967396



- **Rated voltage:** 230 V
- **Colour:** white
- **Mains frequency:** 50 Hz
- **Power consumption:** 19 W
- **Air output:** 100 m³/h
- **Bearing type:** sliding
- **Degree of protection (IP):** IP-X4
- **Sound pressure level:** 39.5 dB (A)
- **Speed:** 2550 rpm
- **Nominal size:** 100 mm
- **Material:** ABS/PP
- **Mounting location:** Wall
- **Mounting type:** surface mounted
- **Fan weight:** 0.50 kg
- **A:** 153 mm
- **B:** 153 mm
- **C:** 53 mm
- **D:** 99 mm
- **E:** 23 mm
- **Mounting hole:** Ø100 mm



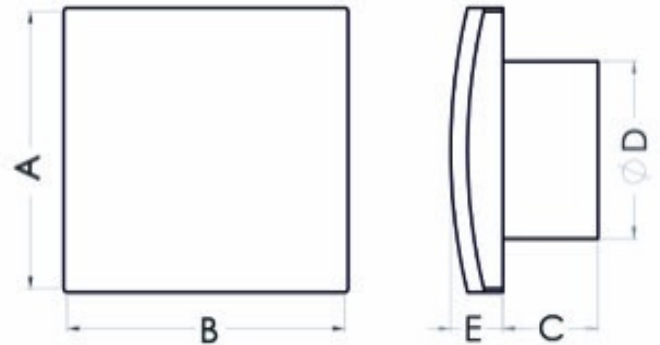


Bathroom fan Classic 100HT

SKU: 99549006



- **Rated voltage:** 230 V
- **Colour:** white
- **Mains frequency:** 50 Hz
- **Power consumption:** 19 W
- **Air output:** 100 m³/h
- **Bearing type:** sliding
- **Degree of protection (IP):** IP-X4
- **Sound pressure level:** 39.5 dB (A)
- **Speed:** 2550 rpm
- **Nominal size:** 100 mm
- **Material:** ABS/PP
- **Mounting location:** Wall
- **Mounting type:** surface mounted
- **Fan weight:** 0.44 kg
- **A:** 153 mm
- **B:** 153 mm
- **C:** 53 mm
- **D:** 99 mm
- **E:** 23 mm
- **Mounting hole:** Ø100 mm



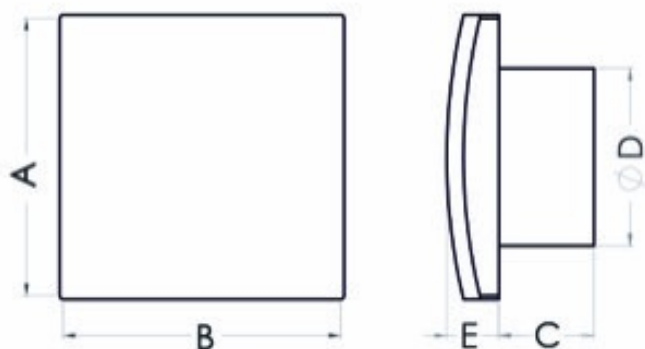


Bathroom fan Classic 100HTGF

SKU: 100967526



- **Rated voltage:** 230 V
- **Colour:** white
- **Mains frequency:** 50 Hz
- **Power consumption:** 19 W
- **Air output:** 100 m³/h
- **Bearing type:** sliding
- **Degree of protection (IP):** IP-X4
- **Sound pressure level:** 39.5 dB (A)
- **Speed:** 2550 rpm
- **Nominal size:** 100 mm
- **Material:** ABS/PP
- **Mounting location:** Wall
- **Mounting type:** surface mounted
- **Fan weight:** 0.44 kg
- **A:** 153 mm
- **B:** 153 mm
- **C:** 53 mm
- **D:** 99 mm
- **E:** 23 mm
- **Mounting hole:** Ø100 mm



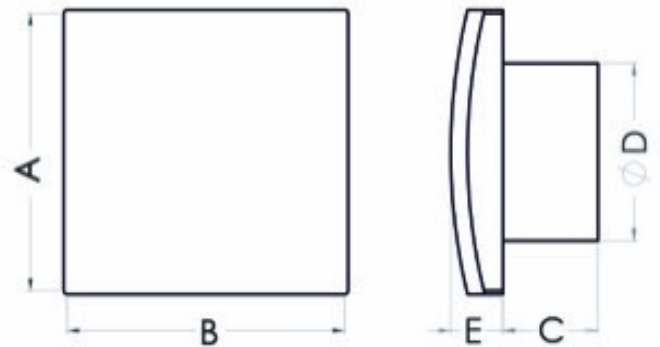


Bathroom fan Classic 100HTSF

SKU: 100967362



- **Rated voltage:** 230 V
- **Colour:** white
- **Mains frequency:** 50 Hz
- **Power consumption:** 19 W
- **Air output:** 100 m³/h
- **Bearing type:** sliding
- **Degree of protection (IP):** IP-X4
- **Sound pressure level:** 39.5 dB (A)
- **Speed:** 2550 rpm
- **Nominal size:** 100 mm
- **Material:** ABS/PP
- **Mounting location:** Wall
- **Mounting type:** surface mounted
- **Fan weight:** 0.44 kg
- **A:** 153 mm
- **B:** 153 mm
- **C:** 53 mm
- **D:** 99 mm
- **E:** 23 mm
- **Mounting hole:** Ø100 mm



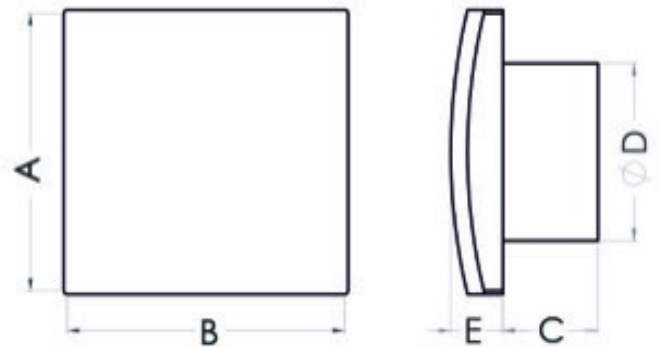


Bathroom fan Classic 100SF

SKU: 99620545



- **Rated voltage:** 230 V
- **Colour:** white
- **Mains frequency:** 50 Hz
- **Power consumption:** 19 W
- **Air output:** 100 m³/h
- **Bearing type:** sliding
- **Degree of protection (IP):** IP-X4
- **Sound pressure level:** 39.5 dB (A)
- **Speed:** 2550 rpm
- **Nominal size:** 100 mm
- **Material:** ABS/PP
- **Mounting location:** Wall
- **Mounting type:** surface mounted
- **Fan weight:** 0.50 kg
- **A:** 153 mm
- **B:** 153 mm
- **C:** 53 mm
- **D:** 99 mm
- **E:** 23 mm
- **Mounting hole:** Ø100 mm



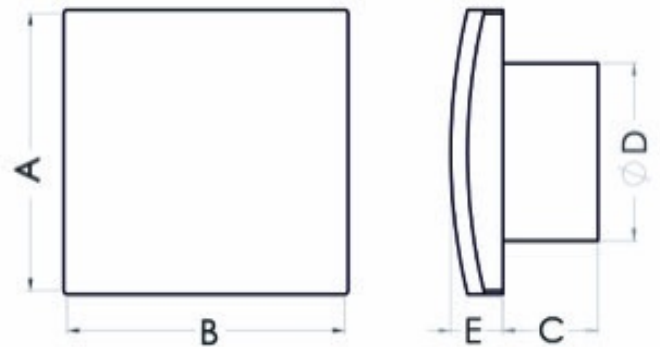


Bathroom fan Classic 100T

SKU: 99394923



- **Rated voltage:** 230 V
- **Colour:** white
- **Mains frequency:** 50 Hz
- **Power consumption:** 19 W
- **Air output:** 100 m³/h
- **Bearing type:** sliding
- **Degree of protection (IP):** IP-X4
- **Sound pressure level:** 39.5 dB (A)
- **Speed:** 2550 rpm
- **Nominal size:** 100 mm
- **Material:** ABS/PP
- **Mounting location:** Wall
- **Mounting type:** surface mounted
- **Fan weight:** 0.44 kg
- **A:** 153 mm
- **B:** 153 mm
- **C:** 53 mm
- **D:** 99 mm
- **E:** 23 mm
- **Mounting hole:** Ø100 mm



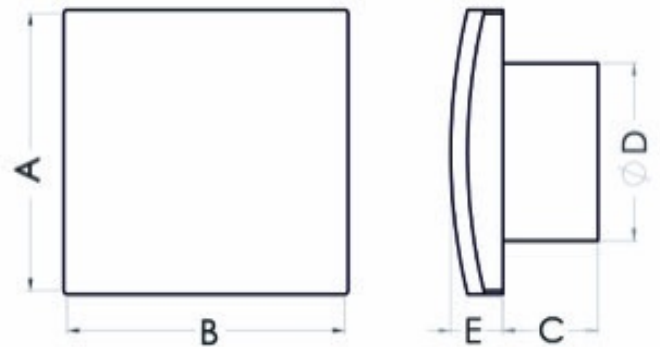


Bathroom fan Classic 100TGF

SKU: 100967447



- **Rated voltage:** 230 V
- **Colour:** white
- **Mains frequency:** 50 Hz
- **Power consumption:** 19 W
- **Air output:** 100 m³/h
- **Bearing type:** sliding
- **Degree of protection (IP):** IP-X4
- **Sound pressure level:** 39.5 dB (A)
- **Speed:** 2550 rpm
- **Nominal size:** 100 mm
- **Material:** ABS/PP
- **Mounting location:** Wall
- **Mounting type:** surface mounted
- **Fan weight:** 0.44 kg
- **A:** 153 mm
- **B:** 153 mm
- **C:** 53 mm
- **D:** 99 mm
- **E:** 23 mm
- **Mounting hole:** Ø100 mm



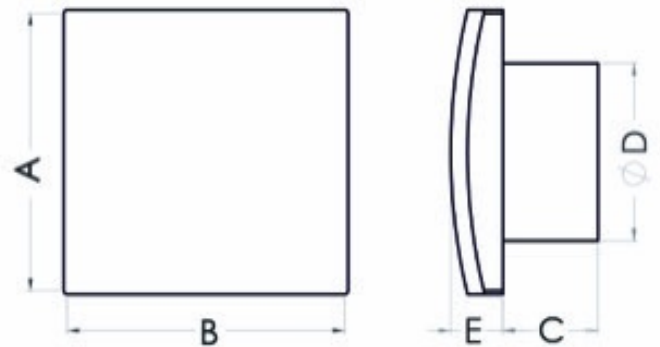


Bathroom fan Classic 100TSF

SKU: 100967361



- **Rated voltage:** 230 V
- **Colour:** white
- **Mains frequency:** 50 Hz
- **Power consumption:** 19 W
- **Air output:** 100 m³/h
- **Bearing type:** sliding
- **Degree of protection (IP):** IP-X4
- **Sound pressure level:** 39.5 dB (A)
- **Speed:** 2550 rpm
- **Nominal size:** 100 mm
- **Material:** ABS/PP
- **Mounting location:** Wall
- **Mounting type:** surface mounted
- **Fan weight:** 0.44 kg
- **A:** 153 mm
- **B:** 153 mm
- **C:** 53 mm
- **D:** 99 mm
- **E:** 23 mm
- **Mounting hole:** Ø100 mm



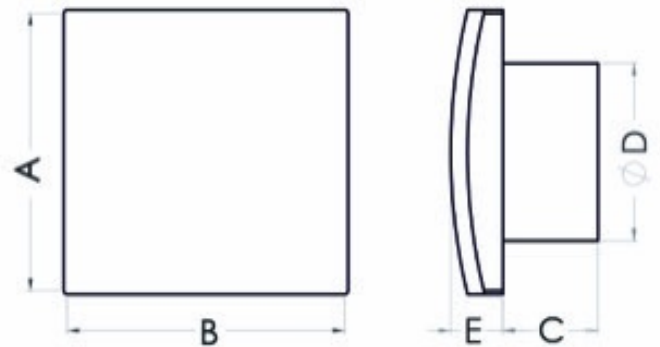


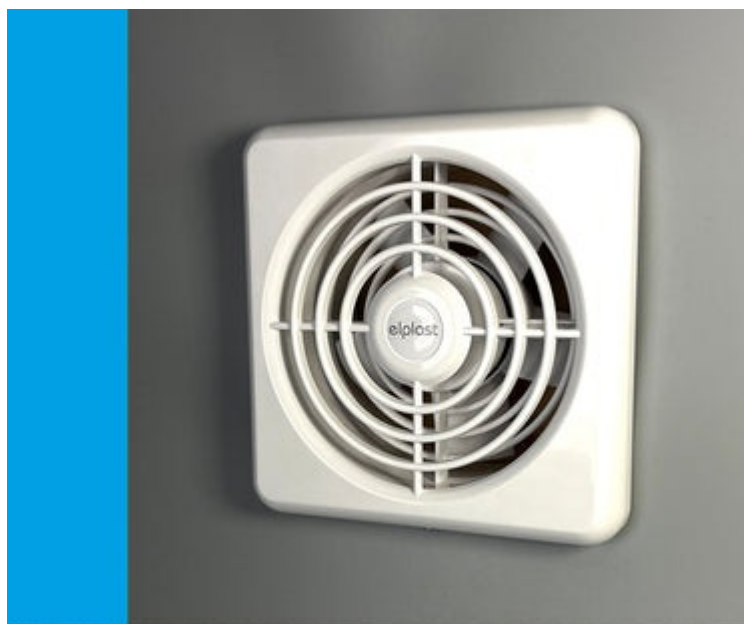
Bathroom fan Classic 150

SKU: 98726670



- **Rated voltage:** 230 V
- **Colour:** white
- **Mains frequency:** 50 Hz
- **Power consumption:** 22 W
- **Air output:** 200 m³/h
- **Bearing type:** sliding
- **Degree of protection (IP):** IP-X4
- **Sound pressure level:** 45 dB (A)
- **Speed:** 1850 rpm
- **Nominal size:** 150 mm
- **Material:** ABS/PP
- **Place of installation:** Wall
- **Mounting type:** surface mounted
- **Fan weight:** 0.68 kg
- **A:** 183 mm
- **B:** 183 mm
- **C:** 63 mm
- **D:** 150 mm
- **E:** 23 mm
- **Mounting hole:** Ø150 mm



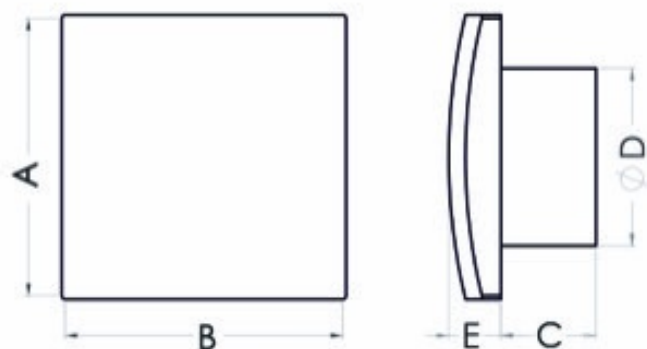


Bathroom fan Classic 150B

SKU: 99600148



- **Rated voltage:** 230 V
- **Colour:** white
- **Mains frequency:** 50 Hz
- **Power consumption:** 22 W
- **Air output:** 200 m³/h
- **Bearing type:** sliding
- **Degree of protection (IP):** IP-X4
- **Sound pressure level:** 45 dB (A)
- **Speed:** 1850 rpm
- **Nominal size:** 150 mm
- **Material:** ABS/PP
- **Place of installation:** Wall
- **Mounting type:** surface mounted
- **Fan weight:** 0.60 kg
- **A:** 183 mm
- **B:** 183 mm
- **C:** 63 mm
- **D:** 150 mm
- **E:** 23 mm
- **Mounting hole:** Ø150 mm



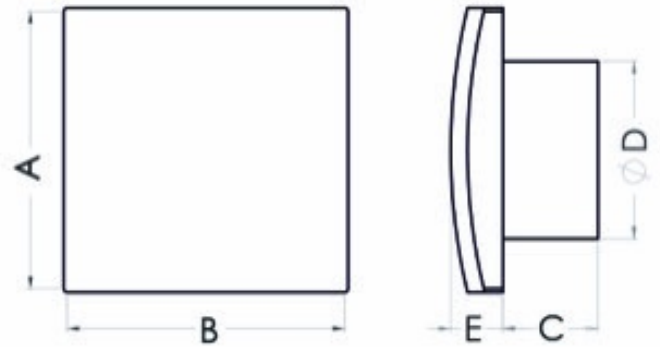


Bathroom fan Eol 100

SKU: 81753786



- **Rated voltage:** 230 V
- **Colour:** white
- **Mains frequency:** 50 Hz
- **Power consumption:** 19 W
- **Air output:** 100 m³/h
- **Bearing type:** sliding
- **Degree of protection (IP):** IP-X4
- **Sound pressure level:** 39.5 dB (A)
- **Speed:** 2550 rpm
- **Nominal size:** 100 mm
- **Material:** ABS/PP
- **Mounting location:** Wall
- **Mounting type:** surface mounted
- **Fan weight:** 0.50 kg
- **A:** 141 mm
- **B:** 131 mm
- **C:** 84 mm
- **D:** 99 mm
- **E:** 15 mm
- **Mounting hole:** Ø100 mm



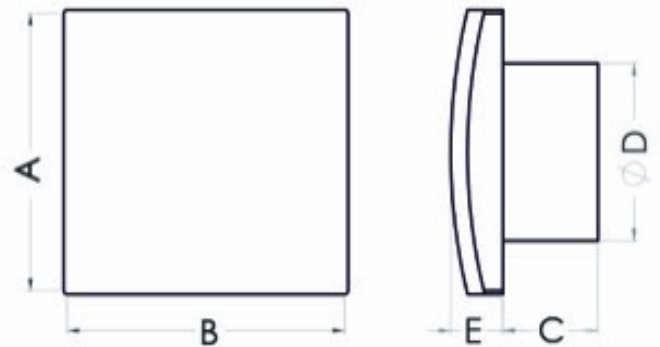


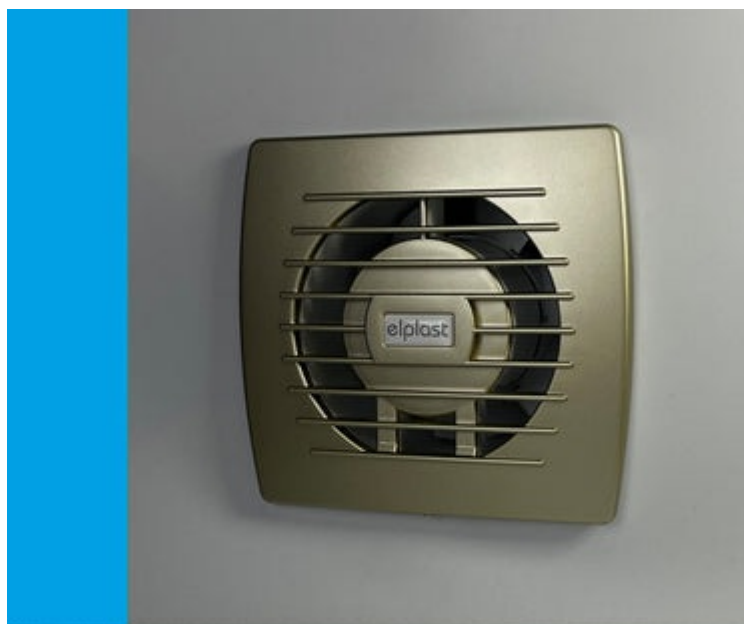
Bathroom fan Eol 100B

SKU: 81757891



- **Rated voltage:** 230 V
- **Colour:** white
- **Mains frequency:** 50 Hz
- **Power consumption:** 19 W
- **Air output:** 100 m³/h
- **Bearing type:** sliding
- **Degree of protection (IP):** IP-X4
- **Sound pressure level:** 39.5 dB (A)
- **Speed:** 2550 rpm
- **Nominal size:** 100 mm
- **Material:** ABS/PP
- **Mounting location:** Wall
- **Mounting type:** surface mounted
- **Fan weight:** 0.42 kg
- **A:** 141 mm
- **B:** 131 mm
- **C:** 84 mm
- **D:** 99 mm
- **E:** 15 mm
- **Mounting hole:** Ø100 mm



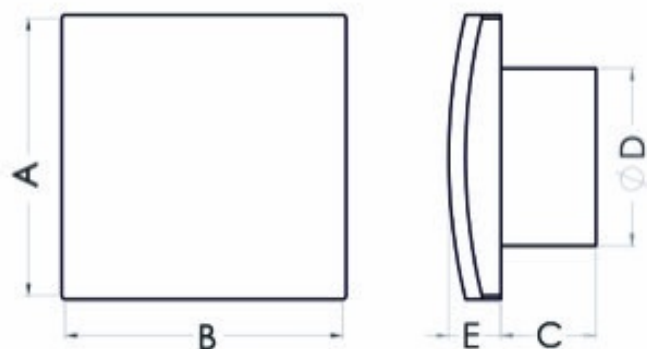


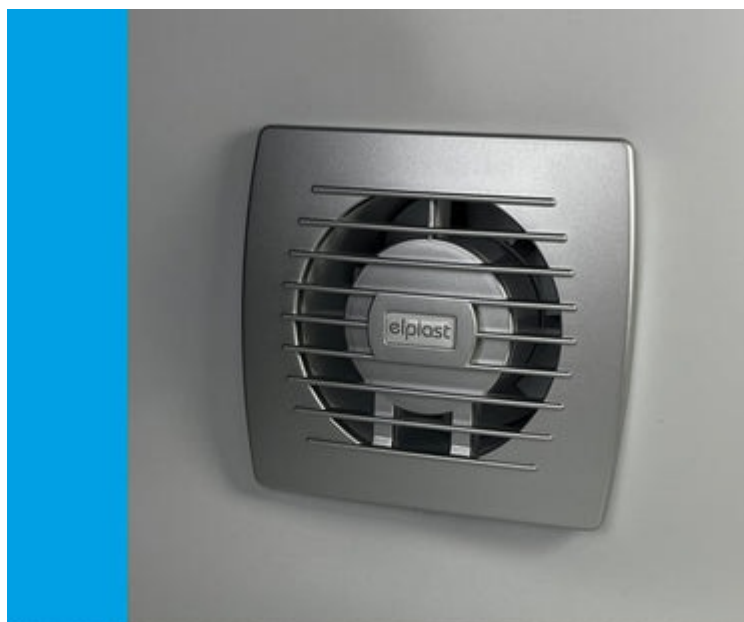
Bathroom fan Eol 100BGF

SKU: 94862835



- **Rated voltage:** 230 V
- **Colour:** gold
- **Mains frequency:** 50 Hz
- **Power consumption:** 19 W
- **Air output:** 100 m³/h
- **Bearing type:** sliding
- **Degree of protection (IP):** IP-X4
- **Sound pressure level:** 39.5 dB (A)
- **Speed:** 2550 rpm
- **Nominal size:** 100 mm
- **Material:** ABS/PP
- **Mounting location:** Wall
- **Mounting type:** surface-mounted
- **Fan weight:** 0.42 kg
- **A:** 141 mm
- **B:** 131 mm
- **C:** 84 mm
- **D:** 99 mm
- **E:** 15 mm
- **Mounting hole:** Ø100 mm



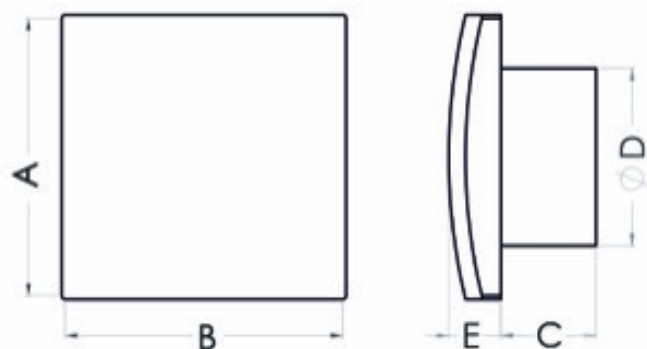


Bathroom fan Eol 100BSF

SKU: 93618539



- **Rated voltage:** 230 V
- **Colour:** silver
- **Mains frequency:** 50 Hz
- **Power consumption:** 19 W
- **Air output:** 100 m³/h
- **Bearing type:** sliding
- **Degree of protection (IP):** IP-X4
- **Sound pressure level:** 39.5 dB (A)
- **Speed:** 2550 rpm
- **Nominal size:** 100 mm
- **Material:** ABS/PP
- **Mounting location:** Wall
- **Mounting type:** surface-mounted
- **Fan weight:** 0.42 kg
- **A:** 141 mm
- **B:** 131 mm
- **C:** 84 mm
- **D:** 99 mm
- **E:** 15 mm
- **Mounting hole:** Ø100 mm



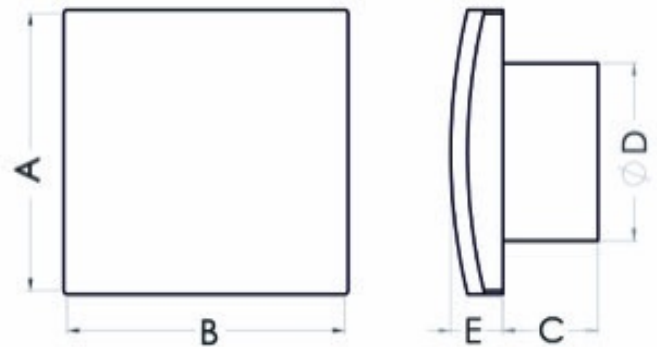


Bathroom fan Eol 100FT

SKU: 81762513



- **Rated voltage:** 230 V
- **Colour:** white
- **Mains frequency:** 50 Hz
- **Power consumption:** 19 W
- **Air output:** 100 m³/h
- **Bearing type:** sliding
- **Degree of protection (IP):** IP-X4
- **Sound pressure level:** 39.5 dB (A)
- **Speed:** 2550 rpm
- **Nominal size:** 100 mm
- **Material:** ABS/PP
- **Mounting location:** Wall
- **Mounting type:** surface mounted
- **Fan weight:** 0.44 kg
- **A:** 141 mm
- **B:** 131 mm
- **C:** 84 mm
- **D:** 99 mm
- **E:** 15 mm
- **Mounting hole:** Ø100 mm



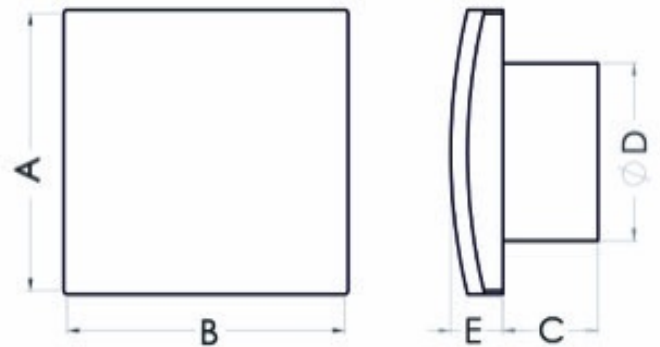


Bathroom fan Eol 100GF

SKU: 94861716



- **Rated voltage:** 230 V
- **Colour:** gold
- **Mains frequency:** 50 Hz
- **Power consumption:** 19 W
- **Air output:** 100 m³/h
- **Bearing type:** sliding
- **Degree of protection (IP):** IP-X4
- **Sound pressure level:** 39.5 dB (A)
- **Speed:** 2550 rpm
- **Nominal size:** 100 mm
- **Material:** ABS/PP
- **Mounting location:** Wall
- **Mounting type:** surface mounted
- **Fan weight:** 0.50 kg
- **A:** 141 mm
- **B:** 131 mm
- **C:** 84 mm
- **D:** 99 mm
- **E:** 15 mm
- **Mounting hole:** Ø100 mm



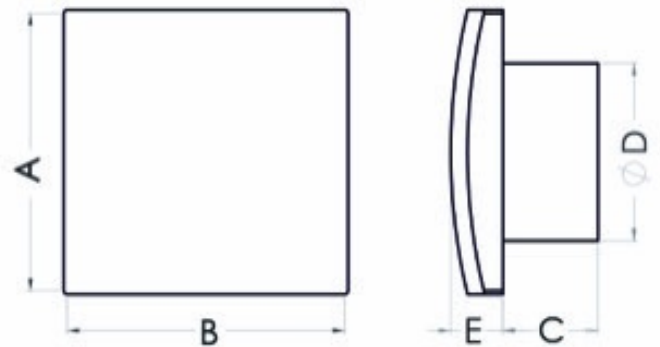


Bathroom fan Eol 100HT

SKU: 81874015



- **Rated voltage:** 230 V
- **Colour:** white
- **Mains frequency:** 50 Hz
- **Power consumption:** 19 W
- **Air output:** 100 m³/h
- **Bearing type:** sliding
- **Degree of protection (IP):** IP-X4
- **Sound pressure level:** 39.5 dB (A)
- **Speed:** 2550 rpm
- **Nominal size:** 100 mm
- **Material:** ABS/PP
- **Mounting location:** Wall
- **Mounting type:** surface mounted
- **Fan weight:** 0.43 kg
- **A:** 141 mm
- **B:** 131 mm
- **C:** 84 mm
- **D:** 99 mm
- **E:** 15 mm
- **Mounting hole:** Ø100 mm



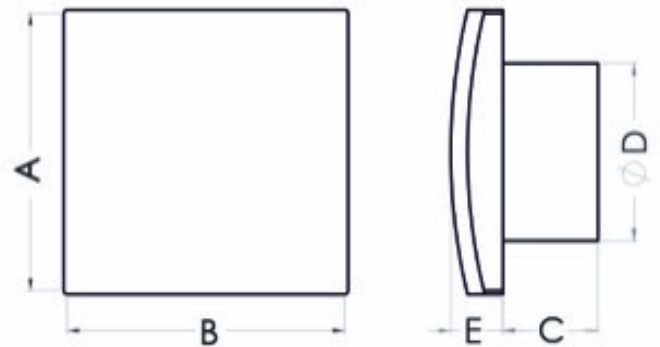


Bathroom fan Eol 100HTGF

SKU: 94891147



- **Rated voltage:** 230 V
- **Colour:** gold
- **Mains frequency:** 50 Hz
- **Power consumption:** 19 W
- **Air output:** 100 m³/h
- **Bearing type:** sliding
- **Degree of protection (IP):** IP-X4
- **Sound pressure level:** 39.5 dB (A)
- **Speed:** 2550 rpm
- **Nominal size:** 100 mm
- **Material:** ABS/PP
- **Mounting location:** Wall
- **Mounting type:** surface mounted
- **Fan weight:** 0.43 kg
- **A:** 141 mm
- **B:** 131 mm
- **C:** 84 mm
- **D:** 99 mm
- **E:** 15 mm
- **Mounting hole:** Ø100 mm



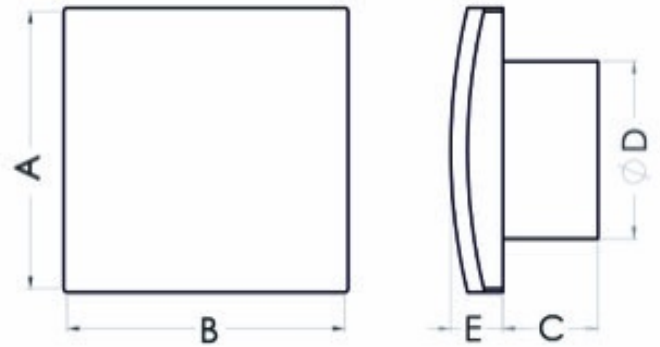


Bathroom fan Eol 100HTSF

SKU: 94795383



- **Rated voltage:** 230 V
- **Colour:** silver
- **Mains frequency:** 50 Hz
- **Power consumption:** 19 W
- **Air output:** 100 m³/h
- **Bearing type:** sliding
- **Degree of protection (IP):** IP-X4
- **Sound pressure level:** 39.5 dB (A)
- **Speed:** 2550 rpm
- **Nominal size:** 100 mm
- **Material:** ABS/PP
- **Mounting location:** Wall
- **Mounting type:** surface mounted
- **Fan weight:** 0.43 kg
- **A:** 141 mm
- **B:** 131 mm
- **C:** 84 mm
- **D:** 99 mm
- **E:** 15 mm
- **Mounting hole:** Ø100 mm



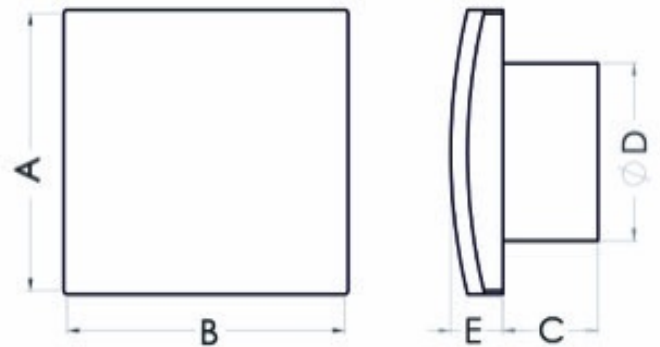


Bathroom fan Eol 100SF

SKU: 93476595



- **Rated voltage:** 230 V
- **Colour:** silver
- **Mains frequency:** 50 Hz
- **Power consumption:** 19 W
- **Air output:** 100 m³/h
- **Bearing type:** sliding
- **Degree of protection (IP):** IP-X4
- **Sound pressure level:** 39.5 dB (A)
- **Speed:** 2550 rpm
- **Nominal size:** 100 mm
- **Material:** ABS/PP
- **Mounting location:** Wall
- **Mounting type:** surface mounted
- **Fan weight:** 0.50 kg
- **A:** 141 mm
- **B:** 131 mm
- **C:** 84 mm
- **D:** 99 mm
- **E:** 15 mm
- **Mounting hole:** Ø100 mm



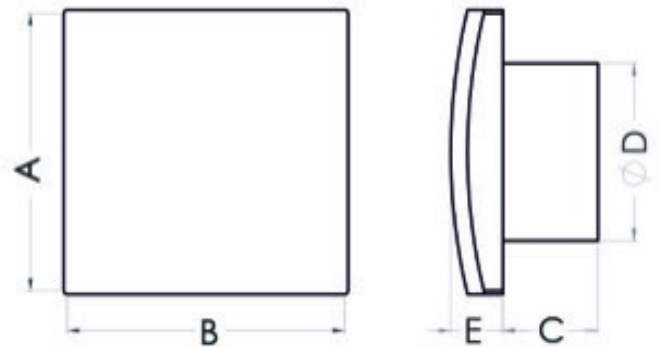


Bathroom fan Eol 100T

SKU: 81805977



- **Rated voltage:** 230 V
- **Colour:** white
- **Mains frequency:** 50 Hz
- **Power consumption:** 19 W
- **Air output:** 100 m³/h
- **Bearing type:** sliding
- **Degree of protection (IP):** IP-X4
- **Sound pressure level:** 39.5 dB (A)
- **Speed:** 2550 rpm
- **Nominal size:** 100 mm
- **Material:** ABS/PP
- **Mounting location:** Wall
- **Mounting type:** surface mounted
- **Fan weight:** 0.43 kg
- **A:** 141 mm
- **B:** 131 mm
- **C:** 84 mm
- **D:** 99 mm
- **E:** 15 mm
- **Mounting hole:** Ø100 mm



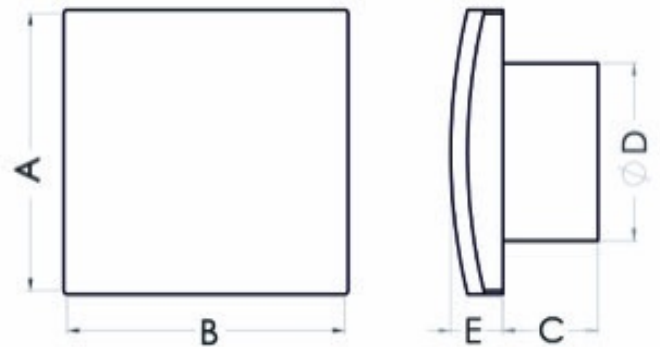


Bathroom fan Eol 100TGF

SKU: 94872777



- **Rated voltage:** 230 V
- **Colour:** gold
- **Mains frequency:** 50 Hz
- **Power consumption:** 19 W
- **Air output:** 100 m³/h
- **Bearing type:** sliding
- **Degree of protection (IP):** IP-X4
- **Sound pressure level:** 39.5 dB (A)
- **Speed:** 2550 rpm
- **Nominal size:** 100 mm
- **Material:** ABS/PP
- **Mounting location:** Wall
- **Mounting type:** surface mounted
- **Fan weight:** 0.43 kg
- **A:** 141 mm
- **B:** 131 mm
- **C:** 84 mm
- **D:** 99 mm
- **E:** 15 mm
- **Mounting hole:** Ø100 mm



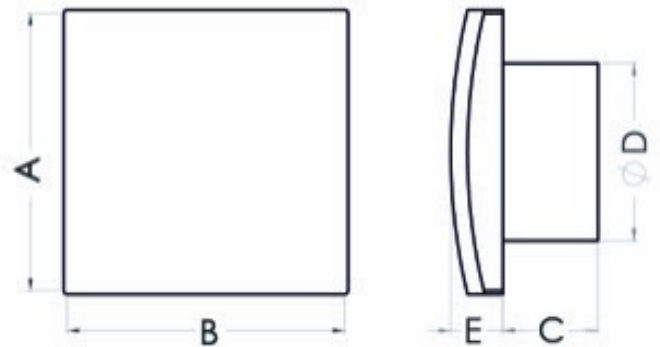


Bathroom fan Eol 100TSF

SKU: 93623904



- **Rated voltage:** 230 V
- **Colour:** silver
- **Mains frequency:** 50 Hz
- **Power consumption:** 19 W
- **Air output:** 100 m³/h
- **Bearing type:** sliding
- **Degree of protection (IP):** IP-X4
- **Sound pressure level:** 39.5 dB (A)
- **Speed:** 2550 rpm
- **Nominal size:** 100 mm
- **Material:** ABS/PP
- **Mounting location:** Wall
- **Mounting type:** surface mounted
- **Fan weight:** 0.43 kg
- **A:** 141 mm
- **B:** 131 mm
- **C:** 84 mm
- **D:** 99 mm
- **E:** 15 mm
- **Mounting hole:** Ø100 mm



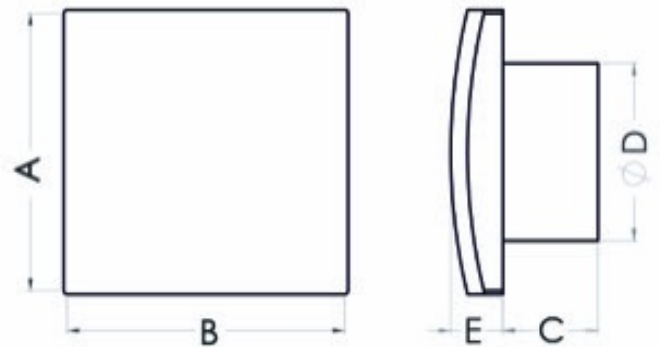


Bathroom fan Eol 120

SKU: 84895319



- **Rated voltage:** 230 V
- **Colour:** white
- **Mains frequency:** 50 Hz
- **Power consumption:** 20 W
- **Air output:** 150 m³/h
- **Bearing type:** sliding
- **Degree of protection (IP):** IP-X4
- **Sound pressure level:** 42 dB (A)
- **Speed:** 2360 rpm
- **Nominal size:** 120 mm
- **Material:** ABS/PP
- **Place of installation:** Wall
- **Mounting type:** surface-mounted
- **Fan weight:** 0.59 kg
- **A:** 150 mm
- **B:** 162 mm
- **C:** 88 mm
- **D:** 119 mm
- **E:** 12 mm
- **Mounting hole:** Ø120 mm



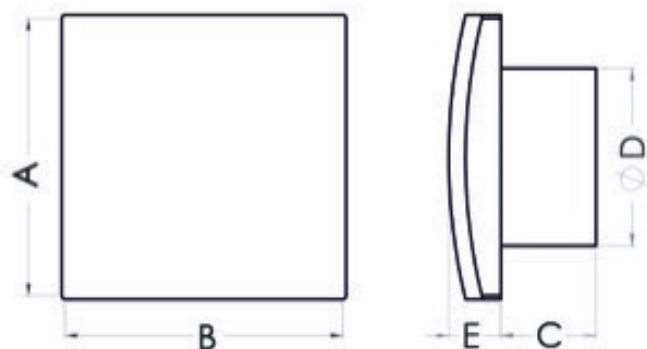


Bathroom fan Eol 120B

SKU: 84900927



- **Rated voltage:** 230 V
- **Colour:** white
- **Mains frequency:** 50 Hz
- **Power consumption:** 20 W
- **Air output:** 150 m³/h
- **Bearing type:** sliding
- **Degree of protection (IP):** IP-X4
- **Sound pressure level:** 42 dB (A)
- **Speed:** 2360 rpm
- **Nominal size:** 120 mm
- **Material:** ABS/PP
- **Place of installation:** Wall
- **Mounting type:** surface-mounted
- **Fan weight:** 0.52 kg
- **A:** 150 mm
- **B:** 162 mm
- **C:** 88 mm
- **D:** 119 mm
- **E:** 12 mm
- **Mounting hole:** Ø120 mm



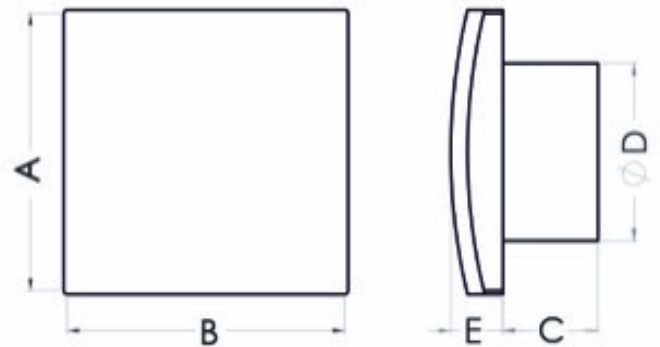


Bathroom fan Eol 120FT

SKU: 84909519



- **Rated voltage:** 230 V
- **Colour:** white
- **Mains frequency:** 50 Hz
- **Power consumption:** 20 W
- **Air output:** 150 m³/h
- **Bearing type:** sliding
- **Degree of protection (IP):** IP-X4
- **Sound pressure level:** 42 dB (A)
- **Speed:** 2360 rpm
- **Nominal size:** 120 mm
- **Material:** ABS/PP
- **Place of installation:** Wall
- **Mounting type:** surface mounted
- **Fan weight:** 0.53 kg
- **A:** 150 mm
- **B:** 162 mm
- **C:** 88 mm
- **D:** 119 mm
- **E:** 12 mm
- **Mounting hole:** Ø120 mm



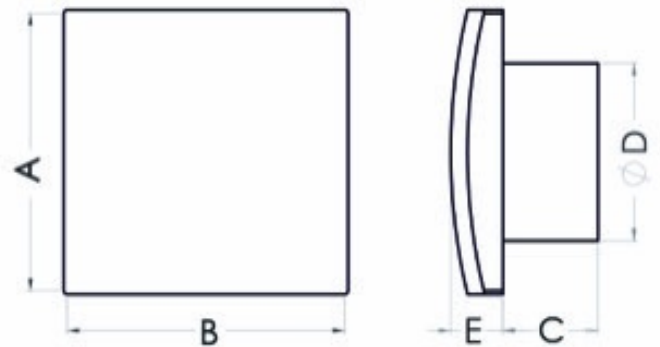


Bathroom fan Eol 120HT

SKU: 84915574



- **Rated voltage:** 230 V
- **Colour:** white
- **Mains frequency:** 50 Hz
- **Power consumption:** 20 W
- **Air output:** 150 m³/h
- **Bearing type:** sliding
- **Degree of protection (IP):** IP-X4
- **Sound pressure level:** 42 dB (A)
- **Speed:** 2360 rpm
- **Nominal size:** 120 mm
- **Material:** ABS/PP
- **Place of installation:** Wall
- **Mounting type:** surface-mounted
- **Fan weight:** 0.53 kg
- **A:** 150 mm
- **B:** 162 mm
- **C:** 88 mm
- **D:** 119 mm
- **E:** 12 mm
- **Mounting hole:** Ø120 mm



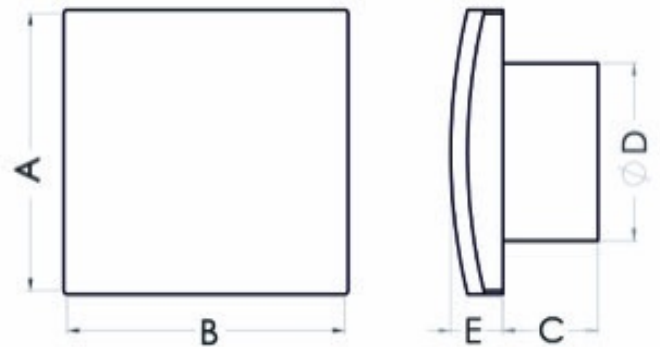


Bathroom fan Eol 120T

SKU: 84913643



- **Rated voltage:** 230 V
- **Colour:** white
- **Mains frequency:** 50 Hz
- **Power consumption:** 20 W
- **Air output:** 150 m³/h
- **Bearing type:** sliding
- **Degree of protection (IP):** IP-X4
- **Sound pressure level:** 42 dB (A)
- **Speed:** 2360 rpm
- **Nominal size:** 120 mm
- **Material:** ABS/PP
- **Place of installation:** Wall
- **Mounting type:** surface mounted
- **Fan weight:** 0.53 kg
- **A:** 150 mm
- **B:** 162 mm
- **C:** 88 mm
- **D:** 119 mm
- **E:** 12 mm
- **Mounting hole:** Ø120 mm



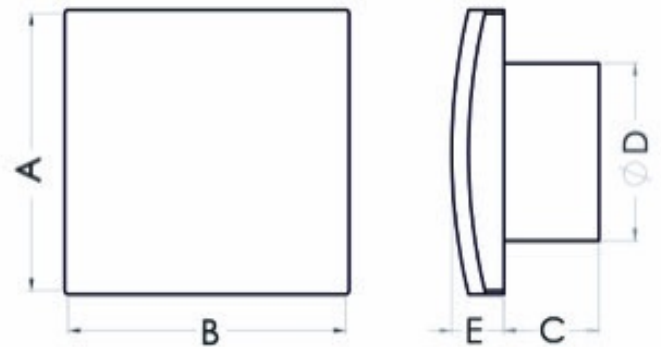


Bathroom fan Eol 150

SKU: 88814843



- **Rated voltage:** 230 V
- **Colour:** white
- **Mains frequency:** 50 Hz
- **Power consumption:** 22 W
- **Air output:** 200 m³/h
- **Bearing type:** sliding
- **Degree of protection (IP):** IP-X4
- **Sound pressure level:** 45 dB (A)
- **Speed:** 1850 rpm
- **Nominal size:** 150 mm
- **Material:** ABS/PP
- **Place of installation:** Wall
- **Mounting type:** surface mounted
- **Fan weight:** 0.63 kg
- **A:** 170 mm
- **B:** 183 mm
- **C:** 88 mm
- **D:** 149 mm
- **E:** 14 mm
- **Mounting hole:** Ø150 mm



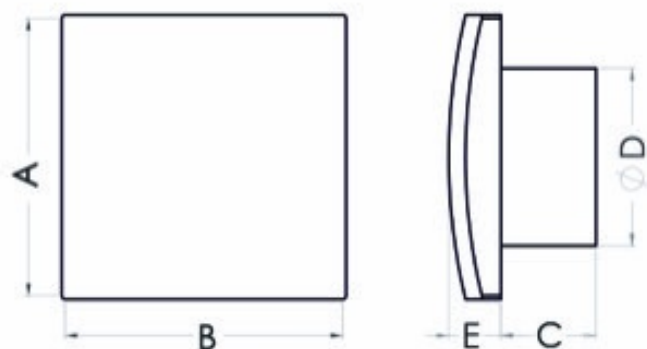


Bathroom fan Eol 150B

SKU: 90181935



- **Rated voltage:** 230 V
- **Colour:** white
- **Mains frequency:** 50 Hz
- **Power consumption:** 22 W
- **Air output:** 200 m³/h
- **Bearing type:** sliding
- **Degree of protection (IP):** IP-X4
- **Sound pressure level:** 45 dB (A)
- **Speed:** 1850 rpm
- **Nominal size:** 150 mm
- **Material:** ABS/PP
- **Place of installation:** Wall
- **Mounting type:** surface mounted
- **Fan weight:** 0.56 kg
- **A:** 170 mm
- **B:** 183 mm
- **C:** 88 mm
- **D:** 149 mm
- **E:** 14 mm
- **Mounting hole:** Ø150 mm



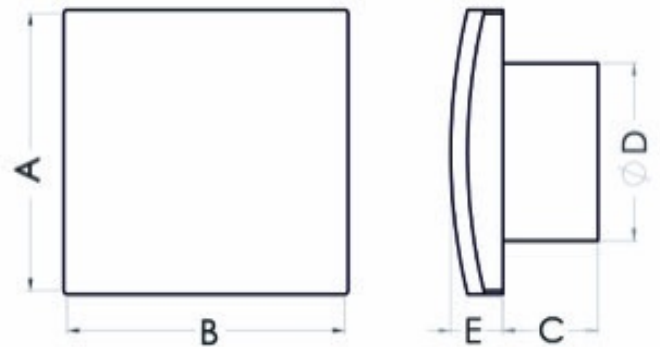


Bathroom fan Eol 150FT

SKU: 90184378



- **Rated voltage:** 230 V
- **Colour:** white
- **Mains frequency:** 50 Hz
- **Power consumption:** 22 W
- **Air output:** 200 m3/h
- **Bearing type:** sliding
- **Degree of protection (IP):** IP-X4
- **Sound pressure level:** 45 dB (A)
- **Speed:** 1850 rpm
- **Nominal size:** 200 mm
- **Material:** ABS/PP
- **Place of installation:** Wall
- **Mounting type:** surface mounted
- **Fan weight:** 0.57 kg
- **A:** 170 mm
- **B:** 183 mm
- **C:** 88 mm
- **D:** 149 mm
- **E:** 14 mm
- **Mounting hole:** Ø150 mm



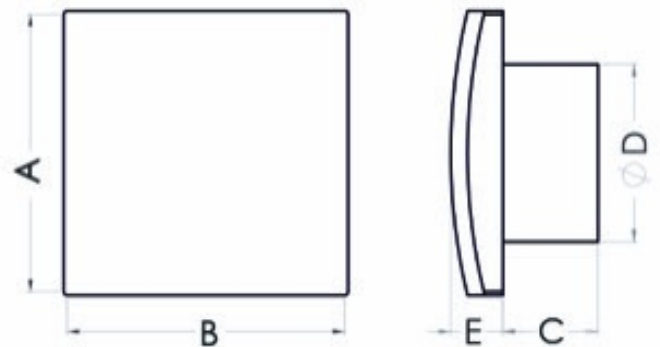


Bathroom fan Eol 150HT

SKU: 93468972



- **Rated voltage:** 230 V
- **Colour:** white
- **Mains frequency:** 50 Hz
- **Power consumption:** 22 W
- **Air output:** 200 m³/h
- **Bearing type:** sliding
- **Degree of protection (IP):** IP-X4
- **Sound pressure level:** 45 dB (A)
- **Speed:** 1850 rpm
- **Nominal size:** 150 mm
- **Material:** ABS/PP
- **Place of installation:** Wall
- **Mounting type:** surface mounted
- **Fan weight:** 0.57 kg
- **A:** 170 mm
- **B:** 183 mm
- **C:** 88 mm
- **D:** 149 mm
- **E:** 14 mm
- **Mounting hole:** Ø150 mm



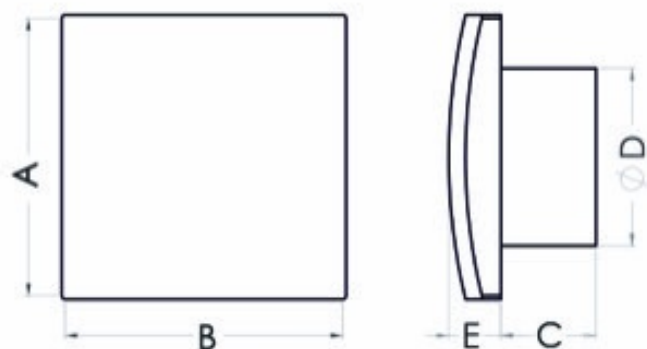


Bathroom fan Eol 150T

SKU: 93462839



- **Rated voltage:** 230 V
- **Colour:** white
- **Mains frequency:** 50 Hz
- **Power consumption:** 22 W
- **Air output:** 200 m³/h
- **Bearing type:** sliding
- **Degree of protection (IP):** IP-X4
- **Sound pressure level:** 45 dB (A)
- **Speed:** 1850 rpm
- **Nominal size:** 150 mm
- **Material:** ABS/PP
- **Place of installation:** Wall
- **Mounting type:** surface mounted
- **Fan weight:** 0.57 kg
- **A:** 170 mm
- **B:** 183 mm
- **C:** 88 mm
- **D:** 149 mm
- **E:** 14 mm
- **Mounting hole:** Ø150 mm



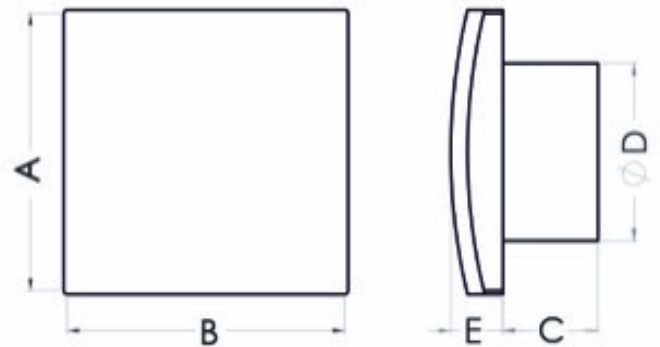


Bathroom fan Eol F10

SKU: 95173915



- **Rated voltage:** 230 V
- **Colour:** white
- **Mains frequency:** 50 Hz
- **Power consumption:** 19 W
- **Air output:** 100 m³/h
- **Bearing type:** sliding
- **Degree of protection (IP):** IP-X4
- **Sound pressure level:** 39.5 dB (A)
- **Speed:** 2550 rpm
- **Nominal size:** 100 mm
- **Material:** ABS/PP
- **Mounting location:** Wall
- **Mounting type:** surface mounted
- **Fan weight:** 0.53 kg
- **A:** 141 mm
- **B:** 131 mm
- **C:** 84 mm
- **D:** 99 mm
- **E:** 29 mm
- **Mounting hole:** Ø100 mm



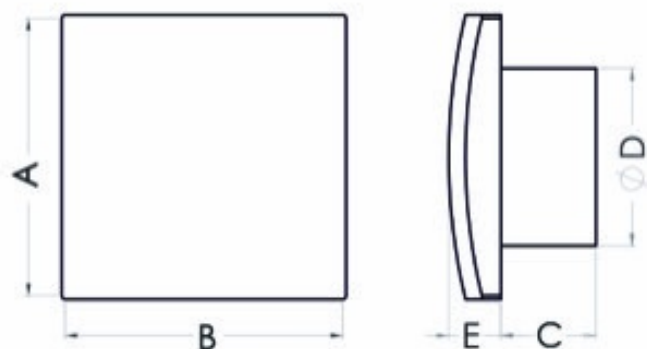


Bathroom fan Eol F10B

SKU: 95177972



- **Rated voltage:** 230 V
- **Colour:** white
- **Mains frequency:** 50 Hz
- **Power consumption:** 19 W
- **Air output:** 100 m³/h
- **Bearing type:** sliding
- **Degree of protection (IP):** IP-X4
- **Sound pressure level:** 39.5 dB (A)
- **Speed:** 2550 rpm
- **Nominal size:** 100 mm
- **Material:** ABS/PP
- **Mounting location:** Wall
- **Mounting type:** surface-mounted
- **Fan weight:** 0.46 kg
- **A:** 141 mm
- **B:** 131 mm
- **C:** 84 mm
- **D:** 99 mm
- **E:** 29 mm
- **Mounting hole:** Ø100 mm



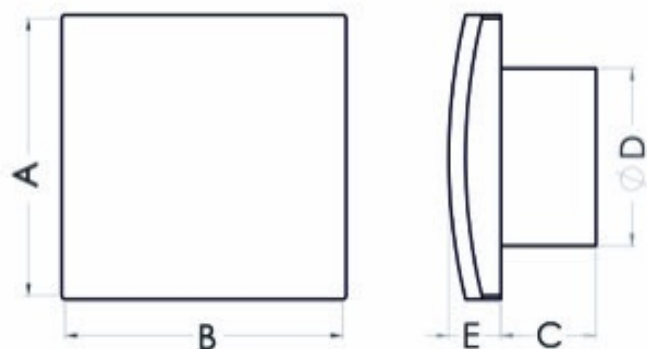


Bathroom fan Eol F10BGF

SKU: 95224440



- **Rated voltage:** 230 V
- **Colour:** white
- **Mains frequency:** 50 Hz
- **Power consumption:** 19 W
- **Air output:** 100 m³/h
- **Bearing type:** sliding
- **Degree of protection (IP):** IP-X4
- **Sound pressure level:** 39.5 dB (A)
- **Speed:** 2550 rpm
- **Nominal size:** 100 mm
- **Material:** ABS/PP
- **Mounting location:** Wall
- **Mounting type:** surface-mounted
- **Fan weight:** 0.46 kg
- **A:** 141 mm
- **B:** 131 mm
- **C:** 84 mm
- **D:** 99 mm
- **E:** 29 mm
- **Mounting hole:** Ø100 mm



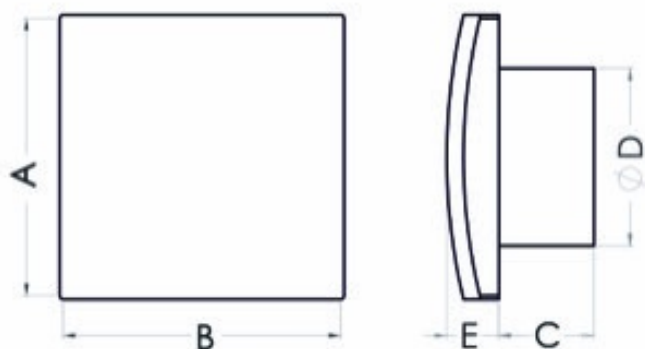


Bathroom fan Eol F10BINOX

SKU: 95301609



- **Rated voltage:** 230 V
- **Colour:** inox
- **Mains frequency:** 50 Hz
- **Power consumption:** 19 W
- **Air output:** 100 m³/h
- **Bearing type:** sliding
- **Degree of protection (IP):** IP-X4
- **Sound pressure level:** 39.5 dB (A)
- **Speed:** 2550 rpm
- **Nominal size:** 100 mm
- **Material:** ABS/PP
- **Mounting location:** Wall
- **Mounting type:** surface-mounted
- **Fan weight:** 0.54 kg
- **A:** 141 mm
- **B:** 131 mm
- **C:** 84 mm
- **D:** 99 mm
- **E:** 30 mm
- **Mounting hole:** Ø100 mm



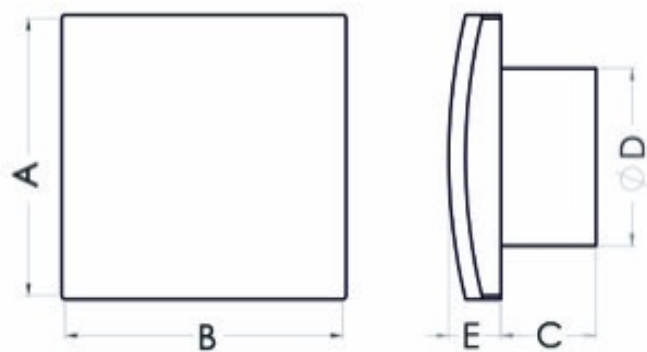


Bathroom fan Eol F10BSF

SKU: 95200120



- **Rated voltage:** 230 V
- **Colour:** silver
- **Mains frequency:** 50 Hz
- **Power consumption:** 19 W
- **Air output:** 100 m³/h
- **Bearing type:** sliding
- **Degree of protection (IP):** IP-X4
- **Sound pressure level:** 39.5 dB (A)
- **Speed:** 2550 rpm
- **Nominal size:** 100 mm
- **Material:** ABS/PP
- **Mounting location:** Wall
- **Mounting type:** surface mounted
- **Fan weight:** 0.46 kg
- **A:** 141 mm
- **B:** 131 mm
- **C:** 84 mm
- **D:** 99 mm
- **E:** 29 mm
- **Mounting hole:** Ø100 mm



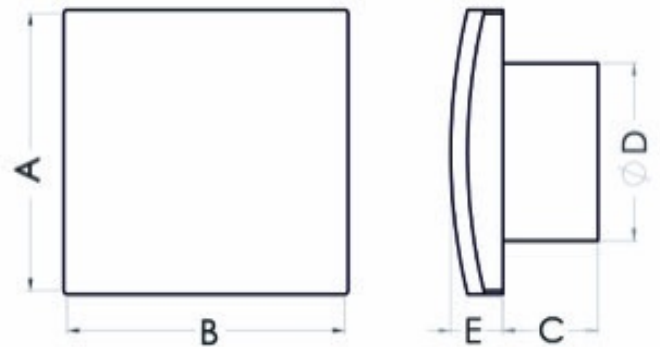


Bathroom fan Eol F10GF

SKU: 95220853



- **Rated voltage:** 230 V
- **Colour:** gold
- **Mains frequency:** 50 Hz
- **Power consumption:** 19 W
- **Air output:** 100 m³/h
- **Bearing type:** sliding
- **Degree of protection (IP):** IP-X4
- **Sound pressure level:** 39.5 dB (A)
- **Speed:** 2550 rpm
- **Nominal size:** 100 mm
- **Material:** ABS/PP
- **Mounting location:** Wall
- **Mounting type:** surface mounted
- **Fan weight:** 0.53 kg
- **A:** 141 mm
- **B:** 131 mm
- **C:** 84 mm
- **D:** 99 mm
- **E:** 29 mm
- **Mounting hole:** Ø100 mm



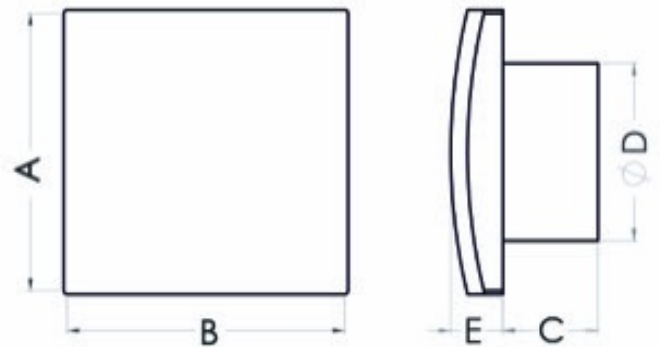


Bathroom fan Eol F10HT

SKU: 95189367



- **Rated voltage:** 230 V
- **Colour:** white
- **Mains frequency:** 50 Hz
- **Power consumption:** 19 W
- **Air output:** 100 m³/h
- **Bearing type:** sliding
- **Degree of protection (IP):** IP-X4
- **Sound pressure level:** 39.5 dB (A)
- **Speed:** 2550 rpm
- **Nominal size:** 100 mm
- **Material:** ABS/PP
- **Mounting location:** Wall
- **Mounting type:** surface-mounted
- **Fan weight:** 0.47 kg
- **A:** 141 mm
- **B:** 131 mm
- **C:** 84 mm
- **D:** 99 mm
- **E:** 29 mm
- **Mounting hole:** Ø100 mm



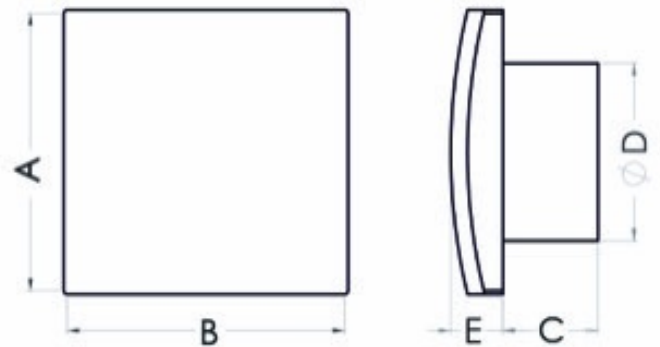


Bathroom fan Eol F10HTGF

SKU: 95232211



- **Rated voltage:** 230 V
- **Colour:** gold
- **Mains frequency:** 50 Hz
- **Power consumption:** 19 W
- **Air output:** 100 m³/h
- **Bearing type:** sliding
- **Degree of protection (IP):** IP-X4
- **Sound pressure level:** 39.5 dB (A)
- **Speed:** 2550 rpm
- **Nominal size:** 100 mm
- **Material:** ABS/PP
- **Mounting location:** Wall
- **Mounting type:** surface mounted
- **Fan weight:** 0.46 kg
- **A:** 141 mm
- **B:** 131 mm
- **C:** 84 mm
- **D:** 99 mm
- **E:** 29 mm
- **Mounting hole:** Ø100 mm



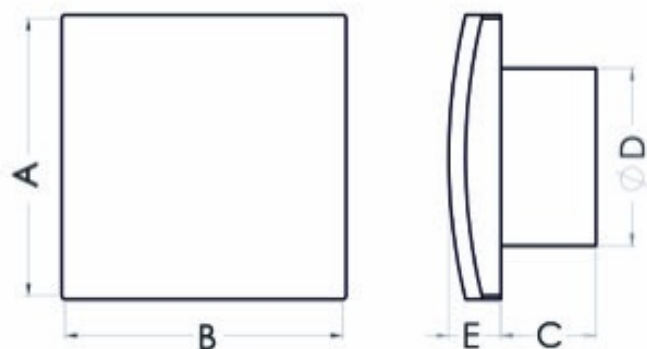


Bathroom fan Eol F10HTINOX

SKU: 95305591



- **Rated voltage:** 230 V
- **Colour:** inox
- **Mains frequency:** 50 Hz
- **Power consumption:** 19 W
- **Air output:** 100 m³/h
- **Bearing type:** sliding
- **Degree of protection (IP):** IP-X4
- **Sound pressure level:** 39.5 dB (A)
- **Speed:** 2550 rpm
- **Nominal size:** 100 mm
- **Material:** ABS/PP
- **Mounting location:** Wall
- **Mounting type:** surface-mounted
- **Fan weight:** 0.54 kg
- **A:** 141 mm
- **B:** 131 mm
- **C:** 84 mm
- **D:** 99 mm
- **E:** 30 mm
- **Mounting hole:** Ø100 mm



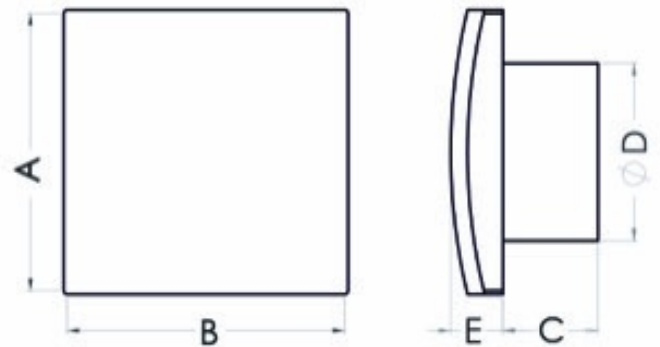


Bathroom fan Eol F10HTSF

SKU: 95204351



- **Rated voltage:** 230 V
- **Colour:** silver
- **Mains frequency:** 50 Hz
- **Power consumption:** 19 W
- **Air output:** 100 m³/h
- **Bearing type:** sliding
- **Degree of protection (IP):** IP-X4
- **Sound pressure level:** 39.5 dB (A)
- **Speed:** 2550 rpm
- **Nominal size:** 100 mm
- **Material:** ABS/PP
- **Mounting location:** Wall
- **Mounting type:** surface mounted
- **Fan weight:** 0.46 kg
- **A:** 141 mm
- **B:** 131 mm
- **C:** 84 mm
- **D:** 99 mm
- **E:** 29 mm
- **Mounting hole:** Ø100 mm



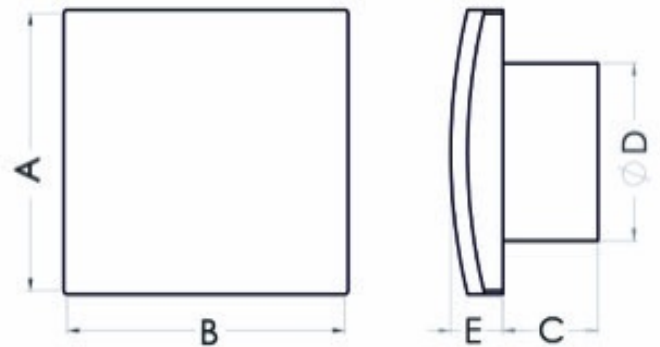


Bathroom fan Eol F10INOX

SKU: 95298601



- **Rated voltage:** 230 V
- **Colour:** inox
- **Mains frequency:** 50 Hz
- **Power consumption:** 19 W
- **Air output:** 100 m³/h
- **Bearing type:** sliding
- **Degree of protection (IP):** IP-X4
- **Sound pressure level:** 39.5 dB (A)
- **Speed:** 2550 rpm
- **Nominal size:** 100 mm
- **Material:** ABS/PP
- **Mounting location:** Wall
- **Mounting type:** surface mounted
- **Fan weight:** 0.61 kg
- **A:** 141 mm
- **B:** 131 mm
- **C:** 84 mm
- **D:** 99 mm
- **E:** 30 mm
- **Mounting hole:** Ø100 mm



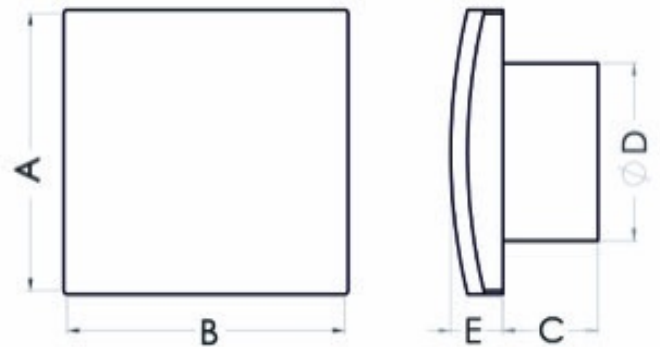


Bathroom fan Eol F10SF

SKU: 95199477



- **Rated voltage:** 230 V
- **Colour:** silver
- **Mains frequency:** 50 Hz
- **Power consumption:** 19 W
- **Air output:** 100 m³/h
- **Bearing type:** sliding
- **Degree of protection (IP):** IP-X4
- **Sound pressure level:** 39.5 dB (A)
- **Speed:** 2550 rpm
- **Nominal size:** 100 mm
- **Material:** ABS/PP
- **Mounting location:** Wall
- **Mounting type:** surface mounted
- **Fan weight:** 0.53 kg
- **A:** 141 mm
- **B:** 131 mm
- **C:** 84 mm
- **D:** 99 mm
- **E:** 29 mm
- **Mounting hole:** Ø100 mm



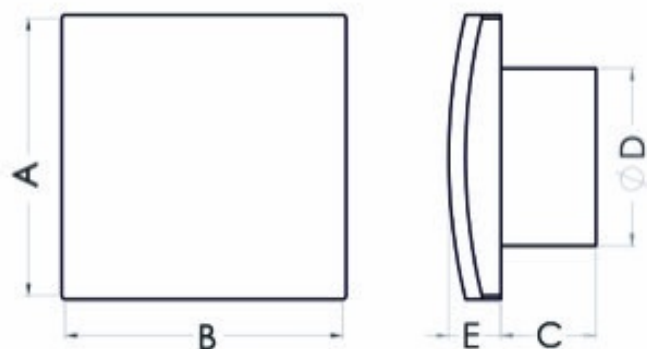


Bathroom fan Eol F10TINOX

SKU: 95303061



- **Rated voltage:** 230 V
- **Colour:** inox
- **Mains frequency:** 50 Hz
- **Power consumption:** 19 W
- **Air output:** 100 m³/h
- **Bearing type:** sliding
- **Degree of protection (IP):** IP-X4
- **Sound pressure level:** 39.5 dB (A)
- **Speed:** 2550 rpm
- **Nominal size:** 100 mm
- **Material:** ABS/PP
- **Mounting location:** Wall
- **Mounting type:** surface-mounted
- **Fan weight:** 0.54 kg
- **A:** 141 mm
- **B:** 131 mm
- **C:** 84 mm
- **D:** 99 mm
- **E:** 30 mm
- **Mounting hole:** Ø100 mm



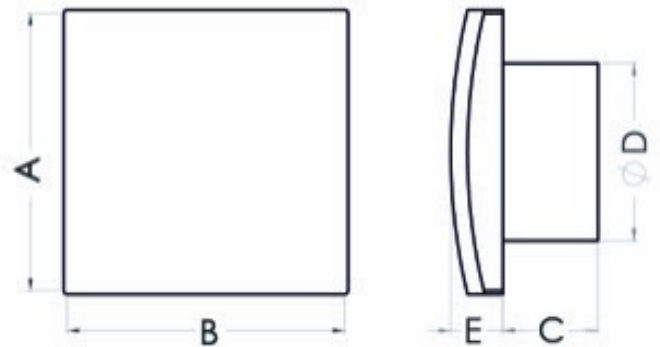


Bathroom fan Eol F10TSF

SKU: 95201779



- **Rated voltage:** 230 V
- **Colour:** silver
- **Mains frequency:** 50 Hz
- **Power consumption:** 19 W
- **Air output:** 100 m³/h
- **Bearing type:** sliding
- **Degree of protection (IP):** IP-X4
- **Sound pressure level:** 39.5 dB (A)
- **Speed:** 2550 rpm
- **Nominal size:** 100 mm
- **Material:** ABS/PP
- **Mounting location:** Wall
- **Mounting type:** surface mounted
- **Fan weight:** 0.46 kg
- **A:** 141 mm
- **B:** 131 mm
- **C:** 84 mm
- **D:** 99 mm
- **E:** 29 mm
- **Mounting hole:** Ø100 mm



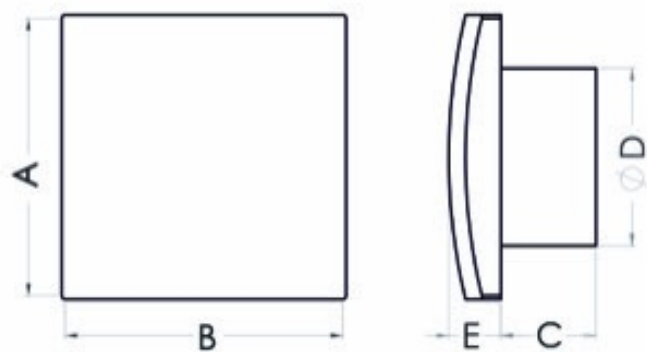


Bathroom fan Eol F12B

SKU: 95323191



- **Rated voltage:** 230 V
- **Colour:** white
- **Mains frequency:** 50 Hz
- **Power consumption:** 20 W
- **Air output:** 150 m³/h
- **Bearing type:** sliding
- **Degree of protection (IP):** IP-X4
- **Sound pressure level:** 42 dB (A)
- **Speed:** 2360 rpm
- **Nominal size:** 120 mm
- **Material:** ABS/PP
- **Place of installation:** Wall
- **Mounting type:** surface mounted
- **Fan weight:** 0.58 kg
- **A:** 150 mm
- **B:** 162 mm
- **C:** 88 mm
- **D:** 119 mm
- **E:** 28 mm
- **Mounting hole:** Ø120 mm



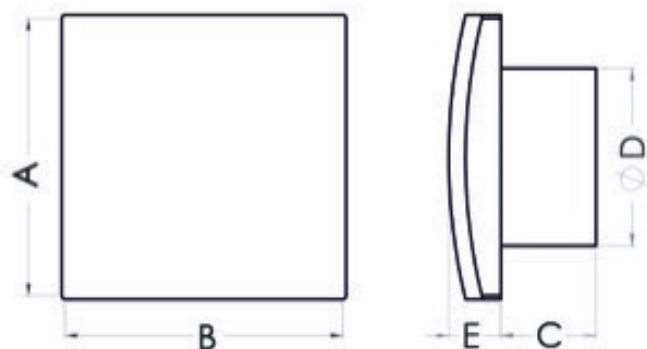


Bathroom fan Eol F12BGF

SKU: 95357532



- **Rated voltage:** 230 V
- **Colour:** gold
- **Mains frequency:** 50 Hz
- **Power consumption:** 20 W
- **Air output:** 150 m³/h
- **Bearing type:** sliding
- **Degree of protection (IP):** IP-X4
- **Sound pressure level:** 42 dB (A)
- **Speed:** 2360 rpm
- **Nominal size:** 120 mm
- **Material:** ABS/PP
- **Place of installation:** Wall
- **Mounting type:** surface mounted
- **Fan weight:** 0.58 kg
- **A:** 150 mm
- **B:** 162 mm
- **C:** 88 mm
- **D:** 119 mm
- **E:** 28 mm
- **Mounting hole:** Ø120 mm



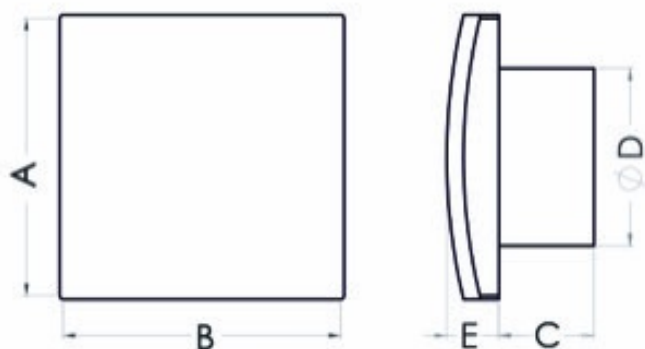


Bathroom fan Eol F12BINOX

SKU: 95798481



- **Rated voltage:** 230 V
- **Colour:** inox
- **Mains frequency:** 50 Hz
- **Power consumption:** 20 W
- **Air output:** 150 m³/h
- **Bearing type:** sliding
- **Degree of protection (IP):** IP-X4
- **Sound pressure level:** 42 dB (A)
- **Speed:** 2360 rpm
- **Nominal size:** 120 mm
- **Material:** ABS/PP
- **Place of installation:** Wall
- **Mounting type:** surface mounted
- **Fan weight:** 0.67 kg
- **A:** 150 mm
- **B:** 162 mm
- **C:** 88 mm
- **D:** 119 mm
- **E:** 29 mm
- **Mounting hole:** Ø120 mm



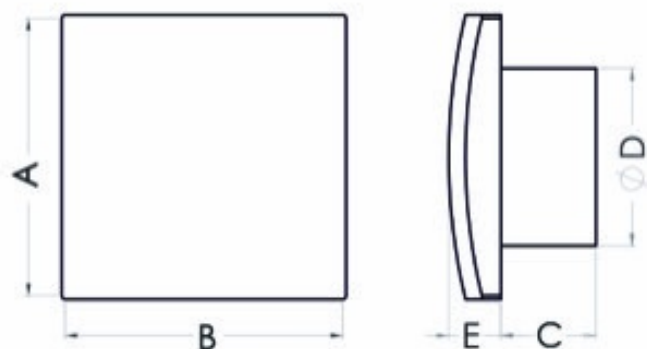


Bathroom fan Eol F12BSF

SKU: 95334475



- **Rated voltage:** 230 V
- **Colour:** silver
- **Mains frequency:** 50 Hz
- **Power consumption:** 20 W
- **Air output:** 150 m³/h
- **Bearing type:** sliding
- **Degree of protection (IP):** IP-X4
- **Sound pressure level:** 42 dB (A)
- **Speed:** 2360 rpm
- **Nominal size:** 120 mm
- **Material:** ABS/PP
- **Place of installation:** Wall
- **Mounting type:** surface mounted
- **Fan weight:** 0.58 kg
- **A:** 150 mm
- **B:** 162 mm
- **C:** 88 mm
- **D:** 119 mm
- **E:** 28 mm
- **Mounting hole:** Ø120 mm



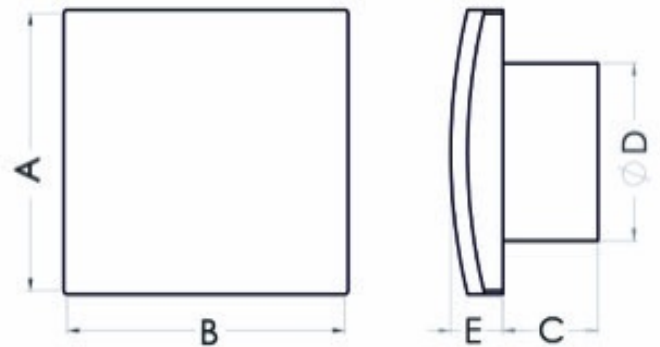


Bathroom fan Eol F12GF

SKU: 95355115



- **Rated voltage:** 230 V
- **Colour:** gold
- **Mains frequency:** 50 Hz
- **Power consumption:** 20 W
- **Air output:** 150 m³/h
- **Bearing type:** sliding
- **Degree of protection (IP):** IP-X4
- **Sound pressure level:** 42 dB (A)
- **Speed:** 2360 rpm
- **Nominal size:** 120 mm
- **Material:** ABS/PP
- **Place of installation:** Wall
- **Mounting type:** surface mounted
- **Fan weight:** 0.65 kg
- **A:** 150 mm
- **B:** 162 mm
- **C:** 88 mm
- **D:** 119 mm
- **E:** 28 mm
- **Mounting hole:** Ø120 mm



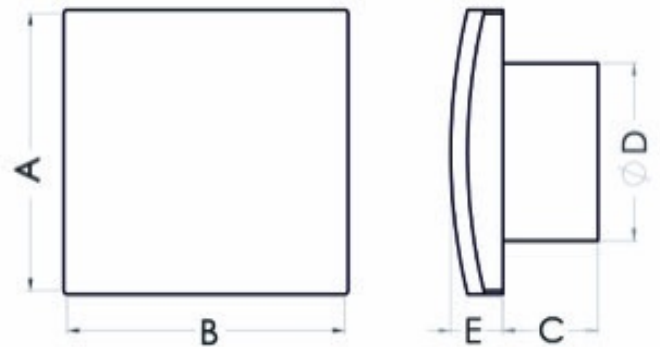


Bathroom fan Eol F12HTGF

SKU: 95797497



- **Rated voltage:** 230 V
- **Colour:** gold
- **Mains frequency:** 50 Hz
- **Power consumption:** 20 W
- **Air output:** 150 m³/h
- **Bearing type:** sliding
- **Degree of protection (IP):** IP-X4
- **Sound pressure level:** 42 dB (A)
- **Speed:** 2360 rpm
- **Nominal size:** 120 mm
- **Material:** ABS/PP
- **Place of installation:** Wall
- **Mounting type:** surface-mounted
- **Fan weight:** 0.59 kg
- **A:** 150 mm
- **B:** 162 mm
- **C:** 88 mm
- **D:** 119 mm
- **E:** 28 mm
- **Mounting hole:** Ø120 mm



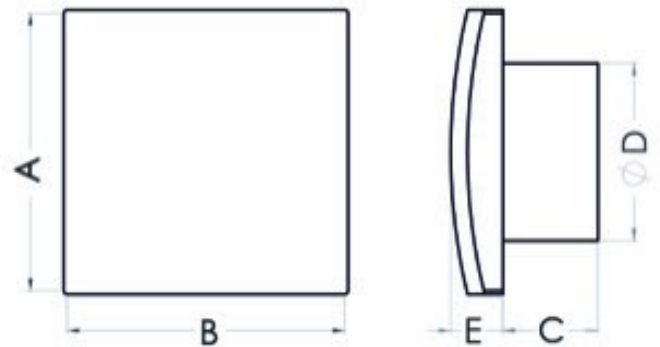


Bathroom fan Eol F12HTINOX

SKU: 95799545



- **Rated voltage:** 230 V
- **Colour:** inox
- **Mains frequency:** 50 Hz
- **Power consumption:** 20 W
- **Air output:** 150 m³/h
- **Bearing type:** sliding
- **Degree of protection (IP):** IP-X4
- **Sound pressure level:** 42 dB (A)
- **Speed:** 2360 rpm
- **Nominal size:** 120 mm
- **Material:** ABS/PP
- **Place of installation:** Wall
- **Mounting type:** surface-mounted
- **Fan weight:** 0.68 kg
- **A:** 150 mm
- **B:** 162 mm
- **C:** 88 mm
- **D:** 119 mm
- **E:** 29 mm
- **Mounting hole:** Ø120 mm



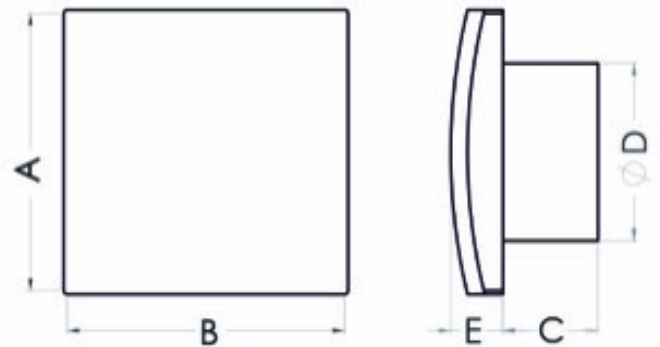


Bathroom fan Eol F12HTSF

SKU: 95342187



- **Rated voltage:** 230 V
- **Colour:** silver
- **Mains frequency:** 50 Hz
- **Power consumption:** 20 W
- **Air output:** 150 m³/h
- **Bearing type:** sliding
- **Degree of protection (IP):** IP-X4
- **Sound pressure level:** 42 dB (A)
- **Speed:** 2360 rpm
- **Nominal size:** 120 mm
- **Material:** ABS/PP
- **Place of installation:** Wall
- **Mounting type:** surface-mounted
- **Fan weight:** 0.59 kg
- **A:** 150 mm
- **B:** 162 mm
- **C:** 88 mm
- **D:** 119 mm
- **E:** 28 mm
- **Mounting hole:** Ø120 mm



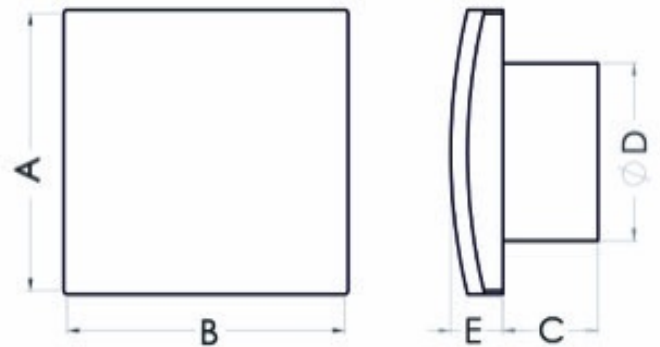


Bathroom fan Eol F12INOX

SKU: 95797880



- **Rated voltage:** 230 V
- **Colour:** inox
- **Mains frequency:** 50 Hz
- **Power consumption:** 20 W
- **Air output:** 150 m3/h
- **Bearing type:** sliding
- **Degree of protection (IP):** IP-X4
- **Sound pressure level:** 42 dB (A)
- **Speed:** 2360 rpm
- **Nominal size:** 120 mm
- **Material:** ABS/PP
- **Place of installation:** Wall
- **Mounting type:** surface mounted
- **Fan weight:** 0.74 kg
- **A:** 150 mm
- **B:** 162 mm
- **C:** 88 mm
- **D:** 119 mm
- **E:** 29 mm
- **Mounting hole:** Ø120 mm



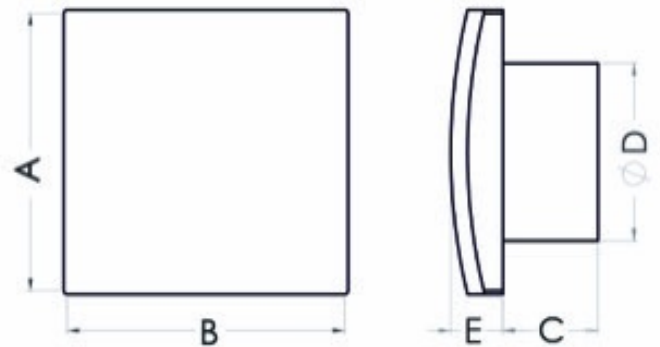


Bathroom fan Eol F12SF

SKU: 95332223



- **Rated voltage:** 230 V
- **Colour:** silver
- **Mains frequency:** 50 Hz
- **Power consumption:** 20 W
- **Air output:** 150 m³/h
- **Bearing type:** sliding
- **Degree of protection (IP):** IP-X4
- **Sound pressure level:** 42 dB (A)
- **Speed:** 2360 rpm
- **Nominal size:** 120 mm
- **Material:** ABS/PP
- **Place of installation:** Wall
- **Mounting type:** surface mounted
- **Fan weight:** 0.65 kg
- **A:** 150 mm
- **B:** 162 mm
- **C:** 88 mm
- **D:** 119 mm
- **E:** 28 mm
- **Mounting hole:** Ø120 mm



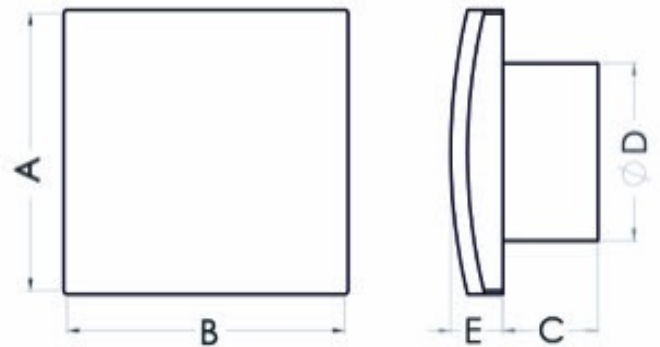


Bathroom fan Eol F12T

SKU: 95325311



- **Rated voltage:** 230 V
- **Colour:** white
- **Mains frequency:** 50 Hz
- **Power consumption:** 20 W
- **Air output:** 150 m³/h
- **Bearing type:** sliding
- **Degree of protection (IP):** IP-X4
- **Sound pressure level:** 42 dB (A)
- **Speed:** 2360 rpm
- **Nominal size:** 120 mm
- **Material:** ABS/PP
- **Place of installation:** Wall
- **Mounting type:** surface-mounted
- **Fan weight:** 0.59 kg
- **A:** 150 mm
- **B:** 162 mm
- **C:** 88 mm
- **D:** 119 mm
- **E:** 28 mm
- **Mounting hole:** Ø120 mm



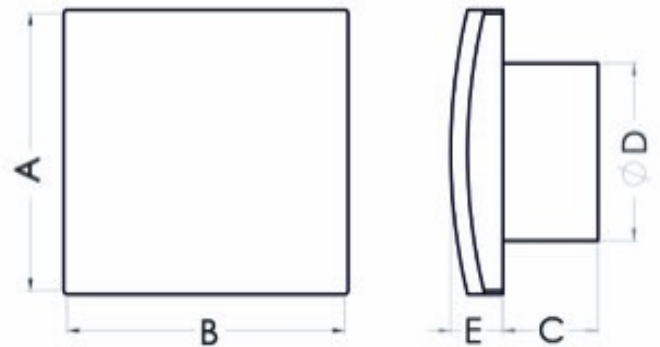


Bathroom fan Eol F12TGF

SKU: 95797125



- **Rated voltage:** 230 V
- **Colour:** gold
- **Mains frequency:** 50 Hz
- **Power consumption:** 20 W
- **Air output:** 150 m³/h
- **Bearing type:** sliding
- **Degree of protection (IP):** IP-X4
- **Sound pressure level:** 42 dB (A)
- **Speed:** 2360 rpm
- **Nominal size:** 120 mm
- **Material:** ABS/PP
- **Place of installation:** Wall
- **Mounting type:** surface-mounted
- **Fan weight:** 0.59 kg
- **A:** 150 mm
- **B:** 162 mm
- **C:** 88 mm
- **D:** 119 mm
- **E:** 28 mm
- **Mounting hole:** Ø120 mm



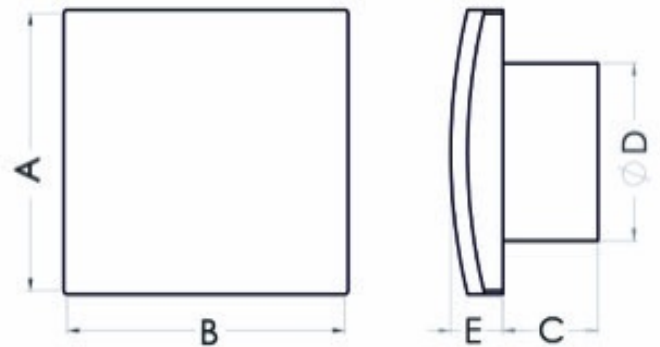


Bathroom fan Eol F12TINOX

SKU: 95799204



- **Rated voltage:** 230 V
- **Colour:** inox
- **Mains frequency:** 50 Hz
- **Power consumption:** 20 W
- **Air output:** 150 m³/h
- **Bearing type:** sliding
- **Degree of protection (IP):** IP-X4
- **Sound pressure level:** 42 dB (A)
- **Speed:** 2360 rpm
- **Nominal size:** 120 mm
- **Material:** ABS/PP
- **Place of installation:** Wall
- **Mounting type:** surface-mounted
- **Fan weight:** 0.68 kg
- **A:** 150 mm
- **B:** 162 mm
- **C:** 88 mm
- **D:** 119 mm
- **E:** 29 mm
- **Mounting hole:** Ø120 mm



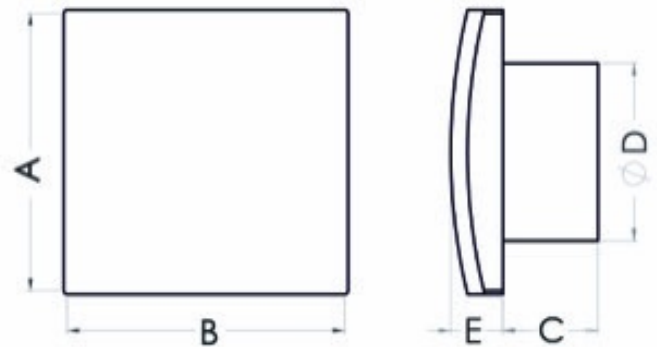


Bathroom fan Eol F12TSF

SKU: 95340132



- **Rated voltage:** 230 V
- **Colour:** silver
- **Mains frequency:** 50 Hz
- **Power consumption:** 20 W
- **Air output:** 150 m³/h
- **Bearing type:** sliding
- **Degree of protection (IP):** IP-X4
- **Sound pressure level:** 42 dB (A)
- **Speed:** 2360 rpm
- **Nominal size:** 120 mm
- **Material:** ABS/PP
- **Place of installation:** Wall
- **Mounting type:** surface-mounted
- **Fan weight:** 0.59 kg
- **A:** 150 mm
- **B:** 162 mm
- **C:** 88 mm
- **D:** 119 mm
- **E:** 28 mm
- **Mounting hole:** Ø120 mm



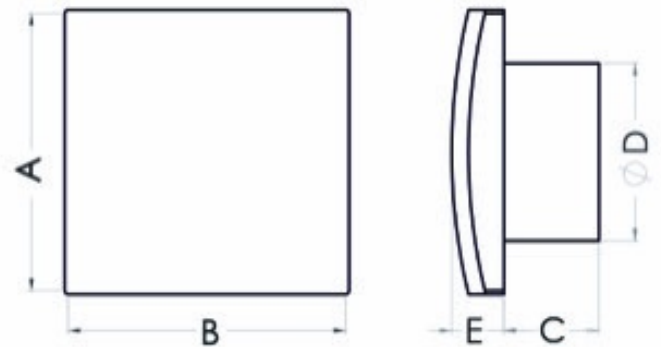


Bathroom fan Eol F15

SKU: 95800586



- **Rated voltage:** 230 V
- **Colour:** white
- **Mains frequency:** 50 Hz
- **Power consumption:** 22 W
- **Air output:** 200 m³/h
- **Bearing type:** sliding
- **Degree of protection (IP):** IP-X4
- **Sound pressure level:** 45 dB (A)
- **Speed:** 1850 rpm
- **Nominal size:** 150 mm
- **Material:** ABS/PP
- **Place of installation:** Wall
- **Mounting type:** surface mounted
- **Fan weight:**
- **A:** 170 mm
- **B:** 183 mm
- **C:** 88 mm
- **D:** 149 mm
- **E:** 30 mm
- **Mounting hole:** Ø150 mm



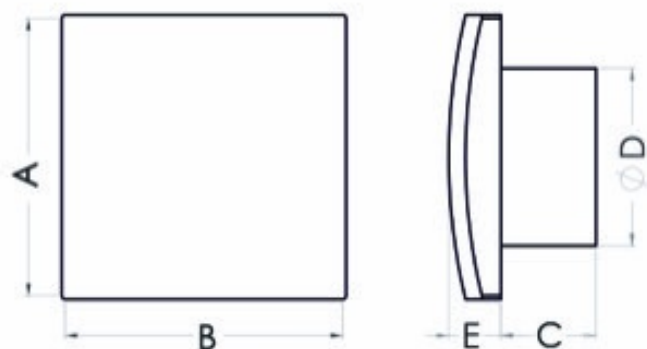


Bathroom fan Eol F15B

SKU: 95802274



- **Rated voltage:** 230 V
- **Colour:** white
- **Mains frequency:** 50 Hz
- **Power consumption:** 22 W
- **Air output:** 200 m³/h
- **Bearing type:** sliding
- **Degree of protection (IP):** IP-X4
- **Sound pressure level:** 45 dB (A)
- **Speed:** 1850 rpm
- **Nominal size:** 150 mm
- **Material:** ABS/PP
- **Place of installation:** Wall
- **Mounting type:** surface mounted
- **Fan weight:** 0.63 kg
- **A:** 170 mm
- **B:** 183 mm
- **C:** 88 mm
- **D:** 149 mm
- **E:** 30 mm
- **Mounting hole:** Ø150 mm



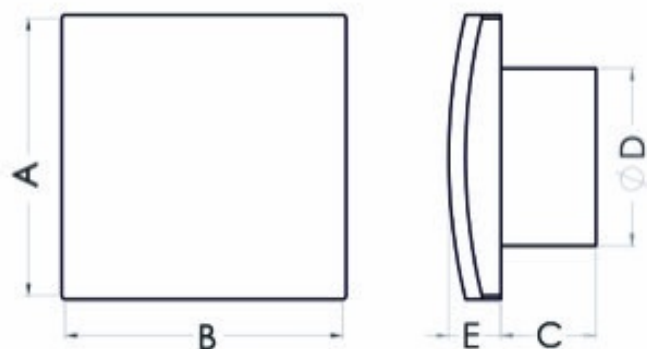


Bathroom fan Eol F15BGF

SKU: 96458726



- **Rated voltage:** 230 V
- **Colour:** gold
- **Mains frequency:** 50 Hz
- **Power consumption:** 22 W
- **Air output:** 200 m³/h
- **Bearing type:** sliding
- **Degree of protection (IP):** IP-X4
- **Sound pressure level:** 45 dB (A)
- **Speed:** 1850 rpm
- **Nominal size:** 150 mm
- **Material:** ABS/PP
- **Place of installation:** Wall
- **Mounting type:** surface mounted
- **Fan weight:** 0.63 kg
- **A:** 170 mm
- **B:** 183 mm
- **C:** 88 mm
- **D:** 149 mm
- **E:** 30 mm
- **Mounting hole:** Ø150 mm



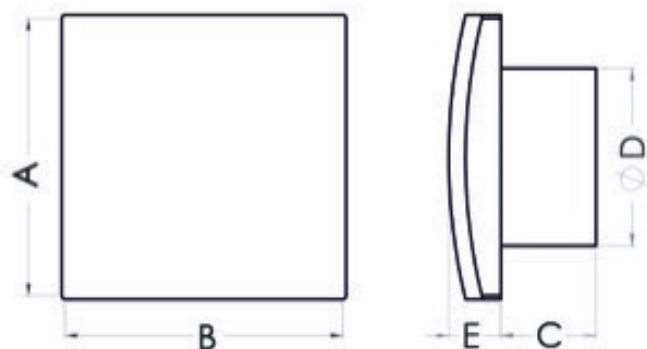


Bathroom fan Eol F15BINOX

SKU: 96462388



- **Rated voltage:** 230 V
- **Colour:** inox
- **Mains frequency:** 50 Hz
- **Power consumption:** 22 W
- **Air output:** 200 m³/h
- **Bearing type:** sliding
- **Degree of protection (IP):** IP-X4
- **Sound pressure level:** 45 dB (A)
- **Speed:** 1850 rpm
- **Nominal size:** 150 mm
- **Material:** ABS/PP
- **Place of installation:** Wall
- **Mounting type:** surface mounted
- **Fan weight:** 0.75 kg
- **A:** 170 mm
- **B:** 183 mm
- **C:** 88 mm
- **D:** 149 mm
- **E:** 30 mm
- **Mounting hole:** Ø150 mm



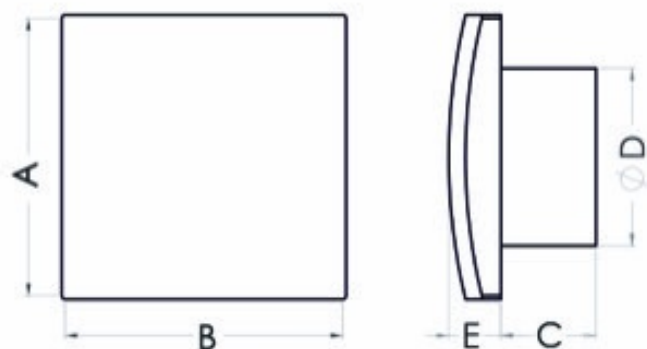


Bathroom fan Eol F15BSF

SKU: 95836205



- **Rated voltage:** 230 V
- **Colour:** silver
- **Mains frequency:** 50 Hz
- **Power consumption:** 22 W
- **Air output:** 200 m³/h
- **Bearing type:** sliding
- **Degree of protection (IP):** IP-X4
- **Sound pressure level:** 45 dB (A)
- **Speed:** 1850 rpm
- **Nominal size:** 150 mm
- **Material:** ABS/PP
- **Place of installation:** Wall
- **Mounting type:** surface mounted
- **Fan weight:** 0.63 kg
- **A:** 170 mm
- **B:** 183 mm
- **C:** 88 mm
- **D:** 149 mm
- **E:** 30 mm
- **Mounting hole:** Ø150 mm



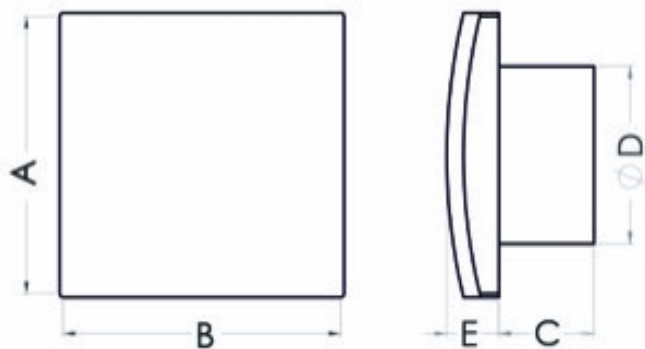


Bathroom fan Eol F15HT

SKU: 95821401



- **Rated voltage:** 230 V
- **Colour:** white
- **Mains frequency:** 50 Hz
- **Power consumption:** 22 W
- **Air output:** 200 m³/h
- **Bearing type:** sliding
- **Degree of protection (IP):** IP-X4
- **Sound pressure level:** 45 dB (A)
- **Speed:** 1850 rpm
- **Nominal size:** 150 mm
- **Material:** ABS/PP
- **Place of installation:** Wall
- **Mounting type:** surface-mounted
- **Fan weight:** 0.64 kg
- **A:** 170 mm
- **B:** 183 mm
- **C:** 88 mm
- **D:** 149 mm
- **E:** 30 mm
- **Mounting hole:** Ø150 mm



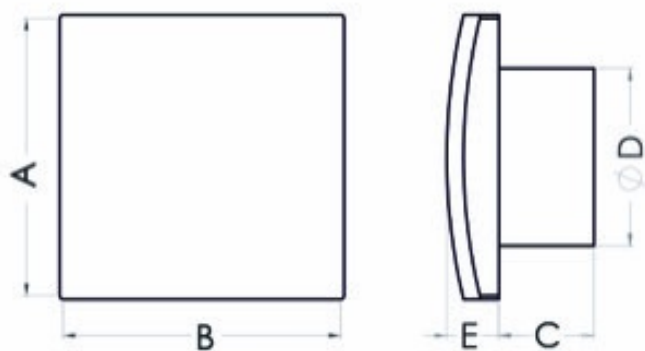


Bathroom fan Eol F15HTGF

SKU: 96460961



- **Rated voltage:** 230 V
- **Colour:** gold
- **Mains frequency:** 50 Hz
- **Power consumption:** 22 W
- **Air output:** 200 m³/h
- **Bearing type:** sliding
- **Degree of protection (IP):** IP-X4
- **Sound pressure level:** 45 dB (A)
- **Speed:** 1850 rpm
- **Nominal size:** 150 mm
- **Material:** ABS/PP
- **Place of installation:** Wall
- **Mounting type:** surface-mounted
- **Fan weight:** 0.64 kg
- **A:** 170 mm
- **B:** 183 mm
- **C:** 88 mm
- **D:** 149 mm
- **E:** 30 mm
- **Mounting hole:** Ø150 mm



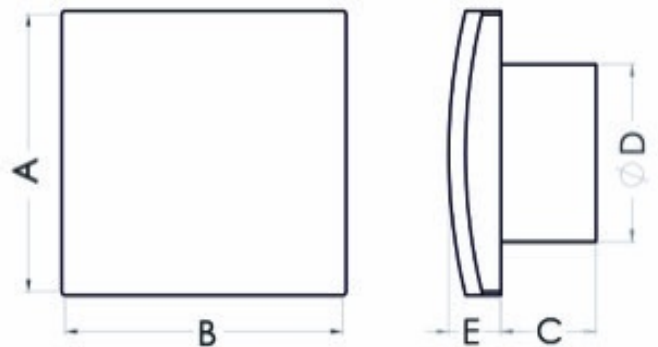


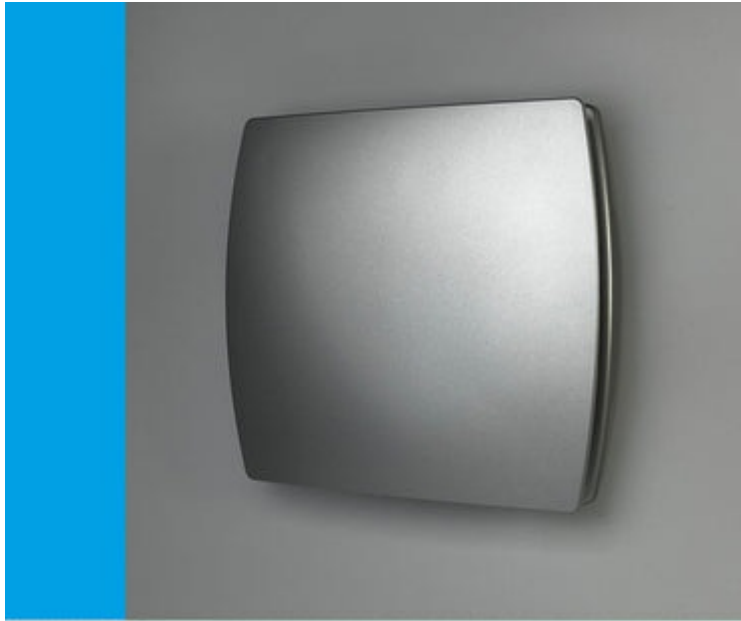
Bathroom fan Eol F15HTINOX

SKU: 97033647



- **Rated voltage:** 230 V
- **Colour:** inox
- **Mains frequency:** 50 Hz
- **Power consumption:** 22 W
- **Air output:** 200 m3/h
- **Bearing type:** sliding
- **Degree of protection (IP):** IP-X4
- **Sound pressure level:** 45 dB (A)
- **Speed:** 1850 rpm
- **Nominal size:** 150 mm
- **Material:** ABS/PP
- **Place of installation:** Wall
- **Mounting type:** surface mounted
- **Fan weight:** 0.77 kg
- **A:** 170 mm
- **B:** 183 mm
- **C:** 88 mm
- **D:** 149 mm
- **E:** 30 mm
- **Mounting hole:** Ø150 mm



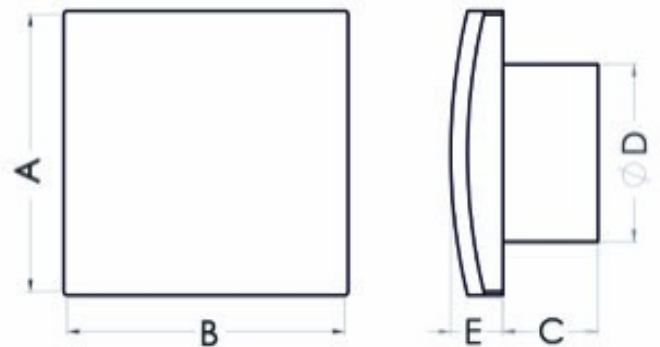


Bathroom fan Eol F15HTSF

SKU: 96029377



- **Rated voltage:** 230 V
- **Colour:** silver
- **Mains frequency:** 50 Hz
- **Power consumption:** 22 W
- **Air output:** 200 m³/h
- **Bearing type:** sliding
- **Degree of protection (IP):** IP-X4
- **Sound pressure level:** 45 dB (A)
- **Speed:** 1850 rpm
- **Nominal size:** 150 mm
- **Material:** ABS/PP
- **Place of installation:** Wall
- **Mounting type:** surface-mounted
- **Fan weight:** 0.64 kg
- **A:** 170 mm
- **B:** 183 mm
- **C:** 88 mm
- **D:** 149 mm
- **E:** 30 mm
- **Mounting hole:** Ø150 mm



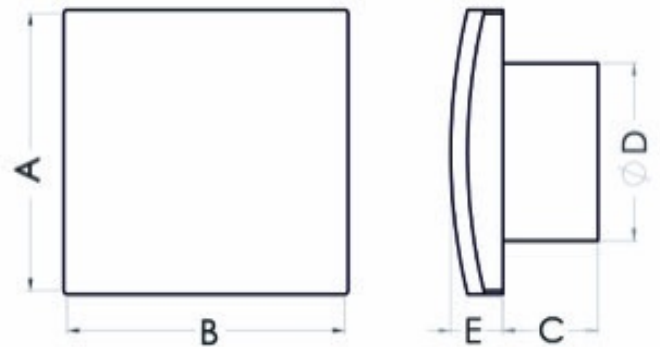


Bathroom fan Eol F15INOX

SKU: 96461687



- **Rated voltage:** 230 V
- **Colour:** inox
- **Mains frequency:** 50 Hz
- **Power consumption:** 22 W
- **Air output:** 200 m³/h
- **Bearing type:** sliding
- **Degree of protection (IP):** IP-X4
- **Sound pressure level:** 45 dB (A)
- **Speed:** 1850 rpm
- **Nominal size:** 150 mm
- **Material:** ABS/PP
- **Place of installation:** Wall
- **Mounting type:** surface mounted
- **Fan weight:** 0.83 kg
- **A:** 170 mm
- **B:** 183 mm
- **C:** 88 mm
- **D:** 149 mm
- **E:** 30 mm
- **Mounting hole:** Ø150 mm



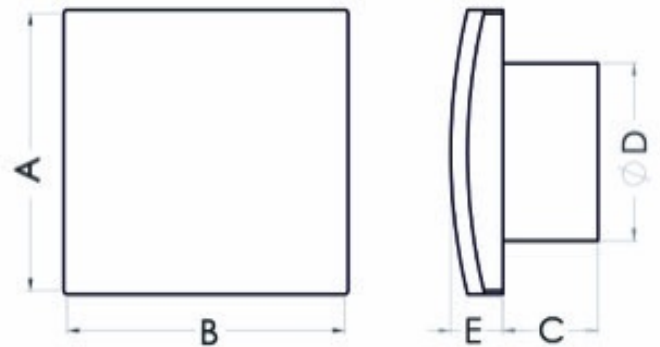


Bathroom fan Eol F15SF

SKU: 95834650



- **Rated voltage:** 230 V
- **Colour:** silver
- **Mains frequency:** 50 Hz
- **Power consumption:** 22 W
- **Air output:** 200 m³/h
- **Bearing type:** sliding
- **Degree of protection (IP):** IP-X4
- **Sound pressure level:** 45 dB (A)
- **Speed:** 1850 rpm
- **Nominal size:** 150 mm
- **Material:** ABS/PP
- **Place of installation:** Wall
- **Mounting type:** surface mounted
- **Fan weight:** 0.70 kg
- **A:** 170 mm
- **B:** 183 mm
- **C:** 88 mm
- **D:** 149 mm
- **E:** 30 mm
- **Mounting hole:** Ø150 mm



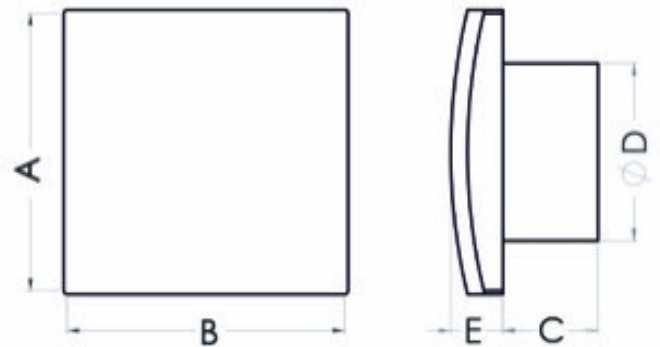


Bathroom fan Eol F15T

SKU: 95803917



- **Rated voltage:** 230 V
- **Colour:** white
- **Mains frequency:** 50 Hz
- **Power consumption:** 22 W
- **Air output:** 200 m³/h
- **Bearing type:** sliding
- **Degree of protection (IP):** IP-X4
- **Sound pressure level:** 45 dB (A)
- **Speed:** 1850 rpm
- **Nominal size:** 150 mm
- **Material:** ABS/PP
- **Place of installation:** Wall
- **Mounting type:** surface-mounted
- **Fan weight:** 0.64 kg
- **A:** 170 mm
- **B:** 183 mm
- **C:** 88 mm
- **D:** 149 mm
- **E:** 30 mm
- **Mounting hole:** Ø150 mm



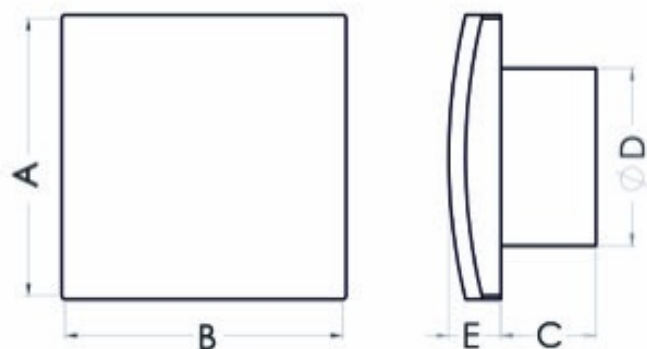


Bathroom fan Eol F15TGF

SKU: 96459318



- **Rated voltage:** 230 V
- **Colour:** gold
- **Mains frequency:** 50 Hz
- **Power consumption:** 22 W
- **Air output:** 200 m³/h
- **Bearing type:** sliding
- **Degree of protection (IP):** IP-X4
- **Sound pressure level:** 45 dB (A)
- **Speed:** 1850 rpm
- **Nominal size:** 150 mm
- **Material:** ABS/PP
- **Place of installation:** Wall
- **Mounting type:** surface-mounted
- **Fan weight:** 0.64 kg
- **A:** 170 mm
- **B:** 183 mm
- **C:** 88 mm
- **D:** 149 mm
- **E:** 30 mm
- **Mounting hole:** Ø150 mm



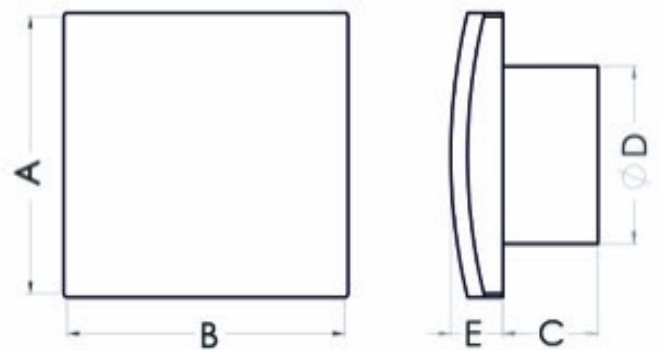


Bathroom fan Eol F15TINOX

SKU: 96463549



- **Rated voltage:** 230 V
- **Colour:** inox
- **Mains frequency:** 50 Hz
- **Power consumption:** 22 W
- **Air output:** 200 m³/h
- **Bearing type:** sliding
- **Degree of protection (IP):** IP-X4
- **Sound pressure level:** 45 dB (A)
- **Speed:** 1850 rpm
- **Nominal size:** 150 mm
- **Material:** ABS/PP
- **Place of installation:** Wall
- **Mounting type:** surface mounted
- **Fan weight:** 0.77 kg
- **A:** 170 mm
- **B:** 183 mm
- **C:** 88 mm
- **D:** 149 mm
- **E:** 30 mm
- **Mounting hole:** Ø150 mm



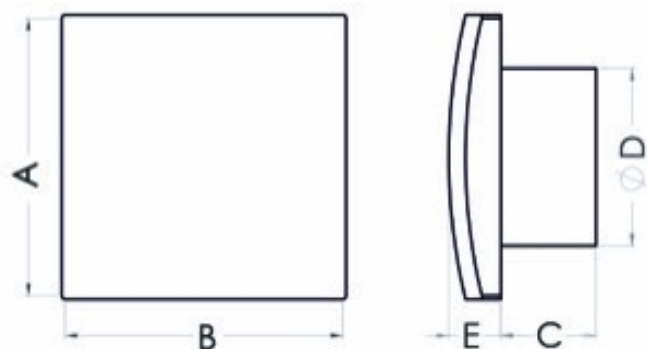


Bathroom fan Eol F15TSF

SKU: 95837994



- **Rated voltage:** 230 V
- **Colour:** silver
- **Mains frequency:** 50 Hz
- **Power consumption:** 22 W
- **Air output:** 200 m³/h
- **Bearing type:** sliding
- **Degree of protection (IP):** IP-X4
- **Sound pressure level:** 45 dB (A)
- **Speed:** 1850 rpm
- **Nominal size:** 150 mm
- **Material:** ABS/PP
- **Place of installation:** Wall
- **Mounting type:** surface-mounted
- **Fan weight:** 0.64 kg
- **A:** 170 mm
- **B:** 183 mm
- **C:** 88 mm
- **D:** 149 mm
- **E:** 30 mm
- **Mounting hole:** Ø150 mm



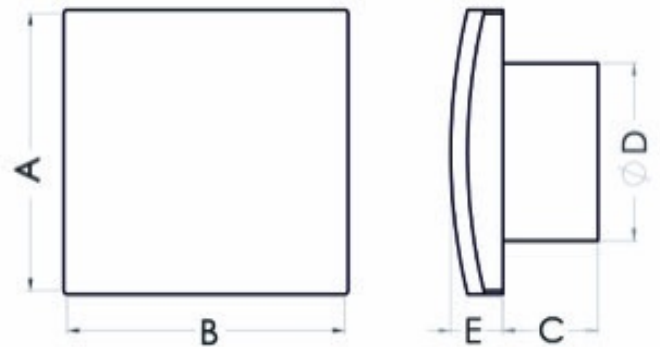


Bathroom fan Vulkan RS100

SKU: 80617616



- **Rated voltage:** 230 V
- **Colour:** white
- **Mains frequency:** 50 Hz
- **Power consumption:** 19 W
- **Air output:** 120 m³/h
- **Bearing type:** sliding
- **Degree of protection (IP):** IP-X4
- **Sound pressure level:** 39.5 dB (A)
- **Speed:** 2550 rpm
- **Nominal size:** 100 mm
- **Material:** ABS/PP
- **Mounting location:** Wall
- **Mounting type:** surface mounted
- **Fan weight:** 0.56 kg
- **A:** 158 mm
- **B:** 158 mm
- **C:** 63 mm
- **D:** 98 mm
- **E:** 26 mm
- **Mounting hole:** Ø100 mm



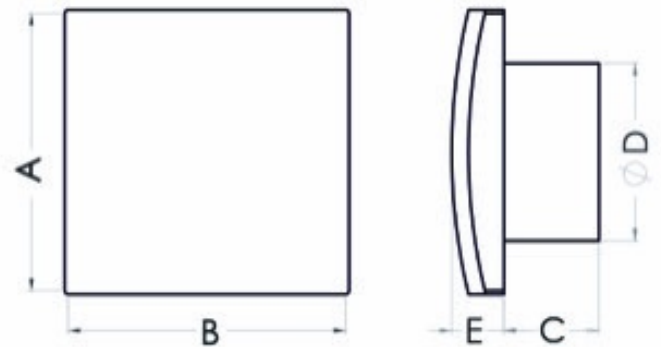


Bathroom fan Vulkan RS100+

SKU: 80623709



- **Rated voltage:** 230 V
- **Colour:** white
- **Mains frequency:** 50 Hz
- **Power consumption:** 19 W
- **Air output:** 120 m3/h
- **Bearing type:** sliding
- **Degree of protection (IP):** IP-X4
- **Sound pressure level:** 39.5 dB (A)
- **Speed:** 2550 rpm
- **Nominal size:** 100 mm
- **Material:** ABS/PP
- **Mounting location:** Wall
- **Mounting type:** surface mounted
- **Fan weight:** 0.56 kg
- **A:** 158 mm
- **B:** 158 mm
- **C:** 63 mm
- **D:** 98 mm
- **E:** 26 mm
- **Mounting hole:** Ø100 mm



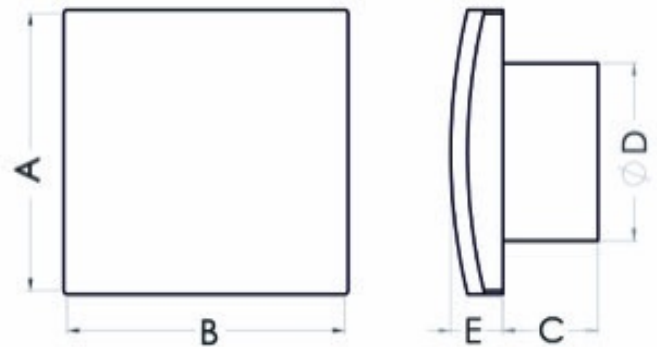


Bathroom fan Vulkan RS100HT

SKU: 80622088



- **Rated voltage:** 230 V
- **Colour:** white
- **Mains frequency:** 50 Hz
- **Power consumption:** 19 W
- **Air output:** 120 m³/h
- **Bearing type:** sliding
- **Degree of protection (IP):** IP-X4
- **Sound pressure level:** 39.5 dB (A)
- **Speed:** 2550 rpm
- **Nominal size:** 100 mm
- **Material:** ABS/PP
- **Mounting location:** Wall
- **Mounting type:** surface mounted
- **Fan weight:** 0.49 kg
- **A:** 158 mm
- **B:** 158 mm
- **C:** 63 mm
- **D:** 98 mm
- **E:** 26 mm
- **Mounting hole:** Ø100 mm



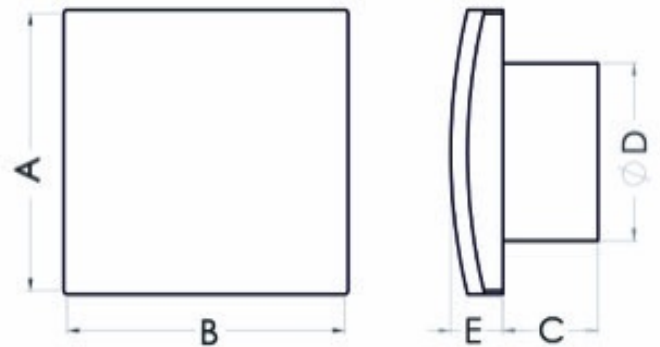


Bathroom fan Vulkan RS100HT+

SKU: 80633124



- **Rated voltage:** 230 V
- **Colour:** white
- **Mains frequency:** 50 Hz
- **Power consumption:** 19 W
- **Air output:** 120 m³/h
- **Bearing type:** sliding
- **Degree of protection (IP):** IP-X4
- **Sound pressure level:** 39.5 dB (A)
- **Speed:** 2550 rpm
- **Nominal size:** 100 mm
- **Material:** ABS/PP
- **Mounting location:** Wall
- **Mounting type:** surface mounted
- **Fan weight:** 0.49 kg
- **A:** 158 mm
- **B:** 158 mm
- **C:** 63 mm
- **D:** 98 mm
- **E:** 26 mm
- **Mounting hole:** Ø100 mm



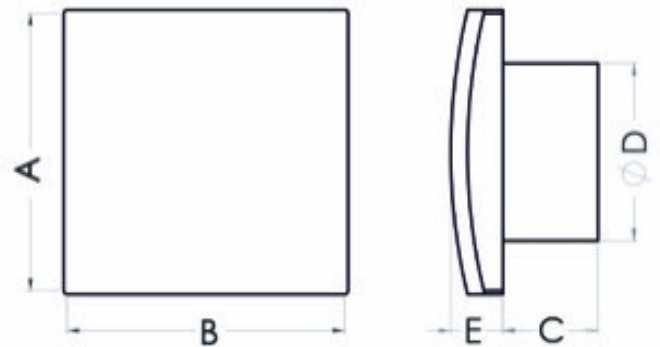


Bathroom fan Vulkan RS100L

SKU: 80618752



- **Rated voltage:** 230 V
- **Colour:** white
- **Mains frequency:** 50 Hz
- **Power consumption:** 19 W
- **Air output:** 120 m³/h
- **Bearing type:** sliding
- **Degree of protection (IP):** IP-X4
- **Sound pressure level:** 39.5 dB (A)
- **Speed:** 2550 rpm
- **Nominal size:** 100 mm
- **Material:** ABS/PP
- **Mounting location:** Wall
- **Mounting type:** surface mounted
- **Fan weight:** 0.49 kg
- **A:** 158 mm
- **B:** 158 mm
- **C:** 63 mm
- **D:** 98 mm
- **E:** 26 mm
- **Mounting hole:** Ø100 mm



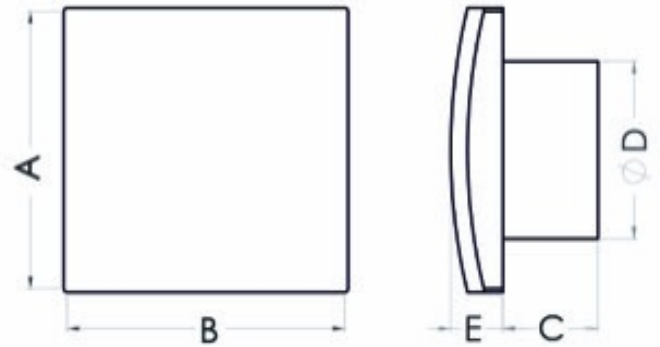


Bathroom fan Vulkan RS100L+

SKU: 80626118



- **Rated voltage:** 230 V
- **Colour:** white
- **Mains frequency:** 50 Hz
- **Power consumption:** 19 W
- **Air output:** 120 m³/h
- **Bearing type:** sliding
- **Degree of protection (IP):** IP-X4
- **Sound pressure level:** 39.5 dB (A)
- **Speed:** 2550 rpm
- **Nominal size:** 100 mm
- **Material:** ABS/PP
- **Mounting location:** Wall
- **Mounting type:** surface mounted
- **Fan weight:** 0.49 kg
- **A:** 158 mm
- **B:** 158 mm
- **C:** 63 mm
- **D:** 98 mm
- **E:** 26 mm
- **Mounting hole:** Ø100 mm



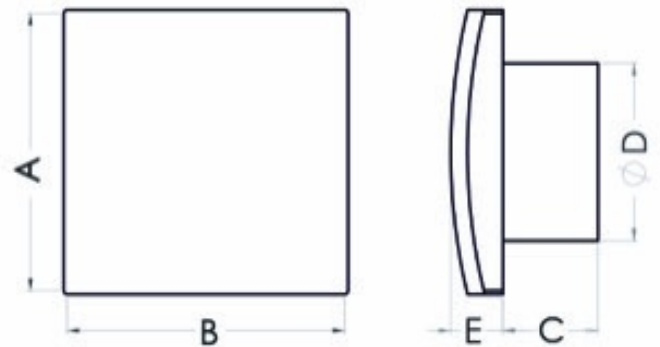


Bathroom fan Vulkan RS100P

SKU: 80619494



- **Rated voltage:** 230 V
- **Colour:** white
- **Mains frequency:** 50 Hz
- **Power consumption:** 19 W
- **Air output:** 120 m³/h
- **Bearing type:** sliding
- **Degree of protection (IP):** IP-X4
- **Sound pressure level:** 39.5 dB (A)
- **Speed:** 2550 rpm
- **Nominal size:** 100 mm
- **Material:** ABS/PP
- **Mounting location:** Wall
- **Mounting type:** surface mounted
- **Fan weight:** 0.50 kg
- **A:** 158 mm
- **B:** 158 mm
- **C:** 63 mm
- **D:** 98 mm
- **E:** 26 mm
- **Mounting hole:** Ø100 mm



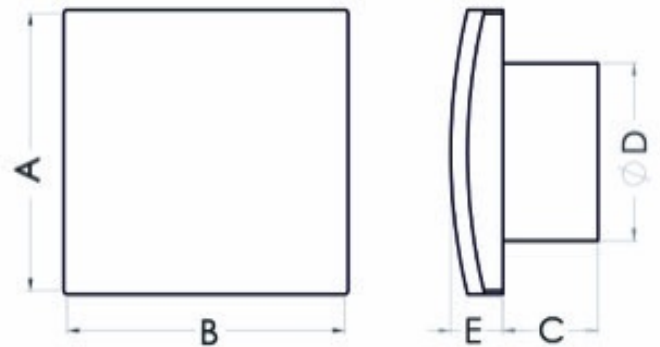


Bathroom fan Vulkan RS100P+

SKU: 80627513



- **Rated voltage:** 230 V
- **Colour:** white
- **Mains frequency:** 50 Hz
- **Power consumption:** 19 W
- **Air output:** 120 m³/h
- **Bearing type:** sliding
- **Degree of protection (IP):** IP-X4
- **Sound pressure level:** 39.5 dB (A)
- **Speed:** 2550 rpm
- **Nominal size:** 100 mm
- **Material:** ABS/PP
- **Mounting location:** Wall
- **Mounting type:** surface mounted
- **Fan weight:** 0.50 kg
- **A:** 158 mm
- **B:** 158 mm
- **C:** 63 mm
- **D:** 98 mm
- **E:** 26 mm
- **Mounting hole:** Ø100 mm



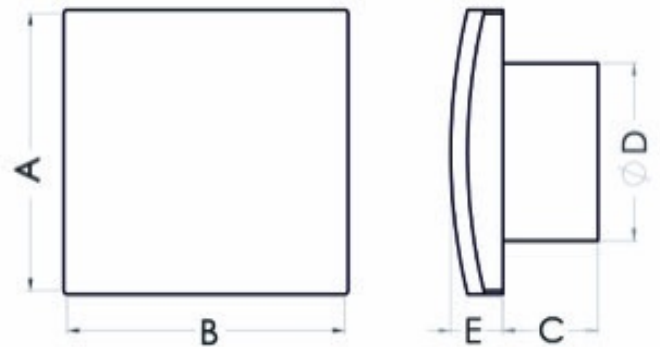


Bathroom fan Vulkan RS100T

SKU: 80622067



- **Rated voltage:** 230 V
- **Colour:** white
- **Mains frequency:** 50 Hz
- **Power consumption:** 19 W
- **Air output:** 120 m³/h
- **Bearing type:** sliding
- **Degree of protection (IP):** IP-X4
- **Sound pressure level:** 39.5 dB (A)
- **Speed:** 2550 rpm
- **Nominal size:** 100 mm
- **Material:** ABS/PP
- **Mounting location:** Wall
- **Mounting type:** surface mounted
- **Fan weight:** 0.49 kg
- **A:** 158 mm
- **B:** 158 mm
- **C:** 63 mm
- **D:** 98 mm
- **E:** 26 mm
- **Mounting hole:** Ø100 mm



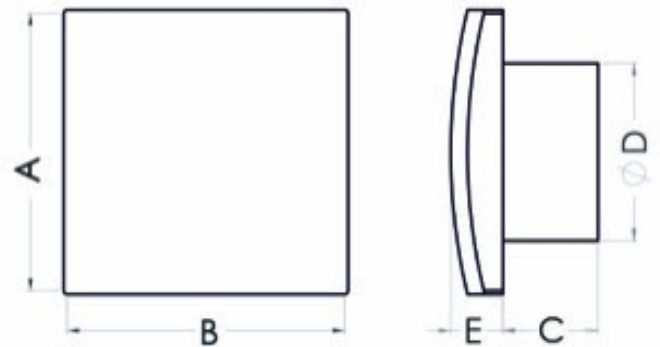


Bathroom fan Vulkan RS100T+

SKU: 80627517



- **Rated voltage:** 230 V
- **Colour:** white
- **Mains frequency:** 50 Hz
- **Power consumption:** 19 W
- **Air output:** 120 m³/h
- **Bearing type:** sliding
- **Degree of protection (IP):** IP-X4
- **Sound pressure level:** 39.5 dB (A)
- **Speed:** 2550 rpm
- **Nominal size:** 100 mm
- **Material:** ABS/PP
- **Mounting location:** Wall
- **Mounting type:** surface mounted
- **Fan weight:** 0.49 kg
- **A:** 158 mm
- **B:** 158 mm
- **C:** 63 mm
- **D:** 98 mm
- **E:** 26 mm
- **Mounting hole:** Ø100 mm



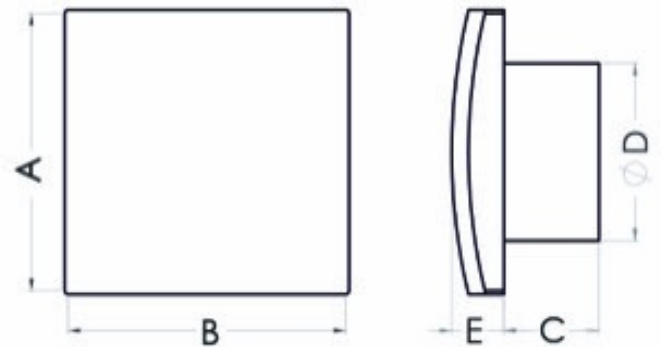


Bathroom fan Vulkan VK100

SKU: 80689828



- **Rated voltage:** 230 V
- **Colour:** white
- **Mains frequency:** 50 Hz
- **Power consumption:** 19 W
- **Air output:** 120 m³/h
- **Bearing type:** ball bearing
- **Degree of protection (IP):** IP-X4
- **Sound pressure level:** 39.5 dB (A)
- **Speed:** 2550 rpm
- **Nominal size:** 100 mm
- **Material:** ABS/PP
- **Place of installation:** Wall/ceiling
- **Mounting type:** surface-mounted
- **Fan weight:** 0.56 kg
- **A:** 158 mm
- **B:** 158 mm
- **C:** 63 mm
- **D:** 98 mm
- **E:** 25 mm
- **Mounting hole:** Ø100 mm



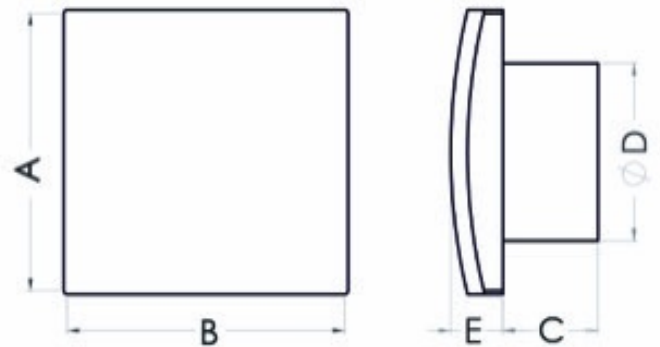


Bathroom fan Vulkan VK100+

SKU: 80730912



- **Rated voltage:** 230 V
- **Colour:** white
- **Mains frequency:** 50 Hz
- **Power consumption:** 19 W
- **Air output:** 120 m³/h
- **Bearing type:** ball bearing
- **Degree of protection (IP):** IP-X4
- **Sound pressure level:** 39.5 dB (A)
- **Speed:** 2550 rpm
- **Nominal size:** 100 mm
- **Material:** ABS/PP
- **Place of installation:** Wall/ceiling
- **Mounting type:** surface-mounted
- **Fan weight:** 0.56 kg
- **A:** 158 mm
- **B:** 158 mm
- **C:** 63 mm
- **D:** 98 mm
- **E:** 25 mm
- **Mounting hole:** Ø100 mm



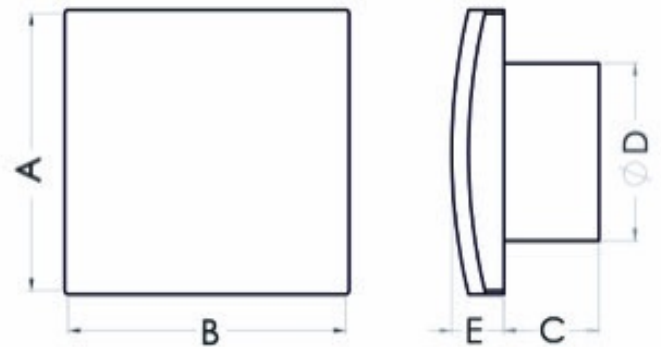


Bathroom fan Vulkan VK100HT

SKU: 80727042



- **Rated voltage:** 230 V
- **Colour:** white
- **Mains frequency:** 50 Hz
- **Power consumption:** 19 W
- **Air output:** 120 m³/h
- **Bearing type:** ball bearing
- **Degree of protection (IP):** IP-X4
- **Sound pressure level:** 39.5 dB (A)
- **Speed:** 2550 rpm
- **Nominal size:** 100 mm
- **Material:** ABS/PP
- **Place of installation:** Wall/ceiling
- **Mounting type:** surface-mounted
- **Fan weight:** 0.50 kg
- **A:** 158 mm
- **B:** 158 mm
- **C:** 63 mm
- **D:** 98 mm
- **E:** 25 mm
- **Mounting hole:** Ø100 mm



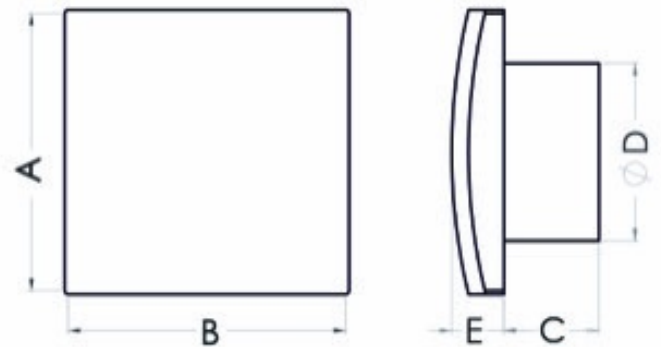


Bathroom fan Vulkan VK100HT+

SKU: 80751189



- **Rated voltage:** 230 V
- **Colour:** white
- **Mains frequency:** 50 Hz
- **Power consumption:** 19 W
- **Air output:** 120 m³/h
- **Bearing type:** ball bearing
- **Degree of protection (IP):** IP-X4
- **Sound pressure level:** 39.5 dB (A)
- **Speed:** 2550 rpm
- **Nominal size:** 100 mm
- **Material:** ABS/PP
- **Place of installation:** Wall/ceiling
- **Mounting type:** surface-mounted
- **Fan weight:** 0.50 kg
- **A:** 158 mm
- **B:** 158 mm
- **C:** 63 mm
- **D:** 98 mm
- **E:** 25 mm
- **Mounting hole:** Ø100 mm



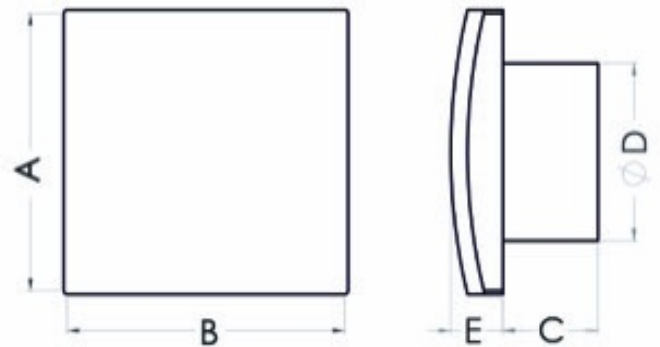


Bathroom fan Vulkan VK100L

SKU: 80701782



- **Rated voltage:** 230 V
- **Colour:** white
- **Mains frequency:** 50 Hz
- **Power consumption:** 19 W
- **Air output:** 120 m³/h
- **Bearing type:** ball bearing
- **Degree of protection (IP):** IP-X4
- **Sound pressure level:** 39.5 dB (A)
- **Speed:** 2550 rpm
- **Nominal size:** 100 mm
- **Material:** ABS/PP
- **Place of installation:** Wall/ceiling
- **Mounting type:** surface-mounted
- **Fan weight:** 0.49 kg
- **A:** 158 mm
- **B:** 158 mm
- **C:** 63 mm
- **D:** 98 mm
- **E:** 25 mm
- **Mounting hole:** Ø100 mm



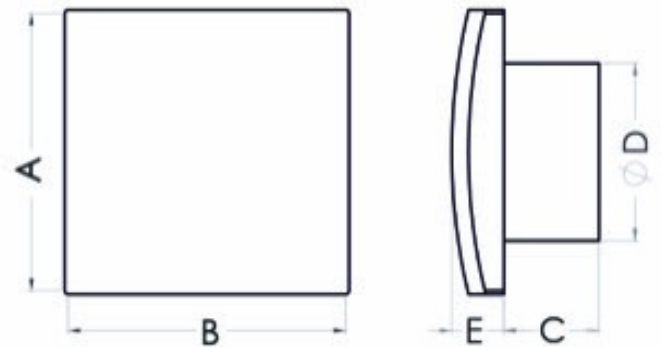


Bathroom fan Vulkan VK100L+

SKU: 80735289



- **Rated voltage:** 230 V
- **Colour:** white
- **Mains frequency:** 50 Hz
- **Power consumption:** 19 W
- **Air output:** 120 m³/h
- **Bearing type:** ball bearing
- **Degree of protection (IP):** IP-X4
- **Sound pressure level:** 39.5 dB (A)
- **Speed:** 2550 rpm
- **Nominal size:** 100 mm
- **Material:** ABS/PP
- **Place of installation:** Wall/ceiling
- **Mounting type:** surface-mounted
- **Fan weight:** 0.49 kg
- **A:** 158 mm
- **B:** 158 mm
- **C:** 63 mm
- **D:** 98 mm
- **E:** 25 mm
- **Mounting hole:** Ø100 mm



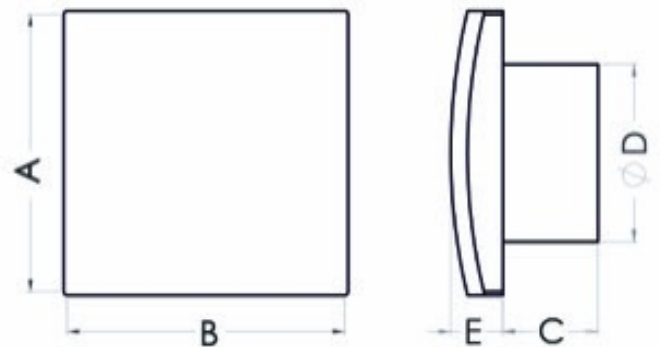


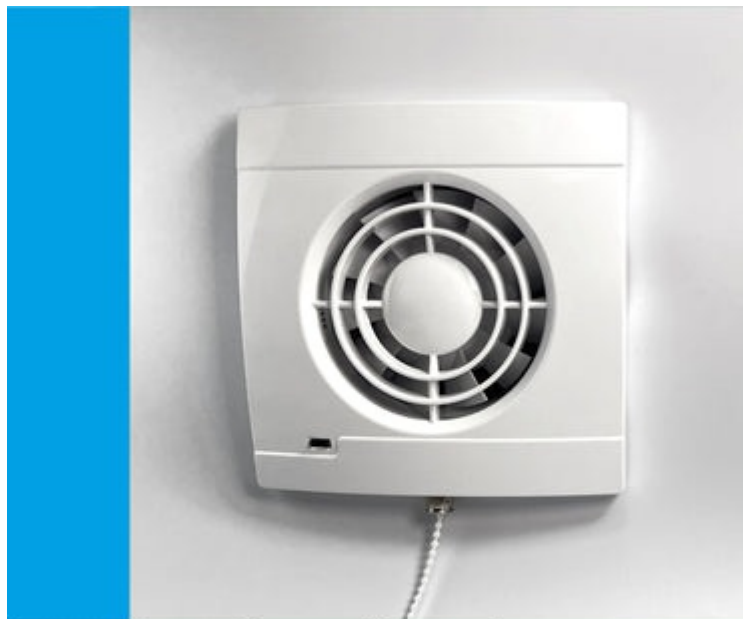
Bathroom fan Vulkan VK100P

SKU: 80708862



- **Rated voltage:** 230 V
- **Colour:** white
- **Mains frequency:** 50 Hz
- **Power consumption:** 19 W
- **Air output:** 120 m³/h
- **Bearing type:** ball bearing
- **Degree of protection (IP):** IP-X4
- **Sound pressure level:** 39.5 dB (A)
- **Speed:** 2550 rpm
- **Nominal size:** 100 mm
- **Material:** ABS/PP
- **Place of installation:** Wall/ceiling
- **Mounting type:** surface-mounted
- **Fan weight:** 0.50 kg
- **A:** 158 mm
- **B:** 158 mm
- **C:** 63 mm
- **D:** 98 mm
- **E:** 25 mm
- **Mounting hole:** Ø100 mm



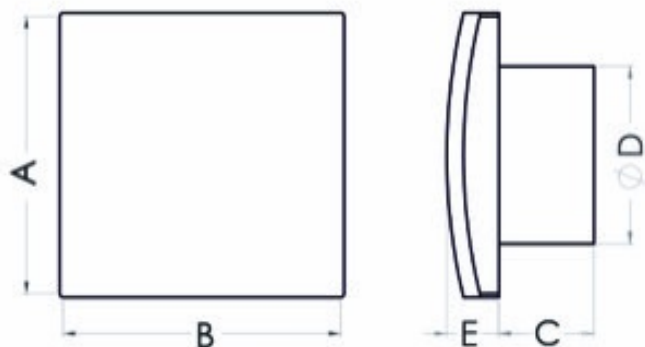


Bathroom fan Vulkan VK100P+

SKU: 80740132



- **Rated voltage:** 230 V
- **Colour:** white
- **Mains frequency:** 50 Hz
- **Power consumption:** 19 W
- **Air output:** 120 m³/h
- **Bearing type:** ball bearing
- **Degree of protection (IP):** IP-X4
- **Sound pressure level:** 39.5 dB (A)
- **Speed:** 2550 rpm
- **Nominal size:** 100 mm
- **Material:** ABS/PP
- **Place of installation:** Wall/ceiling
- **Mounting type:** surface-mounted
- **Fan weight:** 0.50 kg
- **A:** 158 mm
- **B:** 158 mm
- **C:** 63 mm
- **D:** 98 mm
- **E:** 25 mm
- **Mounting hole:** Ø100 mm



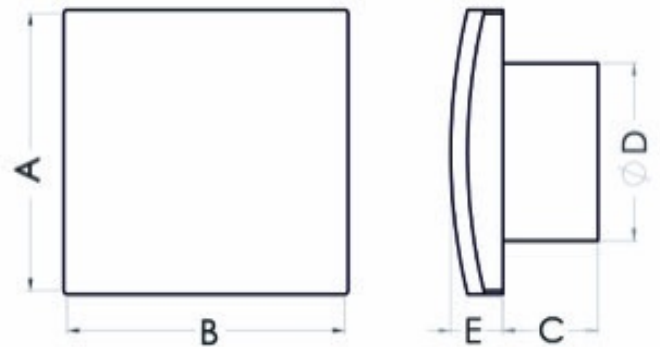


Bathroom fan Vulkan VK100T

SKU: 80717828



- **Rated voltage:** 230 V
- **Colour:** white
- **Mains frequency:** 50 Hz
- **Power consumption:** 19 W
- **Air output:** 120 m³/h
- **Bearing type:** ball bearing
- **Degree of protection (IP):** IP-X4
- **Sound pressure level:** 39.5 dB (A)
- **Speed:** 2550 rpm
- **Nominal size:** 100 mm
- **Material:** ABS/PP
- **Place of installation:** Wall/ceiling
- **Mounting type:** surface-mounted
- **Fan weight:** 0.50 kg
- **A:** 158 mm
- **B:** 158 mm
- **C:** 63 mm
- **D:** 98 mm
- **E:** 25 mm
- **Mounting hole:** Ø100 mm



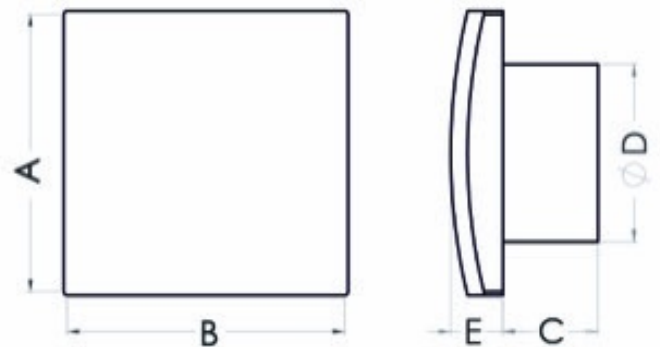
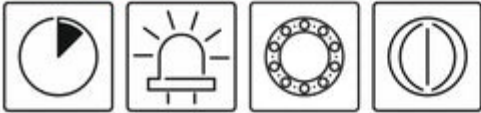


Bathroom fan Vulkan VK100T+

SKU: 80749458



- **Rated voltage:** 230 V
- **Colour:** white
- **Mains frequency:** 50 Hz
- **Power consumption:** 19 W
- **Air output:** 120 m³/h
- **Bearing type:** ball bearing
- **Degree of protection (IP):** IP-X4
- **Sound pressure level:** 39.5 dB (A)
- **Speed:** 2550 rpm
- **Nominal size:** 100 mm
- **Material:** ABS/PP
- **Place of installation:** Wall/ceiling
- **Mounting type:** surface-mounted
- **Fan weight:** 0.50 kg
- **A:** 158 mm
- **B:** 158 mm
- **C:** 63 mm
- **D:** 98 mm
- **E:** 25 mm
- **Mounting hole:** Ø100 mm



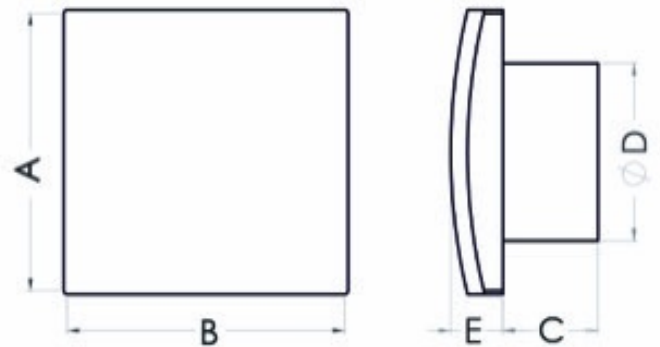


Bathroom fan Vulkan VS100

SKU: 80752324



- **Rated voltage:** 230 V
- **Colour:** white
- **Mains frequency:** 50 Hz
- **Power consumption:** 19 W
- **Air output:** 120 m3/h
- **Bearing type:** sliding
- **Degree of protection (IP):** IP-X4
- **Sound pressure level:** 39.5 dB (A)
- **Speed:** 2550 rpm
- **Nominal size:** 100 mm
- **Material:** ABS/PP
- **Mounting location:** Wall
- **Mounting type:** surface mounted
- **Fan weight:** 0.55 kg
- **A:** 158 mm
- **B:** 158 mm
- **C:** 63 mm
- **D:** 98 mm
- **E:** 25 mm
- **Mounting hole:** Ø100 mm



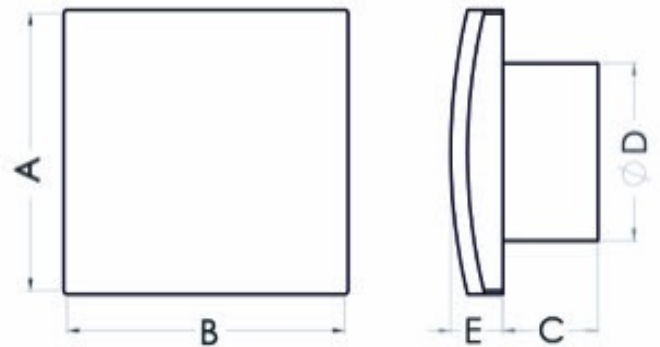


Bathroom fan Vulkan VS100+

SKU: 80765955



- **Rated voltage:** 230 V
- **Colour:** white
- **Mains frequency:** 50 Hz
- **Power consumption:** 19 W
- **Air output:** 120 m³/h
- **Bearing type:** sliding
- **Degree of protection (IP):** IP-X4
- **Sound pressure level:** 39.5 dB (A)
- **Speed:** 2550 rpm
- **Nominal size:** 100 mm
- **Material:** ABS/PP
- **Mounting location:** Wall
- **Mounting type:** surface mounted
- **Fan weight:** 0.55 kg
- **A:** 158 mm
- **B:** 158 mm
- **C:** 63 mm
- **D:** 98 mm
- **E:** 25 mm
- **Mounting hole:** Ø100 mm



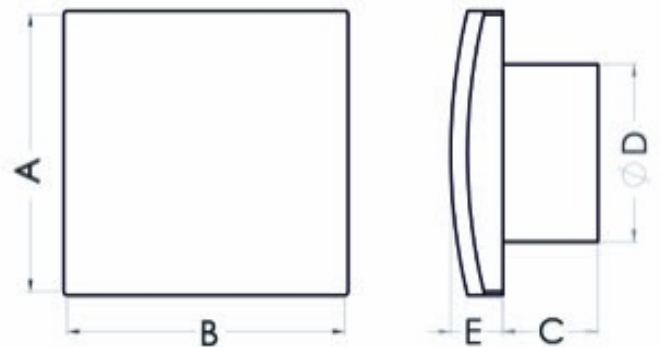


Bathroom fan Vulkan VS100HT

SKU: 80763256



- **Rated voltage:** 230 V
- **Colour:** white
- **Mains frequency:** 50 Hz
- **Power consumption:** 19 W
- **Air output:** 120 m³/h
- **Bearing type:** sliding
- **Degree of protection (IP):** IP-X4
- **Sound pressure level:** 39.5 dB (A)
- **Speed:** 2550 rpm
- **Nominal size:** 100 mm
- **Material:** ABS/PP
- **Mounting location:** Wall
- **Mounting type:** surface mounted
- **Fan weight:** 0.48 kg
- **A:** 158 mm
- **B:** 158 mm
- **C:** 63 mm
- **D:** 98 mm
- **E:** 25 mm
- **Mounting hole:** Ø100 mm



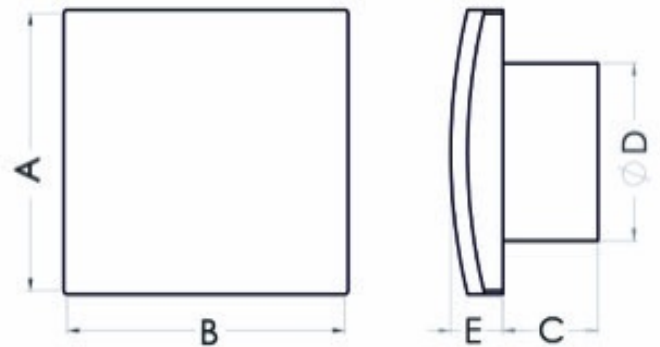


Bathroom fan Vulkan VS100HT+

SKU: 80774780



- **Rated voltage:** 230 V
- **Colour:** white
- **Mains frequency:** 50 Hz
- **Power consumption:** 19 W
- **Air output:** 120 m³/h
- **Bearing type:** sliding
- **Degree of protection (IP):** IP-X4
- **Sound pressure level:** 39.5 dB (A)
- **Speed:** 2550 rpm
- **Nominal size:** 100 mm
- **Material:** ABS/PP
- **Mounting location:** Wall
- **Mounting type:** surface mounted
- **Fan weight:** 0.48 kg
- **A:** 158 mm
- **B:** 158 mm
- **C:** 63 mm
- **D:** 98 mm
- **E:** 25 mm
- **Mounting hole:** Ø100 mm



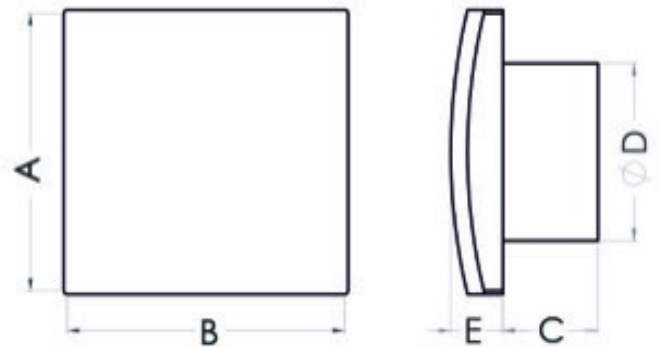


Bathroom fan Vulkan VS100L

SKU: 80755082



- **Rated voltage:** 230 V
- **Colour:** white
- **Mains frequency:** 50 Hz
- **Power consumption:** 19 W
- **Air output:** 120 m³/h
- **Bearing type:** sliding
- **Degree of protection (IP):** IP-X4
- **Sound pressure level:** 39.5 dB (A)
- **Speed:** 2550 rpm
- **Nominal size:** 100 mm
- **Material:** ABS/PP
- **Mounting location:** Wall
- **Mounting type:** surface mounted
- **Fan weight:** 0.48 kg
- **A:** 158 mm
- **B:** 158 mm
- **C:** 63 mm
- **D:** 98 mm
- **E:** 25 mm
- **Mounting hole:** Ø100 mm



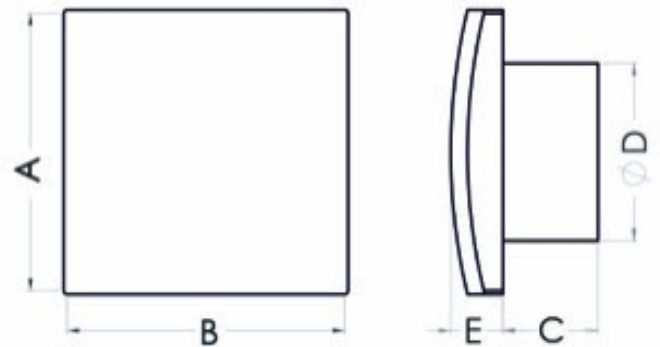


Bathroom fan Vulkan VS100L+

SKU: 80768671



- **Rated voltage:** 230 V
- **Colour:** white
- **Mains frequency:** 50 Hz
- **Power consumption:** 19 W
- **Air output:** 120 m³/h
- **Bearing type:** sliding
- **Degree of protection (IP):** IP-X4
- **Sound pressure level:** 39.5 dB (A)
- **Speed:** 2550 rpm
- **Nominal size:** 100 mm
- **Material:** ABS/PP
- **Mounting location:** Wall
- **Mounting type:** surface mounted
- **Fan weight:** 0.48 kg
- **A:** 158 mm
- **B:** 158 mm
- **C:** 63 mm
- **D:** 98 mm
- **E:** 25 mm
- **Mounting hole:** Ø100 mm



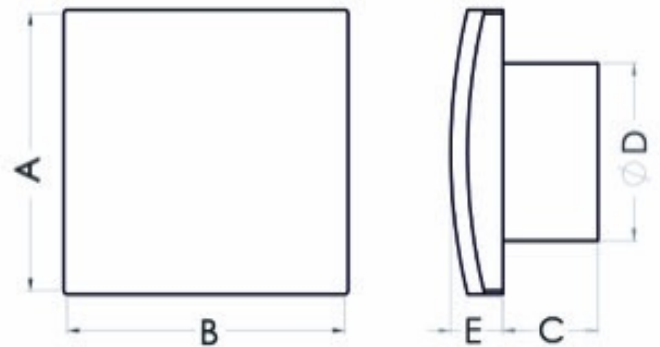


Bathroom fan Vulkan VS100P

SKU: 80757618



- **Rated voltage:** 230 V
- **Colour:** white
- **Mains frequency:** 50 Hz
- **Power consumption:** 19 W
- **Air output:** 120 m³/h
- **Bearing type:** sliding
- **Degree of protection (IP):** IP-X4
- **Sound pressure level:** 39.5 dB (A)
- **Speed:** 2550 rpm
- **Nominal size:** 100 mm
- **Material:** ABS/PP
- **Mounting location:** Wall
- **Mounting type:** surface mounted
- **Fan weight:** 0.49 kg
- **A:** 158 mm
- **B:** 158 mm
- **C:** 63 mm
- **D:** 98 mm
- **E:** 25 mm
- **Mounting hole:** Ø100 mm



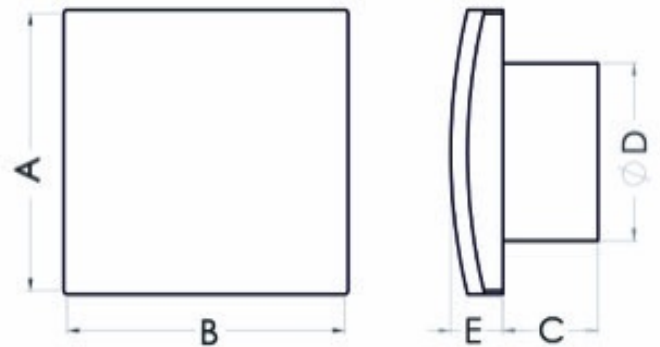


Bathroom fan Vulkan VS100P+

SKU: 80770661



- **Rated voltage:** 230 V
- **Colour:** white
- **Mains frequency:** 50 Hz
- **Power consumption:** 19 W
- **Air output:** 120 m³/h
- **Bearing type:** sliding
- **Degree of protection (IP):** IP-X4
- **Sound pressure level:** 39.5 dB (A)
- **Speed:** 2550 rpm
- **Nominal size:** 100 mm
- **Material:** ABS/PP
- **Mounting location:** Wall
- **Mounting type:** surface mounted
- **Fan weight:** 0.49 kg
- **A:** 158 mm
- **B:** 158 mm
- **C:** 63 mm
- **D:** 98 mm
- **E:** 25 mm
- **Mounting hole:** Ø100 mm



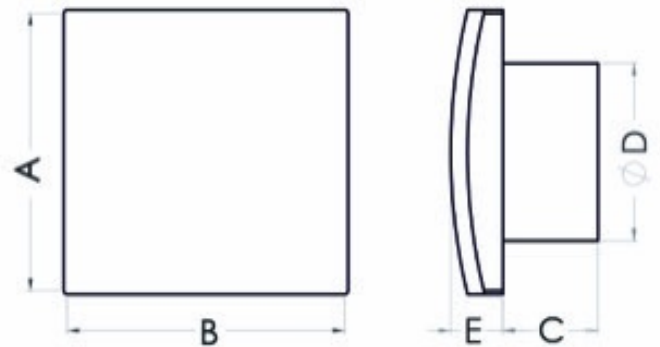


Bathroom fan Vulkan VS100T

SKU: 80760980



- **Rated voltage:** 230 V
- **Colour:** white
- **Mains frequency:** 50 Hz
- **Power consumption:** 19 W
- **Air output:** 120 m³/h
- **Bearing type:** sliding
- **Degree of protection (IP):** IP-X4
- **Sound pressure level:** 39.5 dB (A)
- **Speed:** 2550 rpm
- **Nominal size:** 100 mm
- **Material:** ABS/PP
- **Mounting location:** Wall
- **Mounting type:** surface mounted
- **Fan weight:** 0.48 kg
- **A:** 158 mm
- **B:** 158 mm
- **C:** 63 mm
- **D:** 98 mm
- **E:** 25 mm
- **Mounting hole:** Ø100 mm



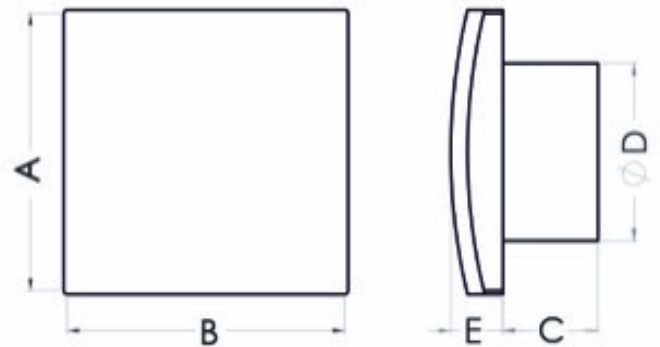


Bathroom fan Vulkan VS100T+

SKU: 80772815



- **Rated voltage:** 230 V
- **Colour:** white
- **Mains frequency:** 50 Hz
- **Power consumption:** 19 W
- **Air output:** 120 m³/h
- **Bearing type:** sliding
- **Degree of protection (IP):** IP-X4
- **Sound pressure level:** 39.5 dB (A)
- **Speed:** 2550 rpm
- **Nominal size:** 100 mm
- **Material:** ABS/PP
- **Mounting location:** Wall
- **Mounting type:** surface mounted
- **Fan weight:** 0.48 kg
- **A:** 158 mm
- **B:** 158 mm
- **C:** 63 mm
- **D:** 98 mm
- **E:** 25 mm
- **Mounting hole:** Ø100 mm



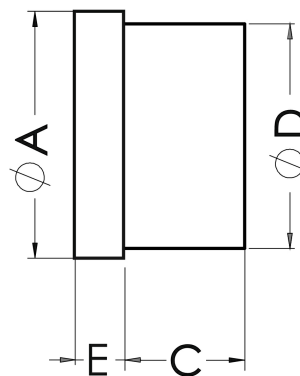


Bathroom fan WK-10

SKU: 98813522



- **Rated voltage:** 230 V
- **Colour:** white
- **Mains frequency:** 50 Hz
- **Power consumption:** 19 W
- **Air output:** 100 m³/h
- **Bearing type:** sliding
- **Degree of protection (IP):** IP-X4
- **Sound pressure level:** 39.5 dB (A)
- **Speed:** 2550 rpm
- **Nominal size:** 100 mm
- **Material:** ABS/PP
- **Fan weight:** 0.39 kg
- **A:** 106 mm
- **C:** 64 mm
- **D:** 100 mm
- **E:** 33 mm



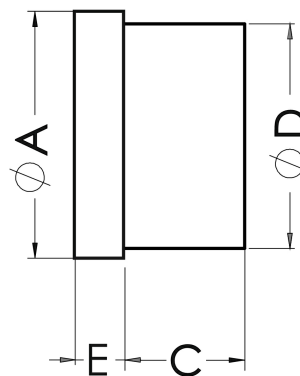


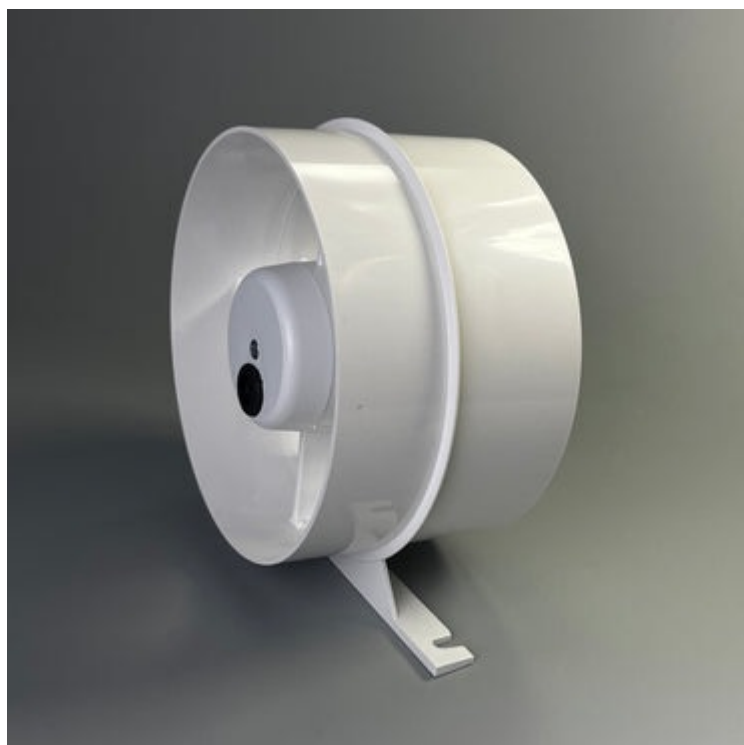
Bathroom fan WK-12

SKU: 98908081



- **Rated voltage:** 230 V
- **Colour:** white
- **Mains frequency:** 50 Hz
- **Power consumption:** 20 W
- **Air output:** 150 m³/h
- **Bearing type:** sliding
- **Degree of protection (IP):** IP-X4
- **Sound pressure level:** 42 dB (A)
- **Speed:** 2360 rpm
- **Nominal size:** 120 mm
- **Material:** ABS/PP
- **Fan weight:** 0.48 kg
- **A:** 125 mm
- **C:** 64 mm
- **D:** 120 mm
- **E:** 33 mm



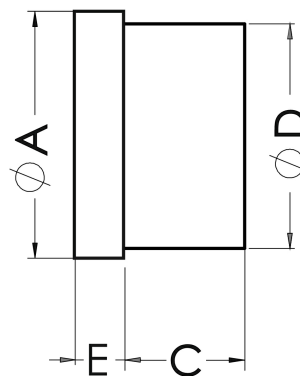


Bathroom fan WK-15

SKU: 98928784



- **Rated voltage:** 230 V
- **Colour:** white
- **Mains frequency:** 50 Hz
- **Power consumption:** 22 W
- **Air output:** 200 m³/h
- **Bearing type:** sliding
- **Degree of protection (IP):** IP-X4
- **Sound pressure level:** 45 dB (A)
- **Speed:** 1850 rpm
- **Nominal size:** 150 mm
- **Material:** ABS/PP
- **Fan weight:** 0.50 kg
- **A:** 150 mm
- **C:** 50 mm
- **D:** 150 mm
- **E:** 39 mm



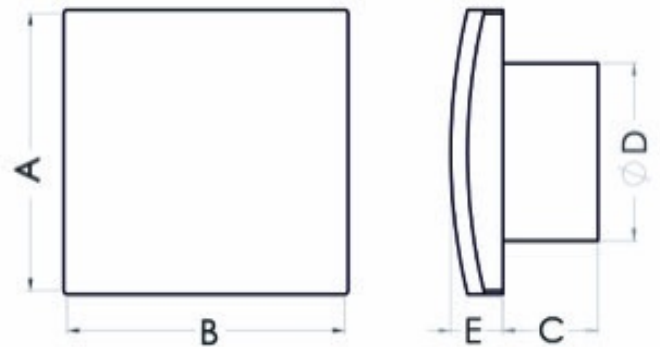


Bathroom fan Zefir 100

SKU: 97033986



- **Rated voltage:** 230 V
- **Colour:** white
- **Mains frequency:** 50 Hz
- **Power consumption:** 19 W
- **Air output:** 100 m³/h
- **Bearing type:** sliding
- **Degree of protection (IP):** IP-X4
- **Sound pressure level:** 39.5 dB (A)
- **Speed:** 2550 rpm
- **Nominal size:** 100 mm
- **Material:** ABS/PP
- **Mounting location:** Wall
- **Mounting type:** surface mounted
- **Fan weight:** 0.53 kg
- **A:** 151 mm
- **B:** 151 mm
- **C:** 53 mm
- **D:** 99 mm
- **E:** 27 mm
- **Mounting hole:** Ø100 mm



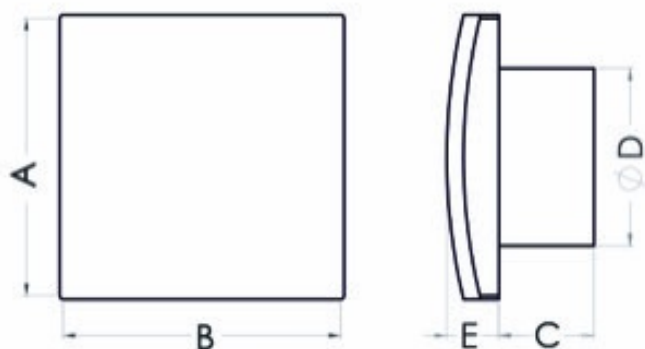


Bathroom fan Zefir 100B

SKU: 97035809



- **Rated voltage:** 230 V
- **Colour:** white
- **Mains frequency:** 50 Hz
- **Power consumption:** 19 W
- **Air output:** 100 m³/h
- **Bearing type:** sliding
- **Degree of protection (IP):** IP-X4
- **Sound pressure level:** 39.5 dB (A)
- **Speed:** 2550 rpm
- **Nominal size:** 100 mm
- **Material:** ABS/PP
- **Mounting location:** Wall
- **Mounting type:** surface mounted
- **Fan weight:** 0.44 kg
- **A:** 151 mm
- **B:** 151 mm
- **C:** 53 mm
- **D:** 99 mm
- **E:** 27 mm
- **Mounting hole:** Ø100 mm



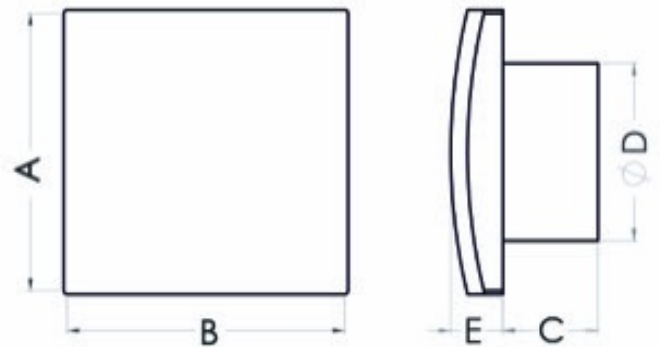


Bathroom fan Zefir 100HT

SKU: 108320482



- **Rated voltage:** 230 V
- **Colour:** white
- **Mains frequency:** 50 Hz
- **Power consumption:** 19 W
- **Air output:** 100 m³/h
- **Bearing type:** sliding
- **Degree of protection (IP):** IP-X4
- **Sound pressure level:** 39.5 dB (A)
- **Speed:** 2550 rpm
- **Nominal size:** 100 mm
- **Material:** ABS/PP
- **Mounting location:** Wall
- **Mounting type:** surface mounted
- **Fan weight:** 0.45 kg
- **A:** 151 mm
- **B:** 151 mm
- **C:** 53 mm
- **D:** 99 mm
- **E:** 27 mm
- **Mounting hole:** Ø100 mm



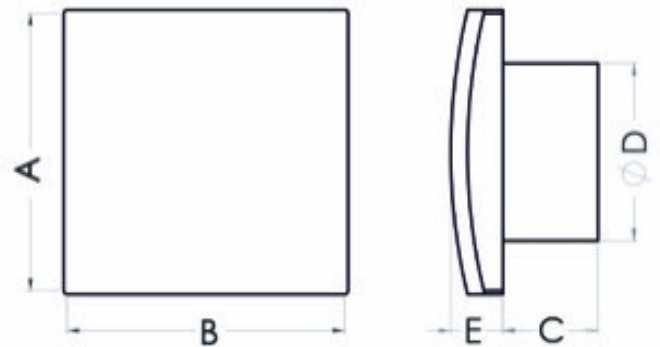


Bathroom fan Zefir 100T

SKU: 108319632



- **Rated voltage:** 230 V
- **Colour:** white
- **Mains frequency:** 50 Hz
- **Power consumption:** 19 W
- **Air output:** 100 m³/h
- **Bearing type:** sliding
- **Degree of protection (IP):** IP-X4
- **Sound pressure level:** 39.5 dB (A)
- **Speed:** 2550 rpm
- **Nominal size:** 100 mm
- **Material:** ABS/PP
- **Mounting location:** Wall
- **Mounting type:** surface mounted
- **Fan weight:** 0.45 kg
- **A:** 151 mm
- **B:** 151 mm
- **C:** 53 mm
- **D:** 99 mm
- **E:** 27 mm
- **Mounting hole:** Ø100 mm



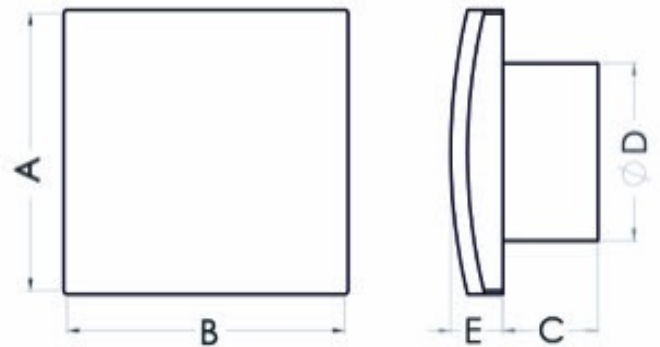


Bathroom fan Zefir 120

SKU: 98726515



- **Rated voltage:** 230 V
- **Colour:** white
- **Mains frequency:** 50 Hz
- **Power consumption:** 20 W
- **Air output:** 150 m³/h
- **Bearing type:** sliding
- **Degree of protection (IP):** IP-X4
- **Sound pressure level:** 42 dB (A)
- **Speed:** 2360 rpm
- **Nominal size:** 120 mm
- **Material:** ABS/PP
- **Place of installation:** Wall
- **Mounting type:** surface mounted
- **Fan weight:** 0.63 kg
- **A:** 167 mm
- **B:** 167 mm
- **C:** 59 mm
- **D:** 119 mm
- **E:** 28 mm
- **Mounting hole:** Ø120 mm



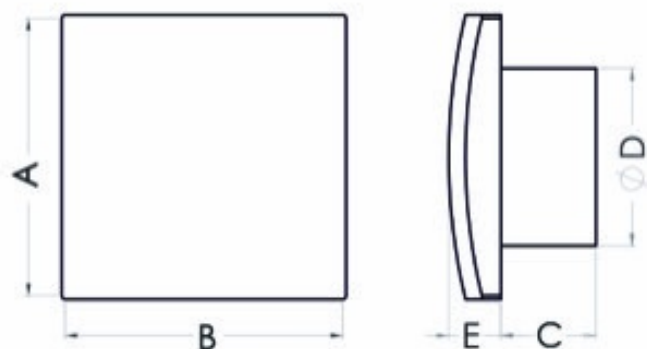


Bathroom fan Zefir 120B

SKU: 98726534



- **Rated voltage:** 230 V
- **Colour:** white
- **Mains frequency:** 50 Hz
- **Power consumption:** 20 W
- **Air output:** 150 m³/h
- **Bearing type:** sliding
- **Degree of protection (IP):** IP-X4
- **Sound pressure level:** 42 dB (A)
- **Speed:** 2360 rpm
- **Nominal size:** 120 mm
- **Material:** ABS/PP
- **Place of installation:** Wall
- **Mounting type:** surface mounted
- **Fan weight:** 0.56 kg
- **A:** 167 mm
- **B:** 167 mm
- **C:** 59 mm
- **D:** 119 mm
- **E:** 28 mm
- **Mounting hole:** Ø120 mm



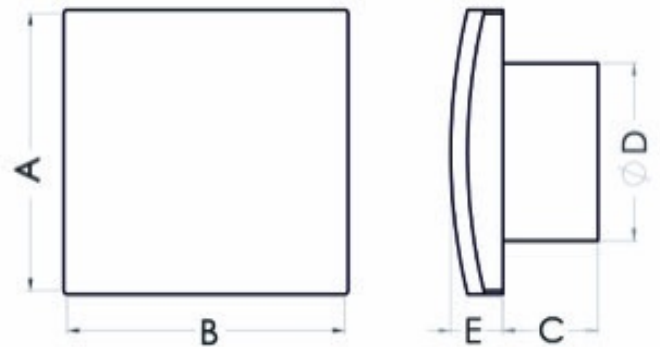


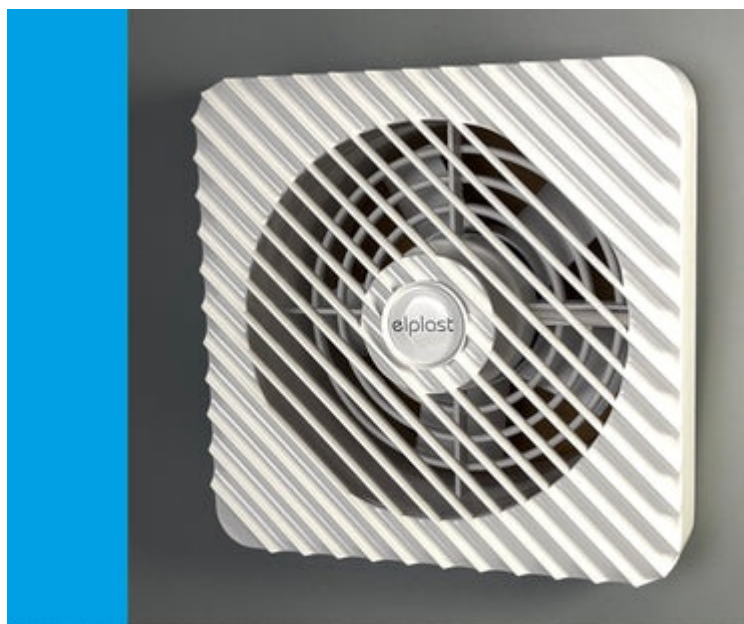
Bathroom fan Zefir 150

SKU: 98726670



- **Rated voltage:** 230 V
- **Colour:** white
- **Mains frequency:** 50 Hz
- **Power consumption:** 22 W
- **Air output:** 200 m³/h
- **Bearing type:** sliding
- **Degree of protection (IP):** IP-X4
- **Sound pressure level:** 45 dB (A)
- **Speed:** 1850 rpm
- **Nominal size:** 150 mm
- **Material:** ABS/PP
- **Place of installation:** Wall
- **Mounting type:** surface mounted
- **Fan weight:** 0.72 kg
- **A:** 182 mm
- **B:** 182 mm
- **C:** 63 mm
- **D:** 150 mm
- **E:** 34 mm
- **Mounting hole:** Ø150 mm



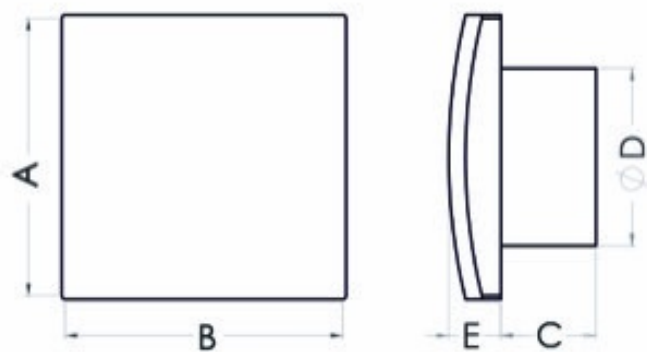


Bathroom fan Zefir 150B

SKU: 98726762



- **Rated voltage:** 230 V
- **Colour:** white
- **Mains frequency:** 50 Hz
- **Power consumption:** 22 W
- **Air output:** 200 m³/h
- **Bearing type:** sliding
- **Degree of protection (IP):** IP-X4
- **Sound pressure level:** 45 dB (A)
- **Speed:** 1850 rpm
- **Nominal size:** 150 mm
- **Material:** ABS/PP
- **Place of installation:** Wall
- **Mounting type:** surface mounted
- **Fan weight:** 0.65 kg
- **A:** 182 mm
- **B:** 182 mm
- **C:** 63 mm
- **D:** 150 mm
- **E:** 34 mm
- **Mounting hole:** Ø150 mm



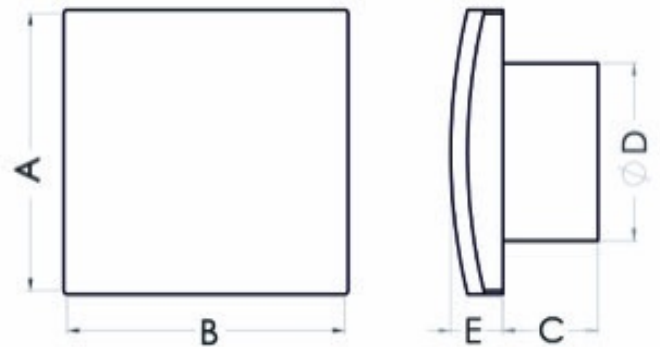


Bathroom fanEol F15GF

SKU: 96457746



- **Rated voltage:** 230 V
- **Colour:** gold
- **Mains frequency:** 50 Hz
- **Power consumption:** 22 W
- **Air output:** 200 m³/h
- **Bearing type:** sliding
- **Degree of protection (IP):** IP-X4
- **Sound pressure level:** 45 dB (A)
- **Speed:** 1850 rpm
- **Nominal size:** 150 mm
- **Material:** ABS/PP
- **Place of installation:** Wall
- **Mounting type:** surface mounted
- **Fan weight:** 0.70 kg
- **A:** 170 mm
- **B:** 183 mm
- **C:** 88 mm
- **D:** 149 mm
- **E:** 30 mm
- **Mounting hole:** Ø150 mm



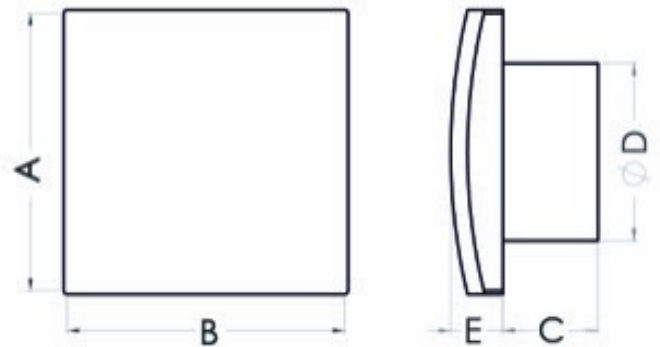


Eol F10TGF bathroom fan

SKU: 95228443



- **Rated voltage:** 230 V
- **Colour:** gold
- **Mains frequency:** 50 Hz
- **Power consumption:** 19 W
- **Air output:** 100 m³/h
- **Bearing type:** sliding
- **Degree of protection (IP):** IP-X4
- **Sound pressure level:** 39.5 dB (A)
- **Speed:** 2550 rpm
- **Nominal size:** 100 mm
- **Material:** ABS/PP
- **Mounting location:** Wall
- **Mounting type:** surface mounted
- **Fan weight:** 0.46 kg
- **A:** 141 mm
- **B:** 131 mm
- **C:** 84 mm
- **D:** 99 mm
- **E:** 29 mm
- **Mounting hole:** Ø100 mm

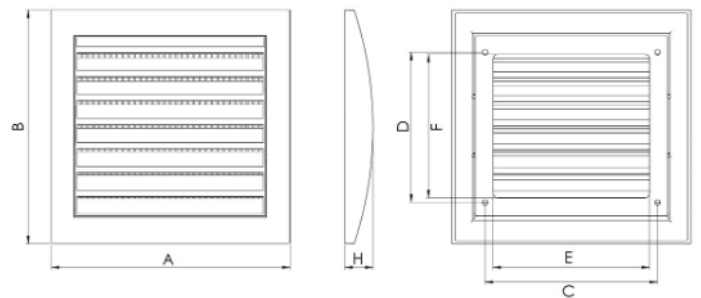


Ventilation grille N10

SKU: 00.000.121



- **Colour:** White
- **Material:** ABS
- **Weight:** 0.07 kg
- **A:** 153 mm
- **B:** 148 mm
- **C:** 111 mm
- **D:** 95 mm
- **E:** 100 mm
- **F:** 91 mm
- **H:** 18 mm



Construction:

- Made of high-quality ABS plastic
- Integrated mosquito net
- Standard or adjustable

Installation:

- Wall or ceiling mounting
- For indoor or outdoor use
- Fixing with glue or screws in any position

Colour:

White

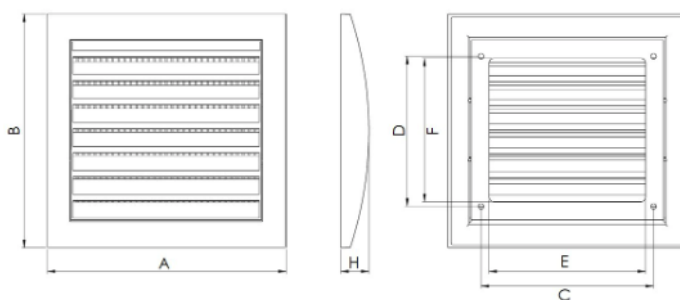


Ventilation grille N10A

SKU: 00.000.122



- **Colour:** Anthracite
- **Material:** ABS
- **Weight:** 0.07 kg
- **A:** 153 mm
- **B:** 148 mm
- **C:** 111 mm
- **D:** 95 mm
- **E:** 100 mm
- **F:** 91 mm
- **H:** 18 mm



Construction:

- Made of high quality ABS plastic
- Integrated mosquito net
- Standard or adjustable

Installation:

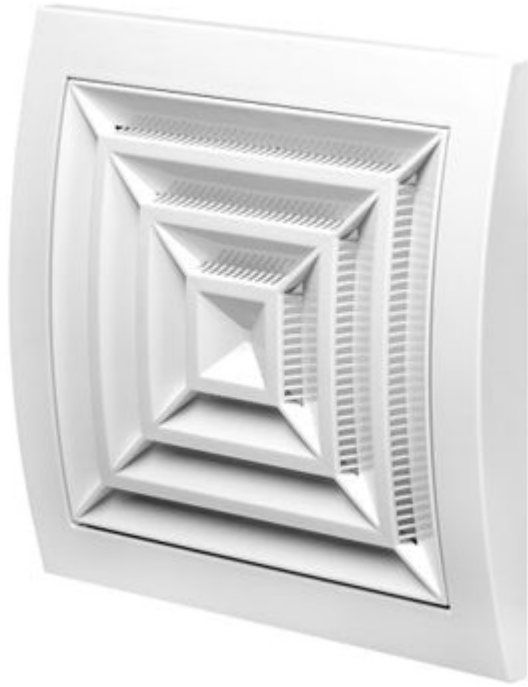
- Wall or ceiling mounting
- For indoor or outdoor use
- Fixing with glue or screws in any position

Colour:

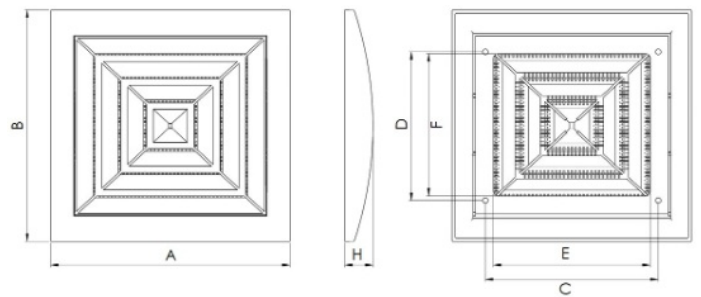
Anthracite

Ventilation grille N10G

SKU: 00.000.140



- **Colour:** White
- **Material:** ABS
- **Weight:** 0.08 kg
- **A:** 153 mm
- **B:** 148 mm
- **C:** 111 mm
- **D:** 95 mm
- **E:** 100 mm
- **F:** 91 mm
- **H:** 18 mm



Construction:

- Made of high-quality ABS plastic
- Integrated mosquito net

Installation:

- Designed for ceiling mounting
- Can be mounted indoors and outdoors
- Fits various types of circular ducts

Colour:

White

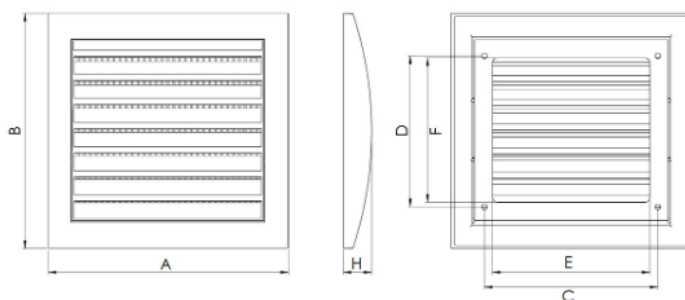


Ventilation grille N10R

SKU: 00.000.144



- **Colour:** White
- **Material:** ABS
- **Weight:** 0.07 kg
- **A:** 153 mm
- **B:** 148 mm
- **C:** 111 mm
- **D:** 95 mm
- **E:** 100 mm
- **F:** 91 mm
- **H:** 18 mm



Construction:

- Made of high quality ABS plastic
- Integrated mosquito net
- Standard or adjustable versions

Installation:

- Wall or ceiling mounting
- Can be mounted indoors and outdoors
- Fixing with glue or screws in any position

Colour:

White

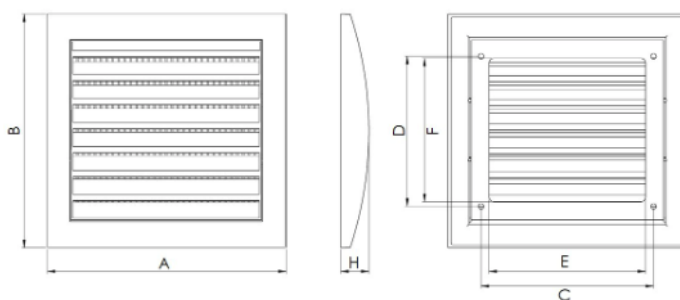


Ventilation grille N10RA

SKU: 00.000.125



- **Colour:** Anthracite
- **Material:** ABS
- **Weight:** 0.07 kg
- **A:** 153 mm
- **B:** 148 mm
- **C:** 111 mm
- **D:** 95 mm
- **E:** 100 mm
- **F:** 91 mm
- **H:** 18 mm



Construction:

- Made of high quality ABS plastic
- Integrated mosquito net
- Standard or adjustable

Installation:

- Wall or ceiling mounting
- Suitable for indoor or outdoor use
- Fixing with glue or screws in any position

Colour:

Anthracite

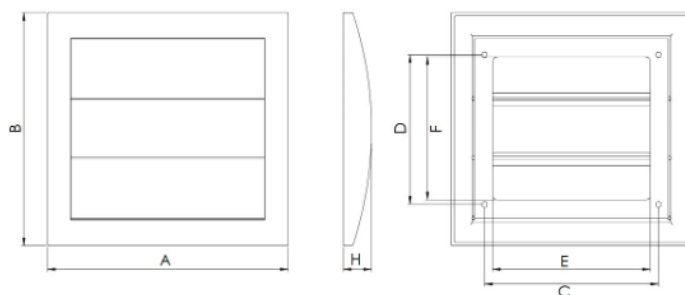


Ventilation grille N10Z

SKU: 00.000.133



- **Colour:** White
- **Material:** ABS
- **Weight:** 0.06 kg
- **A:** 153 mm
- **B:** 148 mm
- **C:** 111 mm
- **D:** 95 mm
- **E:** 100 mm
- **F:** 91 mm
- **H:** 18 mm



Construction:

- Made of high-quality ABS plastic
- Integrated mosquito net
- Available in standard or adjustable versions

Installation:

- Wall or ceiling mounting
- Can be used indoors or outdoors
- Fixing with glue or screws in any position

Colour:

White

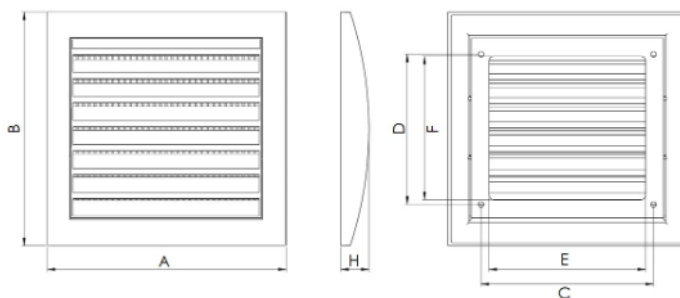


Ventilation grille N12

SKU: 00.000.126



- **Colour:** White
- **Material:** ABS
- **Weight:** 0.11 kg
- **A:** 190 mm
- **B:** 190 mm
- **C:** 140 mm
- **D:** 140 mm
- **E:** 137 mm
- **F:** 132 mm
- **H:** 18 mm



Construction:

- Made of high quality ABS plastic
- Integrated mosquito net
- Standard or adjustable

Installation:

- Wall or ceiling mounting
- For indoor or outdoor use
- Fixing with glue or screws in any position

Colour:

White

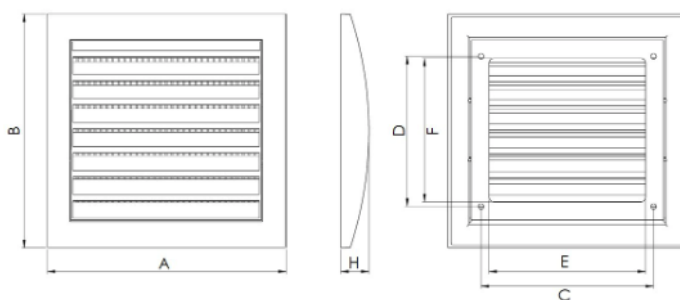


Ventilation grille N12A

SKU: 00.000.127



- **Colour:** Anthracite
- **Material:** ABS
- **Weight:** 0.11 kg
- **A:** 190 mm
- **B:** 190 mm
- **C:** 140 mm
- **D:** 140 mm
- **E:** 137 mm
- **F:** 132 mm
- **H:** 18 mm



Construction:

- Made of durable, high-quality ABS plastic
- Integrated mosquito net
- Standard or adjustable

Installation:

- Wall or ceiling mounting
- For indoor or outdoor use
- Fixing with glue or screws in any position

Colour:

Anthracite

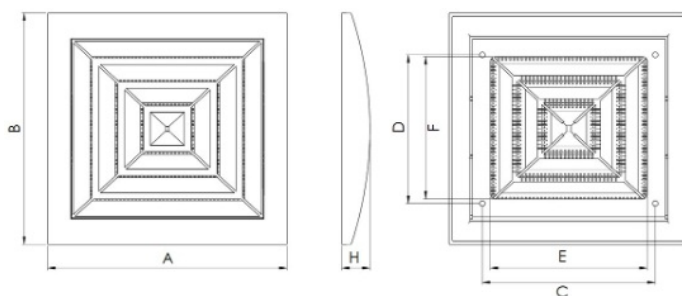


Ventilation grille N12G

SKU: 00.000.141



- **Colour:** White
- **Material:** ABS
- **Weight:** 0.10 kg
- **A:** 190 mm
- **B:** 190 mm
- **C:** 140 mm
- **D:** 140 mm
- **E:** 137 mm
- **F:** 132 mm
- **H:** 18 mm



Construction:

- Made of high-quality ABS plastic
- Integrated mosquito net

Installations:

- Designed for ceiling mounting
- Can be installed indoors and outdoors
- Compatible with various types of circular ducts

Colour:

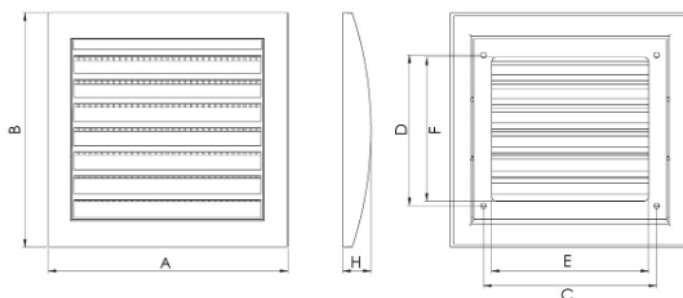
White

Ventilation grille N12R

SKU: 00.000.130



- **Colour:** White
- **Material:** ABS
- **Weight:** 0.11 kg
- **A:** 190 mm
- **B:** 190 mm
- **C:** 140 mm
- **D:** 140 mm
- **E:** 137 mm
- **F:** 132 mm
- **H:** 18 mm



Construction:

- Made of durable, high-quality ABS plastic
- Integrated mosquito net
- Standard or adjustable

Installation:

- Wall or ceiling mounting
- For indoor or outdoor use
- Fixing with glue or screws in any position

Colour:

White

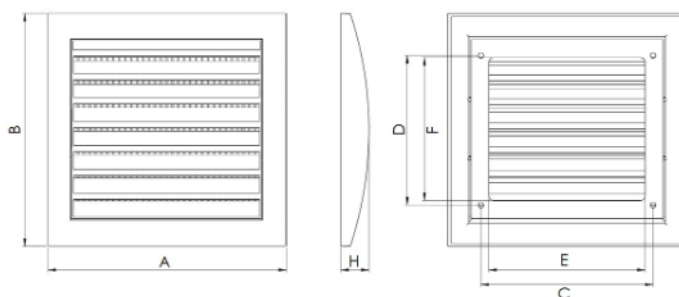


Ventilation grille N12RA

SKU: 00.000.131



- **Colour:** Anthracite
- **Material:** ABS
- **Weight:** 0.11 kg
- **A:** 190 mm
- **B:** 190 mm
- **C:** 140 mm
- **D:** 140 mm
- **E:** 137 mm
- **F:** 132 mm
- **H:** 18 mm



Construction:

- Made of high-quality ABS plastic
- Integrated mosquito net
- Choice of standard or adjustable version

Installation:

- Wall or ceiling mounting
- Can be used indoors or outdoors
- Fixing with glue or screws in any position

Colour:

Anthracite

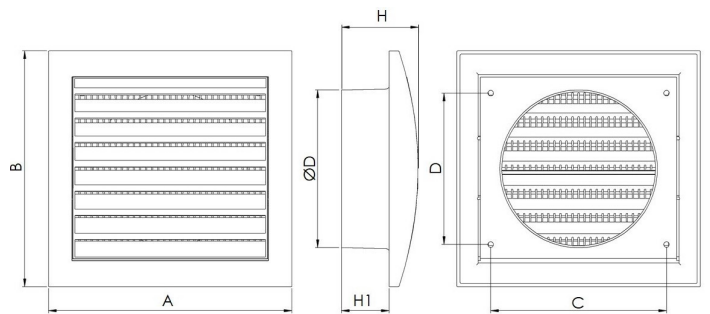


Ventilation grille ND10R

SKU: 00.000.088



- **Colour:** White
- **Material:** ABS
- **Weight:** 0.10 kg
- **A:** 153 mm
- **B:** 148 mm
- **C:** 111 mm
- **D:** 95 mm
- **ØD:** 99 mm
- **H:** 48 mm
- **H1:** 30 mm



Construction:

- Made from high quality ABS plastic
- Integrated mosquito net
- Standard or adjustable versions

Installation:

- Wall or ceiling mounting
- Can be mounted indoors and outdoors
- Fixing with glue or screws in any position

Colour:

White

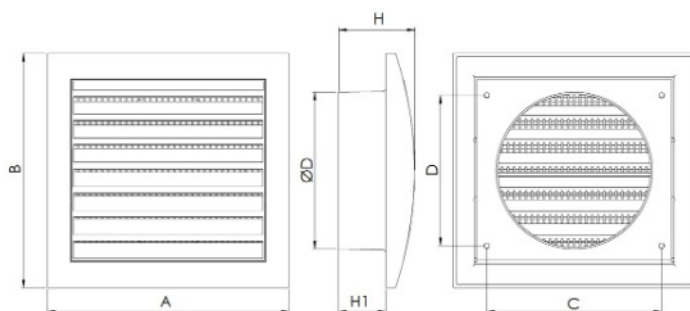


Ventilation grille ND10RA

SKU: 00.000.124



- **Colour:** Anthracite
- **Material:** ABS
- **Weight:** 0.10 kg
- **A:** 153 mm
- **B:** 148 mm
- **C:** 111 mm
- **D:** 95 mm
- **ØD:** 99 mm
- **H:** 48 mm
- **H1:** 30 mm



Construction:

- Made of durable, high-quality ABS plastic
- Integrated mosquito net
- Standard or adjustable

Installation:

- Wall or ceiling mounting
- Can be used indoors or outdoors
- Fixing with glue or screws in any position

Colour:

Anthracite

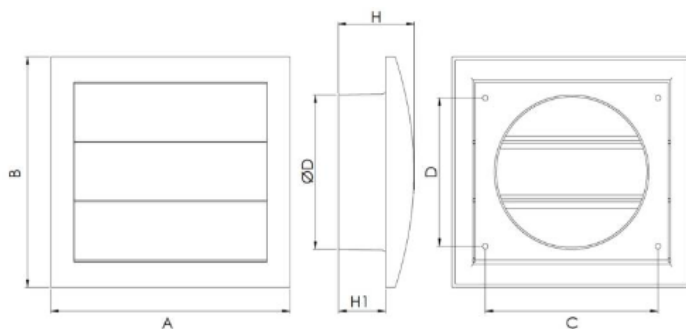


Ventilation grille ND10ZA

SKU: 00.000.132



- **Colour:** Anthracite
- **Material:** ABS
- **Weight:** 0.09 kg
- **A:** 153 mm
- **B:** 148 mm
- **C:** 111 mm
- **D:** 95 mm
- **ØD:** 99 mm
- **H:** 48 mm
- **H1:** 30 mm



Construction:

- Made of durable ABS plastic
- Integrated mosquito net
- Standard or adjustable version

Installation:

- Wall or ceiling mounting
- Can be used indoors or outdoors
- Fixing with glue or screws in any position

Colour:

Anthracite

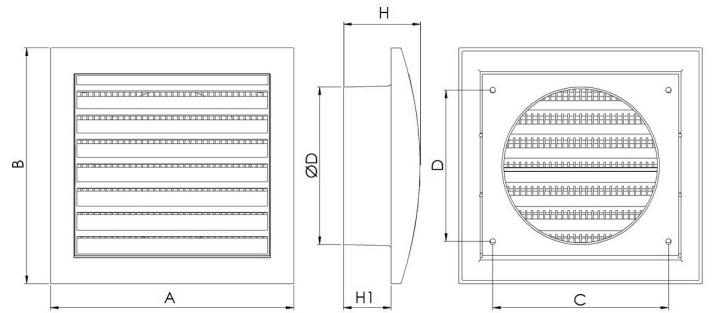


Ventilation grille ND12A

SKU: 00.000.128



- **Colour:** Anthracite
- **Material:** ABS
- **Weight:** 0.14kg
- **A:** 190 mm
- **B:** 190 mm
- **C:** 140mm
- **D:** 140mm
- **ØD:** 124mm
- **H:** 48 mm
- **H1:** 30 mm



Construction:

- Made of high quality ABS plastic
- Integrated mosquito net
- Standard or adjustable option

Installation:

- Wall or ceiling mounting
- Can be used indoors or outdoors
- Fixing with glue or screws in any position

Colour:

Anthracite

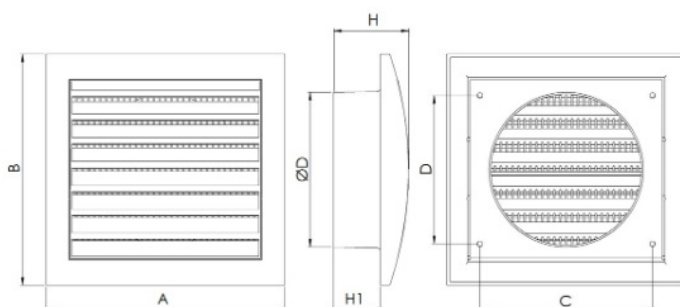


Ventilation grille ND12R

SKU: 00.000.090



- **Colour:** White
- **Material:** ABS
- **Weight:** 0.14 kg
- **A:** 190 mm
- **B:** 190 mm
- **C:** 140 mm
- **D:** 140 mm
- **ØD:** 124 mm
- **H:** 48 mm
- **H1:** 30 mm



Construction:

- Made of durable ABS plastic
- Integrated mosquito net
- Standard or adjustable versions

Installation:

- Wall or ceiling mounting
- Suitable for indoor and outdoor use
- Fixing with glue or screws in any position

Colour:

White

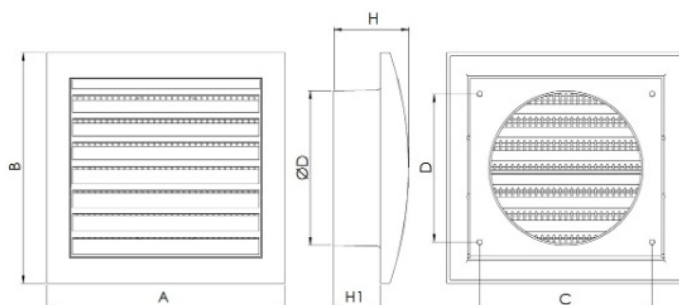


Ventilation grille ND12RA

SKU: 00.000.129



- **Colour:** Anthracite
- **Material:** ABS
- **Weight:** 0.14 kg
- **A:** 190 mm
- **B:** 190 mm
- **C:** 140 mm
- **D:** 140 mm
- **ØD:** 124 mm
- **H:** 48 mm
- **H1:** 30 mm



Construction:

- Made of durable, high-quality ABS plastic
- Integrated mosquito net
- Standard or adjustable

Installation:

- Wall or ceiling mounting
- For indoor or outdoor use
- Fixing with glue or screws in any position

Colour:

Anthracite

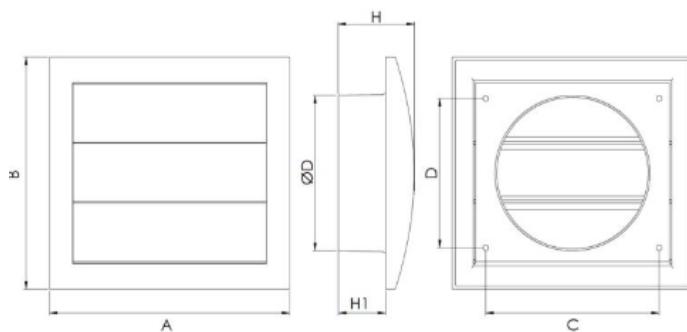


Ventilation grille ND12Z

SKU: 00.000.091



- **Colour:** White
- **Material:** ABS
- **Weight:** 0.14 kg
- **A:** 190 mm
- **B:** 190 mm
- **C:** 140 mm
- **D:** 140 mm
- **ØD:** 124 mm
- **H:** 48 mm
- **H1:** 30 mm



Construction:

- Made of high quality ABS plastic
- Integrated mosquito net
- Standard or adjustable option

Installation:

- Wall or ceiling mounting
- Suitable for indoor and outdoor use
- Mounting with adhesive or screws in any position

Colour: White

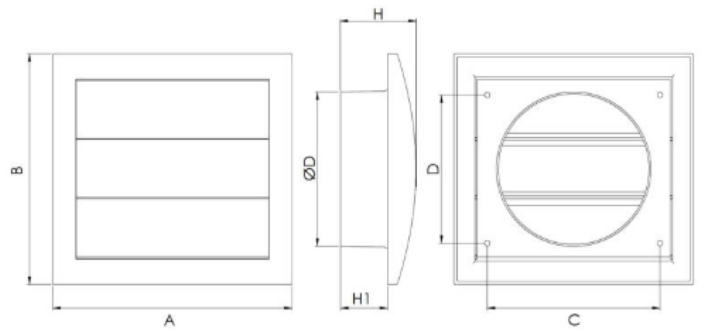


Ventilation grille ND12ZA

SKU: 00.000.145



- **Colour:** Anthracite
- **Material:** ABS
- **Weight:** 0.14 kg
- **A:** 190 mm
- **B:** 190 mm
- **C:** 140 mm
- **D:** 140 mm
- **ØD:** 124 mm
- **H:** 48 mm
- **H1:** 30 mm



Construction:

- Made of durable ABS plastic
- Integrated mosquito net
- Standard or adjustable version

Installation:

- Wall or ceiling mounting
- For indoor or outdoor use
- Fixing with glue or screws in any position

Colour:

Anthracite

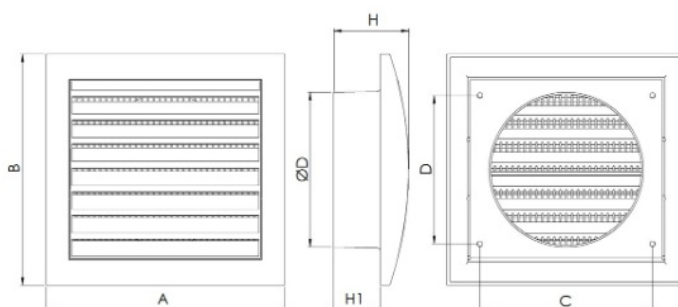


Ventilation grille ND15

SKU: 00.000.092



- **Colour:** White
- **Material:** ABS
- **Weight:** 0.14 kg
- **A:** 190 mm
- **B:** 190 mm
- **C:** 140 mm
- **D:** 140 mm
- **ØD:** 149 mm
- **H:** 48 mm
- **H1:** 30 mm



Construction:

- Made of high quality ABS plastic
- Integrated mosquito net
- Standard or adjustable options

Installation:

- Wall or ceiling mounting
- For indoor or outdoor use
- Fixing with glue or screws in any position

Colour: White

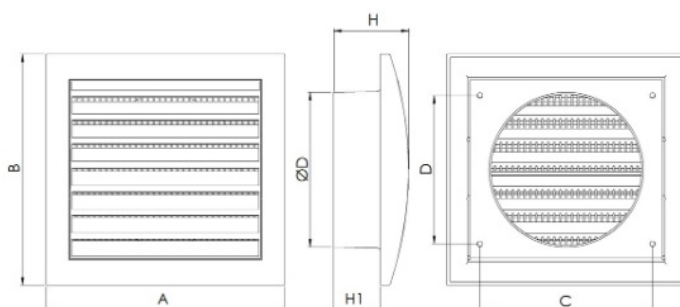


Ventilation grille ND15R

SKU: 00.000.093



- **Colour:** White
- **Material:** ABS
- **Weight:** 0.14 kg
- **A:** 190 mm
- **B:** 190 mm
- **C:** 140 mm
- **D:** 140 mm
- **ØD:** 149 mm
- **H:** 48 mm
- **H1:** 30 mm



Construction:

- Made of durable ABS plastic
- Integrated mosquito net
- Standard or adjustable versions

Installation:

- Wall or ceiling mounting
- Suitable for indoor or outdoor use
- Fixing with glue or screws in any position

Colour:

White

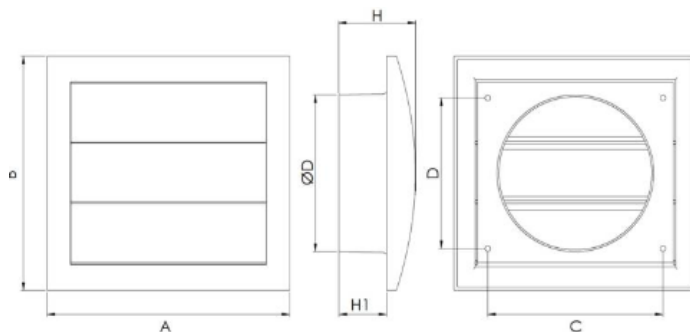


Ventilation grille ND15Z

SKU: 00.000.094



- **Colour:** White
- **Material:** ABS
- **Weight:** 0.13 kg
- **A:** 190 mm
- **B:** 190 mm
- **C:** 140 mm
- **D:** 140 mm
- **ØD:** 149 mm
- **H:** 48 mm
- **H1:** 30 mm



Construction

- Made of high-quality ABS plastic.
- Integrated mosquito net
- Standard or adjustable option

Installation

- Wall or ceiling mounting
- Suitable for indoor and outdoor use
- Mounting with adhesive or screws in any position

Colour

White

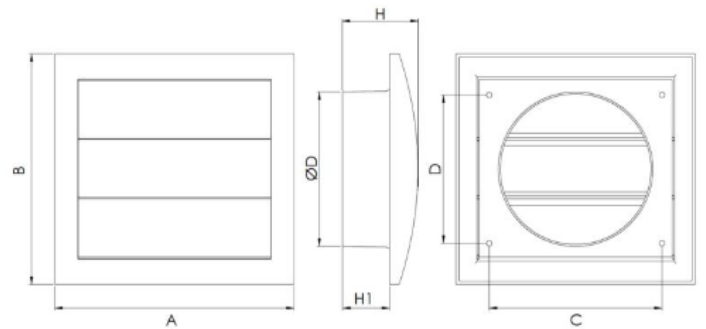


Ventilation grille ND15ZA

SKU: 00.000.135



- **Colour:** Anthracite
- **Material:** ABS
- **Weight:** 0.14 kg
- **A:** 190 mm
- **B:** 190 mm
- **C:** 140 mm
- **D:** 140 mm
- **ØD:** 149 mm
- **H:** 48 mm
- **H1:** 30 mm



Construction:

- Made of high-quality ABS plastic
- Integrated mosquito net
- Standard or adjustable

Installation:

- Wall or ceiling mounting
- For indoor or outdoor use
- Fixing with glue or screws in any position

Colour:

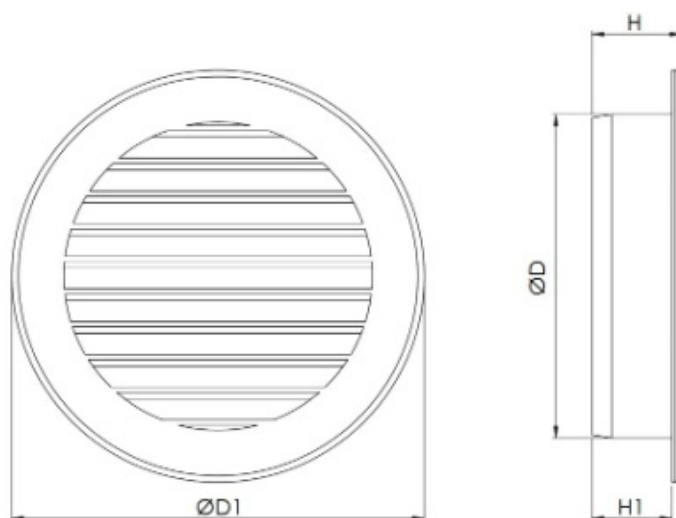
Anthracite

Ventilation grille VR100

SKU: 00.000.095



- **Colour:** White
- **Weight:** 0.04 kg
- **ØD:** 99 mm
- **ØD1:** 126 mm
- **H:** 28 mm
- **H1:** 25 mm



Construction:

- Made of plastic
- With flange
- Integrated mosquito net

Installation:

- Installation in any position
- For indoor use
- Fixing with adhesive or screws
- Temperature range (°C): 0... +90

Colour: White

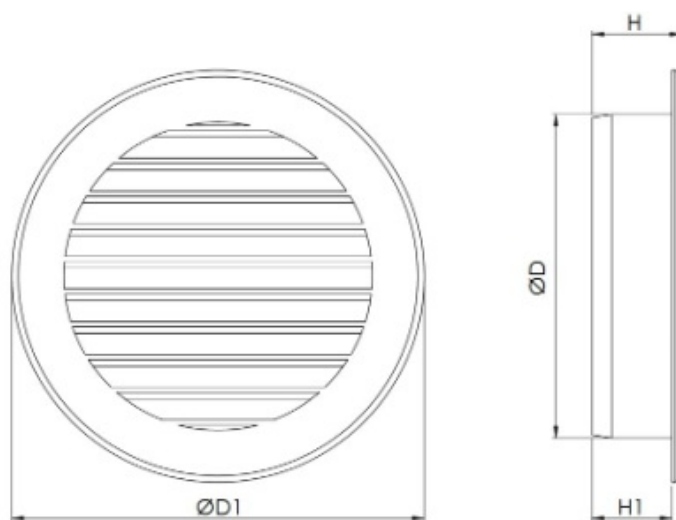


Ventilation grille VR100M

SKU: 00.000.137



- **Colour:** Black
- **Weight:** 0.04 kg
- **ØD:** 99 mm
- **ØD1:** 126 mm
- **H:** 28 mm
- **H1:** 25 mm



Construction:

- Made of plastic
- Featuring a flange
- Integrated mosquito net

Installation:

- Can be installed in any position
- Suitable for indoor use
- Fixing with adhesive or screws
- Temperature range (°C): 0... +90

Colour:

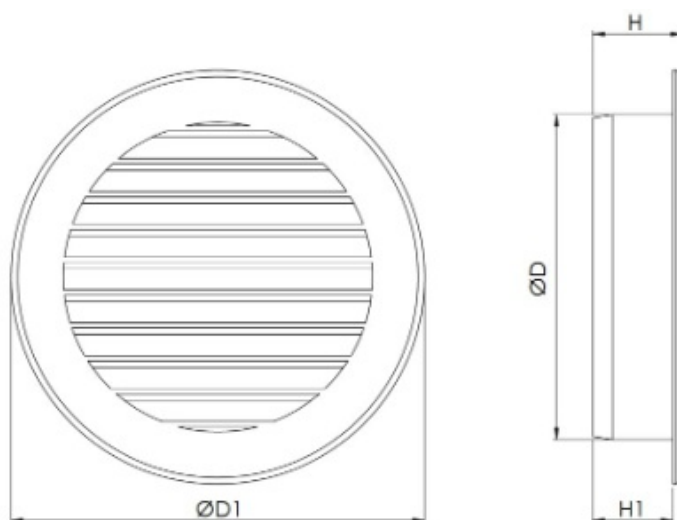
Black

Ventilation grille VR125

SKU: 00.000.096



- **Colour:** White
- **Weight:** 0.06 kg
- **ØD:** 124 mm
- **ØD1:** 151 mm
- **H:** 28 mm
- **H1:** 25 mm



Construction:

- Made of plastic
- With flange
- Integrated mosquito net

Installation:

- Installation in any position
- For indoor use
- Fixing with adhesive or screws
- Temperature range (°C): 0... +90

Colour:

White

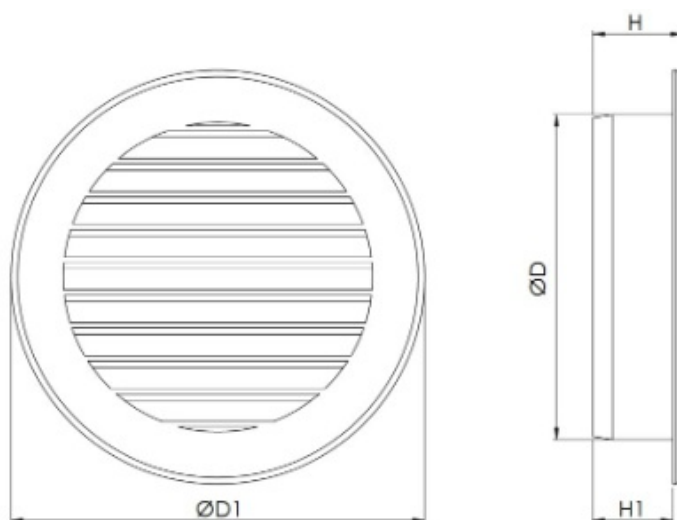


Ventilation grille VR125M

SKU: 00.000.138



- **Colour:** Black
- **Weight:** 0.06 kg
- **ØD:** 124 mm
- **ØD1:** 151 mm
- **H:** 28 mm
- **H1:** 25 mm



Construction:

- Made of plastic
- With flange
- Integrated mosquito net

Installation:

- Can be installed in any position
- Suitable for indoor use
- Fixing with adhesive or screws
- Temperature range (°C): 0... +90

Colour:

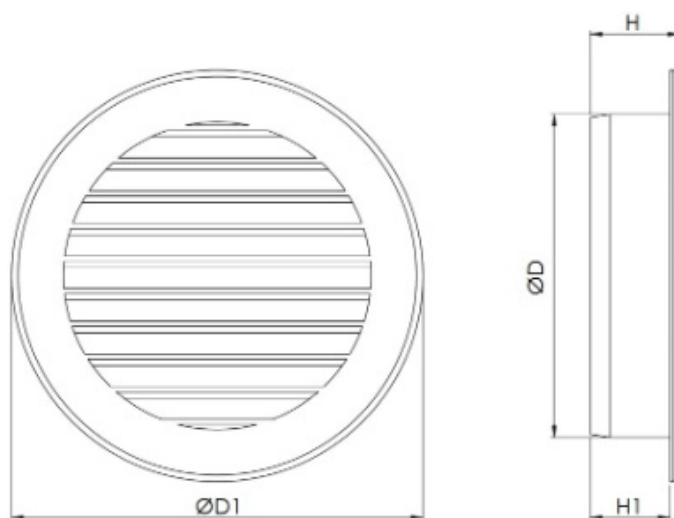
Black

Ventilation grille VR150

SKU: 00.000.097



- **Colour:** White
- **Weight:** 0.08 kg
- **ØD:** 149 mm
- **ØD1:** 188 mm
- **H:** 28 mm
- **H1:** 25 mm



Construction:

- Made of plastic
- With flange
- Integrated mosquito net

Installation:

- Can be installed in any position
- For indoor use
- Fixing with adhesive or screws
- Temperature range (°C): 0...+90.

Colour:

White

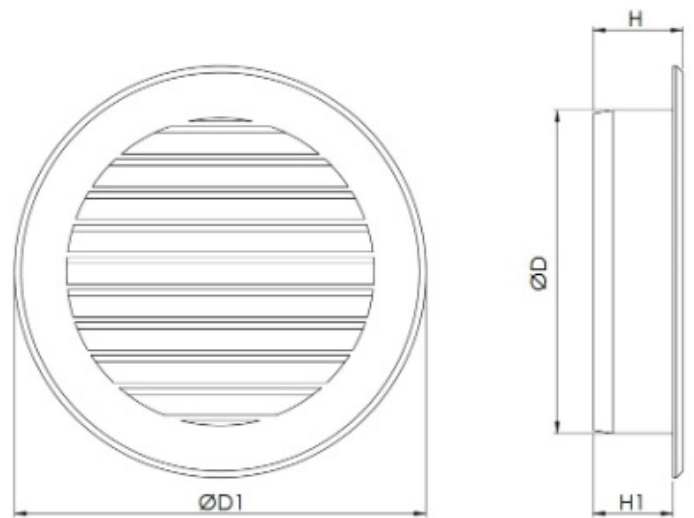


Ventilation grille VR150M

SKU: 00.000.139



- **Colour:** Black
- **Weight:** 0.08 kg
- **ØD:** 149 mm
- **ØD1:** 188 mm
- **H:** 28 mm
- **H1:** 25 mm



Construction:

- Made of plastic
- With flange
- Integrated mosquito net

Installation:

- Can be installed in any position
- Suitable for indoor use
- Fixing with adhesive or screws
- Temperature range (°C): 0... +90

Colour:

Black

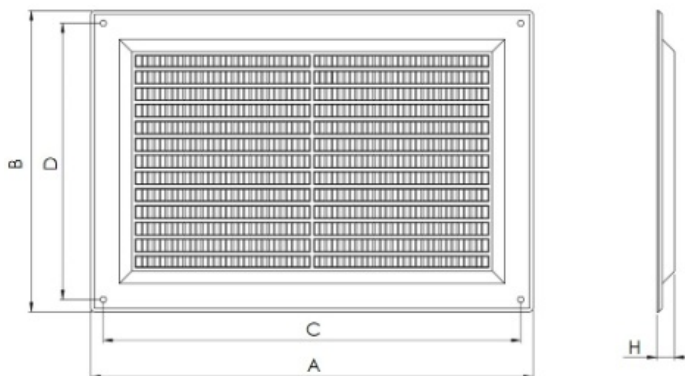


Ventilation grille VR1515

SKU: 00.000.142



- **Colour:** White
- **Weight:** 0.04 kg
- **A:** 148 mm
- **B:** 148 mm
- **C:** 133 mm
- **D:** 133 mm
- **H:** 9 mm



Construction:

- Made of plastic
- Integrated mosquito net

Installation:

- Can be installed in any position
- Suitable for indoor use
- Fixing with screws
- Temperature range (°C): 0...+90

Colour:

White

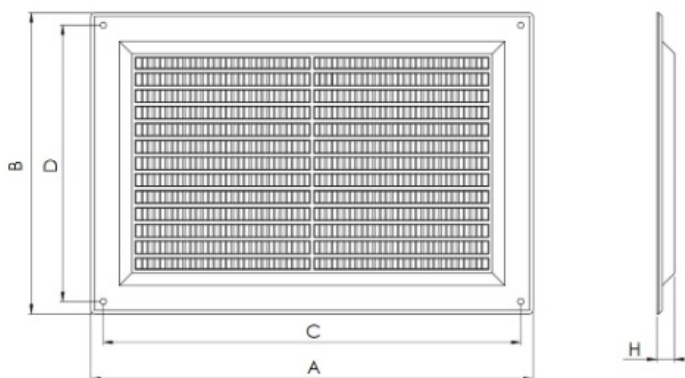


Ventilation grille VR1515M

SKU: 00.000.143



- **Colour:** Black
- **Weight:** 0.04 kg
- **A:** 148 mm
- **B:** 148 mm
- **C:** 133 mm
- **D:** 133 mm
- **H:** 9 mm



Construction:

- Made of plastic
- Integrated mosquito net

Installation:

- Can be installed in any position
- For indoor use
- Fixing with screws
- Temperature range (°C): 0...+90

Colour:

Black

manufacturer's address:
ELPLAST.com PSA
ul.Konarskiego 20
99-300 Kutno, Poland
tel. +48 24 2537865
e-mail: info@elplast.com
internet: www.elplast.com

