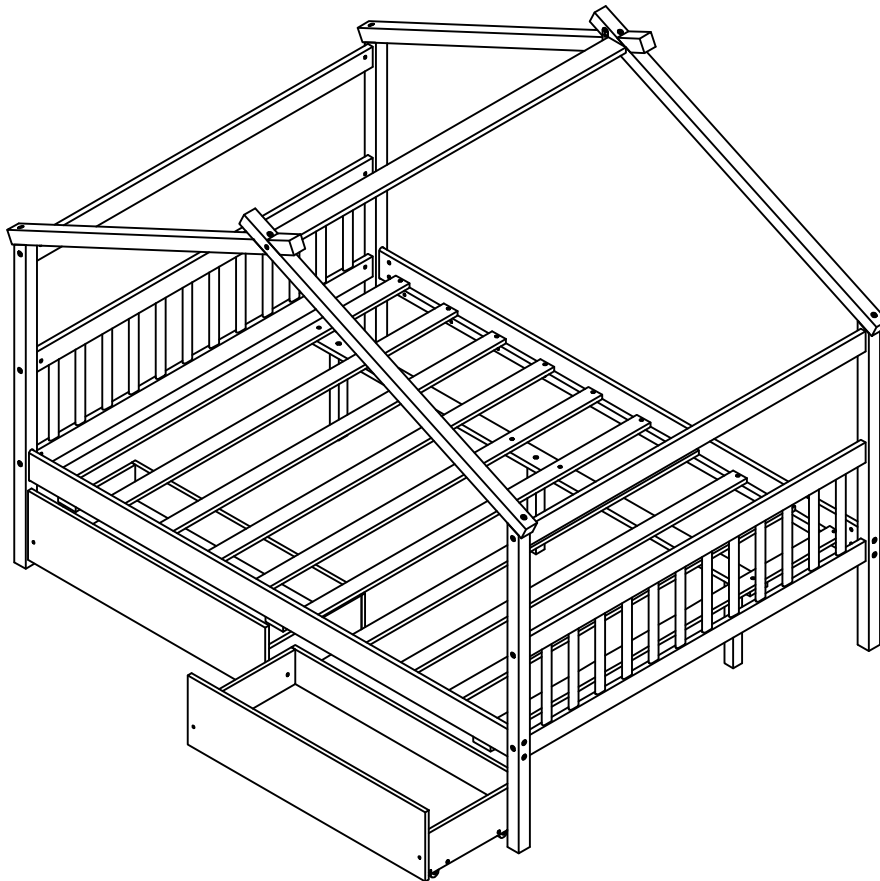


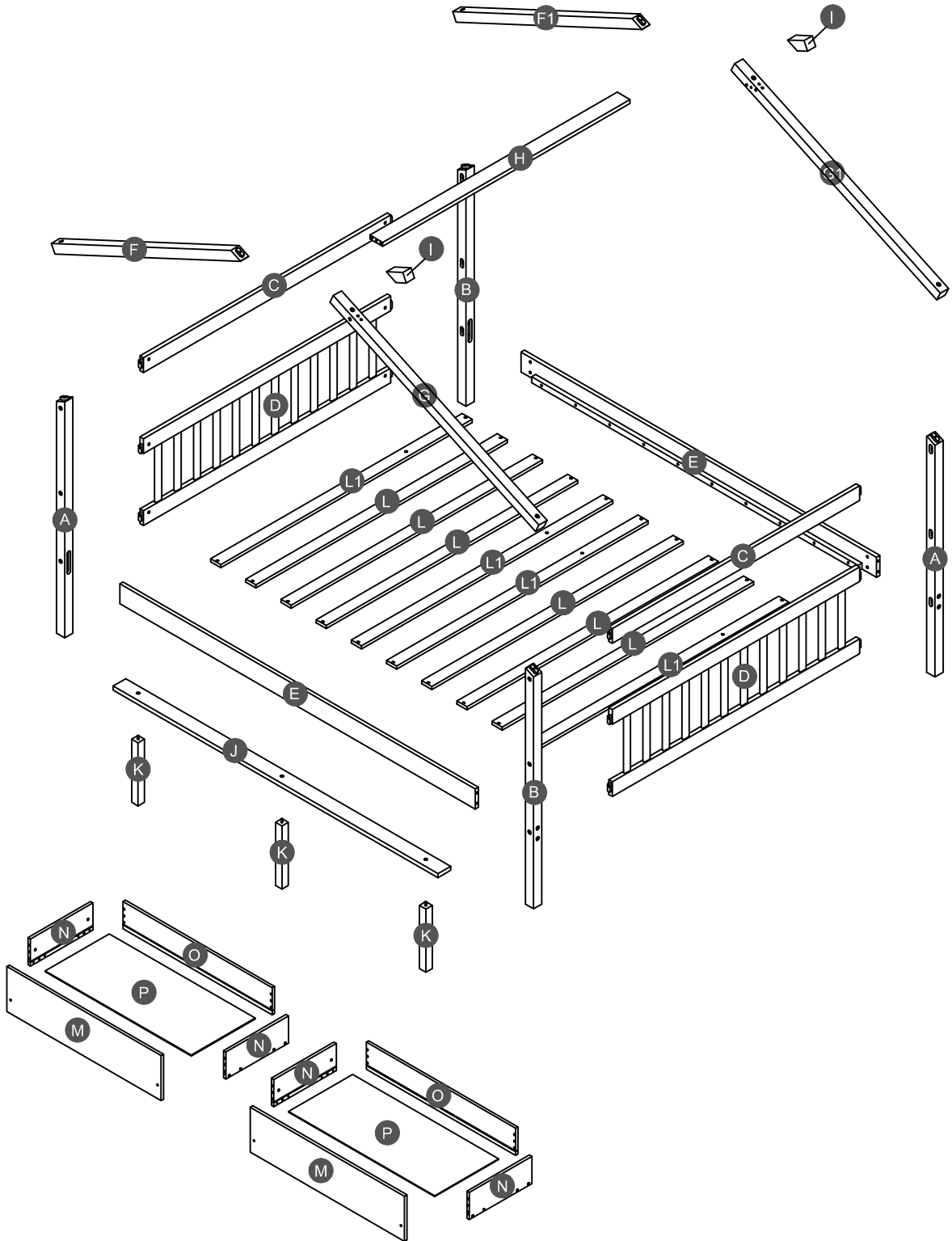
ASSEMBLY INSTRUCTIONS

FULL HOUSE BED WITH 2 DRAWERS



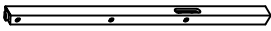
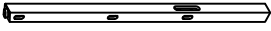
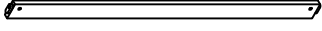
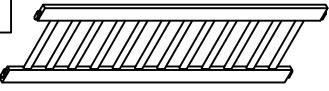

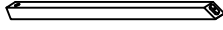
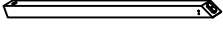
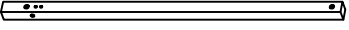
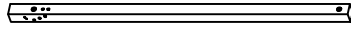
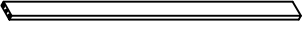


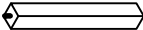


WF300803/WF300804

Detail View

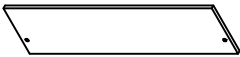
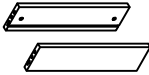

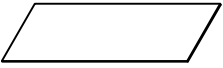


Part List

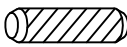
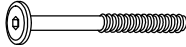
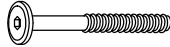





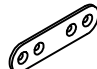
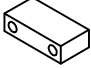
Hardware List WF300803

| | | |
|---|---|--|
| A  Leg (Left Front/Right Back) - 2pcs | B  Leg (Left Back/Right Front) - 2pcs | C  Horizontal bar HB/FB - 2pcs |
| D  Frame HB/FB - 2pcs | E  Side rail - 2pcs | F  Upper (Left Front) - 1pc |
| F1  Upper (Left Back) - 1pc | G  Upper (Right Front) - 1pc | G1  Upper (Right Back) - 1pc |
| H  Upper horizontal bar - 1pc | I  Block - 2pcs | J  Lower support slat - 1pc |
| K  Leg support - 3pcs | L  Slats - 6pcs | L1  Slats - 4pcs |

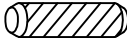

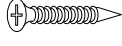
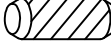
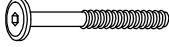
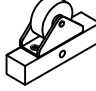
Hardware List WF300804

| | | |
|--|---|---|
| M  Front drawer panel - 2pcs | N  Left / right drawer panel - 4pcs | O  Back drawer panel - 2pcs |
| P  Drawer bottom - 2pcs | | |

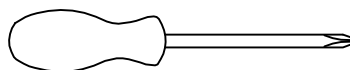
Hardware List WF300803

| | | | | | |
|-----------|--|----------|--|----------|---|
| 1 |  Ø8*30mm Wood dowel (6pcs) | 2 |  (Ø15)1/4"*100mm Hex-Head bolts (8pcs) | 3 |  (Ø15)1/4"*80mm Hex-Head bolts (14pcs) |
| 4 |  (Ø12)1/4"*65mm Hex-Head bolts (8pcs) | 5 |  1/4"*15 (9.5mm) Horizontal-Hole bolts(22pcs) | 6 |  (1/4")4.5*58mm Allen key (1pc) |
| 7 |  Ø4*30mm Wood screws (30pcs) | 8 |  Ø3.5*19mm Wood screws (8pcs) | 9 |  75*20*2 mm Metal bracket (2pcs) |
| 10 |  70*35*19 mm Drawer stopper (3pcs) | | | | |

Hardware List WF300804

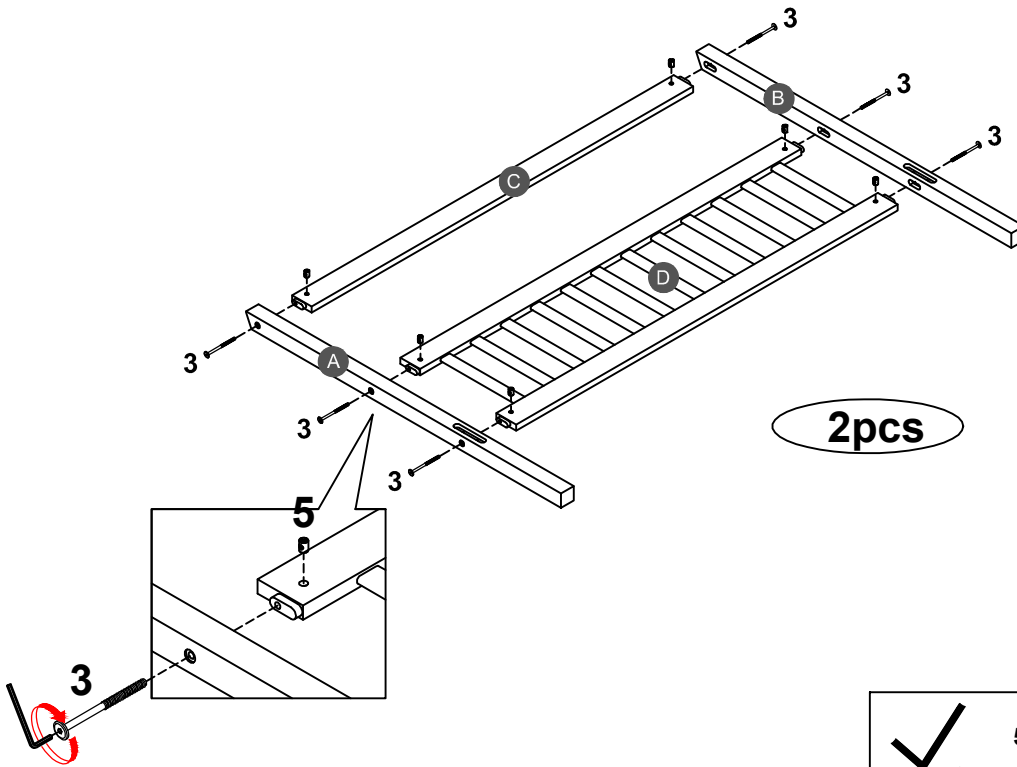
| | | | | | |
|-----------|--|-----------|---|-----------|---|
| 1 |  Ø8*30mm Wood dowel (16pcs) | 5 |  1/4"*15 (9.5mm) Horizontal-Hole bolts(8pcs) | 7 |  Ø4*30mm Wood screws (16pcs) |
| 11 |  Ø10*20mm Wood dowel (8pcs) | 12 |  (Ø12)1/4"*60mm Hex-Head bolts (8pcs) | 13 |  100*54*20 mm Wheels (8pcs) |

ASSEMBLY TOOLS REQUIRED (NOT INCLUDED)



PLEASE BE CAREFUL DO NOT DAMAGE THE HOLE POSITION WHEN YOU USE POWER TOOLS !

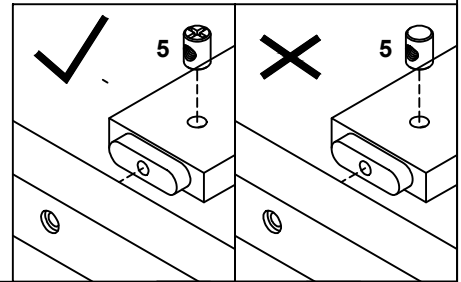
STEP 1:



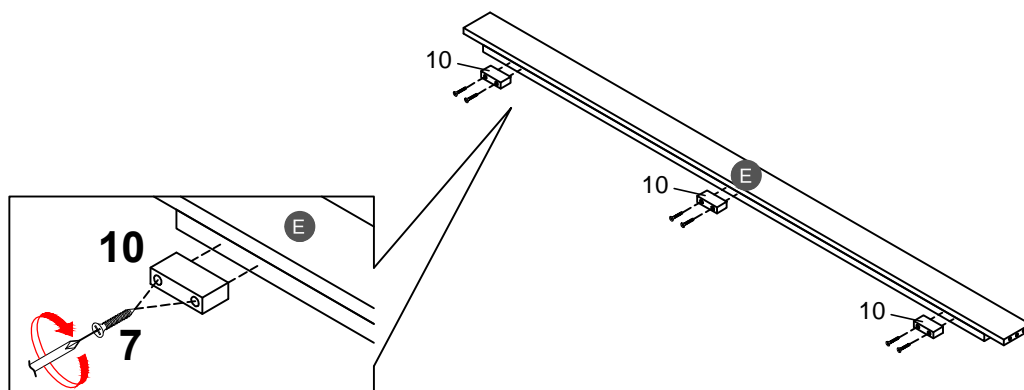
| | |
|--------------|--|
| 3 | |
| 12PCS | |
| 5 | |
| 12PCS | |

2pcs

Note: Part 5 will face up with the "x" mark on it, otherwise it cannot be tightened



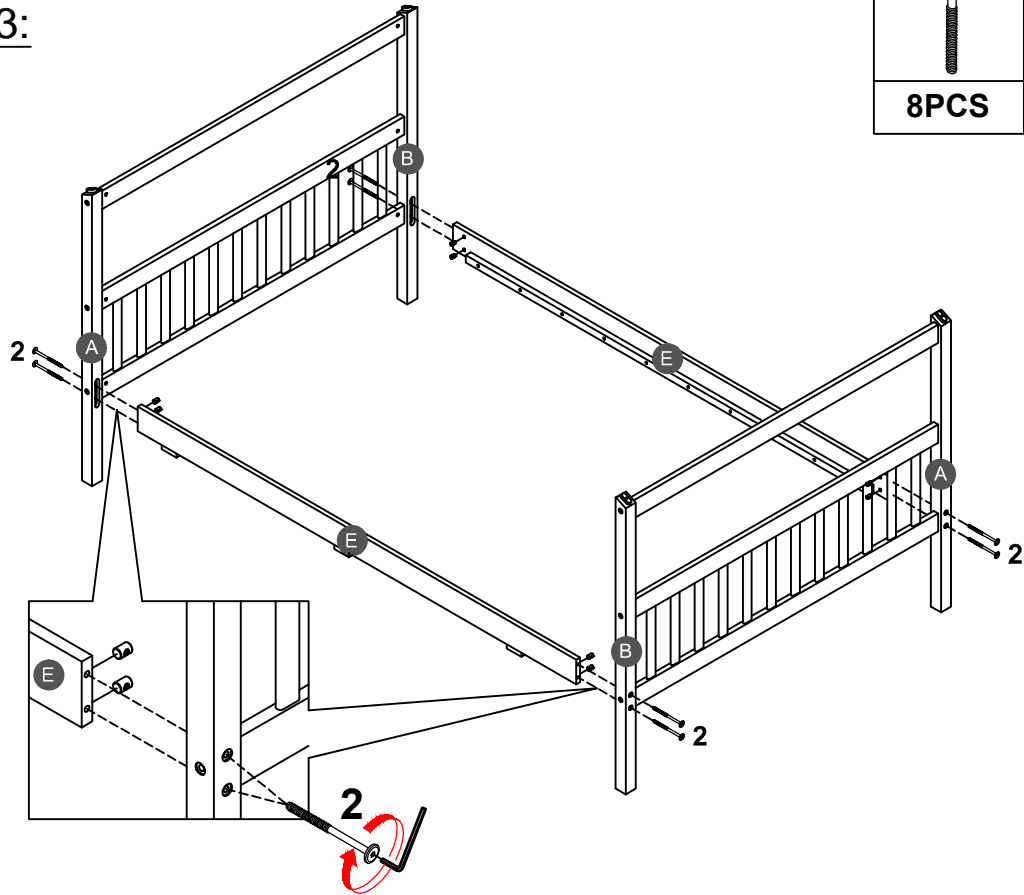
STEP 2:





| | | | |
|-------------|--|-------------|--|
| 7 | | 10 | |
| 6PCS | | 3PCS | |

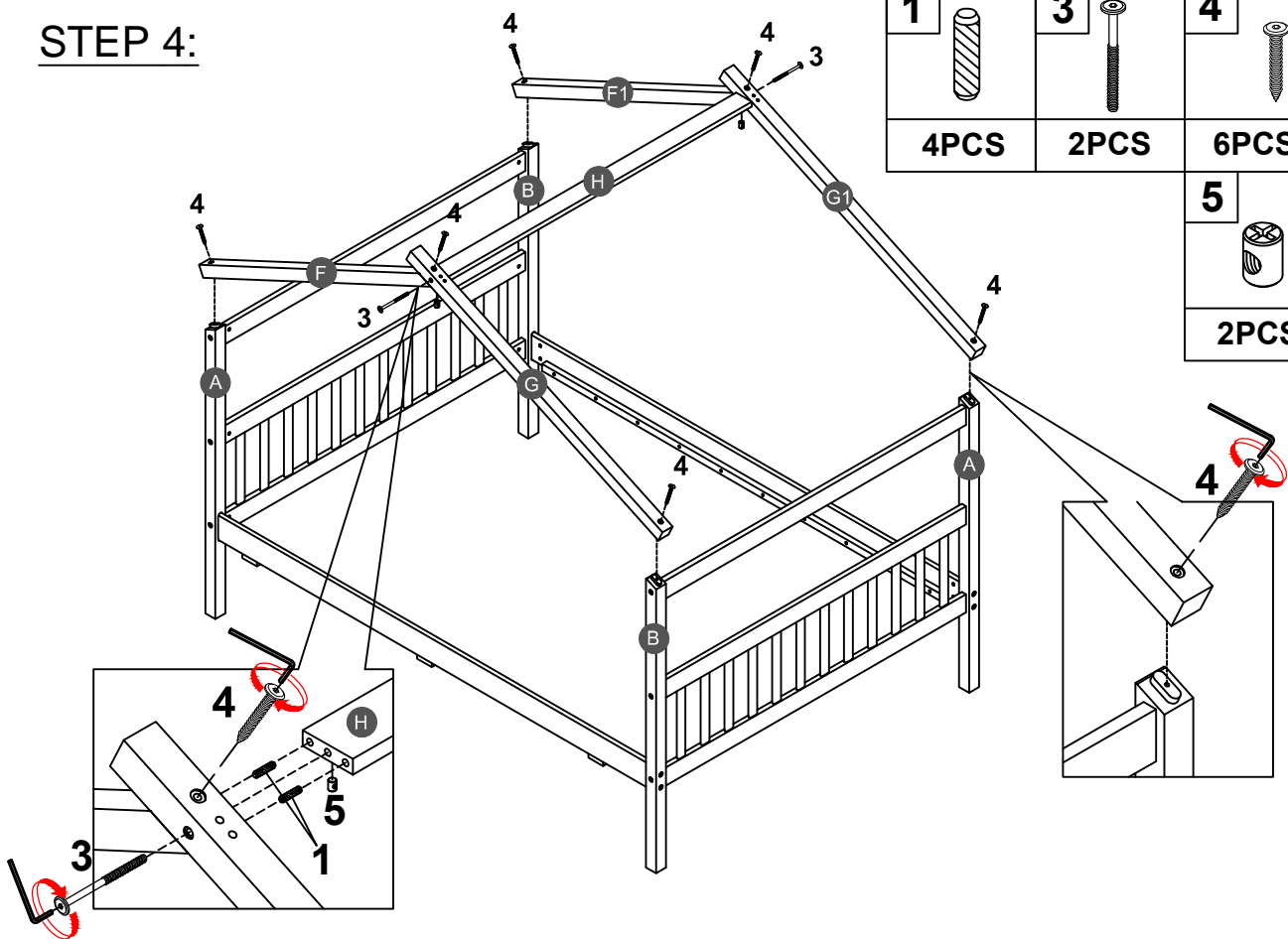
Drawer stopper (10) with lower side rail front (E) by using screw (7).





STEP 3:



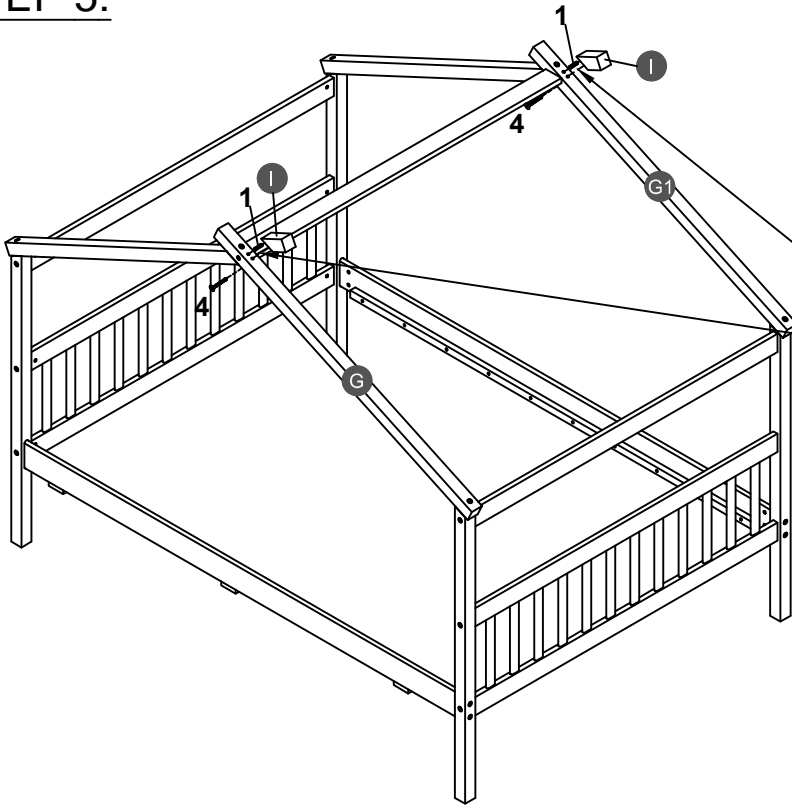
| | | | |
|-------------|---|-------------|---|
| 2 |  | 5 |  |
| 8PCS | | 8PCS | |



STEP 4:

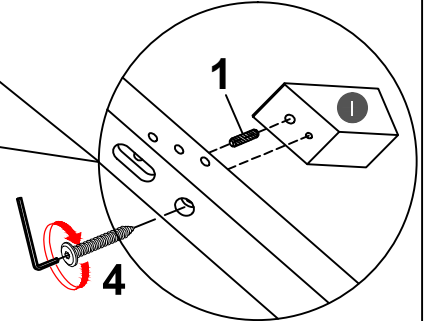


| | | | | | |
|-------------|---|-------------|---|-------------|---|
| 1 |  | 3 |  | 4 |  |
| 4PCS | | 2PCS | | 6PCS | |
| | | | | | 5 |
| | | | | |  |
| | | | | | 2PCS |

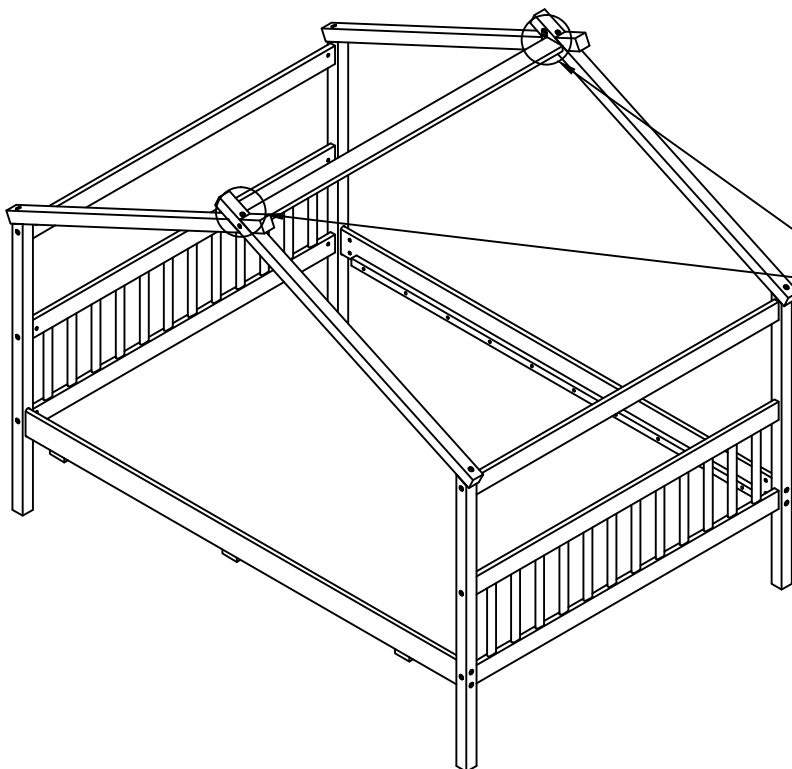
STEP 5:


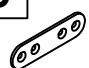


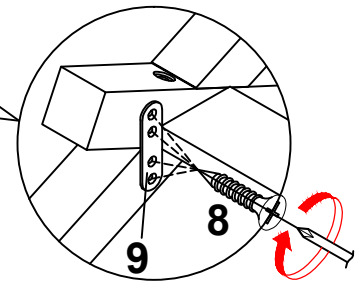
| | | | |
|-------------|---|-------------|---|
| 1 |  | 4 |  |
| 2PCS | | 2PCS | |



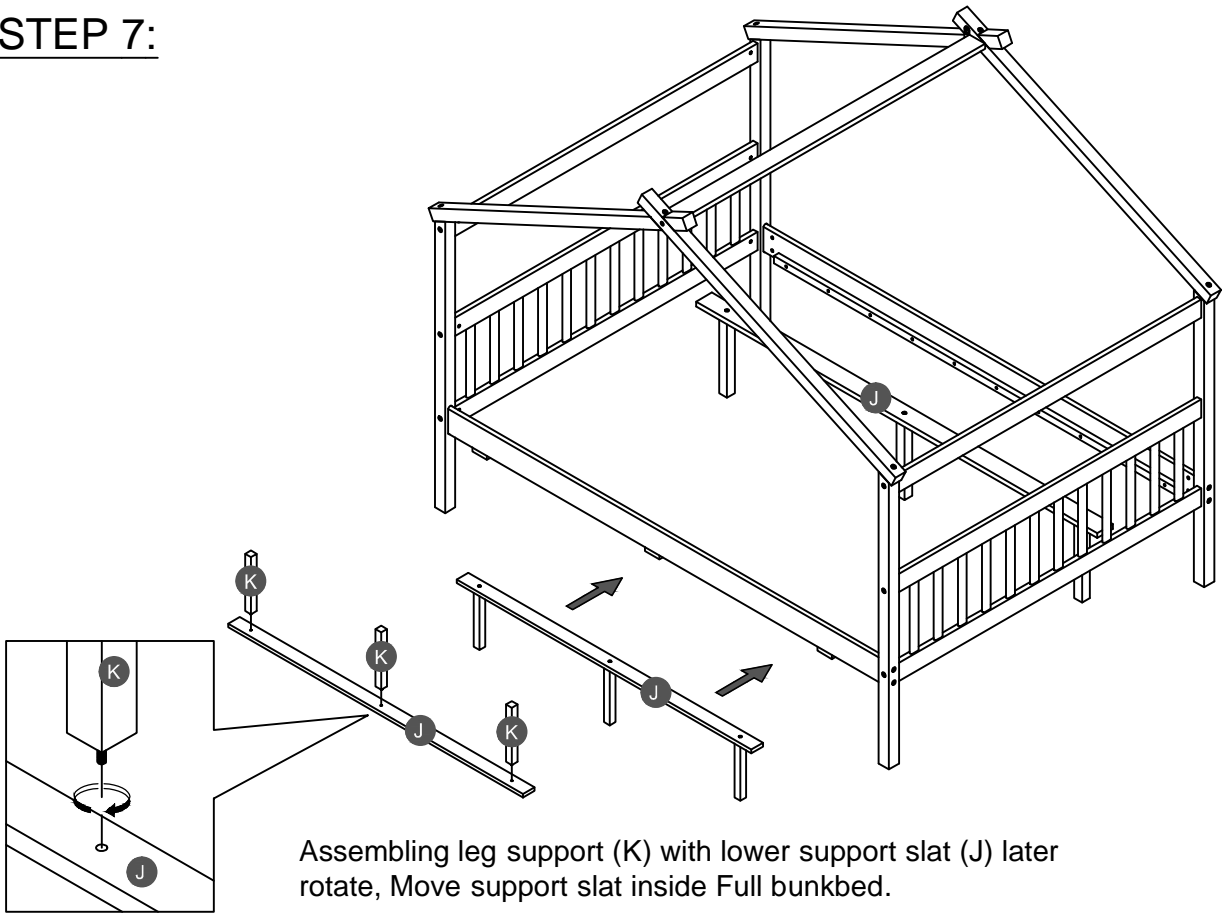
STEP 6:



| | | | |
|-------------|---|-------------|---|
| 8 |  | 9 |  |
| 8PCS | | 2PCS | |



STEP 7:

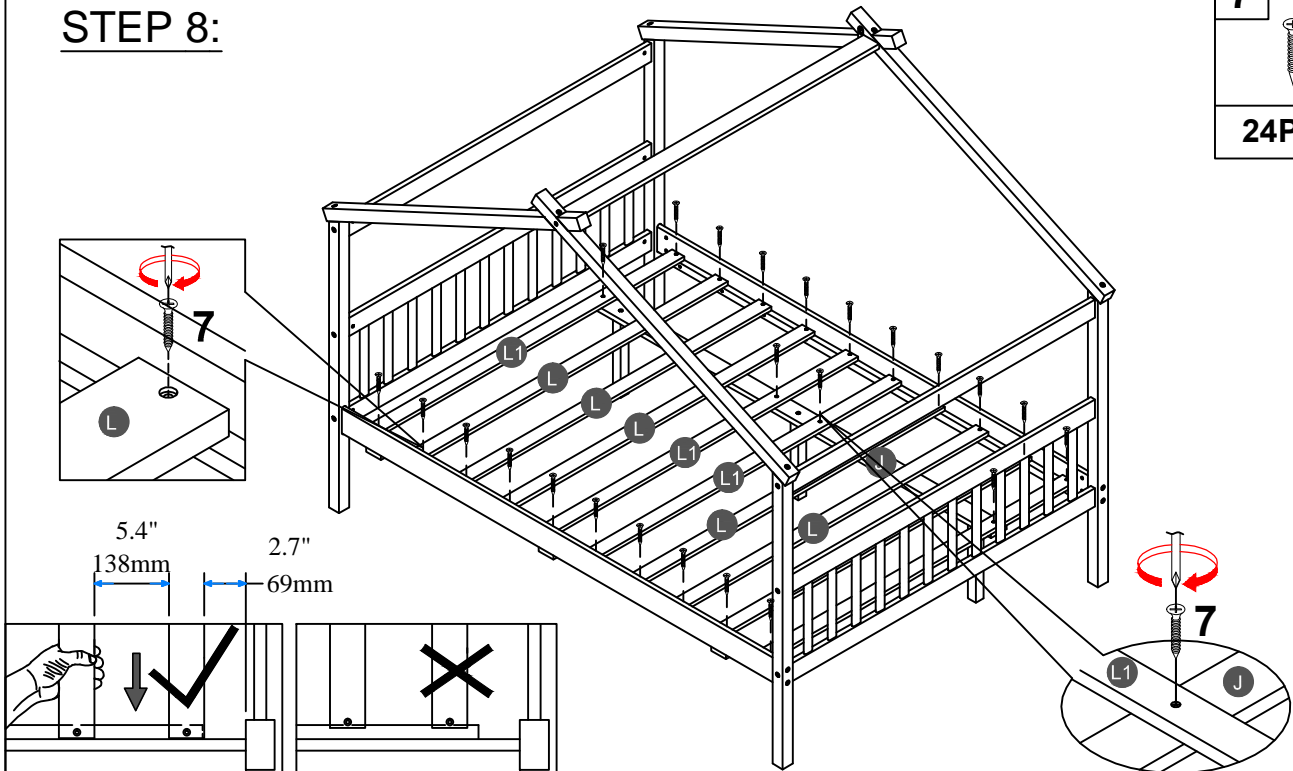


STEP 8:




7

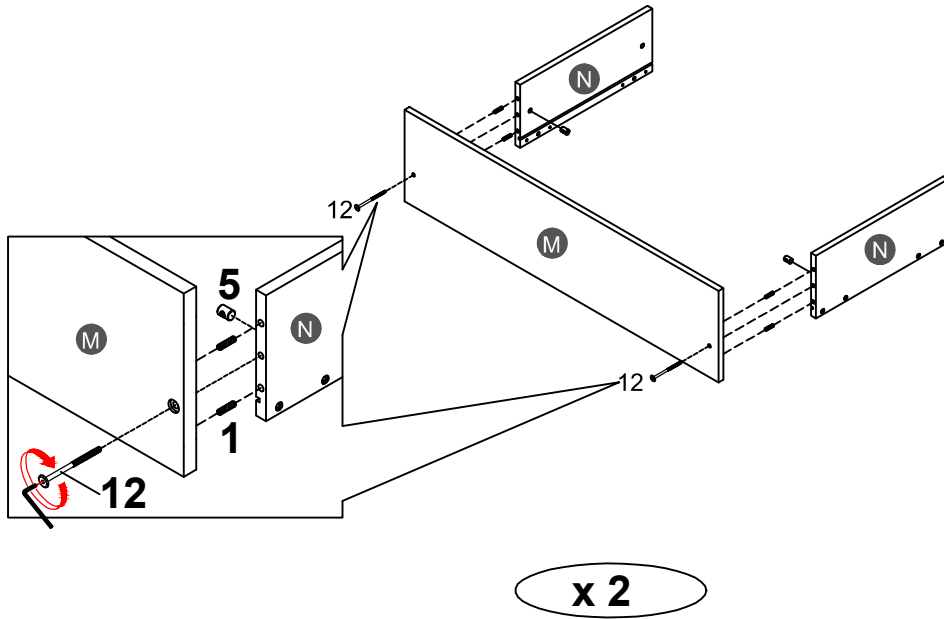


24PCS






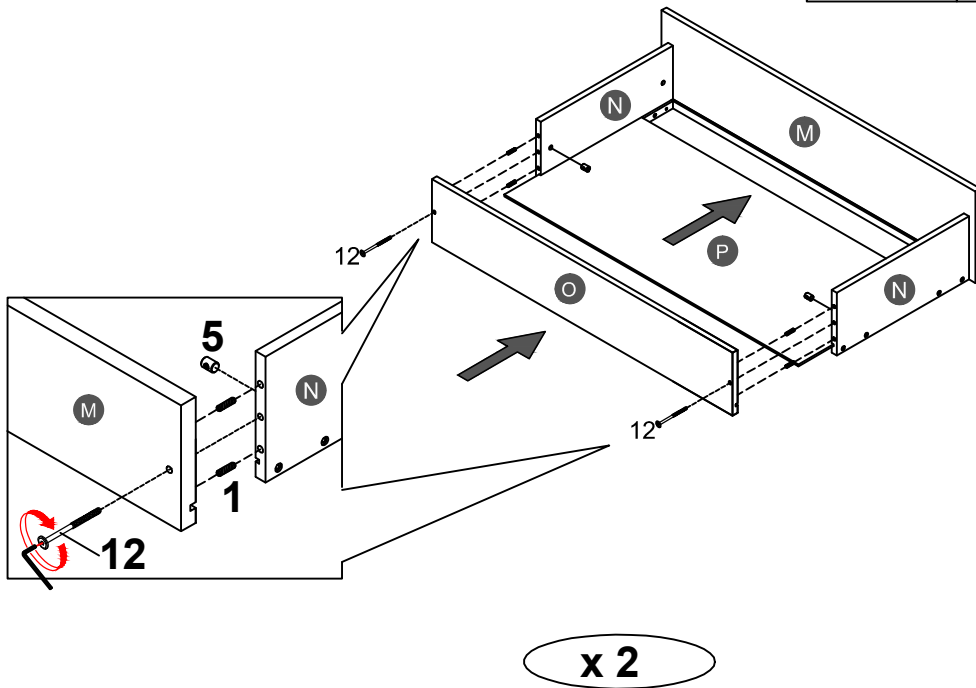
STEP 9:

| | | |
|---|--|---|
| 1  | 12  | 5  |
| 8PCS | 4PCS | 4PCS |



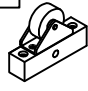


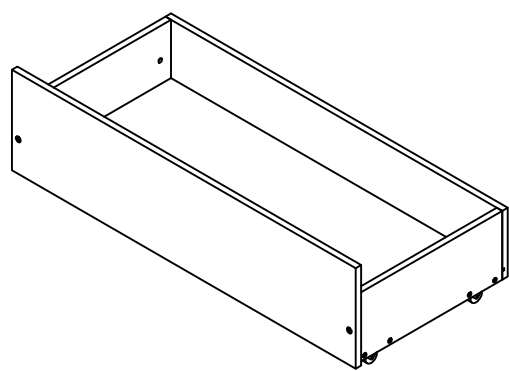
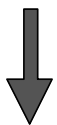
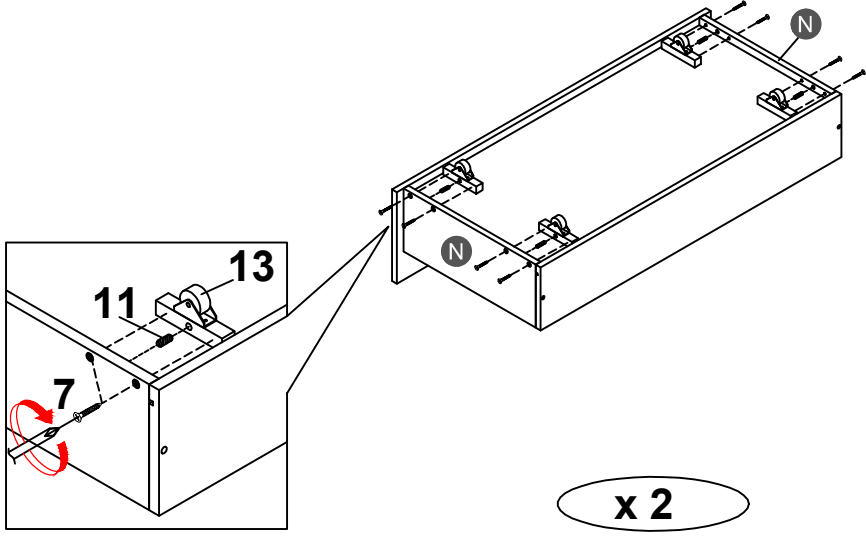
STEP 10:

| | | |
|---|--|---|
| 1  | 12  | 5  |
| 8PCS | 4PCS | 4PCS |

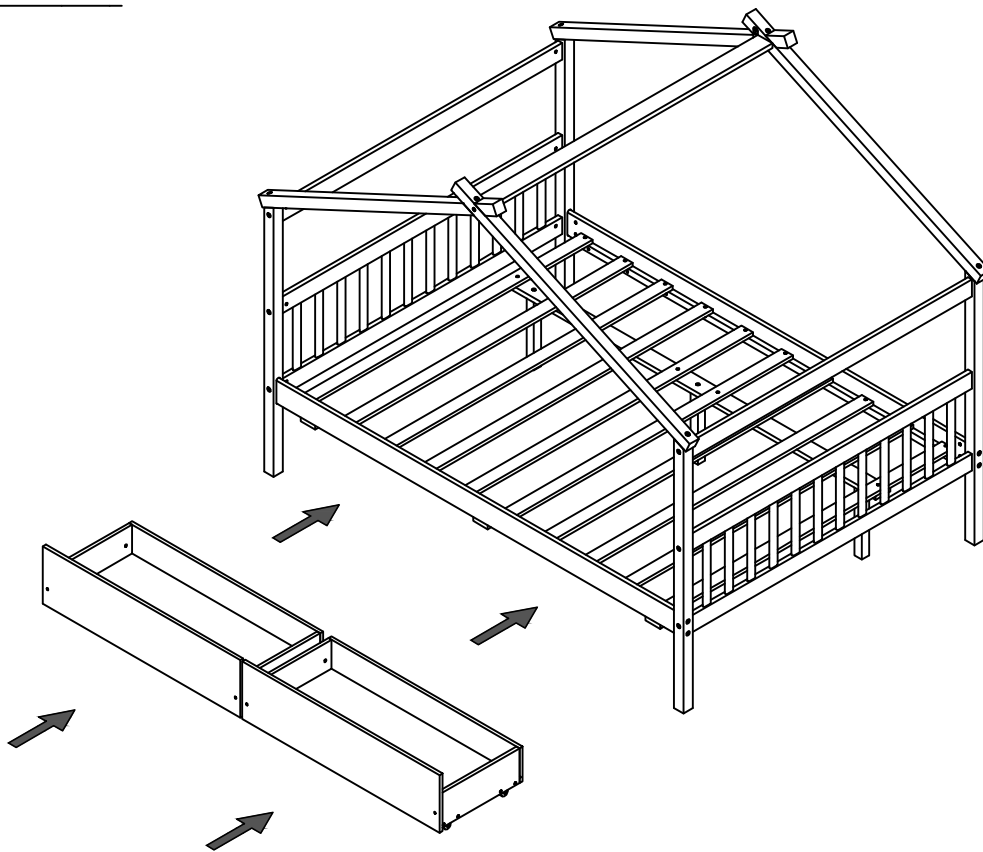


STEP 11:

| | | |
|---|---|---|
| 7 | 11 | 13 |
|  |  |  |
| 16PCS | 8PCS | 8PCS |



STEP 12:



Push Trundle and Drawer under the bottom of Bunkbed.

