



Mission Mountain *UltraPort CinchLock Pro* Camping Chair



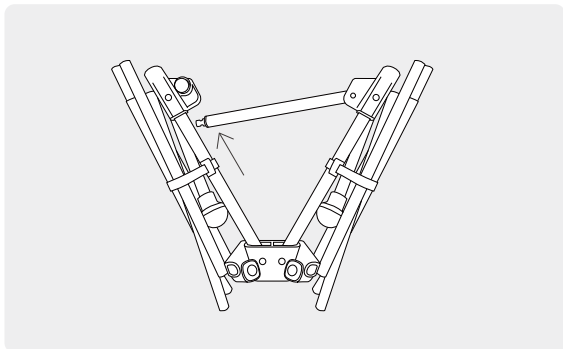
Product Manual



Scan code for
installation video.

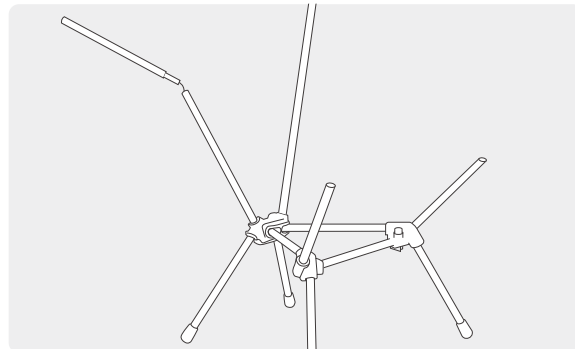
SETUP INSTRUCTION

1



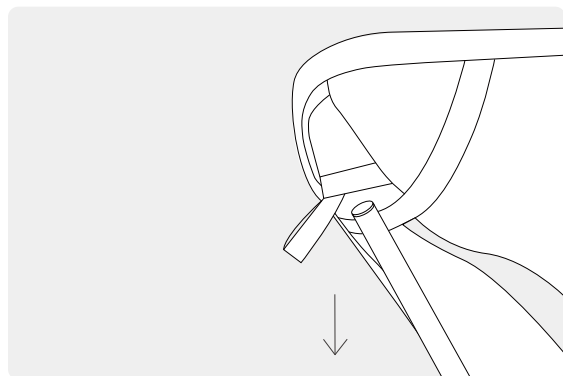
Pull the V-shaped joint and push until the spring lock is locked into place.

2



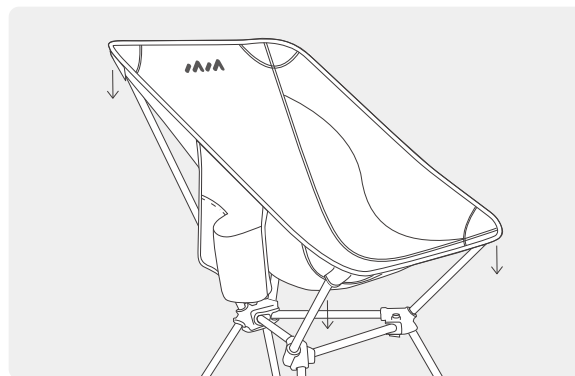
Untie the hook and loop strap to unfold the metal frame, and insert the aluminum tubes into the holes of the elbow fitting.

3



Secure the chair fabric onto the frame by pulling and fastening the straps.

4



Secure the four corners of the chair fabric onto the frame one by one, and the chair is assembled.

HOW TO DISASSEMBLE

1. Take off the chair fabric from the metal frame.
2. Fold the right and left frames and tie them with the hook and loop straps.
3. Press the CinchLock button in the middle shaft to retract and gather the left and right frames together.
4. Fold the chair fabric as the above figure shows.
5. Wrap the metal frame in the chair fabric and place it in the carry bag. Zip it up and you're done.

PRODUCT INFORMATION

Product Size: 21.7" x 20.9" x 26.8" (55 x 53 x 68cm)

Package Size: 15" x 5.9" x 5.5" (38 x 15 x 14cm)

Net Weight: 2.79lbs (1.27kg)

Product Capacity: 224lbs (102kg)

Product max Capacity: 330lbs (150kg)

1-YEAR WARRANTY

Not just about the 365-day warranty, but the 100% satisfactory service. Mission Mountain provides a 1-year warranty if you have any dissatisfaction with our products or any suggestions. Please feel free to contact us at

service@missionmountain.us