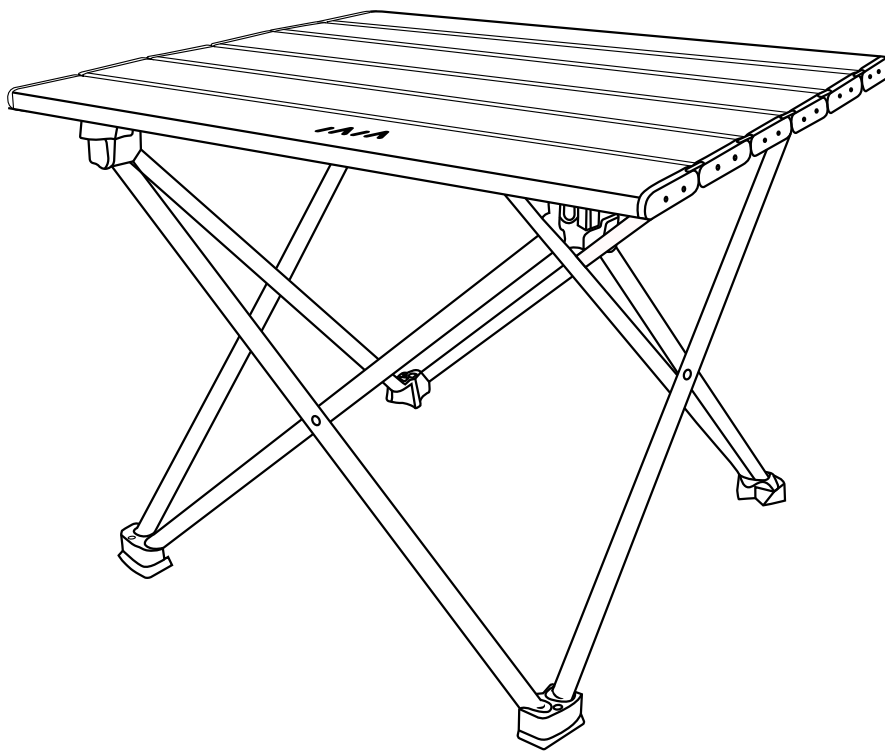




Mission Mountain *UltraPort* Camping Table



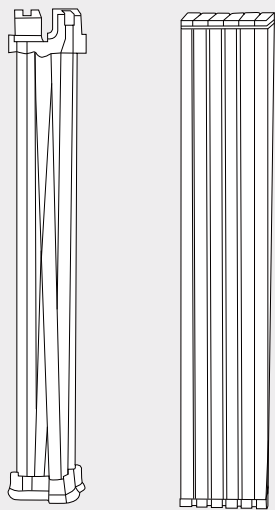
Product Manual



Scan code for
installation video.

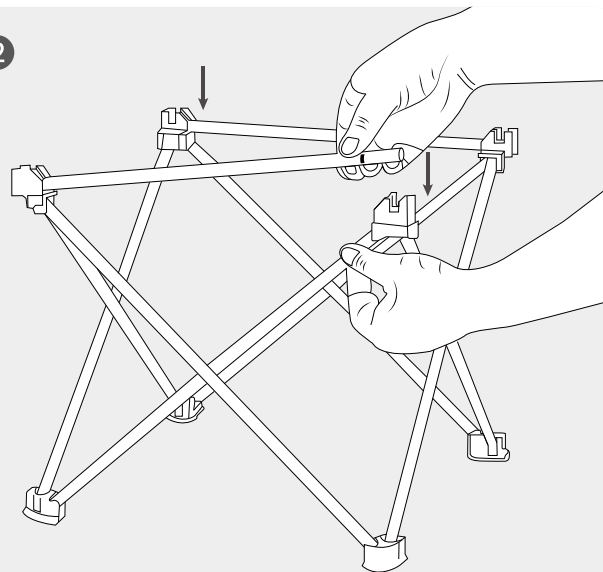
HOW TO ASSEMBLE

1



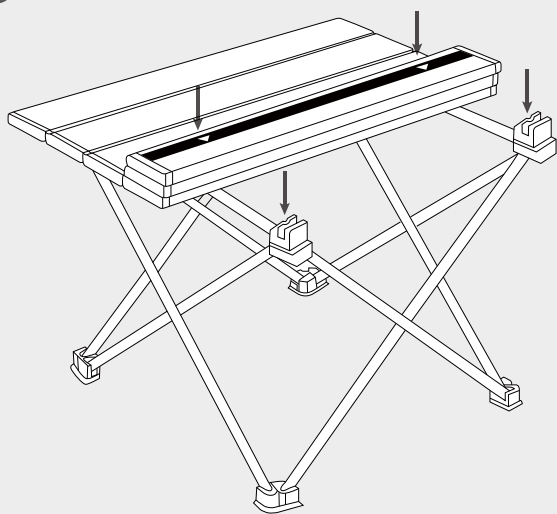
Unfold the bracket and tabletop.

2



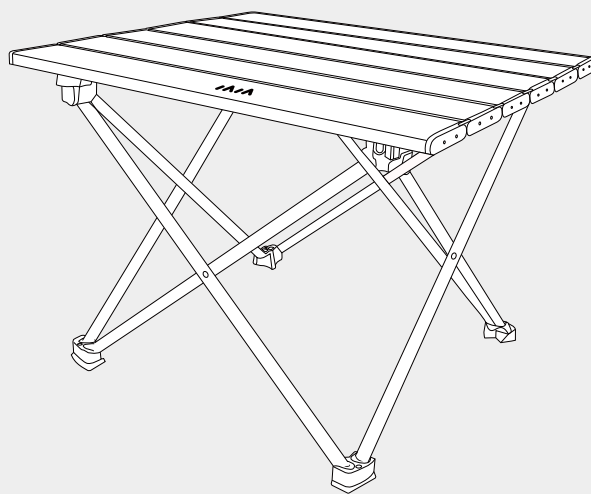
Snap the two crossbars firmly into the plastic parts and organize the bracket.

3



Snap the four plastic parts of the bracket onto the poles on the opposite side of the tabletop.

4



Assembly is complete.

PACKAGE LIST



Carry Bag*1



Tabletop*1



Bracket*1

HOW TO DISASSEMBLE

1. Take off the tabletop from the bracket.
2. Take off the crossbars from the plastic parts and fold the bracket.
3. Tie the tabletop and bracket with attached elastic cords.
4. Place the tabletop and bracket in the carry bag. Zip it up and you are done.

CAUTION

1. Do not put forcible effort into assembly and disassembly to cause irreversible damage.
2. Place the folding table on sturdy, flat ground to avoid tumbling.
3. Do not exceed the specified weight capacity (66lbs/30kg).
4. Please get in touch with the Mission Mountain Customer Service Team if you need any help.

1-YEAR WARRANTY

Not just about the 365-day warranty, but the 100% satisfactory service. Mission Mountain provides a 1-year warranty if you have any dissatisfaction with our products or any suggestions. Please feel free to contact us at service@missionmountain.us.