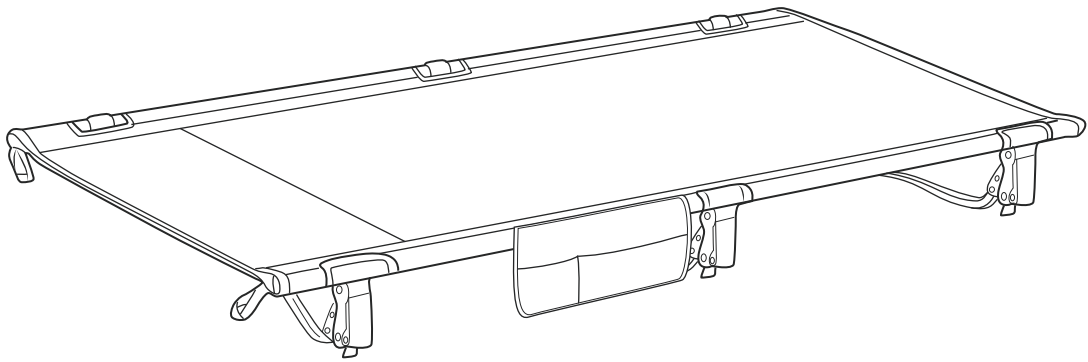




Mission Mountain *UltraPort* Camping Cot



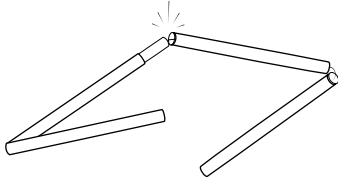
Product Manual



Scan code for
installation video.

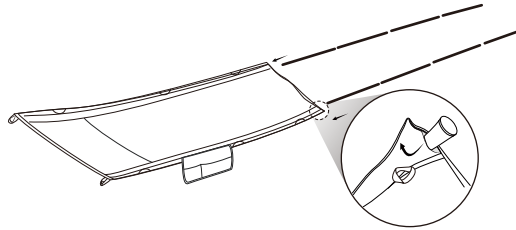
SETUP INSTRUCTION

1



Assemble the two crossbars.

2



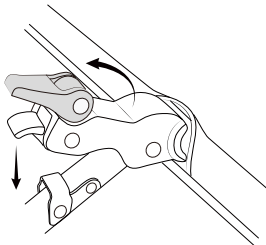
Insert them into the sleeves on both sides of the bed cloth. Secure them by fully inserting into the end of the sleeves.

3



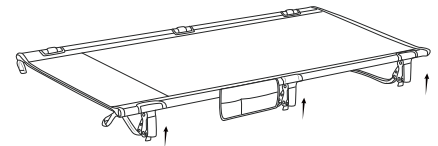
Connect two sides of the support rod and repeat the process for the other two support rods.

4



Put one end of the support rod on the crossbar, clamp it down and lock it as shown above. Then do the same to the other end.

5



The inner tent is all set. Then place the rainfly over the tent.

PRODUCT INFORMATION

Product Size: 75.6" x 27.6" x 7.1" (192.1 x 70.1 x 18.0 cm)

Package Size: 17.3" x 6.7" x 6.7" (44.1 x 17.2 x 17.1 cm)

Net Weight: 5.3 lbs (2.42 kg)

Packed Weight: 5.6 lbs (2.56 kg)

Product Capacity: 330 lbs (150 kg)

Product Max Capacity: 350 lbs (158 kg)

1-YEAR WARRANTY

Not just about the 365-day warranty, but the 100% satisfactory service. Mission Mountain provides a 1-year warranty if you have any dissatisfaction with our products or any suggestions. Please feel free to contact us at

service@missionmountain.us