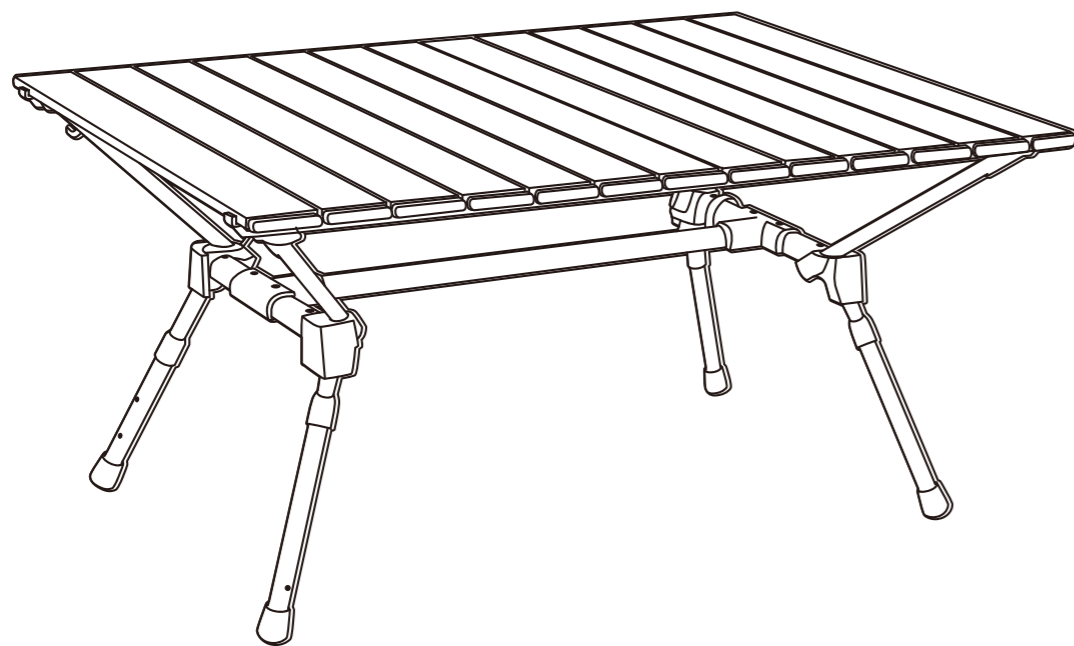




Mission Mountain S4 Camp Table

Good Times will Roll 'round the Table.

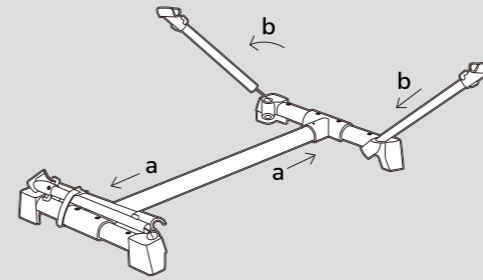


Installation Manual

Made in China

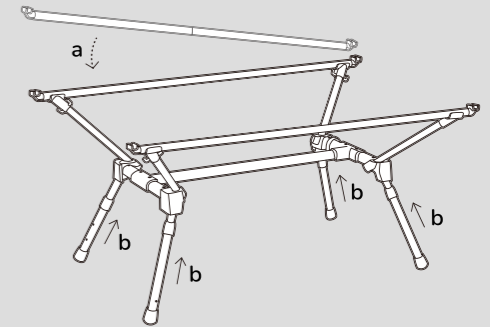
Set-Up Instructions

1



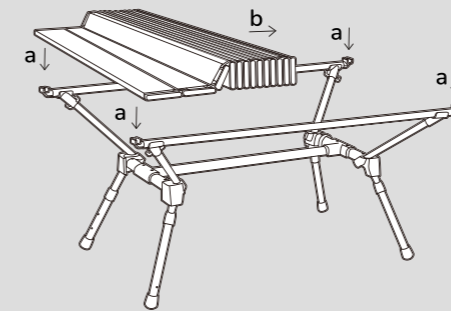
Insert the center rod into each bracket to build the base. Unfasten hook-and-loop straps to release support poles. Click support poles into position.

2



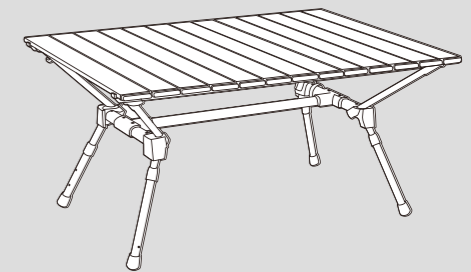
Snap legs into the bottom of the base. Click to secure. Fasten both frame poles to the top of the support poles. Make sure all components are locked in place.

3



Unfold the tabletop and secure it into the clips on each frame corner.

4



Once built, adjust the legs to the desired height.

Maintenance

Mission Mountain S4 Camp Table is easy to clean, and all components can be washed with soap and water. After washing, allow the pieces to dry before placing them in the storage bag.

Capacity: 66 lbs. / 30 kg

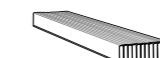
Package List



Storage Bag*1



Frame Pole*2



Tabletop*2



Base Bracker*2



Center Rod*1

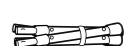


Table Leg*1