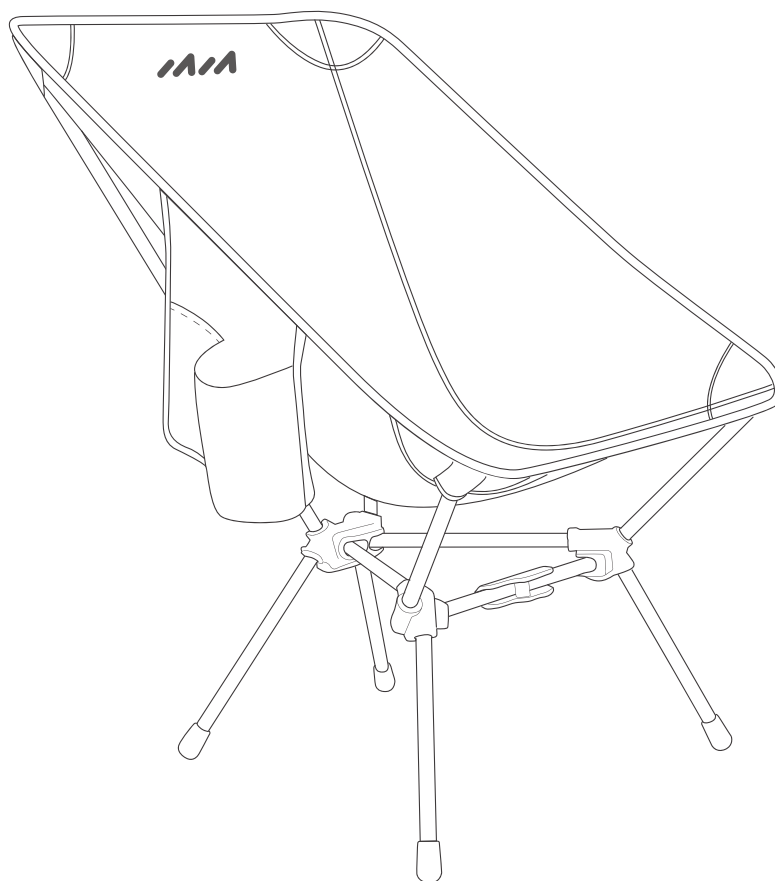


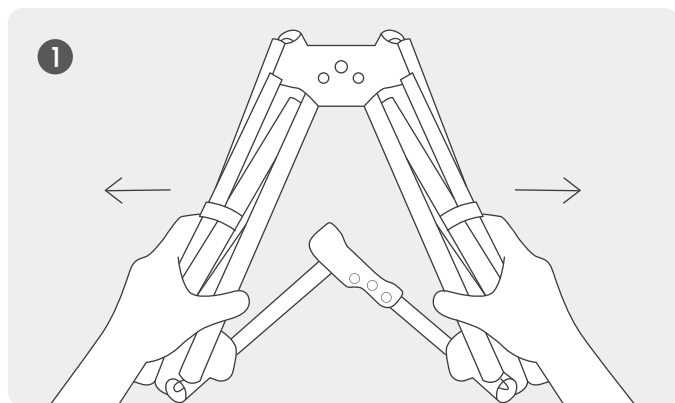


Mission Mountain V-Shape High Back Camping Table

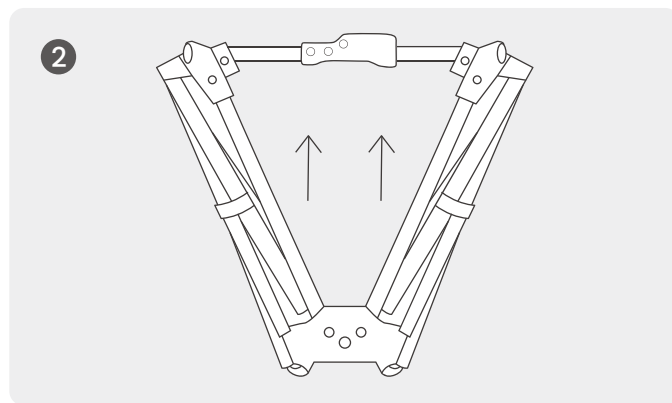


Product Manual

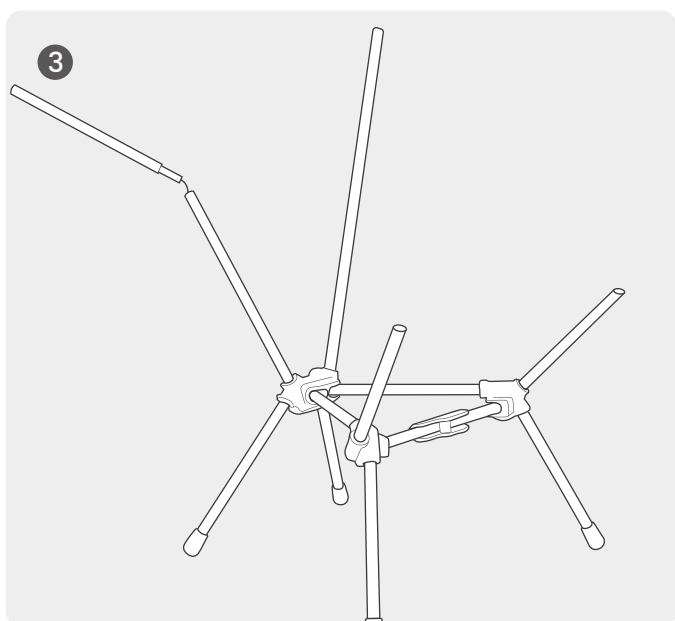
HOW TO ASSEMBLE



1 Pull apart the right and left frames towards the direction as the figure shows.



2 Pull the V-shaped joint and push until the spring lock is locked into place.



3 Untie the hook and loop strap to unfold the metal frame, and insert the aluminum tubes into the holes of the elbow fitting.

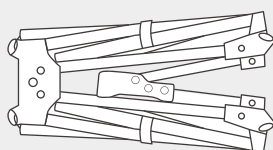


4 Secure the front and back anchor brands to the frame.

PACKAGE LIST



Carry Bag*1



Aluminum Alloy Frame*1



Chair Fabric*1

HOW TO DISASSEMBLE

1. Take off the chair fabric and the carry bag from the metal frame.
2. Fold the right and left frames and tie them with the hook and loop straps.
3. Press the spring lock button in the middle shaft to retract and gather the left and right frames together.
4. Fold the chair fabric as the figure shows.
5. Wrap the metal frame in the chair fabric and place it in the carry bag. Zip it up and you're done.

CAUTION

1. Do not put forcible effort into assembly and disassembly to cause irreversible damage.
2. Place the folding table on sturdy, flat ground to avoid tumbling.
3. Do not exceed the specified weight capacity (66lbs/30kg).
4. Please get in touch with the Mission Mountain Customer Service Team if you need any help.

1-YEAR WARRANTY

Not just about the 365-day warranty, but the 100% satisfactory service. Mission Mountain provides a 1-year warranty, if you have any dissatisfaction with our products or any suggestions. Please feel free to contact us at service@missionmountain.us.