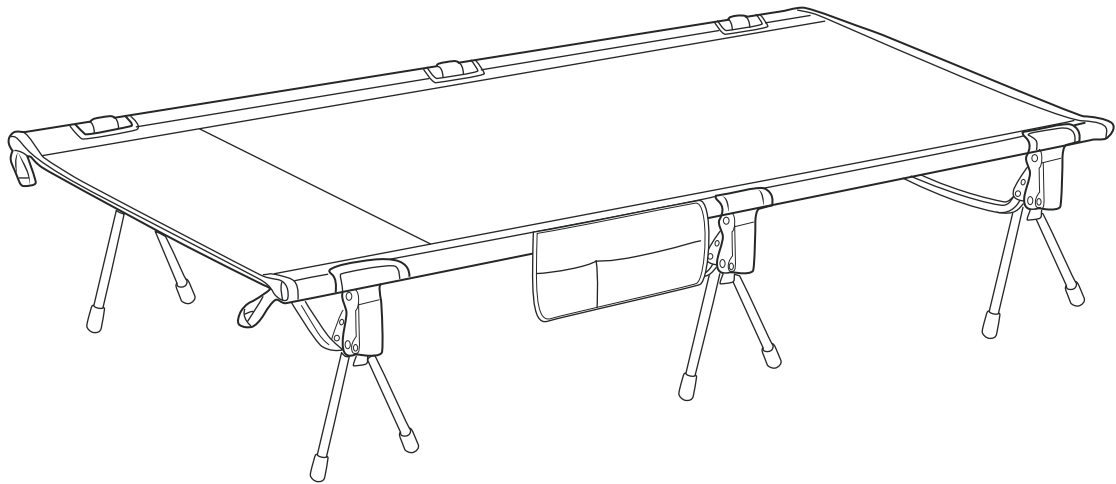




Mission Mountain FinePort King Camping Cot



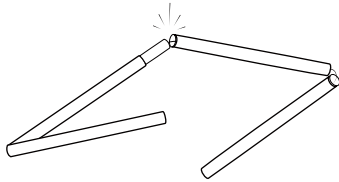
Product Manual



Scan code for
installation video.

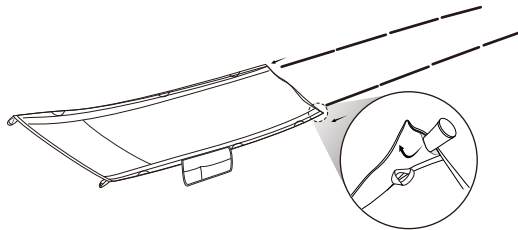
SETUP INSTRUCTION

1



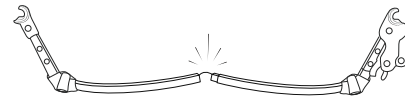
Assemble the two crossbars.

2



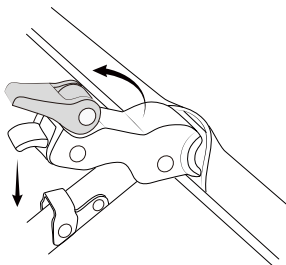
Insert them into the sleeves on both sides of the bed cloth. Secure them by fully inserting into the end of the sleeves.

3



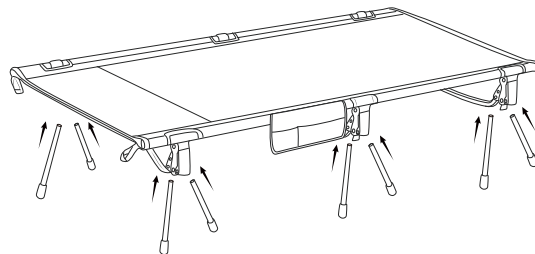
Connect two sides of the support rod and repeat the process for the other two support rods.

4



Put one end of the support rod on the crossbar, clamp it down and lock it as shown above. Then do the same to the other end.

5



Assemble the remaining support rods in the same way as in Step 3. Align the 12 legs with the designated slots of the support rods and securely insert them to complete the assembly.

PRODUCT INFORMATION

Product Size: 75.6" x 35.1" x 16.7" (192.2 x 89.1 x 42.6 cm)

Package Size: 19.3" x 8.9" x 7.1" (49.2 x 22.5 x 18.2 cm)

Net Weight: 9.2 lbs (4.17 kg)

Packed Weight: 9.5 lbs (4.34 kg)

Product Capacity: 350 lbs (158 kg)

Product Max Capacity: 380 lbs (172 kg)

1-YEAR WARRANTY

Not just about the 365-day warranty, but the 100% satisfactory service. Mission Mountain provides a 1-year warranty if you have any dissatisfaction with our products or any suggestions. Please feel free to contact us at

service@missionmountain.us