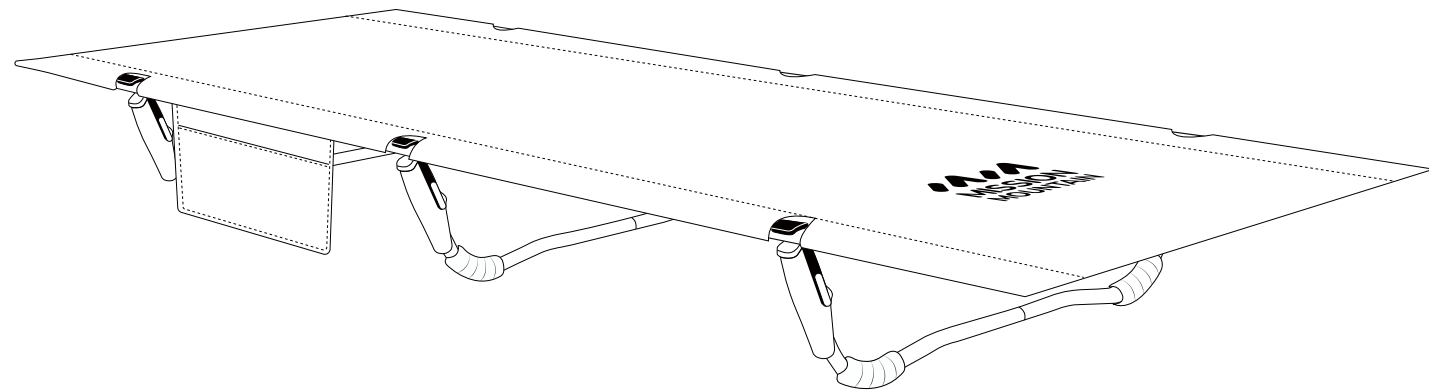




Mission Mountain A4 Camp Cot

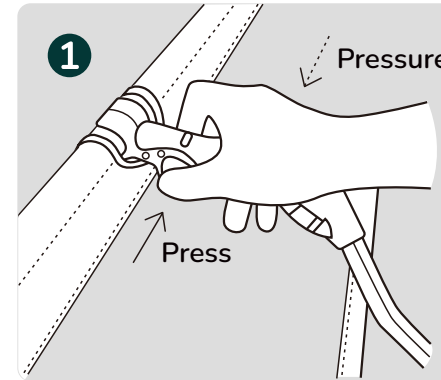
Snooze in a snap, camping just got comfier.



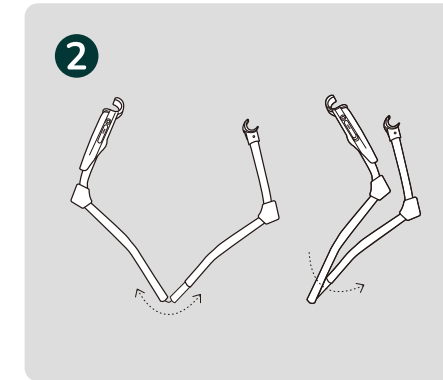
Installation Manual

Made in China

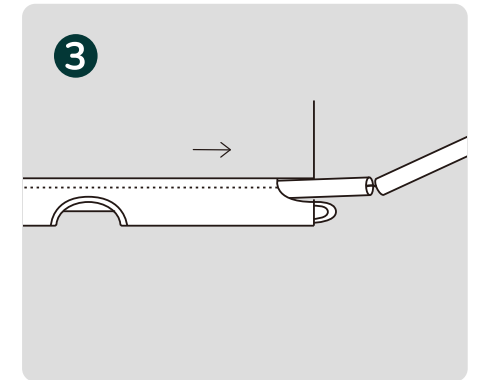
How to Disassemble



Apply pressure to the lever with your wrist and press metal buttons on either side to unlock, release tension, and remove the legs.

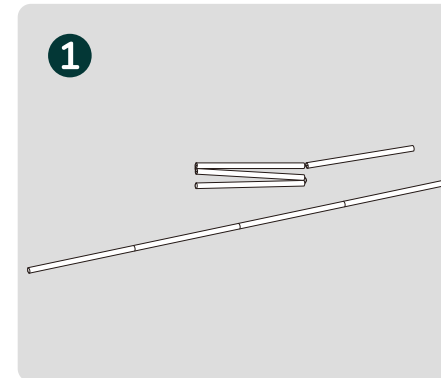


Hold two sides of the leg to fold. Repeat with the other two legs.

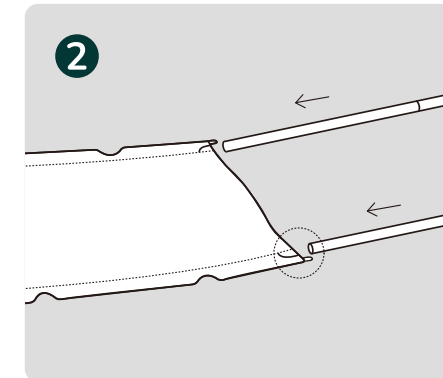


Remove the side rails from the pockets of the fabric top. Slide to separate and fold.

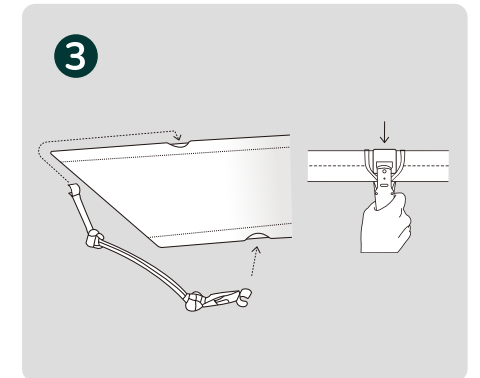
Set-Up Instructions



Unfold side rails and assemble.



Feed side rails through rod pockets on each side of the fabric top.



Unfold leg frames and click to secure. Attach leg frame brackets to side rails. Align all the tensioning levers on one side. Set the cot on its side, levers facing up, and apply pressure to lock the levers into position.

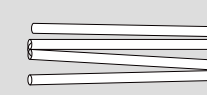
Precautions

Please ensure the frame sections snap onto the side bars securely and the feet are in place before use. Use the camp cot on a firm, level surface for stability.

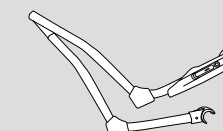
Package List



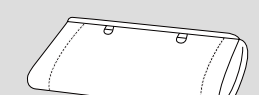
Storage Bag*1



Side Rail*2



Leg Frame*3



Fabric Top*1