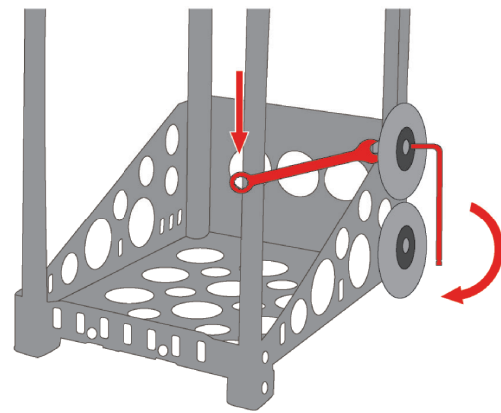




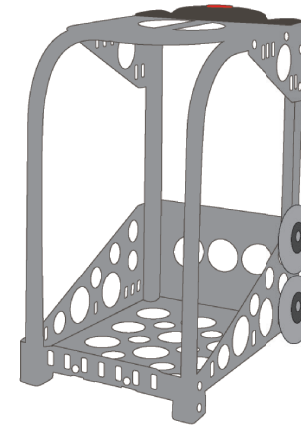
STEP 3 Tightening the bolt to the frame



Tighten the bolt:
Use the 13mm combination wrench to firmly hold the lock nut. With your other hand, insert the 5mm Allen wrench into the bolt head and turn clockwise.

Congrats!

You've successfully replaced your ZUCA wheel. Repeat steps 1, 2 and 3 for the other wheel if necessary.



Test out your new wheels. If they don't turn, try loosening the bolt a bit. If they are wobbly, try tightening the bolt.

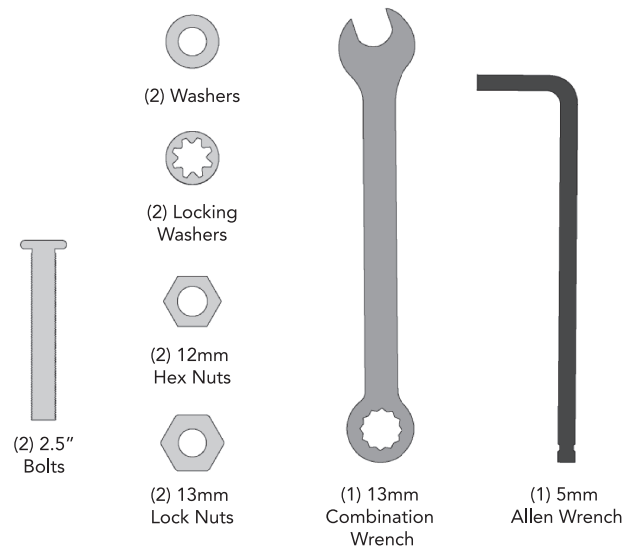
Do not tighten flashing wheels too tight – it will crack the magnet.



ZUCA®
Wheel + Axle
REPAIR MANUAL

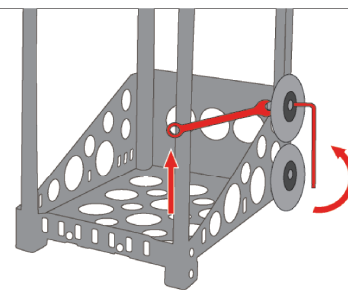
© 2020 ZUCA, Inc. All Rights Reserved.

WHEEL + AXLE KIT INCLUDES:



STEP 1 Removing the broken wheel

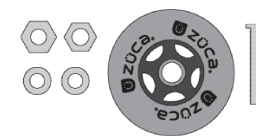
Stop! Before you do anything else, remove the Insert from the frame. This will make the repair easier.



Remove the broken wheel:
Use the 13mm combination wrench to firmly hold the lock nut. With your other hand, insert the 5mm Allen wrench into the bolt head and turn counterclockwise. Then separate the bolt and wheel from the frame. You can discard the old hardware after you've removed it. You won't need it anymore.

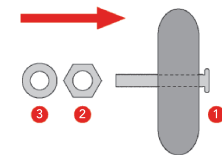
STEP 2 Attaching the new wheel

Gather all the hardware from your repair kit.



For each wheel replacement, you will need: (1) new wheel, (1) 2.5" bolt, (1) 12mm hex nut, (1) 13mm lock nut, and (2) washers.

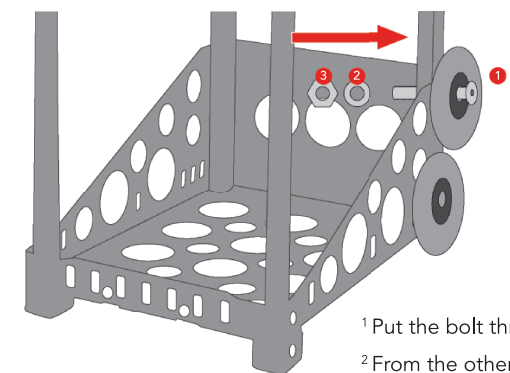
Assemble the wheel, bolt, and 12mm nut:



¹ Insert a 2.5" bolt through the new wheel.
² Thread a 12mm hex nut onto the bolt and hand tighten.
³ Slide a locking washer onto the bolt.

STEP 2 (continued)

Attach the wheel to the frame



¹ Put the bolt through the frame.
² From the other side of the frame, slide a flat washer onto the bolt.
³ Thread a 13mm lock nut onto the bolt.

(Instructions continue on other side)