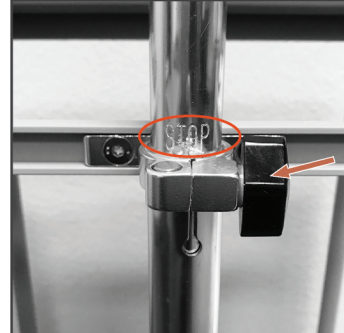


Part III. Adjust the Pole Handle

1. Pull the Pole Handle out completely from the frame by loosening the lower clamp.



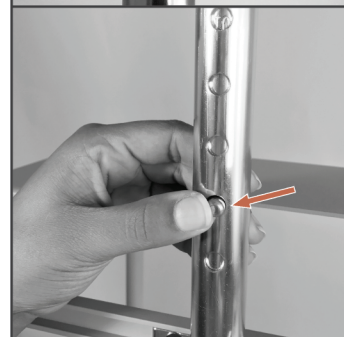
2. Reattach the Pole Handle to adjust the height. Slide the handle to your desired height but do not pass the STOP indicator. Tighten the lower clamp to secure.



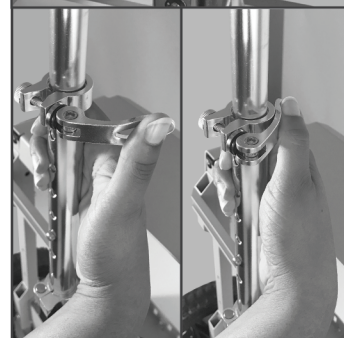
3. Release the top clamp.



4. Push the button locks to adjust the pole height up or down.



5. Lock down the upper clamp. Your Backpack Cart Assembly is now complete!



Backpack Cart

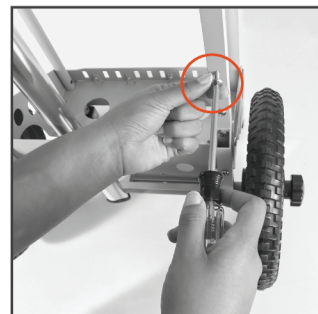
ASSEMBLY INSTRUCTIONS



Backpack Cart ASSEMBLY INSTRUCTIONS

Part I. Attach the Bottle Holder

1. Remove screws from frame and set aside.



2. Attach both cup holders with the screws from the frame.



3. Adjust the cupholder to your desired position. Squeeze the holder as shown and turn the adjustment screw to expand the holder. This part is now complete.



Part II. Attach the Wheel and Axle

1. Remove one axel knob and thread one wheel through the axle.



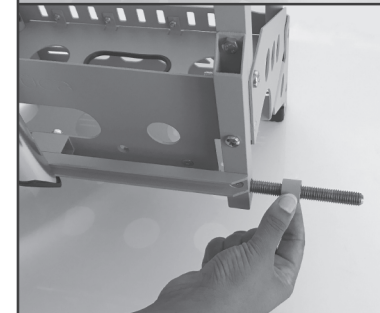
2. Thread a spacer through the axle.



3. Push the axle through the bag frame as far as it will go.



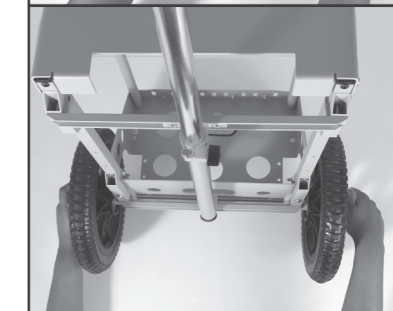
4. Thread the second spacer through the end of the axle.



5. Thread the second wheel through the other end of the axle.



6. Tighten the axle knob by holding both knobs and turning in opposite directions. (see Axle Knob Tip). Once tightened, test out the rotation of the wheels to inspect for equal fluid motion. Repeat if necessary.



Axle Knob Tip

Look for a small bolt hole on the side of the axle knob. Insert the 2.5mm Allen wrench (included) into the bolt hole and firmly turn into place. Repeated over-tightening or tugging will strip the bolt hole. Please turn with care.

Instructions continued on next page.